



US00D825120S

(12) **United States Design Patent** (10) **Patent No.:** **US D825,120 S**
Daniels et al. (45) **Date of Patent:** **** Aug. 7, 2018**

(54) **FLOOR CLEANING MACHINE** 3,013,288 A 12/1961 Lappin
3,024,484 A 3/1962 Wallace
D212,859 S 12/1968 Descarries et al.
D219,348 S 12/1970 Anderson
4,380,844 A * 4/1983 Waldhauser A47L 11/30
15/320

(71) Applicants: **Micha Daniels**, Sulzbach (DE);
Alexander Erdwiens, Darmstadt (DE) D289,933 S 5/1987 Berfield et al.
D290,054 S * 5/1987 Block D32/15
D297,778 S 9/1988 Lallerstedt
D341,913 S 11/1993 Swan
D425,268 S 5/2000 Morokutti
D570,560 S 6/2008 Dammkoehler et al.
D593,717 S * 6/2009 Vernazza D32/16
D619,312 S 7/2010 Rodenkirch et al.
D642,343 S * 7/2011 Dammkoehler D32/16
D659,308 S * 5/2012 Dammkoehler D32/16
D661,853 S * 6/2012 Dammkoehler D32/16
D693,071 S * 11/2013 Dammkoehler D32/16
D694,969 S * 12/2013 Dammkoehler D32/16
D712,605 S * 9/2014 Dammkoehler D32/21
D734,573 S * 7/2015 Dammkoehler D32/16
D737,005 S * 8/2015 Dammkoehler D32/16

(72) Inventors: **Micha Daniels**, Sulzbach (DE);
Alexander Erdwiens, Darmstadt (DE)

(73) Assignee: **HAWIG MASCHINENFABRIK
GESELLSCHAFT MIT
BESCHRAENKTER HAFTUNG**,
Bensheim (DE)

(**) Term: **15 Years**

(21) Appl. No.: **29/578,405**

(22) Filed: **Sep. 21, 2016**

(30) **Foreign Application Priority Data**

Mar. 23, 2016 (EM) 003040070

(51) **LOC (11) Cl.** **15-05**

(52) **U.S. Cl.**
USPC **D32/16**

(58) **Field of Classification Search**
USPC D32/15, 22, 20, 34, 31, 50, 25, 51, 38;
D4/137
CPC A47L 9/2857; A47L 9/02; A47L 13/146;
A47L 13/12; A47L 13/20
See application file for complete search history.

(56) **References Cited**

U.S. PATENT DOCUMENTS

1,961,384 A 6/1934 Oelmann
D142,416 S 9/1945 Holt
D112,595 S 3/1951 Theis et al.
D170,176 S 8/1953 Verhagen
D180,430 S 6/1957 Verhagen
D191,097 S 8/1961 Reed et al.

(Continued)

Primary Examiner — Michelle E Wilson
(74) *Attorney, Agent, or Firm* — Flynn, Thiel, Boutell & Tanis, P.C.

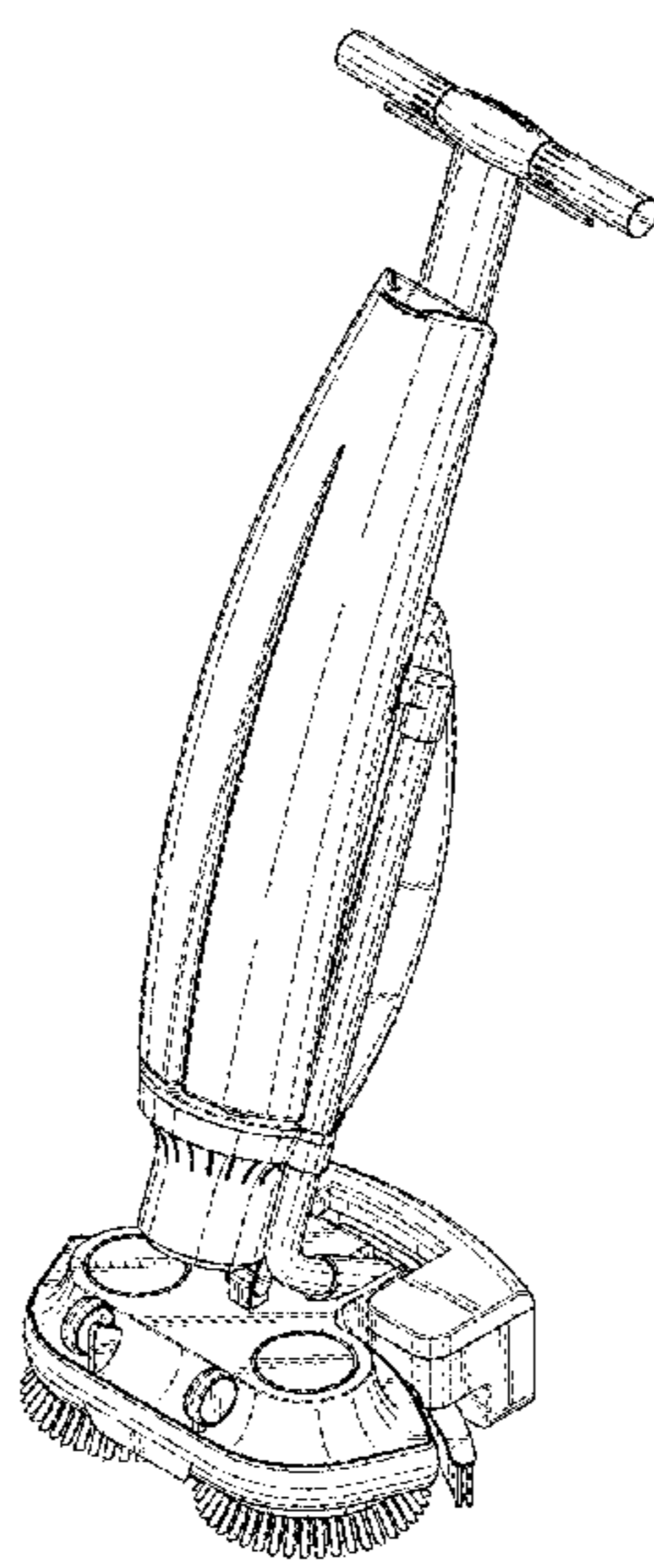
(57) **CLAIM**

The ornamental design for a floor cleaning machine, as shown and described.

DESCRIPTION

FIG. 1 is a front perspective view of a floor cleaning machine showing our new design;
FIG. 2 is a front view thereof;
FIG. 3 is a rear view thereof;
FIG. 4 is a right side view thereof;
FIG. 5 is a left side view thereof;
FIG. 6 is a top view thereof;
FIG. 7 is a bottom view thereof; and,
FIG. 8 is a rear perspective view thereof.

1 Claim, 8 Drawing Sheets



(56)

References Cited

U.S. PATENT DOCUMENTS

D750,856 S	3/2016	De Smedt	
2005/0081319 A1*	4/2005	Legatt	A47L 11/03 15/320
2005/0091783 A1*	5/2005	Sepke	A47L 9/0483 15/320
2006/0185113 A1*	8/2006	Kloeppe	A47L 11/03 15/320
2008/0104792 A1*	5/2008	Coccapani	A47L 11/30 15/320
2011/0030163 A1*	2/2011	Tucker	A47L 11/305 15/320
2011/0132402 A1*	6/2011	Ickes, III	A47L 11/40 134/18
2012/0317746 A1*	12/2012	Hill	A47L 11/302 15/320
2013/0047353 A1*	2/2013	Windmeisser	A47L 11/302 15/3
2014/0026336 A1*	1/2014	Maurer	A47L 11/4091 15/3
2014/0144467 A1*	5/2014	Merz	A47L 11/4055 134/6
2016/0073845 A1*	3/2016	Walz	A47L 11/305 134/18
2016/0278598 A1*	9/2016	Werner	A47L 11/2025

* cited by examiner

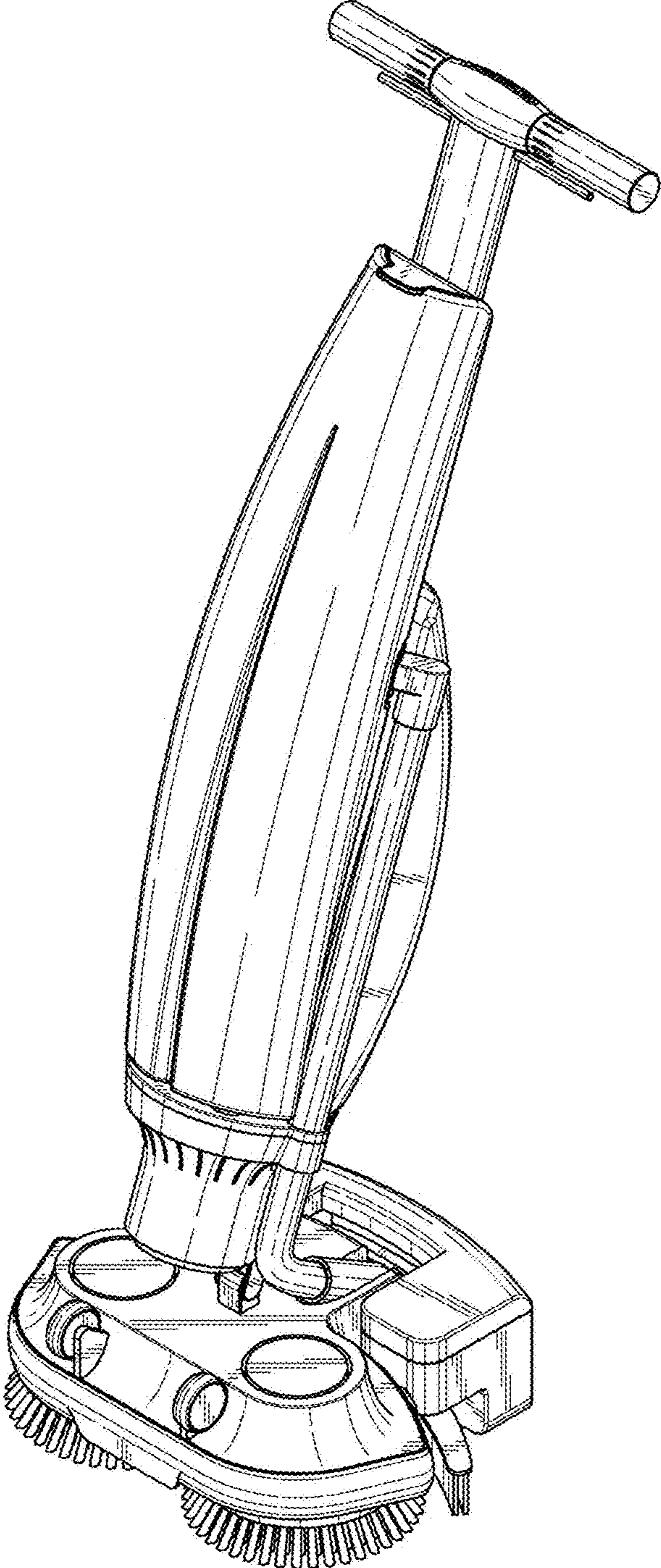


FIG. 1

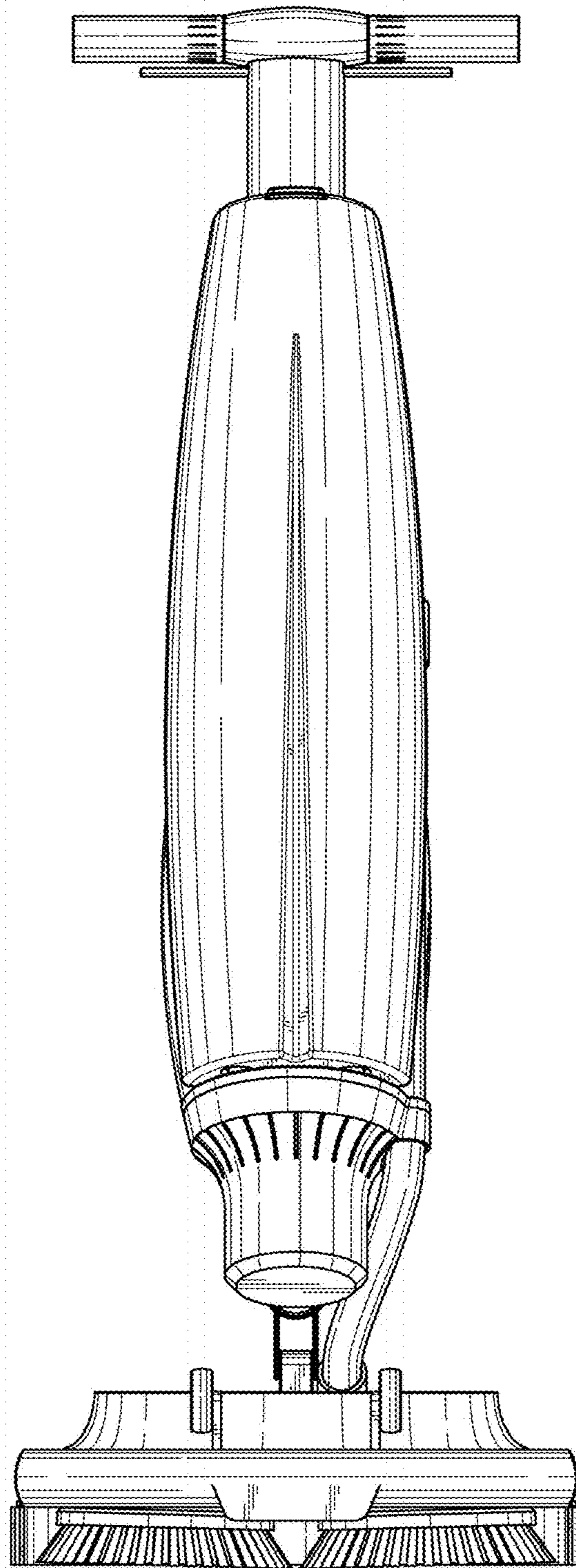


FIG. 2

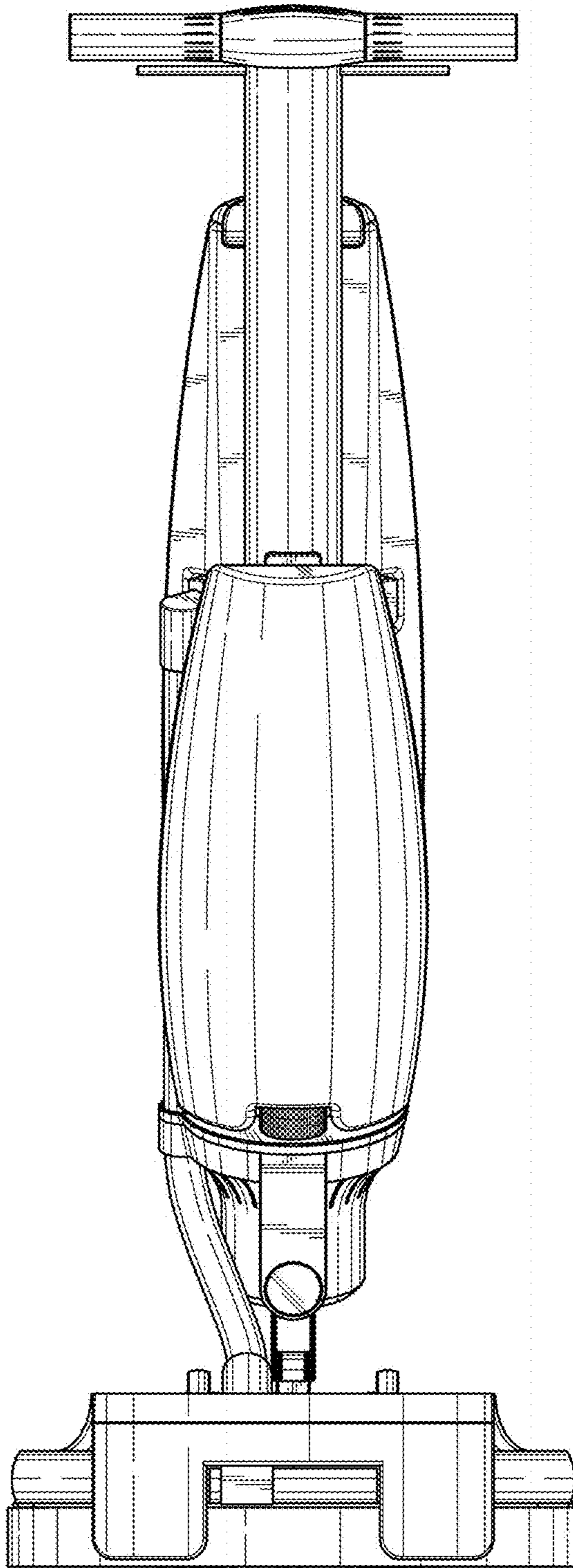


FIG. 3

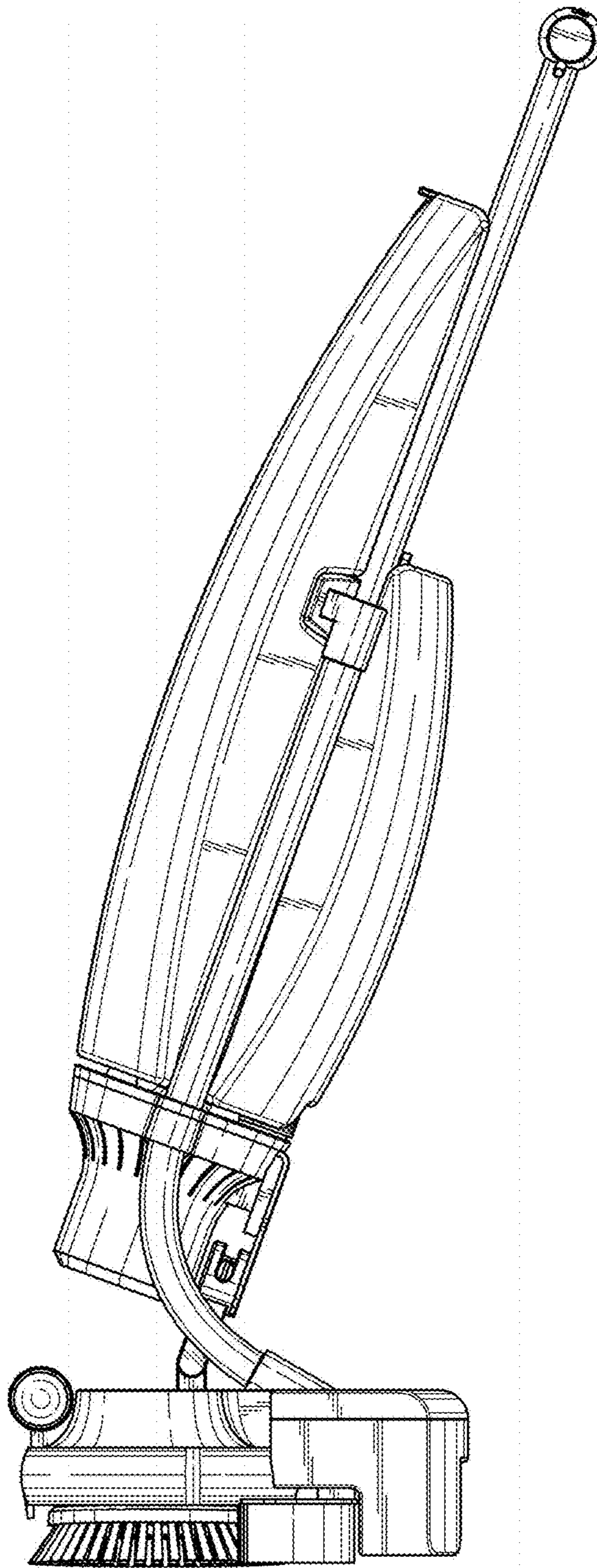


FIG. 4

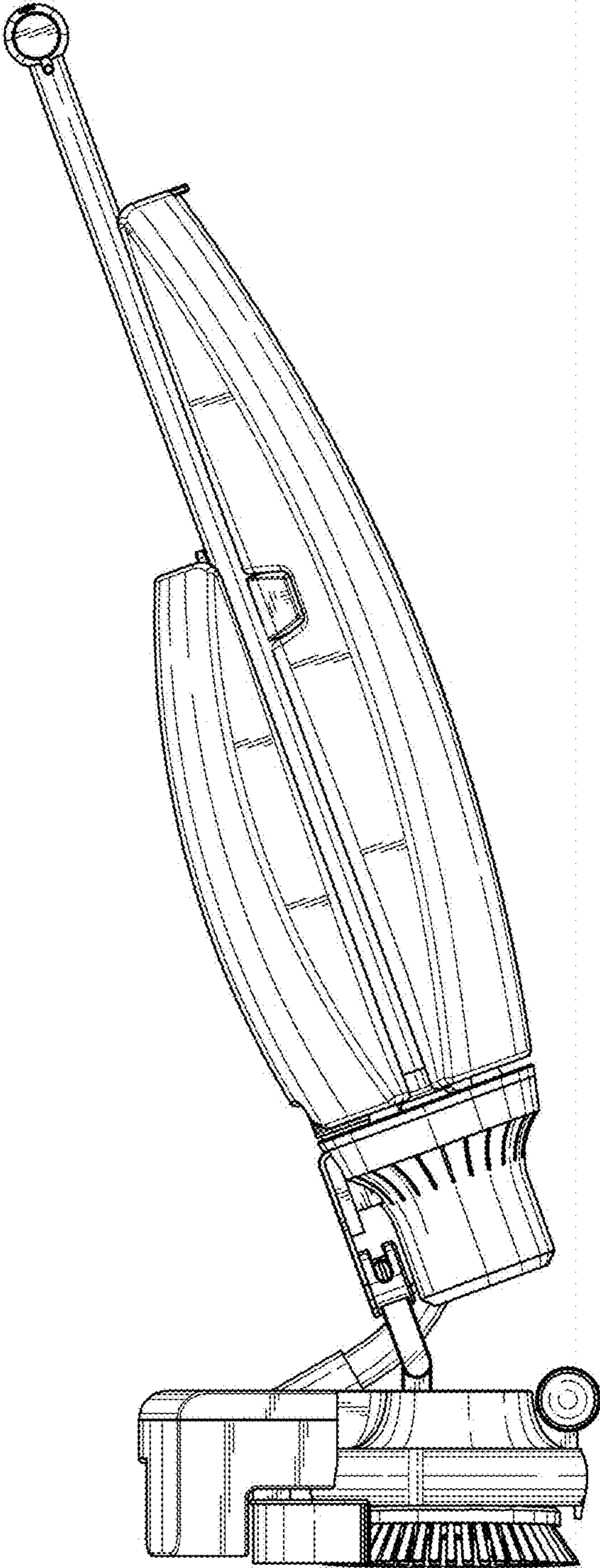


FIG. 5

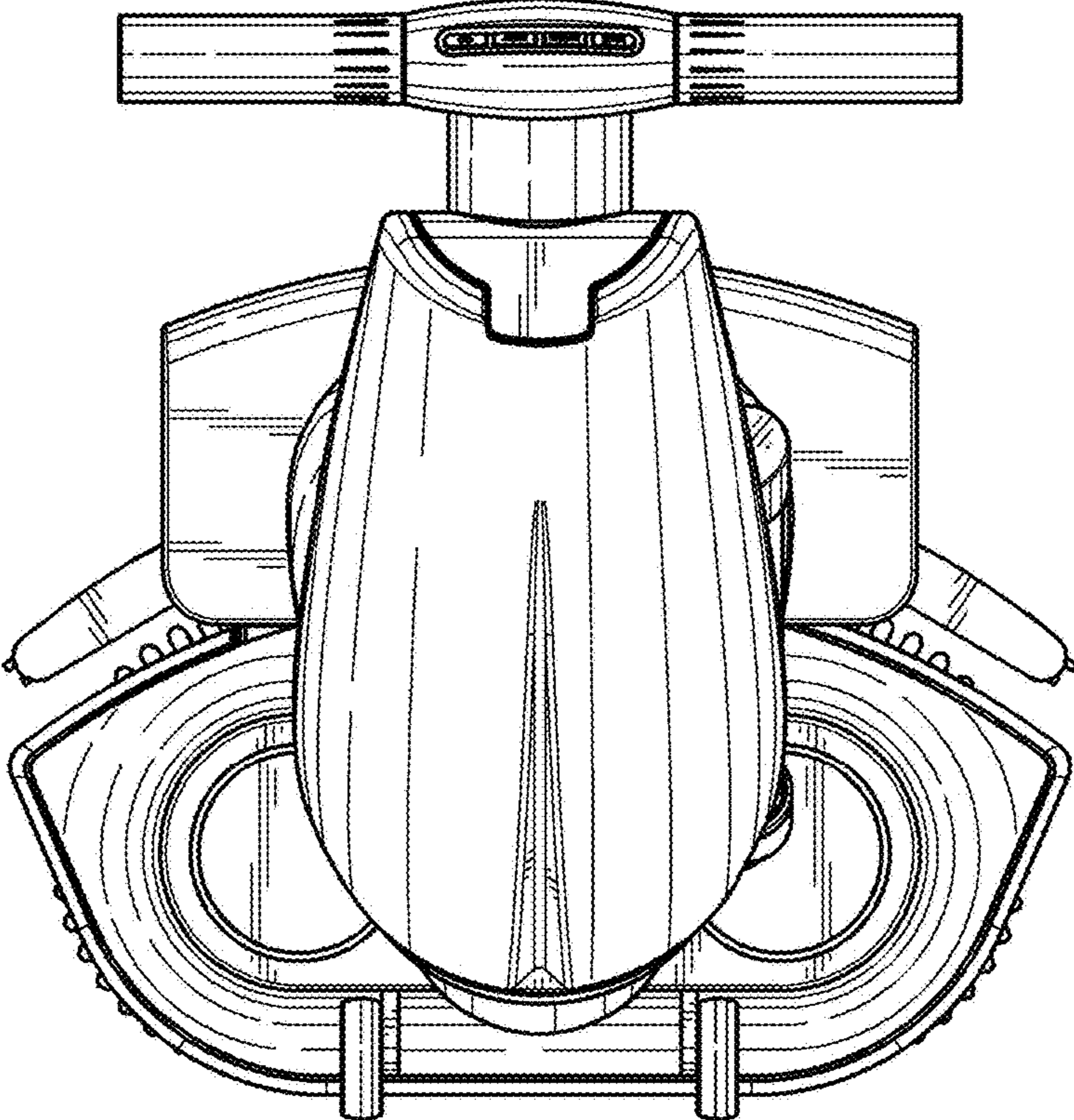


FIG. 6

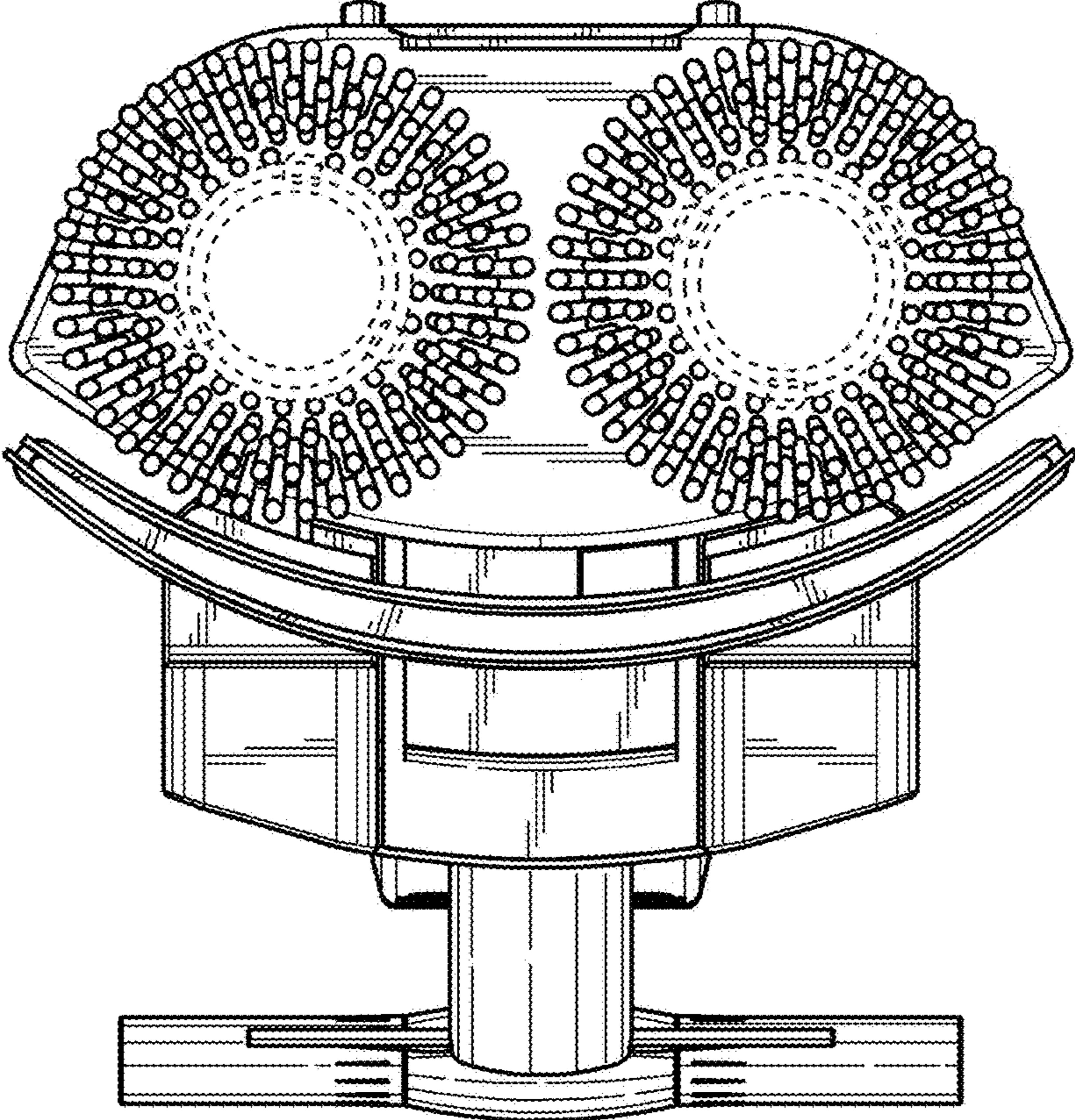


FIG. 7

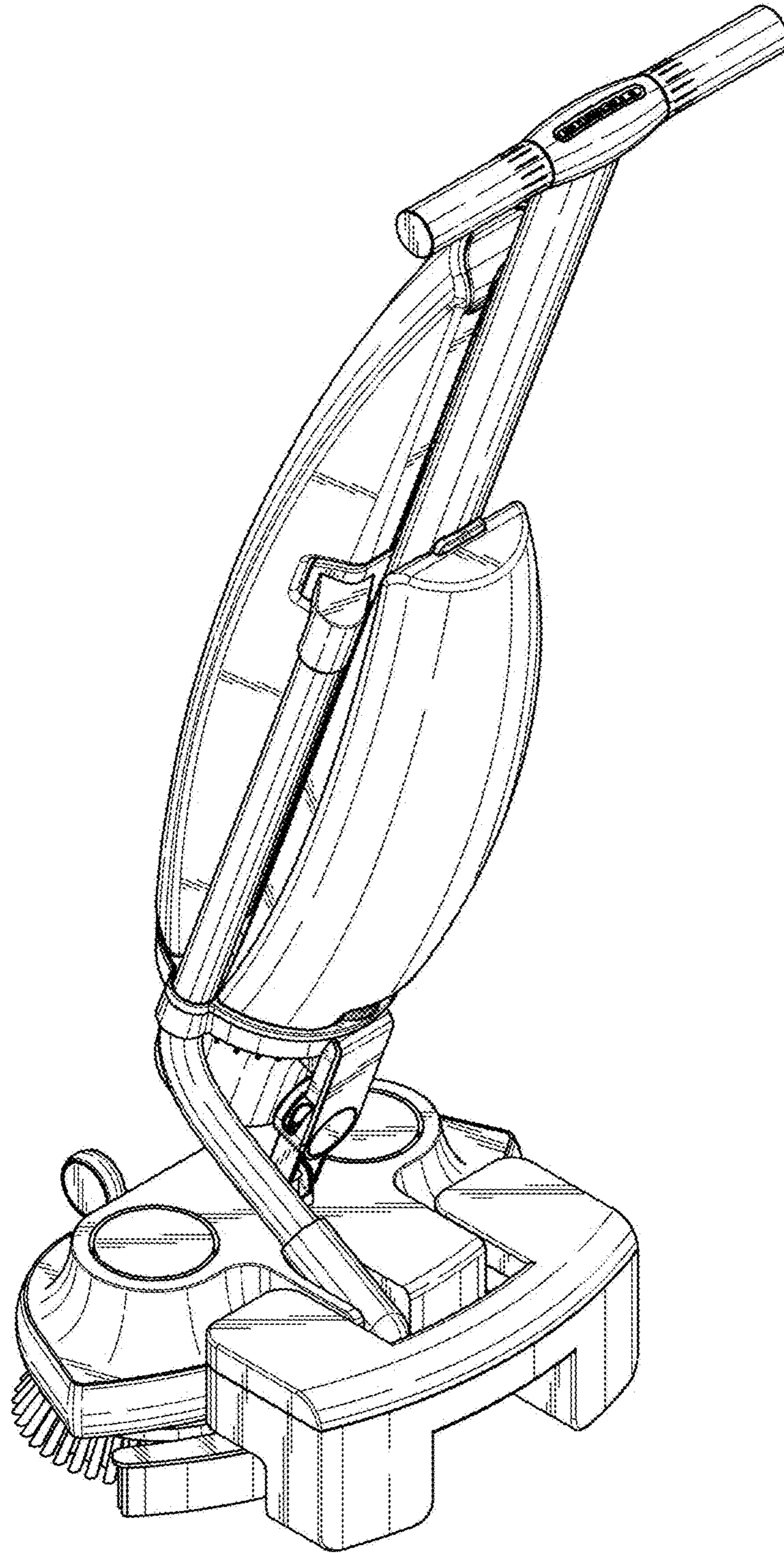


FIG. 8