

US00D825119S

(12) **United States Design Patent** (10) **Patent No.:** **US D825,119 S**
Wells (45) **Date of Patent:** **** Aug. 7, 2018**

(54) **VIBRATING CLEANER**
(71) Applicant: **Todd C. Wells**, Pomona, CA (US)
(72) Inventor: **Todd C. Wells**, Pomona, CA (US)
(**) Term: **15 Years**

3,595,532 A * 7/1971 Doyle B08B 3/12
366/111
3,640,295 A * 2/1972 Peterson A61L 2/025
134/1
4,111,545 A * 9/1978 Meltzer G03G 21/0029
15/256.53
4,114,194 A * 9/1978 Walter A47L 15/13
310/318

(Continued)

(21) Appl. No.: **29/579,132**

(22) Filed: **Sep. 28, 2016**

(51) **LOC (11) Cl.** **15-05**

(52) **U.S. Cl.**
USPC **D32/1**

(58) **Field of Classification Search**
USPC D32/1, 15, 16, 25; D7/605, 619.1;
D3/218, 272, 273, 276, 29, 321, 279-81,
D3/905; D24/185-187, 217; D13/169,
D13/131, 162, 174, 176
CPC B08B 3/12; B06B 1/0253; B06B 1/0276;
B06B 1/0261; B63B 59/08; B01D 33/03;
A61C 17/20; A47L 13/10; A47L 15/13;
A61L 2/025; G21F 9/28; G01N 21/15;
G03G 21/0029; F22B 37/483

See application file for complete search history.

(56) **References Cited**

U.S. PATENT DOCUMENTS

2,896,648 A * 7/1959 Lazarus B08B 3/12
134/1
3,007,478 A * 11/1961 Leonhardt A61L 2/025
134/1
3,180,626 A * 4/1965 Mettler B08B 3/12
134/184
3,403,245 A * 9/1968 Eaton B08B 3/12
134/1
3,480,258 A * 11/1969 Massa B08B 3/12
366/111
3,516,645 A * 6/1970 Franklin B06B 1/0261
310/316.01
3,584,244 A * 6/1971 Vest B06B 1/0253
310/316.01

OTHER PUBLICATIONS

<https://www.constructionequipment.com/ultrasonic-3200fa-cleaner-features-55-gallon-main-tank-capacity> May 29, 2018
Accessed.*

(Continued)

Primary Examiner — Michelle E. Wilson
(74) *Attorney, Agent, or Firm* — Dunlap Bennett & Ludwig PLLC

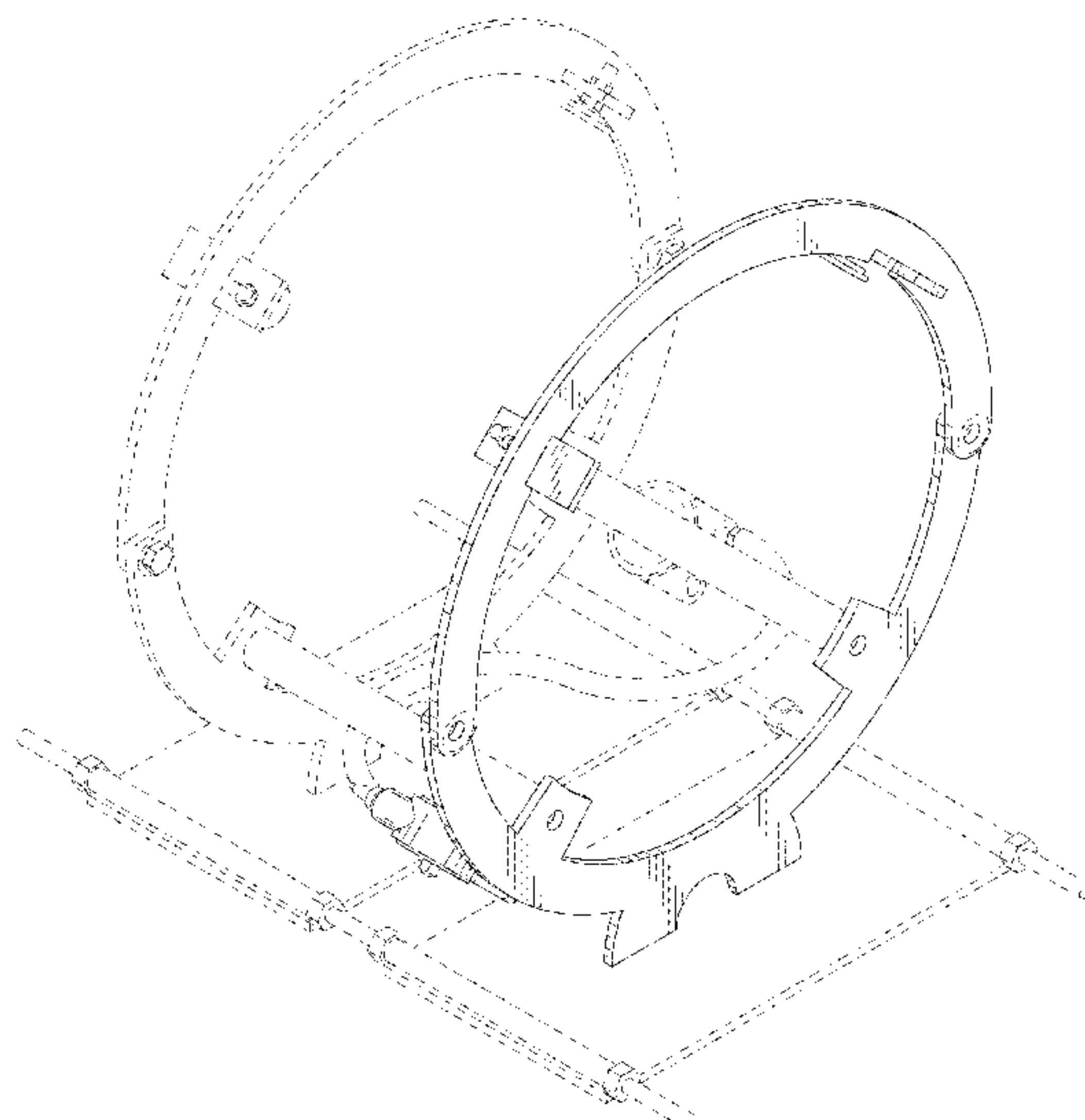
(57) **CLAIM**

The ornamental design for a vibrating cleaner, as shown and described.

DESCRIPTION

FIG. 1 is a front perspective view of a vibrating cleaner, shown in use;
FIG. 2 is a front perspective view thereof;
FIG. 3 is a left elevation view thereof;
FIG. 4 is a right elevation view thereof;
FIG. 5 is a front elevation view thereof;
FIG. 6 is a rear elevation view thereof;
FIG. 7 is a top plan view thereof; and,
FIG. 8 is a bottom plan view thereof.
The broken lines shown only in FIG. 1 of a supporting surface depicts environmental subject matter that forms no part of the claimed design, while the remaining broken lines shown in the drawings depict portions of the vibrating cleaner that form no part of the claimed design.

1 Claim, 4 Drawing Sheets



(56)

References Cited

U.S. PATENT DOCUMENTS

4,320,528 A * 3/1982 Scharton F22B 37/483
134/1
D266,794 S * 11/1982 Puskas D32/1
4,442,852 A * 4/1984 Lord B08B 3/12
134/135
D300,677 S * 4/1989 Van Hoyer D32/1
D307,653 S * 5/1990 Weirsmann D32/1
D307,654 S * 5/1990 Weirsmann D32/1
D315,039 S * 2/1991 Wortham D32/1
D315,815 S * 3/1991 Miller D32/1
D321,564 S * 11/1991 Miller D24/217
5,109,174 A * 4/1992 Shewell B06B 1/0276
310/316.01
6,259,653 B1 * 7/2001 Courson B63B 59/08
114/222
6,564,711 B1 * 5/2003 Meyer G03G 21/0029
101/423
6,644,327 B1 * 11/2003 Mitsumori B08B 3/12
134/1
D593,262 S * 5/2009 Gong D24/217
D631,620 S * 1/2011 Choi D32/1
D633,260 S * 2/2011 Choi D32/1
D633,663 S * 3/2011 Choi D32/1
D685,540 S * 7/2013 Yao D32/1
D748,872 S * 2/2016 Yao D32/1
D778,004 S * 1/2017 Yao D32/1
D778,005 S * 1/2017 Yao D32/1

D781,509 S * 3/2017 Yao D32/1
2002/0195120 A1 * 12/2002 Pfeifer B08B 3/12
134/1
2004/0099294 A1 * 5/2004 Gross G21F 9/28
134/169 R
2004/0250844 A1 * 12/2004 Kumazaki A47L 13/00
134/201
2005/0077190 A1 * 4/2005 Djordjevic B08B 3/12
205/705
2005/0120756 A1 * 6/2005 Mah A47L 13/10
68/3 SS
2007/0267039 A1 * 11/2007 Sullivan B08B 3/12
134/1
2009/0308416 A1 * 12/2009 Utz B08B 3/12
134/115 R
2015/0174621 A1 * 6/2015 Zhao B08B 3/12
118/302
2015/0335410 A1 * 11/2015 Zhao A61C 17/20
433/86
2016/0146721 A1 * 5/2016 Ji G01N 21/15
134/1
2016/0340203 A1 * 11/2016 Davis B01D 33/03
2017/0036251 A1 * 2/2017 Sato B08B 3/12

OTHER PUBLICATIONS

<https://omegasonics.com/ultrasonic-cleaners.shtml> May 29, 2018
Accessed.*

* cited by examiner

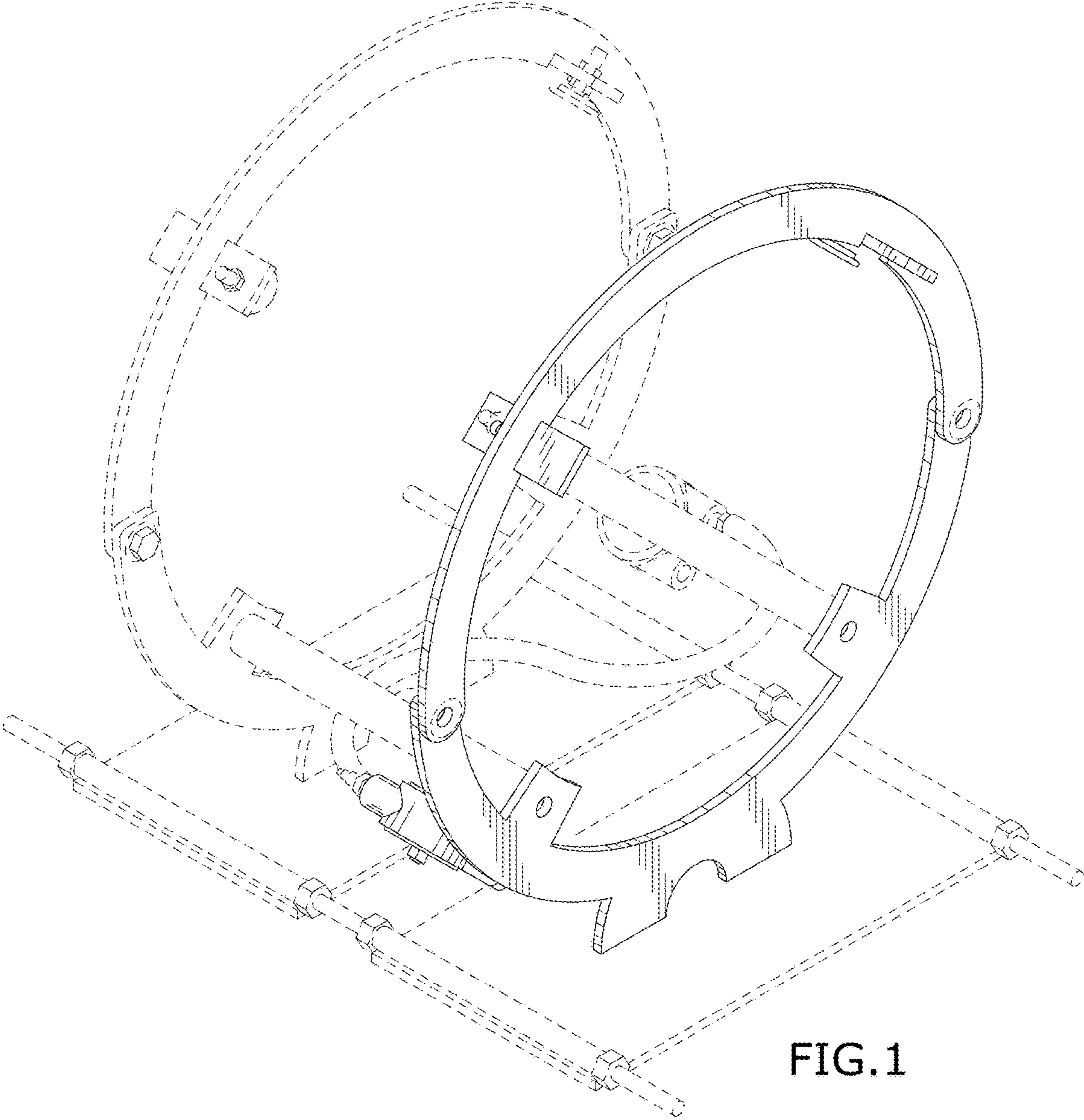


FIG.1

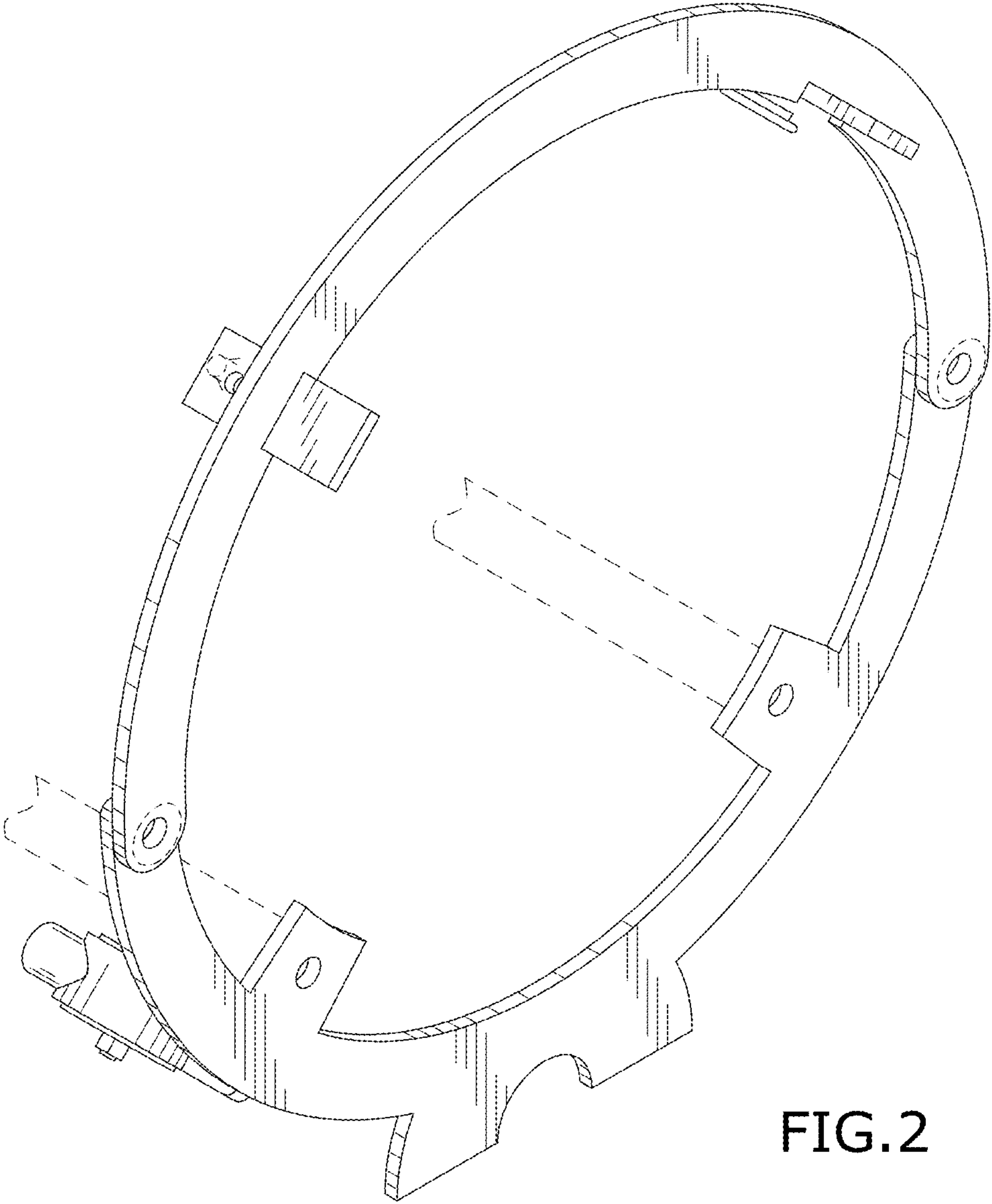


FIG.2

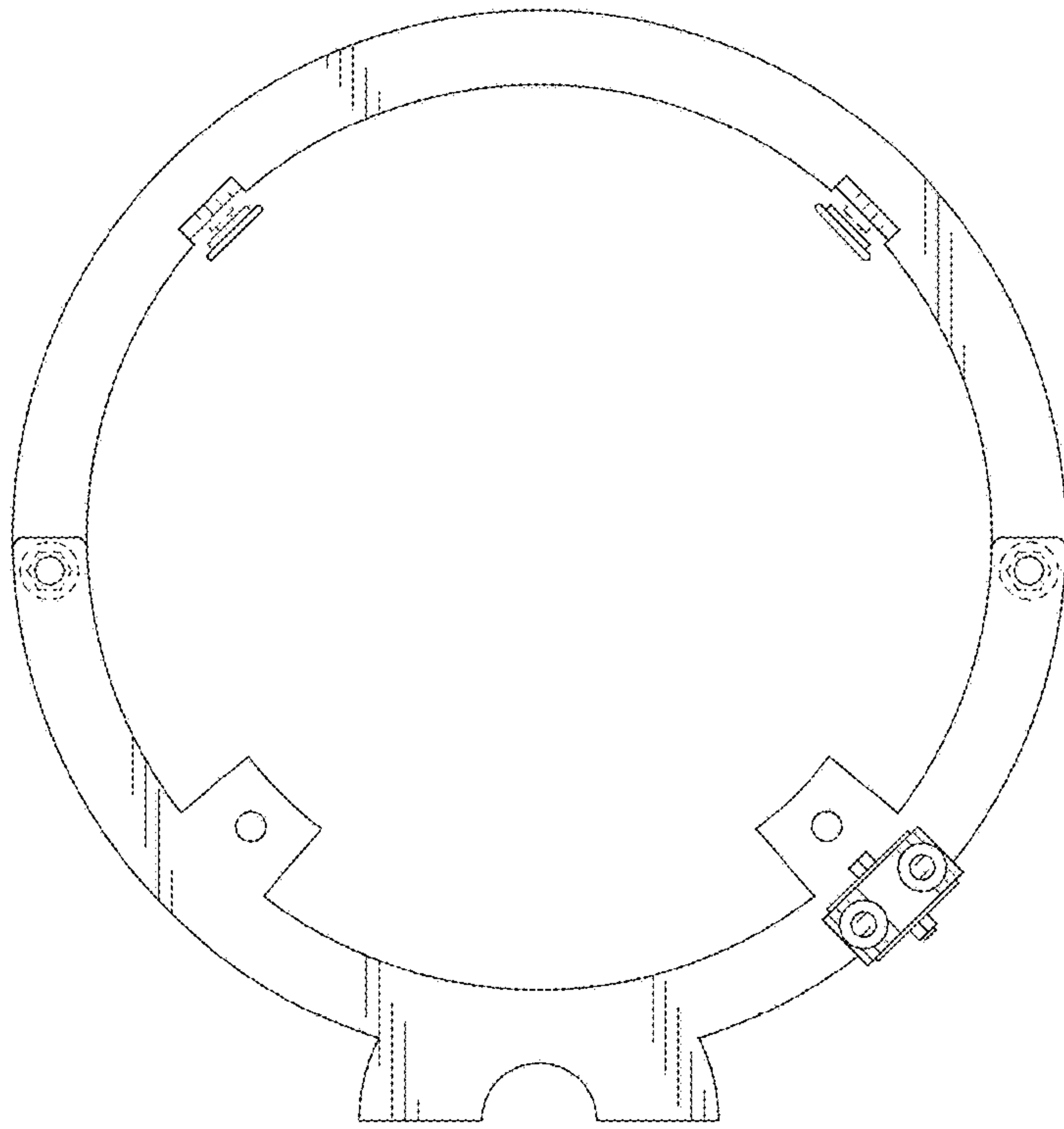


FIG. 3

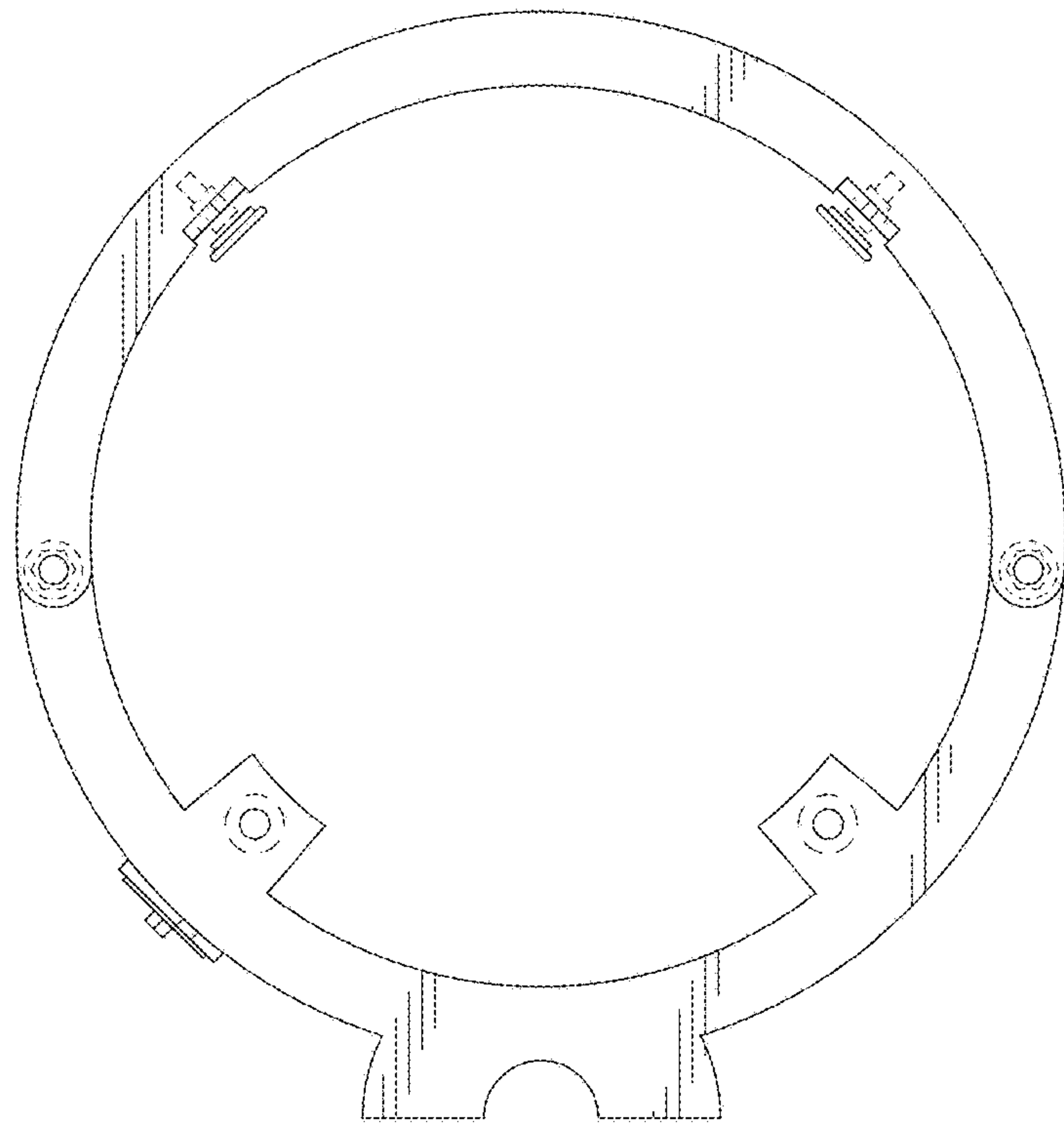


FIG. 4

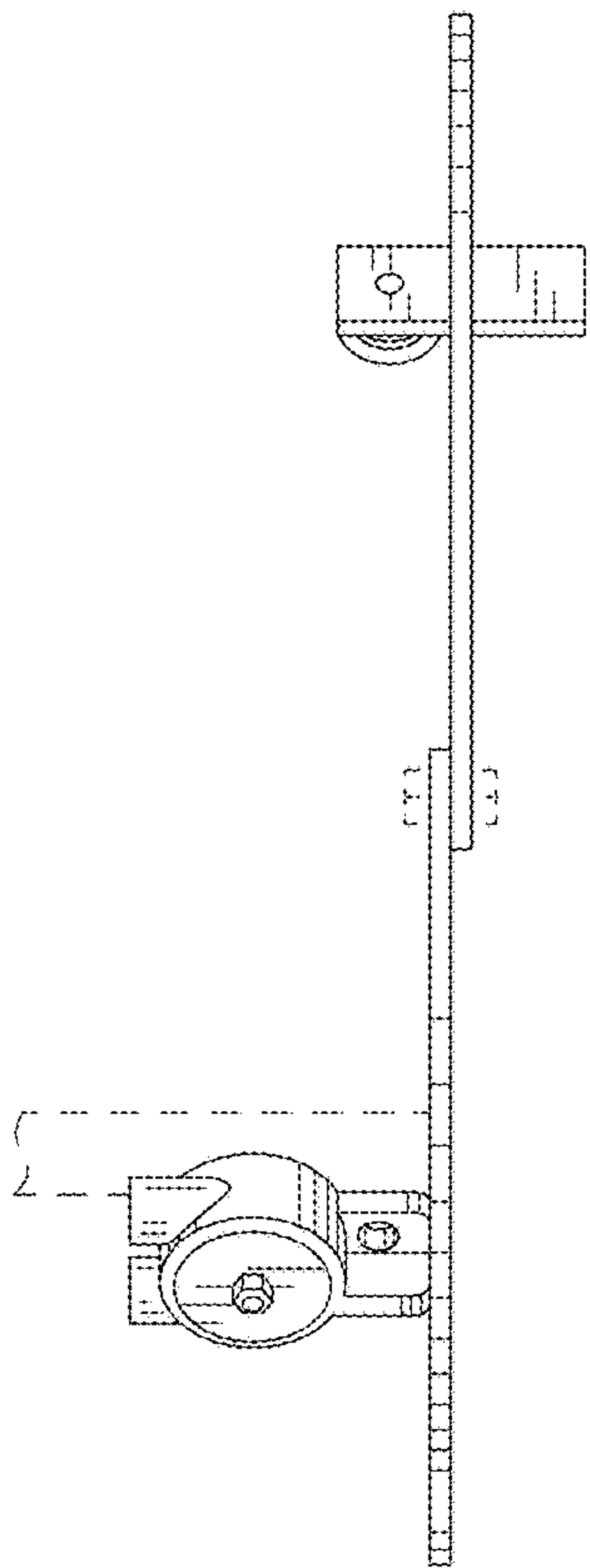


FIG. 5

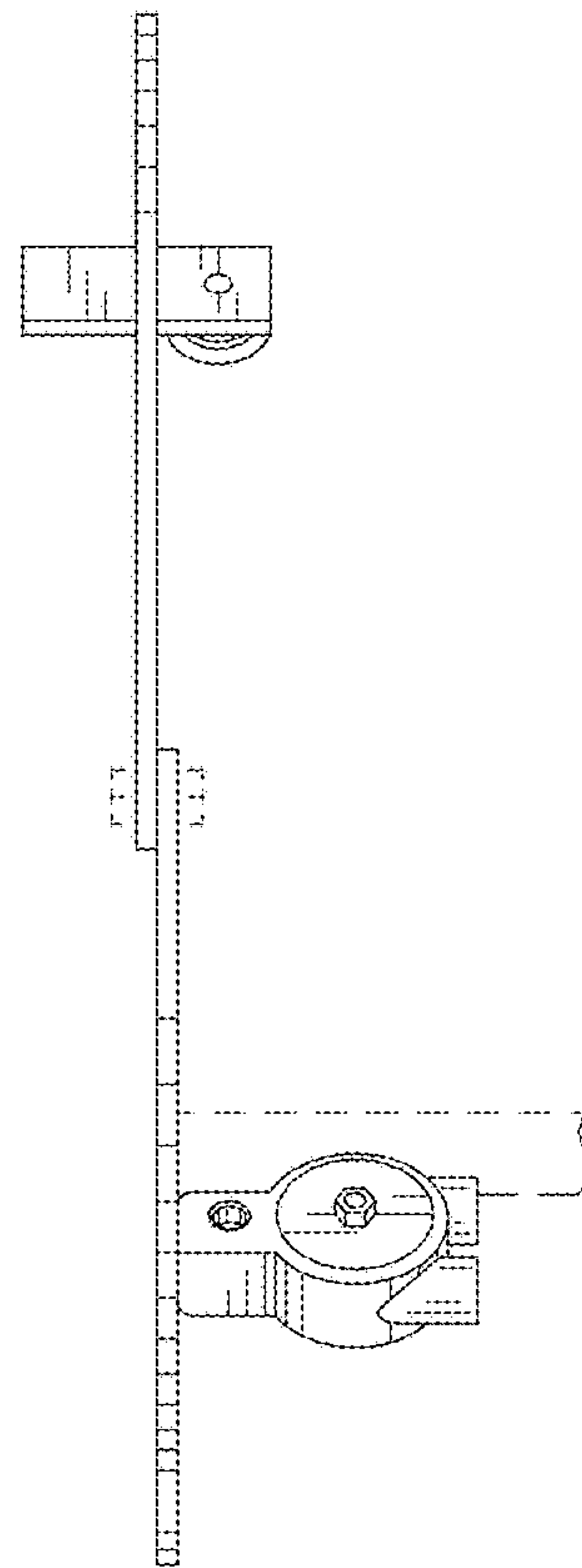


FIG. 6

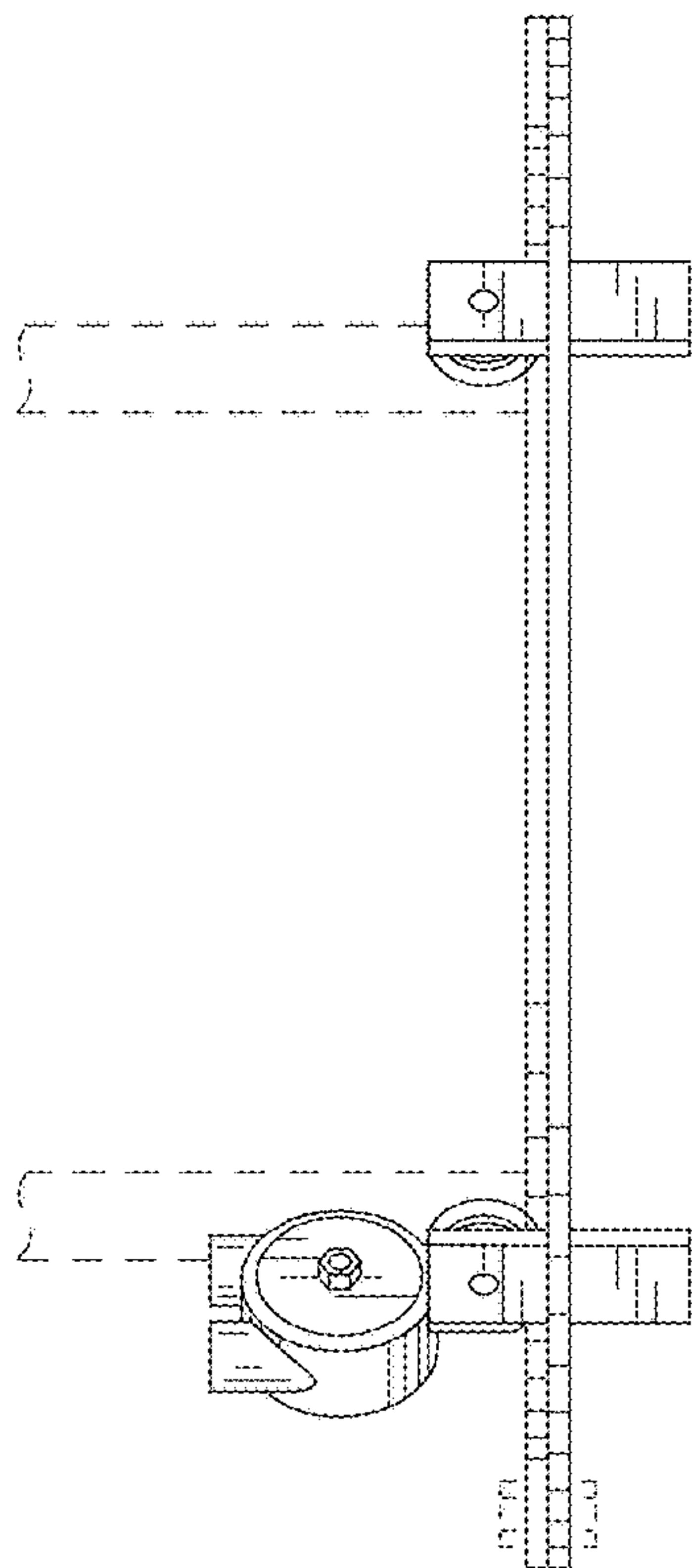


FIG. 7

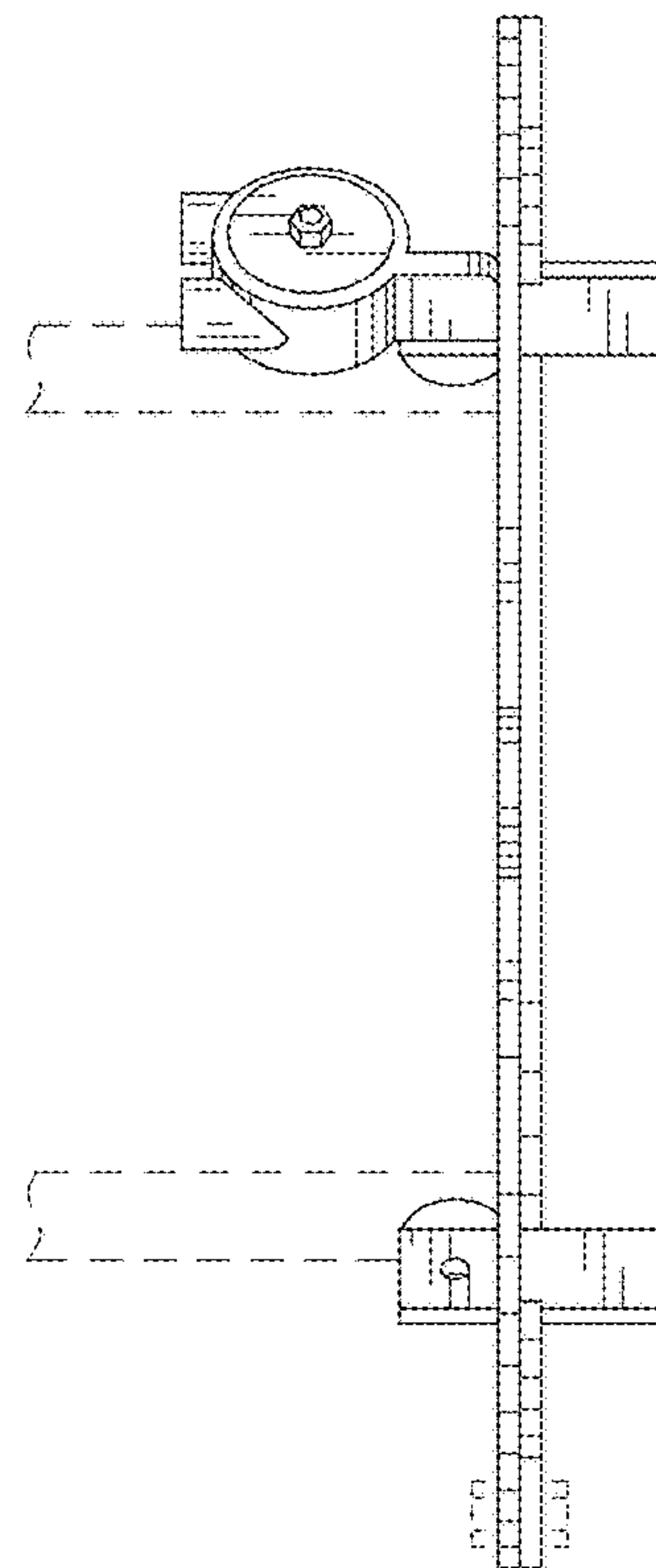


FIG. 8