



US00D825118S

(12) **United States Design Patent**
Zhang

(10) **Patent No.:** **US D825,118 S**

(45) **Date of Patent:** **** Aug. 7, 2018**

(54) **CAT SCRATCHER**

(71) Applicant: **TIANJIN QINGQUAN PET PRODUCTS CO., LTD.**, Tianjin (CN)

(72) Inventor: **Qinghai Zhang**, Tianjin (CN)

(**) Term: **15 Years**

(21) Appl. No.: **29/590,535**

(22) Filed: **Jan. 11, 2017**

(51) **LOC (11) Cl.** **30-99**

(52) **U.S. Cl.**

USPC **D30/160; D30/118**

(58) **Field of Classification Search**

USPC **D30/160, 118; D6/361; 119/28.5, 119/702-711**

CPC .. **A01K 15/024; A01K 15/025; A01K 15/026; A01K 1/035**

See application file for complete search history.

(56) **References Cited**

U.S. PATENT DOCUMENTS

D249,567 S * 9/1978 Madi D30/118
D627,113 S * 11/2010 Seliskar D30/160

D635,308 S * 3/2011 Northrop D30/160
D651,369 S * 12/2011 Seliskar D30/160
D688,053 S * 8/2013 Chiu D6/361
D688,054 S * 8/2013 Chiu D6/361
2017/0172108 A1* 6/2017 Long, Jr. A01K 15/024

* cited by examiner

Primary Examiner — Cathy Anne MacCormac

(74) *Attorney, Agent, or Firm* — Wayne & Ken, LLC;
Tony Hom

(57) **CLAIM**

The ornamental design for a cat scratcher, as shown and described.

DESCRIPTION

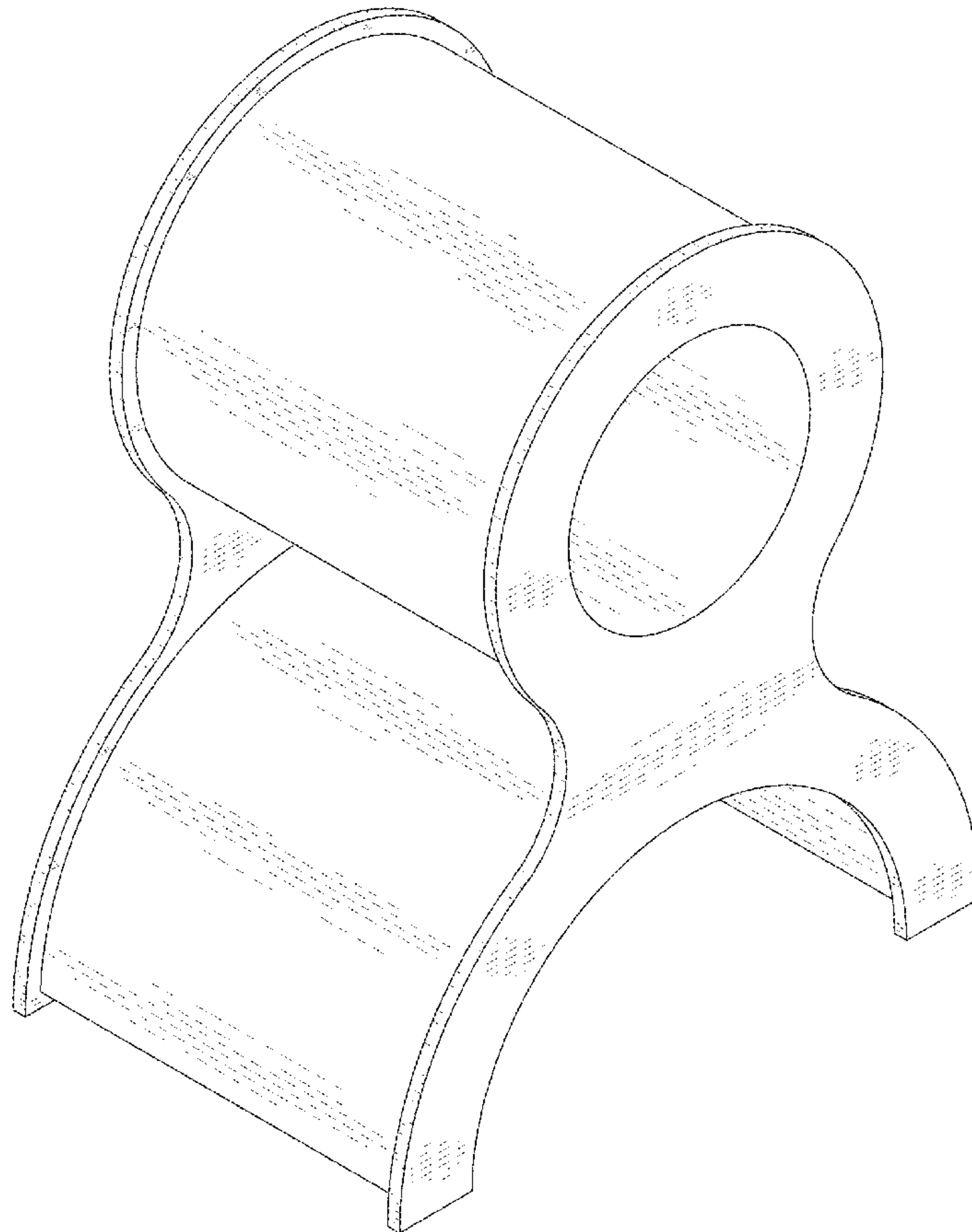
FIG. 1 is a top, front and left side perspective view showing my new design;

FIG. 2 is a front view thereof;

FIG. 3 is a left side view thereof; and,

FIG. 4 is a bottom plan view thereof.

1 Claim, 4 Drawing Sheets



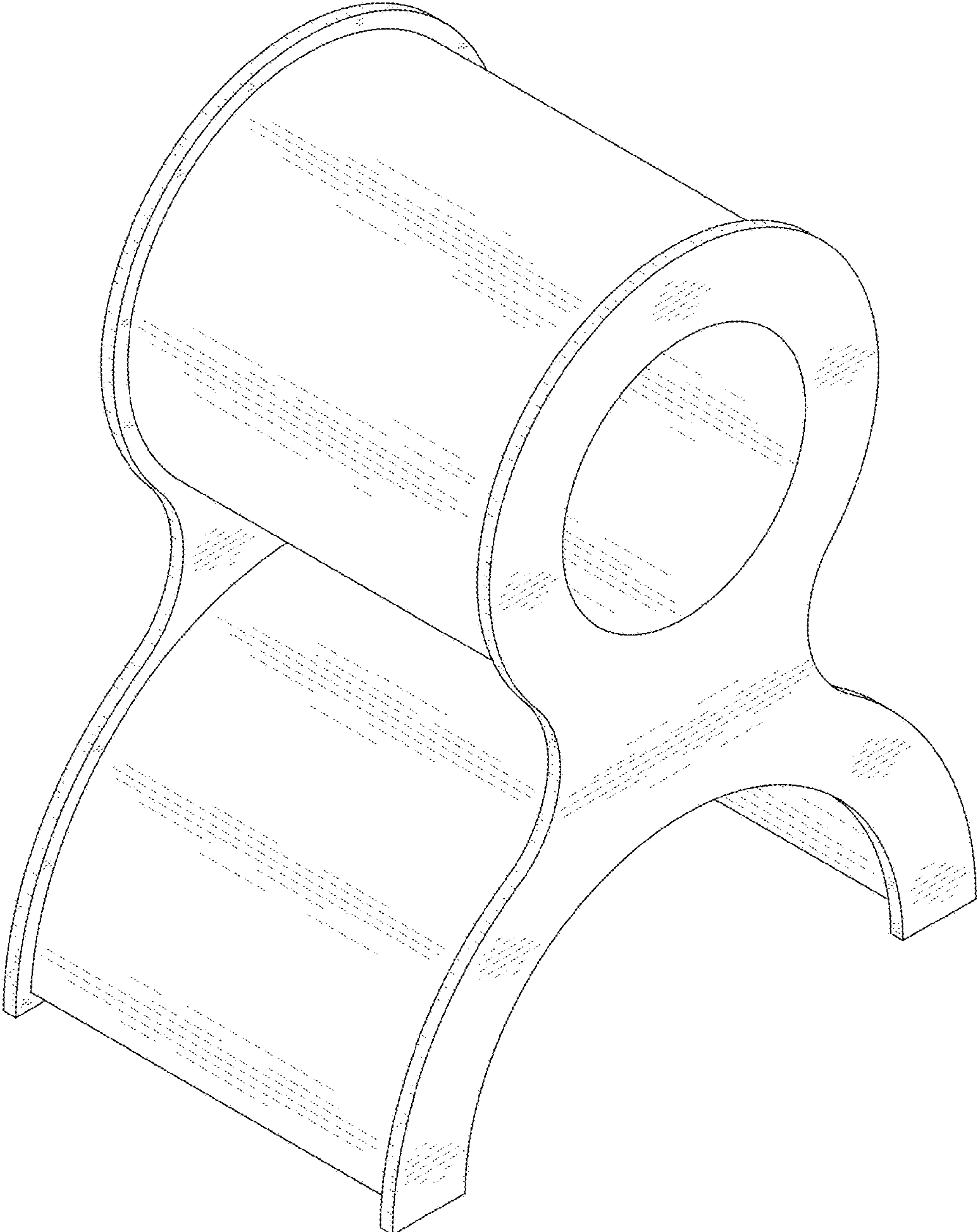


Fig. 1

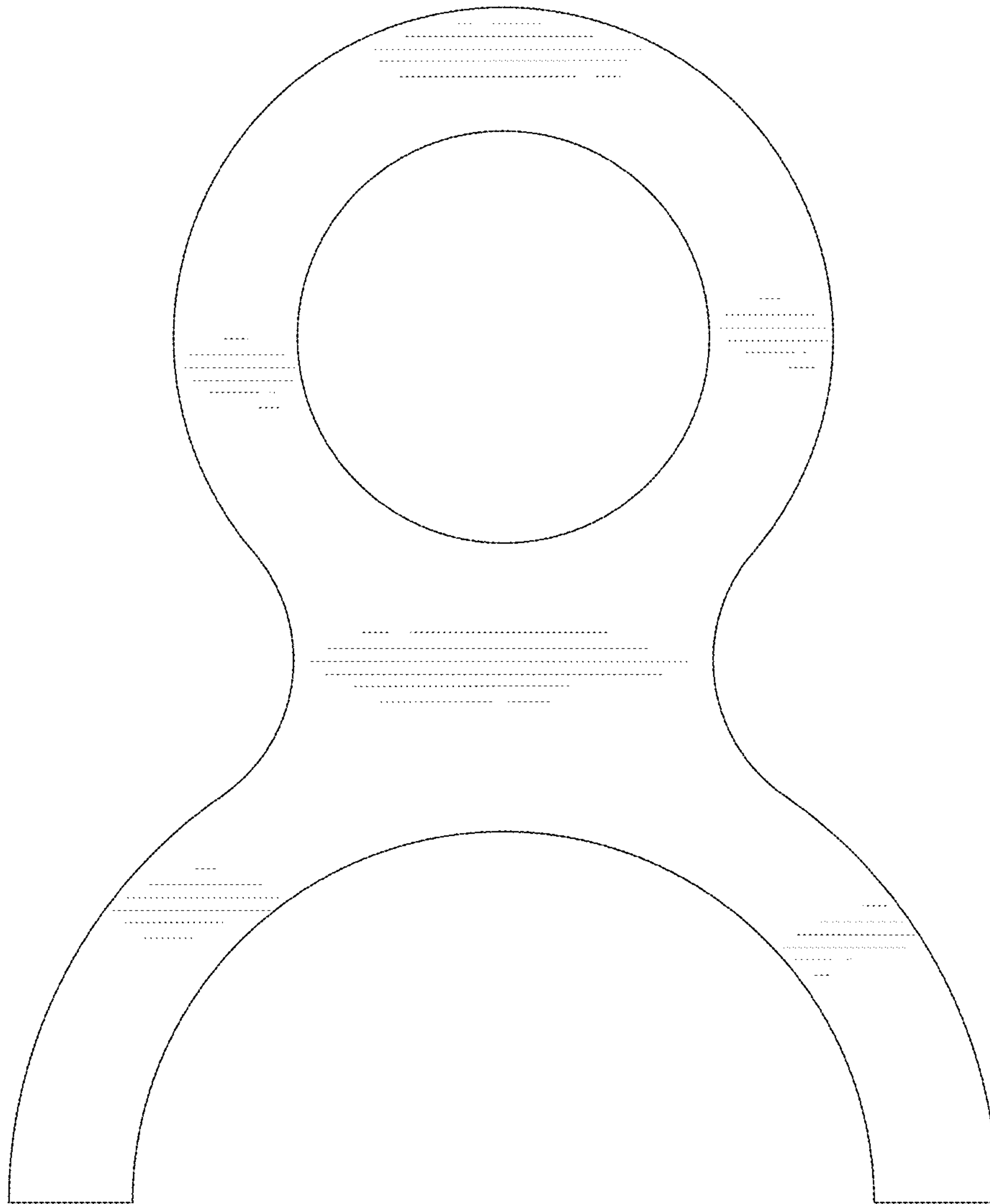


Fig. 2

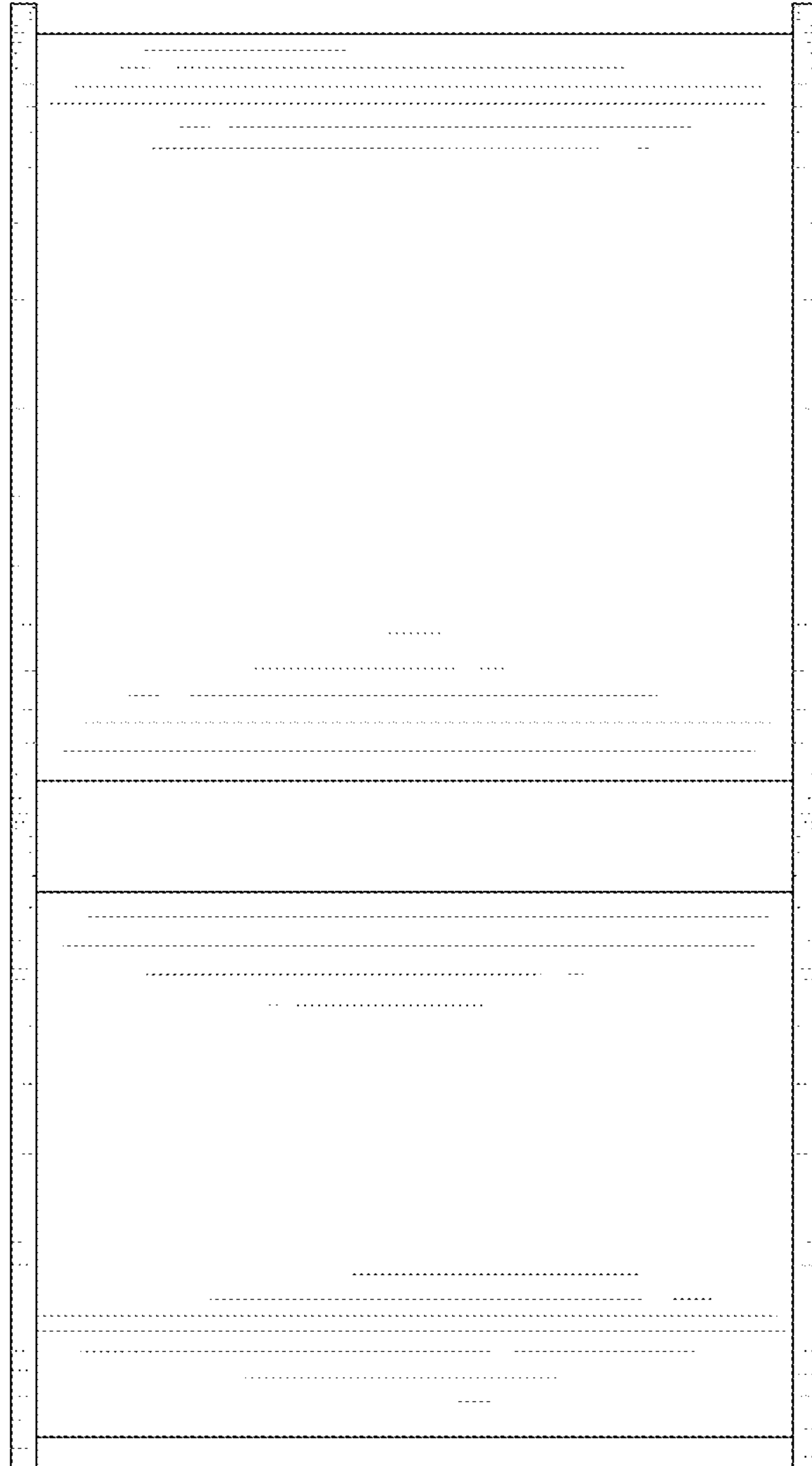


Fig. 3

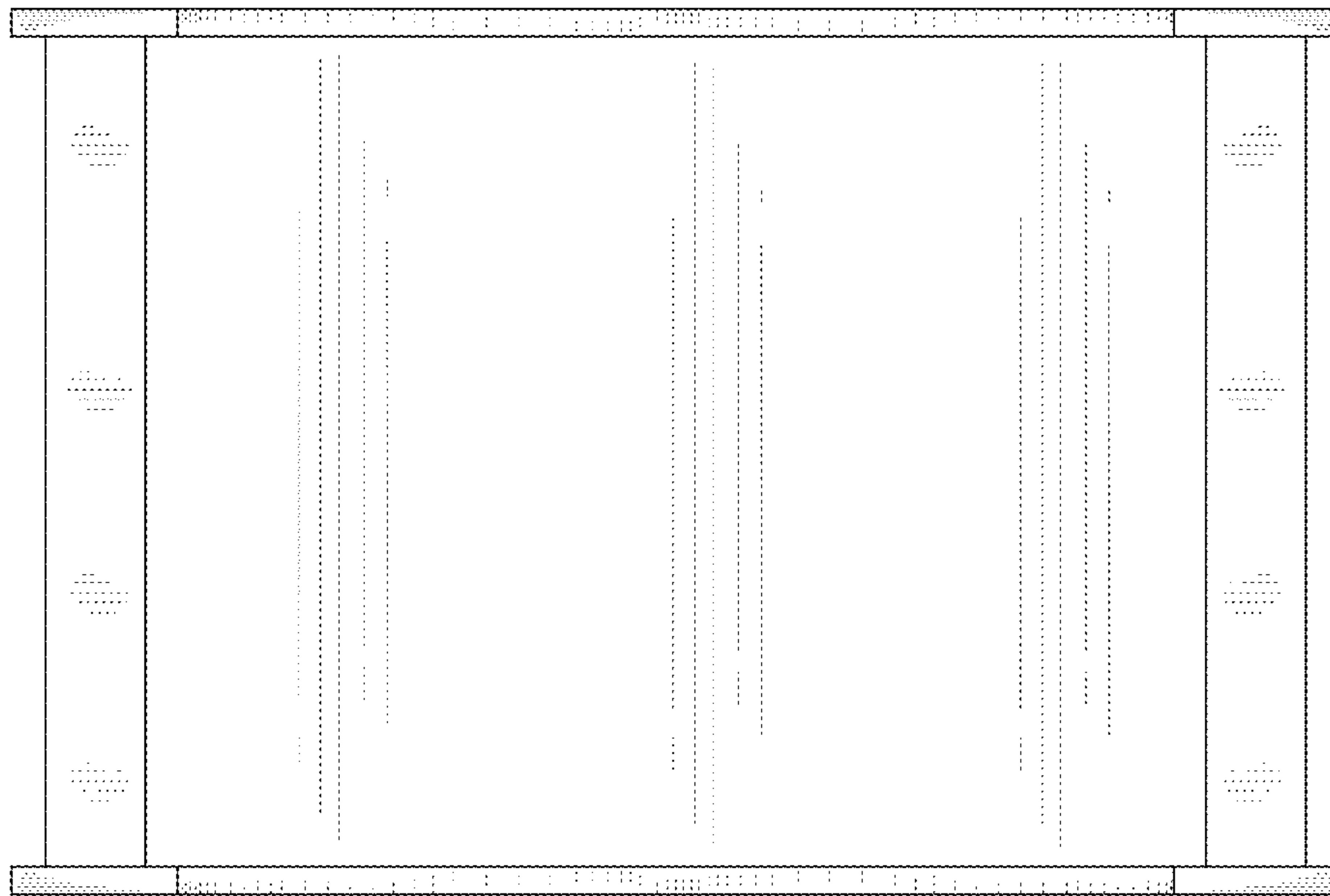


Fig. 4