



US00D825116S

(12) **United States Design Patent**
Wills et al.

(10) **Patent No.:** **US D825,116 S**

(45) **Date of Patent:** **** Aug. 7, 2018**

- (54) **PET TOY**
- (71) Applicant: **Doskocil Manufacturing Company, Inc.**, Arlington, TX (US)
- (72) Inventors: **Ryan Wills**, Carrollton, TX (US); **Kyle Burger**, Seattle, WA (US)
- (73) Assignee: **DOSKOCIL MANUFACTURING COMPANY, INC.**, Arlington, TX (US)
- (**) Term: **15 Years**
- (21) Appl. No.: **29/572,981**
- (22) Filed: **Aug. 2, 2016**
- (51) **LOC (11) Cl.** **30-30**
- (52) **U.S. Cl.**
USPC **D30/160**
- (58) **Field of Classification Search**
USPC D30/160; D21/415, 438, 487, 547, 563, D21/576; 119/741, 727, 801, 868; D1/99, 102, 125, 128, 199; D19/69; D22/108
CPC A01K 15/00; A01K 15/02; A01K 15/025; A01K 15/026
See application file for complete search history.

- D474,873 S * 5/2003 Frazee D1/128
- 7,234,420 B1 * 6/2007 Tsengas A01K 15/026
119/710
- D552,326 S * 10/2007 Evans D1/102
- 7,600,488 B2 * 10/2009 Mann A01K 15/026
119/710
- 7,631,613 B2 * 12/2009 Lescroart A01K 5/0114
119/51.01
- D628,660 S * 12/2010 Verheem A63B 15/005
D21/681
- D638,589 S * 5/2011 Axelrod D30/160
- D639,358 S * 6/2011 Rauwerdink D21/681
- D658,825 S * 5/2012 Wolfe, Jr. D30/160
- D687,101 S * 7/2013 Sternberg D19/69
- D717,521 S * 11/2014 Slusarczyk D1/130
- 8,985,060 B2 * 3/2015 Angle A01K 15/025
119/707
- 9,052,017 B2 * 6/2015 Evans F16J 15/18
- D771,898 S * 11/2016 Albuja D1/125

(Continued)

Primary Examiner — Caron D Veynar

Assistant Examiner — Mehri F Bajoul

(74) *Attorney, Agent, or Firm* — Global IP Counselors, LLP

(57) **CLAIM**

The ornamental design for a pet toy, as shown and described.

DESCRIPTION

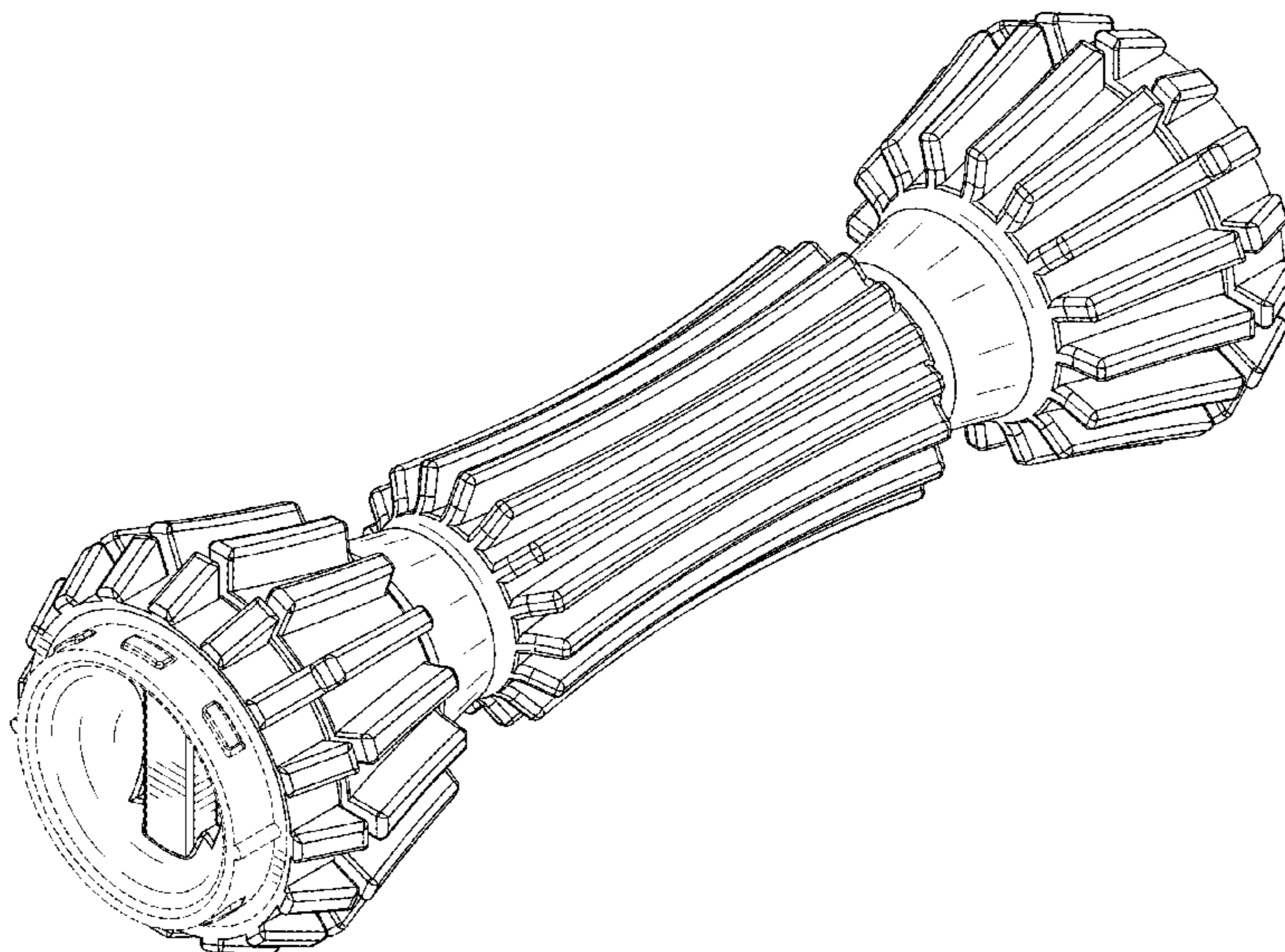
FIG. 1 is a top perspective view of a pet toy in accordance with our new design;
 FIG. 2 is a bottom perspective view thereof;
 FIG. 3 is a front view thereof;
 FIG. 4 is a back view thereof;
 FIG. 5 is a side view thereof;
 FIG. 6 is a top view thereof; and,
 FIG. 7 is a bottom view thereof.
 The broken lines show portions of the pet toy and form no part of the claimed design.

1 Claim, 5 Drawing Sheets

(56) **References Cited**

U.S. PATENT DOCUMENTS

- 654,097 A * 7/1900 Sandow A63B 23/16
482/50
- D326,298 S * 5/1992 King D21/682
- D367,897 S * 3/1996 Schmidt D21/486
- 5,647,302 A * 7/1997 Shipp A01K 15/026
119/709
- D427,669 S * 7/2000 Ruuska D23/266
- D445,502 S * 7/2001 Maeji D24/130
- D454,143 S * 3/2002 Åsberg D15/139
- D458,438 S * 6/2002 Volk, III D2/869



(56)

References Cited

U.S. PATENT DOCUMENTS

2008/0039299 A1* 2/2008 Crawford A63B 21/0607
482/107
2008/0141948 A1* 6/2008 Renforth A01K 15/026
119/710
2011/0232581 A1* 9/2011 Gick A01K 15/026
119/707
2017/0094943 A1* 4/2017 Wilson A01K 15/021

* cited by examiner

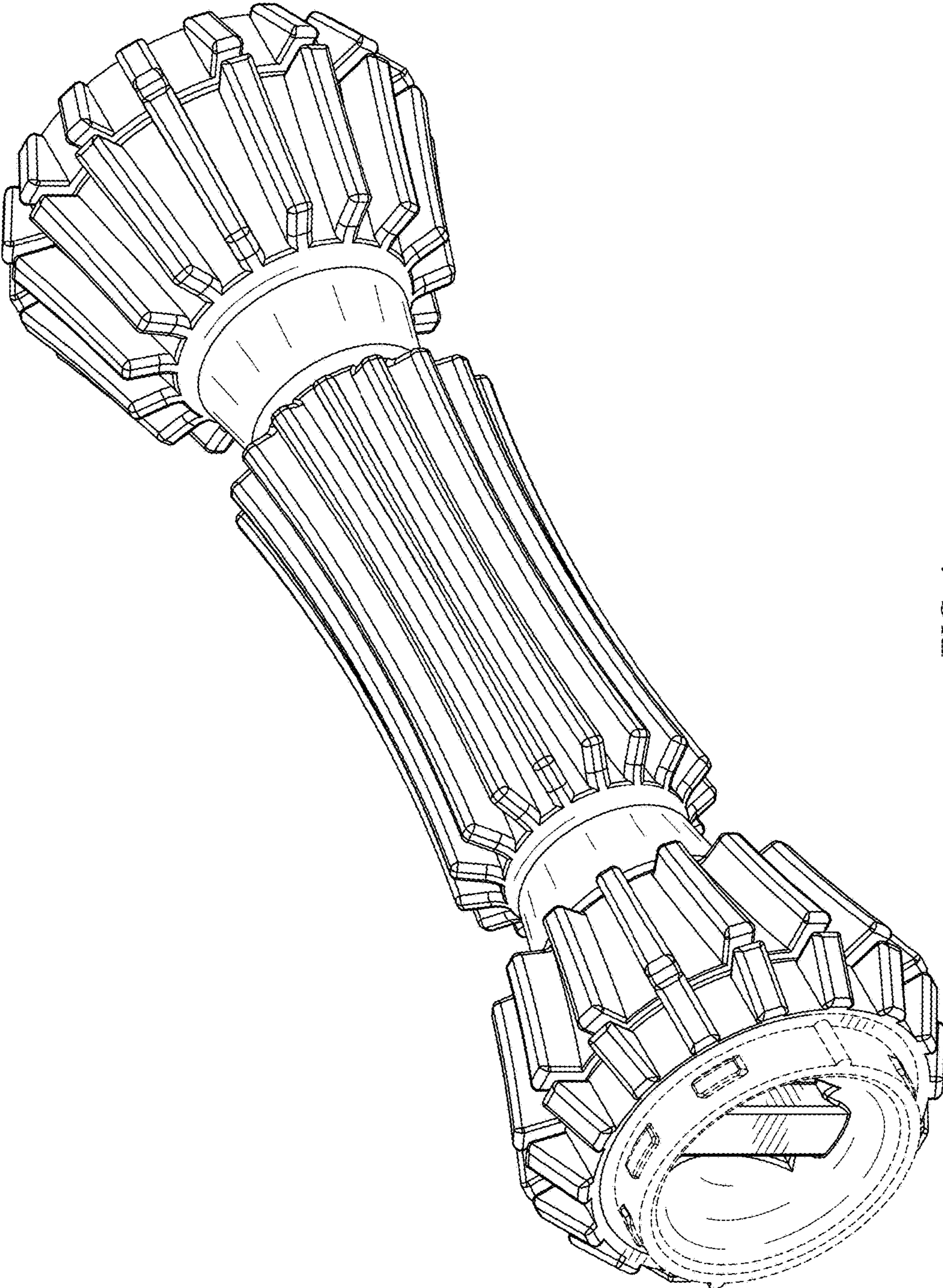


FIG. 1

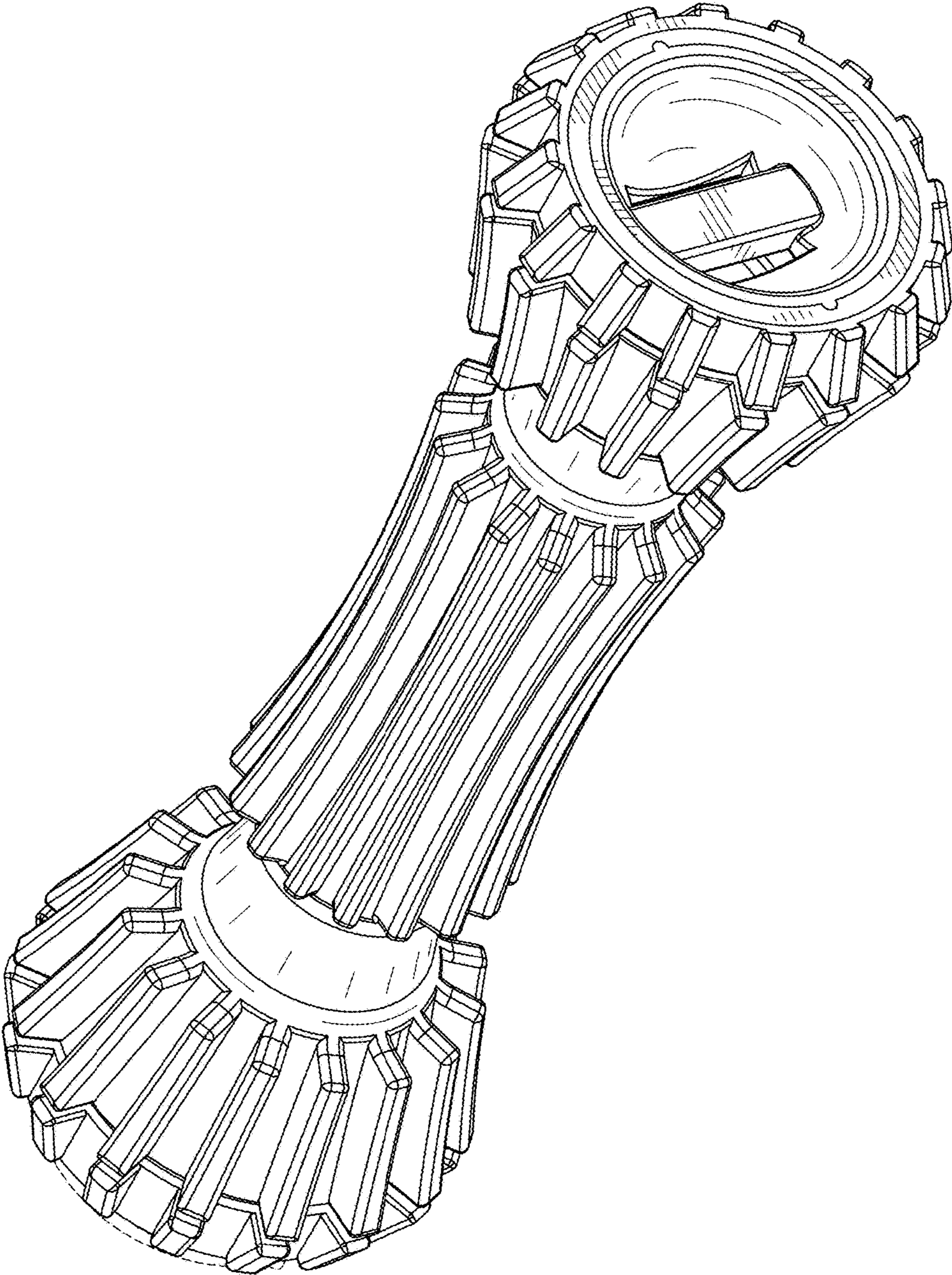


FIG. 2

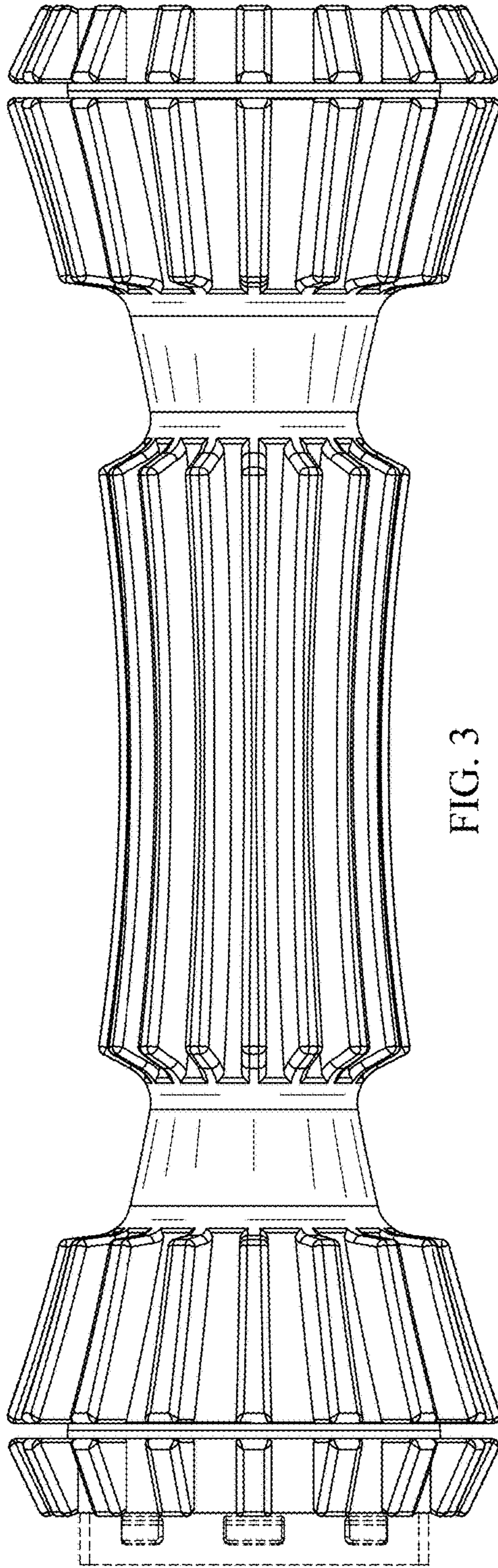


FIG. 3

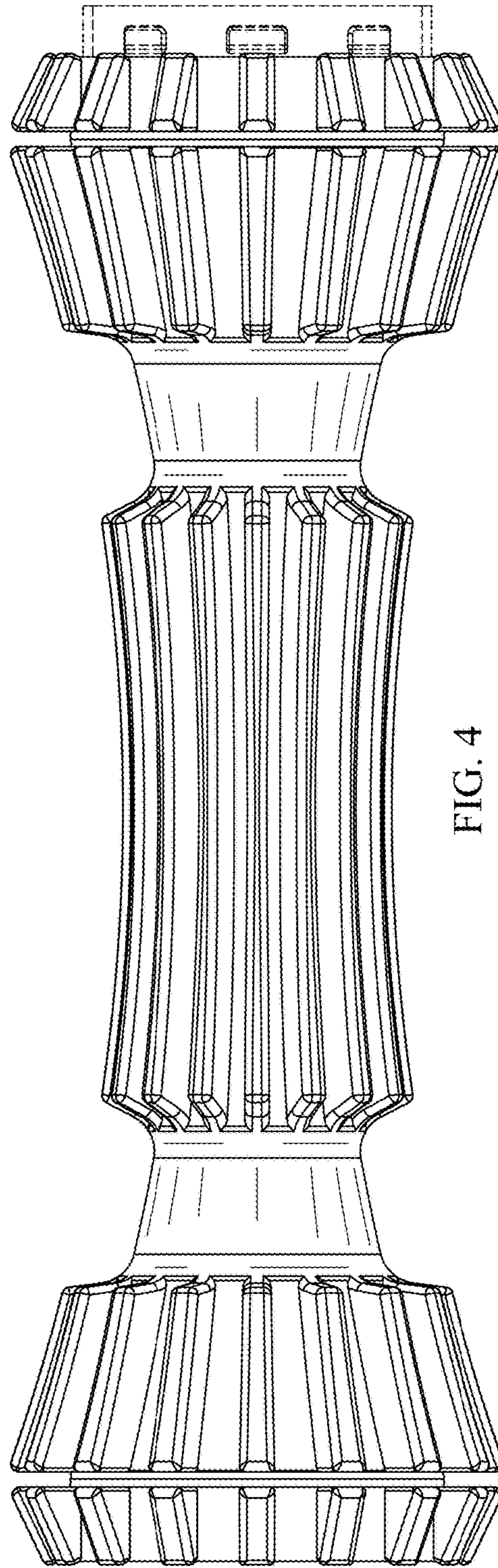


FIG. 4

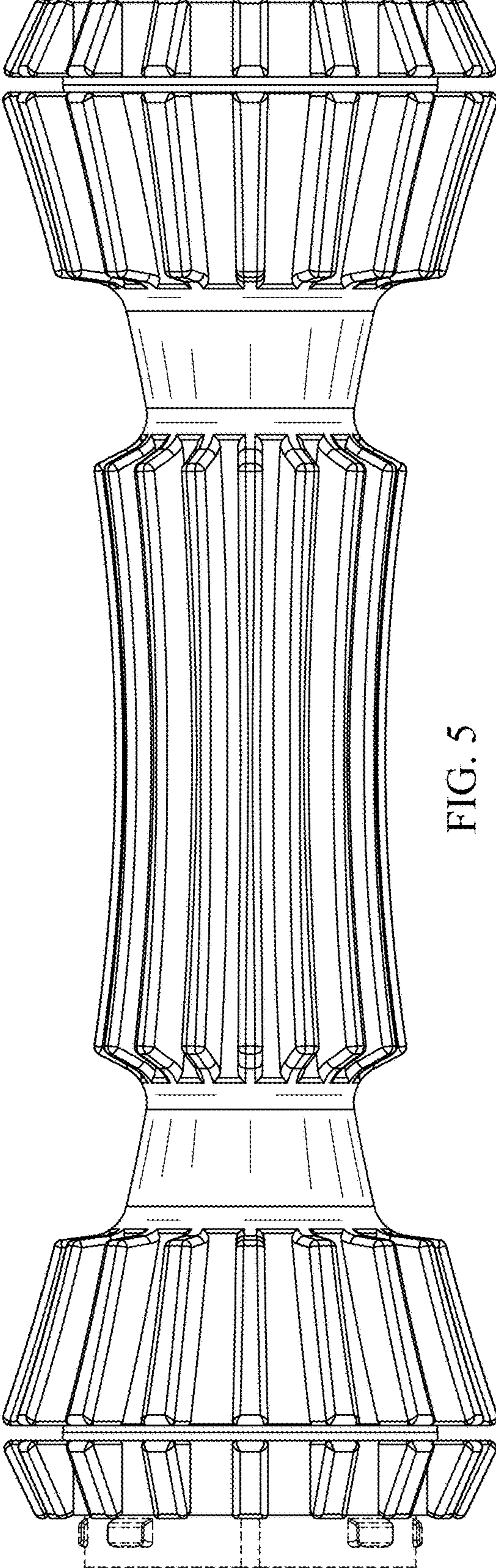


FIG. 5

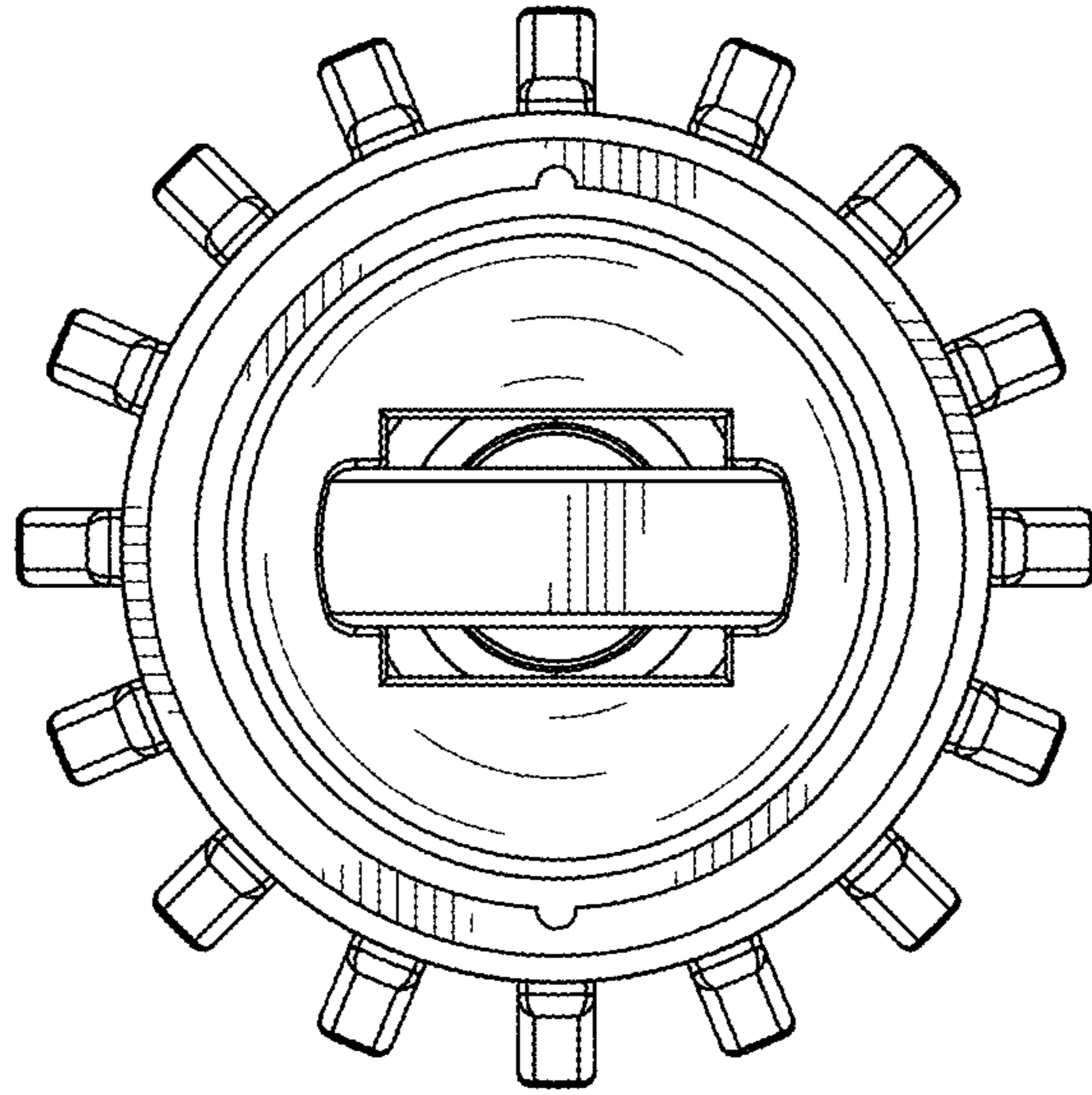


FIG. 7

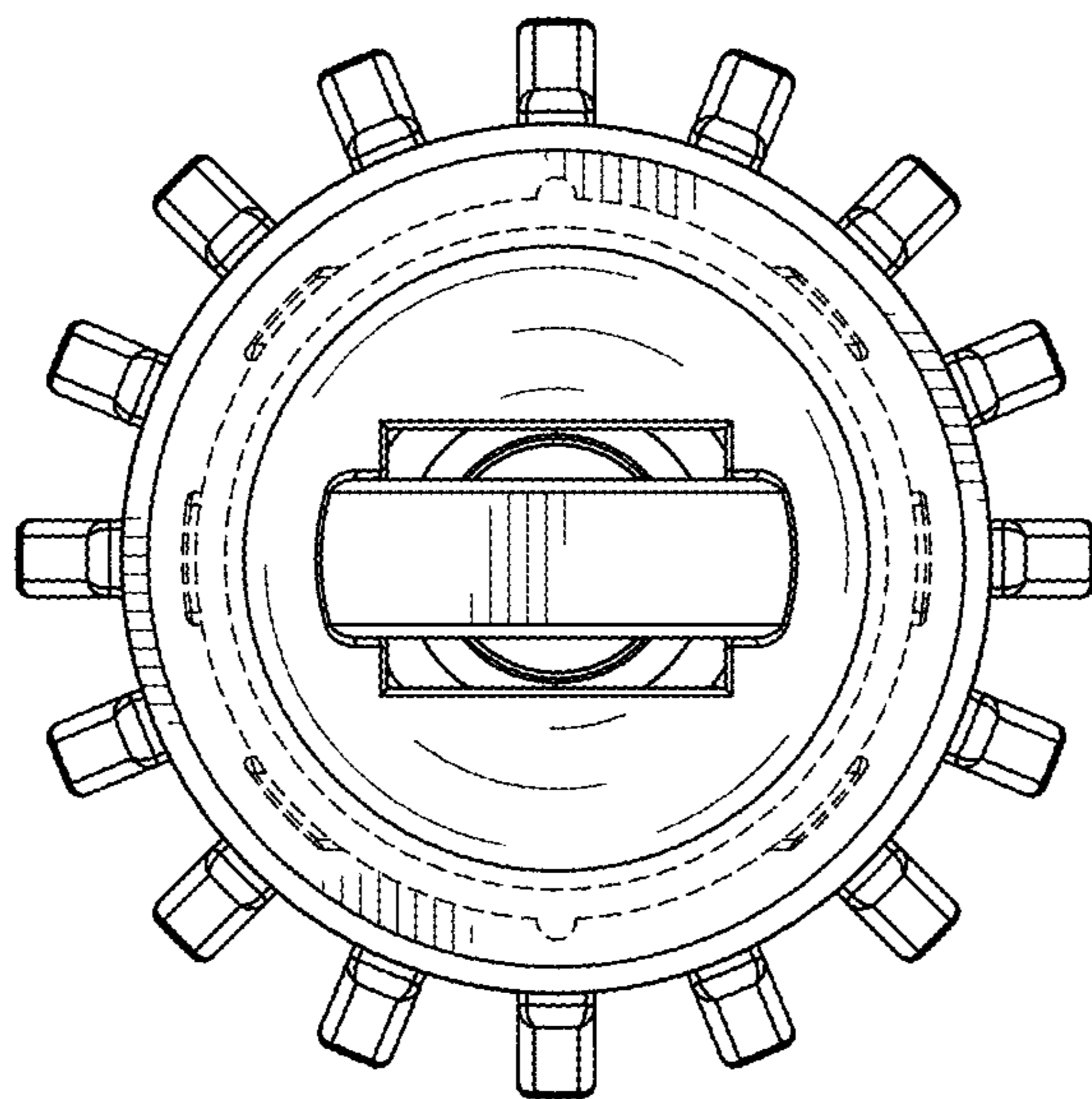


FIG. 6