



US00D825115S

(12) **United States Design Patent** (10) **Patent No.:** **US D825,115 S**
Gevaert (45) **Date of Patent:** **** Aug. 7, 2018**

(54) **FEEDER AND WATERER FOR ANIMALS**

(71) Applicant: **MP GROUP NV**, Izegem (BE)

(72) Inventor: **Sabine Gevaert**, Bredene (BE)

(**) Term: **15 Years**

(21) Appl. No.: **35/503,220**

(22) Filed: **Jun. 2, 2017**

(80) **Hague Agreement Data**

Int. Filing Date: **Jun. 2, 2017**

Int. Reg. No.: **DM/096361**

Int. Reg. Date: **Jun. 2, 2017**

Int. Reg. Pub. Date: **Jun. 23, 2017**

(51) **LOC (11) Cl.** **30-03**

(52) **U.S. Cl.**

USPC **D30/130**

(58) **Field of Classification Search**

USPC D30/129-133

CPC .. A01K 5/0114; A01K 5/0135; A01K 5/0142;

A01K 7/00; A01K 5/01

See application file for complete search history.

(56) **References Cited**

U.S. PATENT DOCUMENTS

- D467,045 S * 12/2002 Tsengas D30/130
- D551,400 S * 9/2007 Tsengas D30/133
- D577,466 S * 9/2008 Shamoan D30/121
- D592,814 S * 5/2009 Uffner D30/130
- D597,262 S * 7/2009 Shamoan D30/130
- D602,652 S * 10/2009 Horvath D30/130

- D618,862 S * 6/2010 Shamoan D30/121
- D625,887 S * 10/2010 Becattini, Jr. D30/130
- D642,338 S * 7/2011 Becattini, Jr. D30/130
- D662,674 S * 6/2012 Tsengas D30/130
- 8,516,975 B2 * 8/2013 Becattini, Jr. A01K 7/005
119/51.5
- D721,209 S * 1/2015 Hove D30/133
- D755,447 S * 5/2016 Andrews D30/129
- D758,675 S * 6/2016 Breit D30/130
- D782,128 S * 3/2017 Wechsler D30/121
- D797,383 S * 9/2017 Peninger D30/133
- D802,853 S * 11/2017 MacNeil D30/133
- 2009/0199775 A1 * 8/2009 Shamoan A01K 5/0114
119/61.56
- 2014/0346293 A1 * 11/2014 Qiu A01K 5/0114
248/176.1

* cited by examiner

Primary Examiner — George D Kirschbaum

Assistant Examiner — Jennifer L Watkins

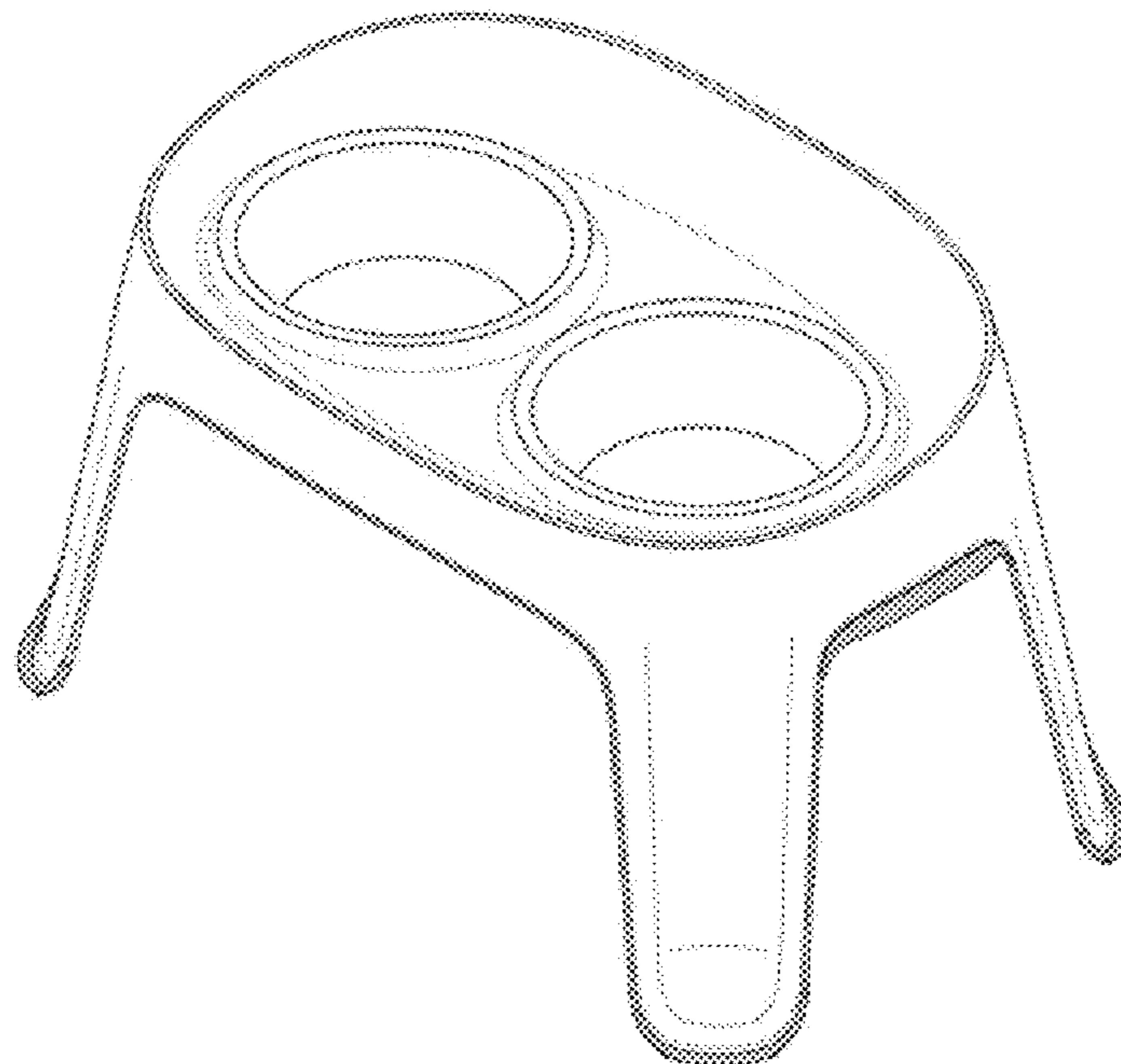
(57) **CLAIM**

The ornamental design for a feeder and waterer for animals, as shown and described.

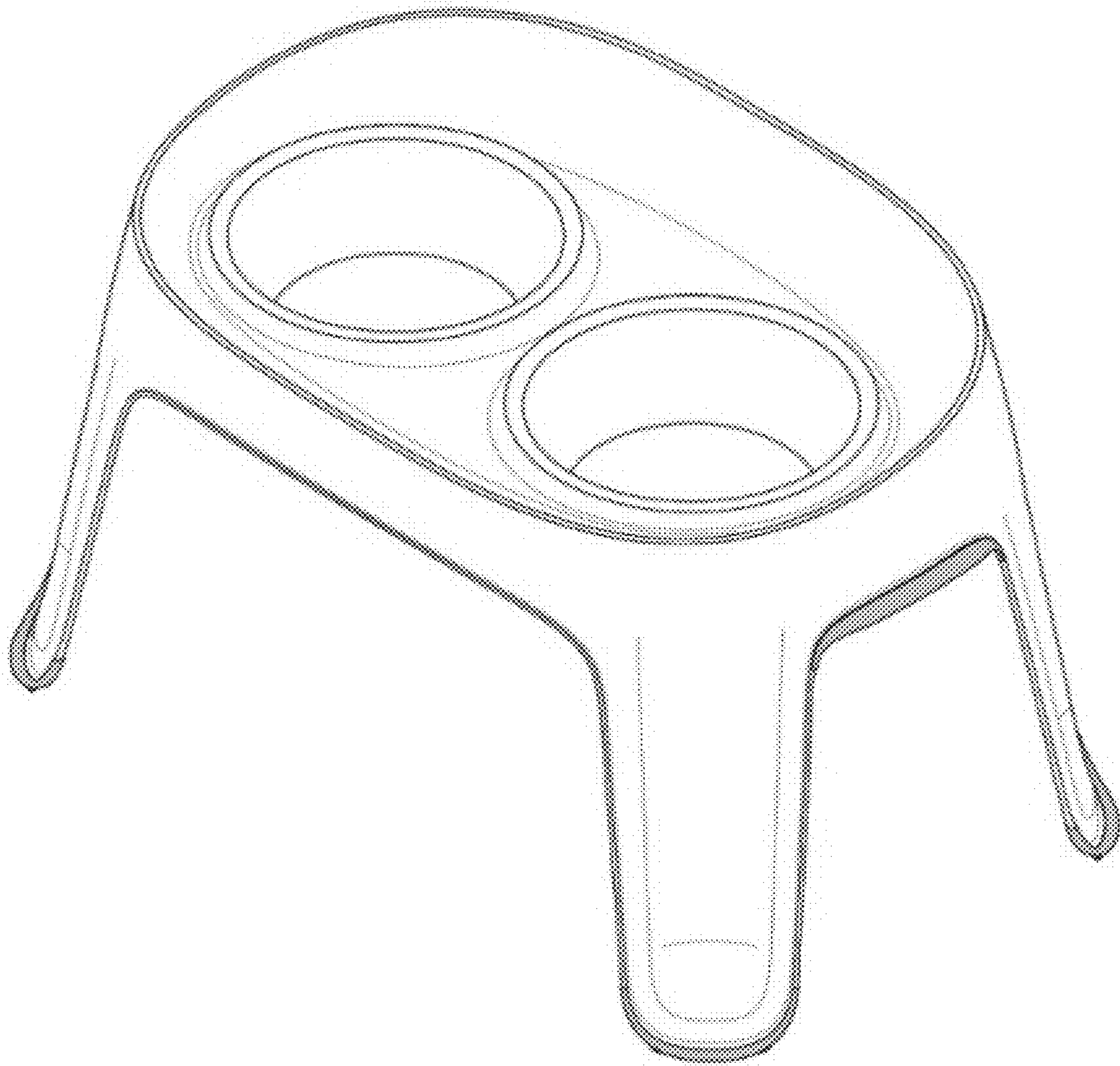
DESCRIPTION

- 1. Feeder and waterer for animals
- 1.1** is a perspective view of a feeder and waterer for animals showing our new design;
- 1.2** is an exploded view thereof;
- 1.3** is a front view thereof;
- 1.4** is a left view thereof;
- 1.5** is an enlarged view thereof; and
- 1.6** is a top view thereof showing the feeder and waterer for animals with the two bowls removed.

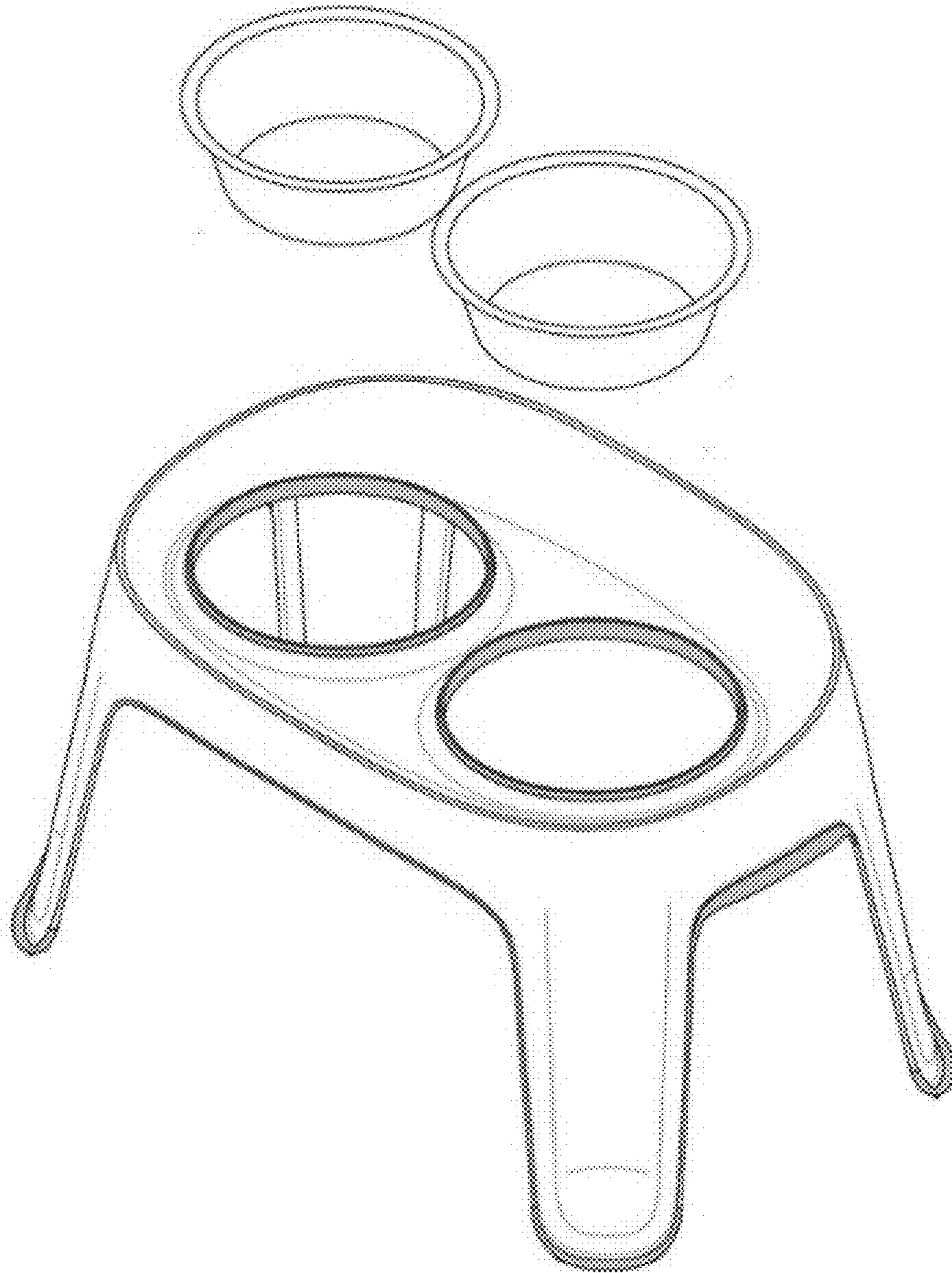
1 Claim, 6 Drawing Sheets



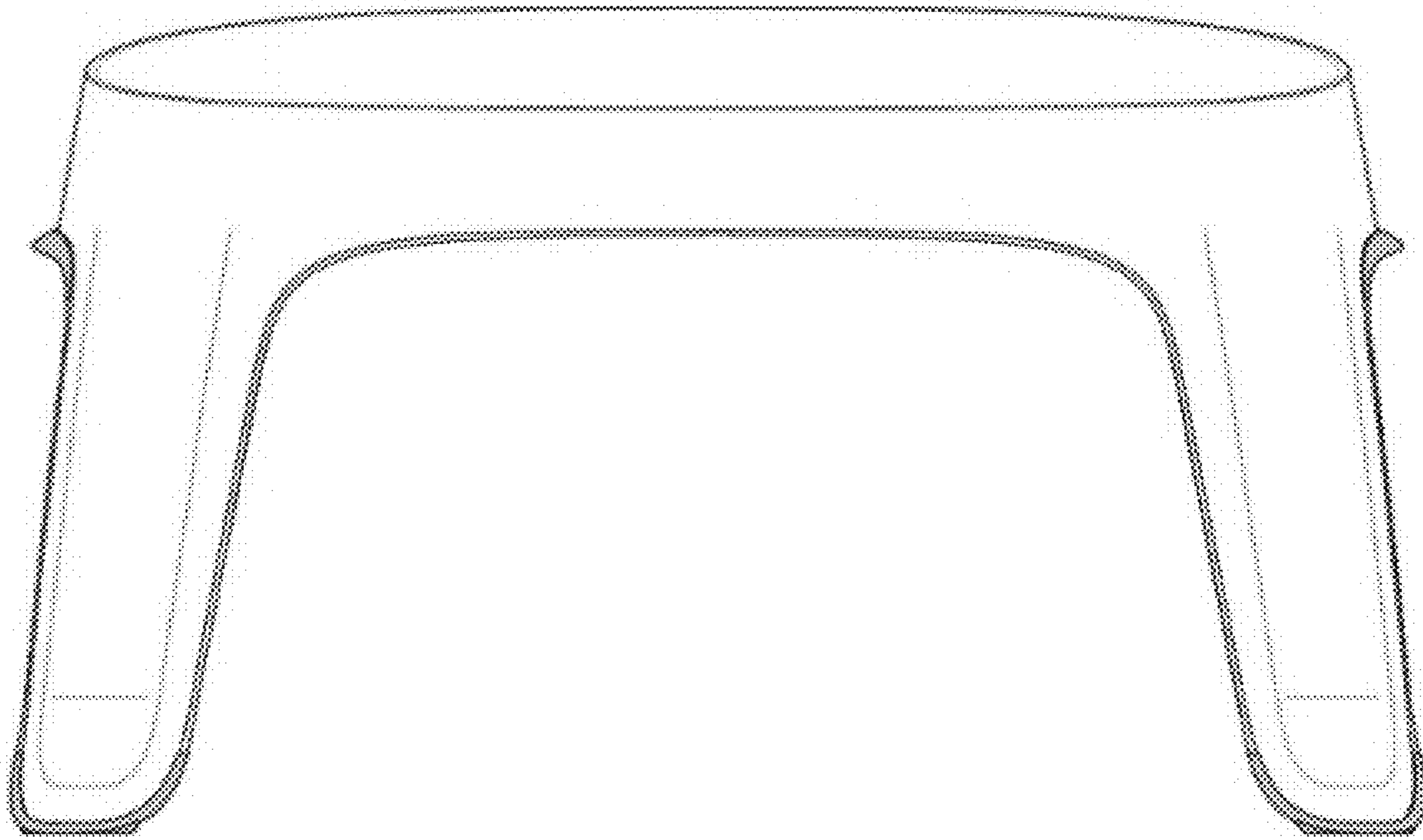
1.1



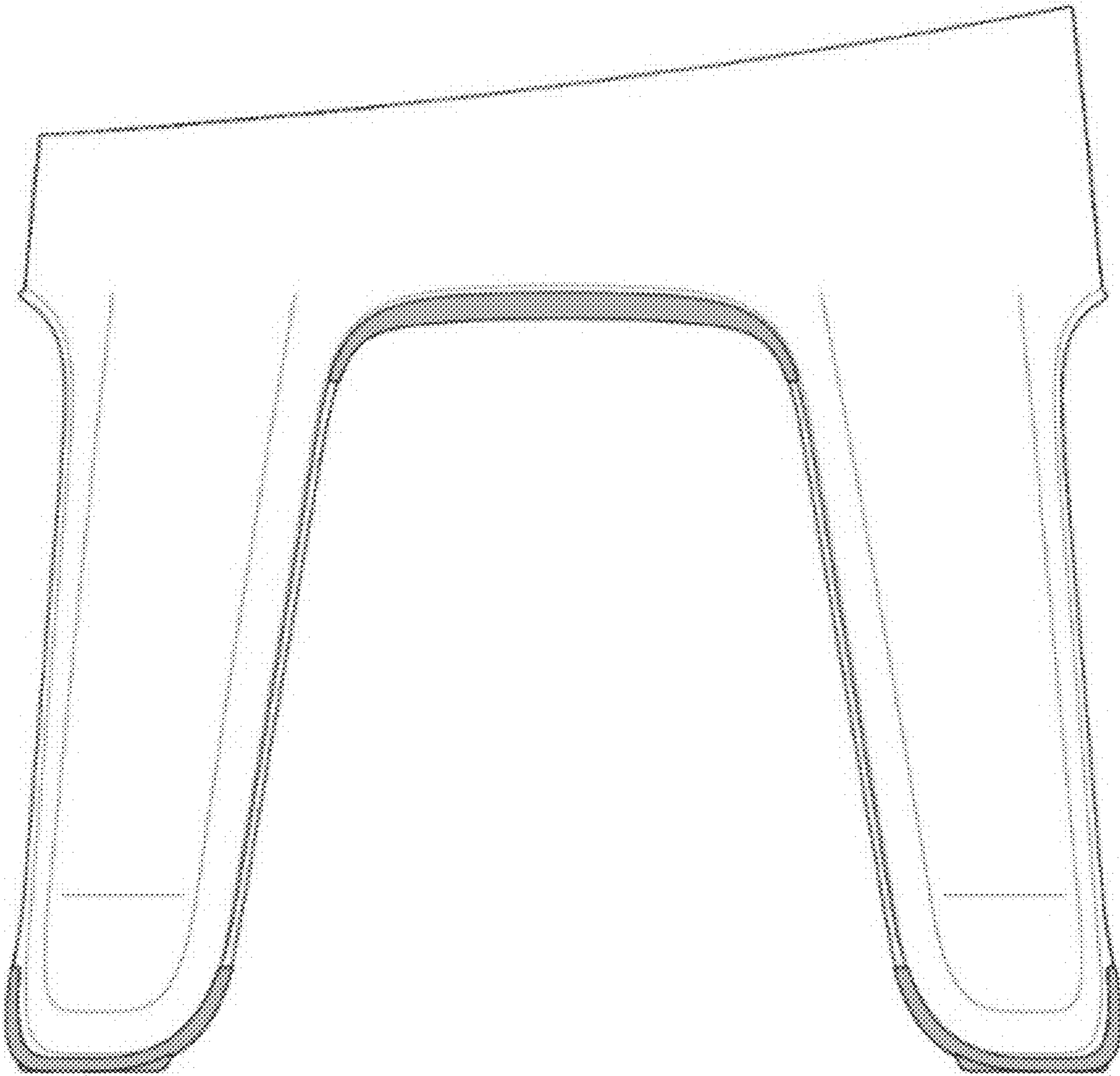
1.2



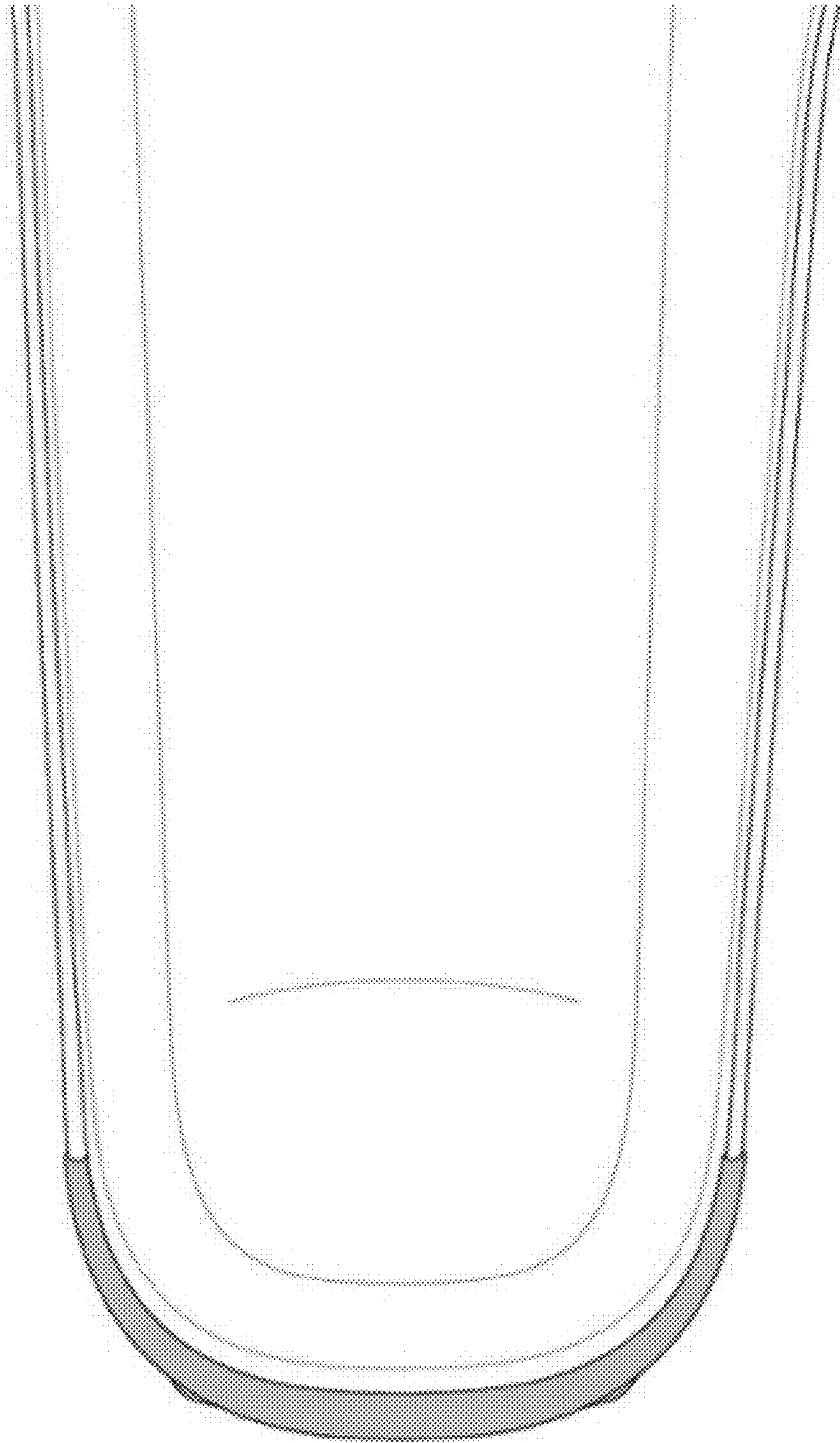
1.3



1.4



1.5



1.6

