



US00D825114S

(12) **United States Design Patent**  
**Robbins et al.**

(10) **Patent No.: US D825,114 S**

(45) **Date of Patent: \*\* Aug. 7, 2018**

(54) **FEED STAND**

(71) Applicants: **Jerry D Robbins**, Grand Junction, CO (US); **Joyce A Schaefer**, Grand Junction, CO (US)

(72) Inventors: **Jerry D Robbins**, Grand Junction, CO (US); **Joyce A Schaefer**, Grand Junction, CO (US)

(\*\*) Term: **15 Years**

(21) Appl. No.: **29/624,114**

(22) Filed: **Oct. 30, 2017**

(51) **LOC (11) Cl. .... 30-03**

(52) **U.S. Cl.**  
USPC ..... **D30/121**

(58) **Field of Classification Search**  
USPC ..... D30/133, 121, 122, 124, 127, 128, 132, D30/131, 114, 119; 119/51.01, 61, 51.04, 119/53, 57.91, 54, 53.5, 52.4, 51.11, 63, 119/61.2, 52.1, 57.5, 57.6, 51.13, 62, 75, 119/500, 501, 521, 57.92, 59, 51.12, 57.1, 119/56.1, 57, 51.03, 58, 60; 239/7, 687, 239/379, 397.5; 222/199, 181.1, 181.2, 222/185.1, 557, 156, 485, 486, 548, 555; 220/200, 227, 247, 262; 221/174, 185.1, 221/289, 295, 296, 559; 454/35; 209/270, 283, 244; 52/194, 192; 49/279, 49/344, 357; D34/28; D6/300, 512-515, D6/567; 248/176.1, 177.1, 179.1, 180.1, 248/187.1, 188, 188.1, 188.2, 188.4, 370, 248/372.1, 397, 405, 406.2, 411, 415, 248/423, 424; 211/49.1, 86.01, 88.01, 211/89.01, 90.02, 97, 98, 85.4, 58, 13.1, 211/163, 197, 205, 54.1, 26, 26.2  
CPC ..... A01K 5/0225; A01K 5/00; A01K 5/02; A01K 5/01; A01K 5/0291; A01K 5/0266; A01K 5/0275; A01K 5/0283; A01K 39/00; A01K 39/01; A01K 39/0113; A01K 39/012; A01K 39/0125; A01K 39/014; B28C 7/0046; B65D 90/14;

B65D 88/52; B65D 88/30; A01C 17/005; A01C 17/006; Y10T 74/19721; Y10T 74/2063; Y10T 403/10; A47F 7/00; A47F 7/0071; A47F 7/281; A47F 5/0807; A47F 5/05; A47F 5/0037; A47F 5/02; A47B 49/00

See application file for complete search history.

(56) **References Cited**

U.S. PATENT DOCUMENTS

345,741 A \* 7/1886 Thurston ..... A47F 5/06  
211/172  
452,792 A \* 5/1891 Jones ..... A47G 25/746  
211/120  
740,459 A \* 10/1903 McNaughton ..... F16M 11/16  
248/177.1  
873,121 A \* 12/1907 Flory ..... F16M 11/16  
248/177.1  
883,162 A 3/1908 Baecker  
1,259,623 A 3/1918 Herrick

(Continued)

*Primary Examiner* — Susan Moon Lee

(74) *Attorney, Agent, or Firm* — MP Patents, LLC

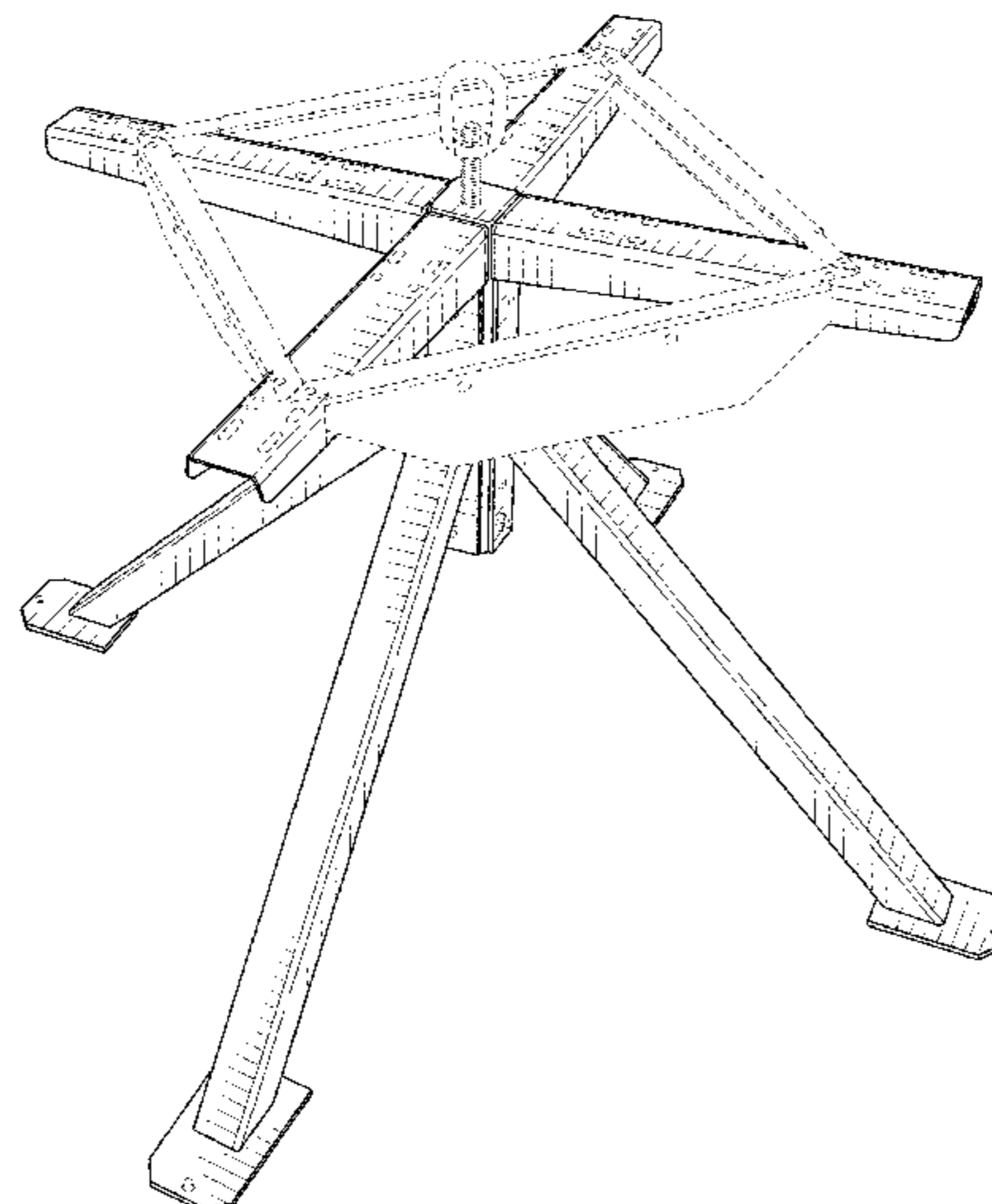
(57) **CLAIM**

The ornamental design for the feed stand, as shown and described.

**DESCRIPTION**

FIG. 1 is a perspective view of the feed stand.  
FIG. 2 is a front view of the feed stand, the rear view being a mirror image thereof;  
FIG. 3 is a left side view of the feed stand; a right side view is a mirror image of the left side view.  
FIG. 4 is a top view of the feed stand; and,  
FIG. 5 is a bottom view of the feed stand.  
The broken lines showing fastener holes, adapter brackets and an eyelet and associated fastener are for illustrative purposes only and form no part of the claimed design.

**1 Claim, 5 Drawing Sheets**



(56)

References Cited

U.S. PATENT DOCUMENTS

1,359,691 A *	11/1920	Genuit .....	A01K 39/014	5,632,230 A	5/1997	Dornetta	
			119/57.91	D397,527 S *	8/1998	Bruder .....	D30/121
1,734,045 A *	11/1929	Parran .....	G07F 11/00	5,931,085 A *	8/1999	Benzschawel .....	A47J 37/0763
			194/300				126/25 A
1,786,777 A	12/1930	Pfeiffer		7,178,481 B1 *	2/2007	Friesenhahn, Jr. ..	A01K 5/0225
1,807,990 A *	6/1931	Landers .....	A47F 5/04				119/57.91
			211/166	7,207,450 B1 *	4/2007	Franklin .....	A45F 3/44
2,542,137 A *	2/1951	Hanson .....	A47F 7/24				108/25
			126/30	D543,666 S *	5/2007	Ross .....	D30/133
2,661,719 A	12/1953	Joseph et al.		D655,531 S *	3/2012	Gharst .....	D3/10
D174,781 S *	5/1955	Sturma .....	D30/121	8,727,140 B2	5/2014	Verson	
2,775,423 A *	12/1956	Strass .....	G01C 1/02	8,870,133 B1 *	10/2014	Brown .....	F24B 1/193
			235/60.2				211/196
2,873,936 A *	2/1959	Baur .....	F16M 11/22	8,893,653 B2 *	11/2014	Browning .....	A01K 5/0291
			248/180.1				119/51.11
3,195,508 A *	7/1965	Lehman .....	A01K 5/0291	D721,481 S *	1/2015	Elazar .....	D3/10
			119/51.11	9,345,352 B2 *	5/2016	Shendelman .....	A47G 23/0625
3,259,106 A	7/1966	Ray et al.		D761,493 S *	7/2016	Lowenthal .....	D30/121
3,330,257 A *	7/1967	Warner, Sr. ....	A01K 5/01	D770,757 S *	11/2016	Akin .....	D3/10
			119/61.3	9,540,840 B2 *	1/2017	Ma .....	F16M 13/00
3,397,881 A *	8/1968	Hedgecock .....	A63G 1/12	D799,199 S *	10/2017	Akin .....	D3/10
			108/95	9,890,551 B1 *	2/2018	Delao .....	E04H 12/2215
4,312,528 A	1/1982	Hall et al.		D812,317 S *	3/2018	Bogart .....	D30/121
4,747,494 A	5/1988	Tyson		9,957,728 B2 *	5/2018	Ma .....	E04H 12/2238
4,956,821 A *	9/1990	Fenelon .....	B28C 7/067	2002/0185167 A1 *	12/2002	Lin .....	A45B 25/22
			366/16				135/16
5,020,701 A *	6/1991	Donelson .....	B65G 69/0458	2007/0039552 A1 *	2/2007	Nicholes .....	A01K 5/0225
			222/494				119/51.11
D330,031 S *	10/1992	Bohanon, Sr. ....	D15/5	2009/0241846 A1 *	10/2009	Dollar, Jr. ....	A01K 5/0225
5,259,337 A *	11/1993	Rasmussen .....	A01K 5/0275				119/57.91
			119/57.1	2012/0097810 A1 *	4/2012	Burnett .....	B66F 5/00
5,339,996 A *	8/1994	Dubbert .....	B28C 7/0046				248/176.1
			182/186.6	2014/0060516 A1 *	3/2014	Delaquis .....	F23H 17/08
5,463,980 A *	11/1995	Rasmussen .....	A01K 5/02				126/298
			119/57.1	2014/0174368 A1 *	6/2014	Salinas .....	A01K 5/0291
							119/51.11

\* cited by examiner

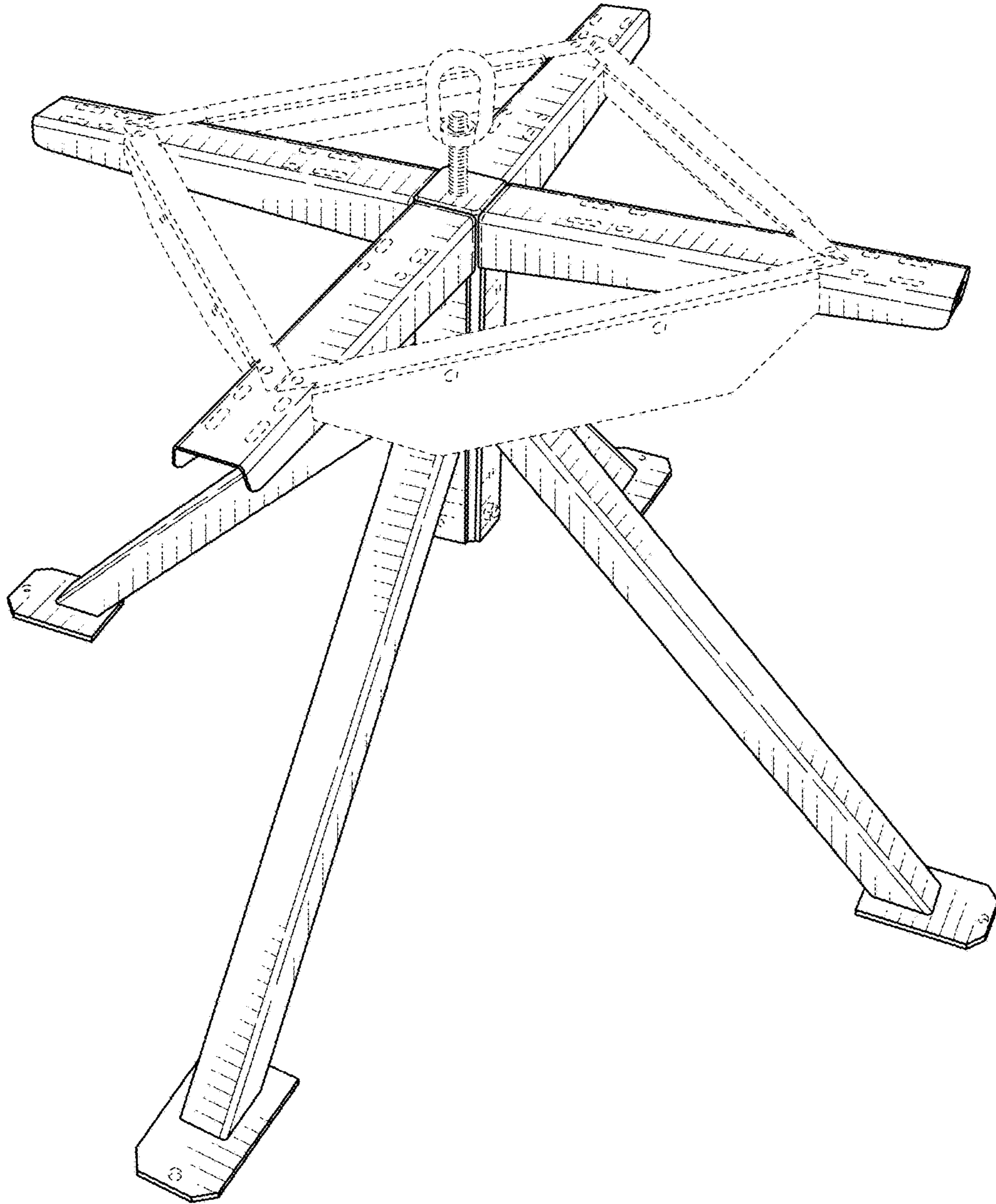


FIG. 1

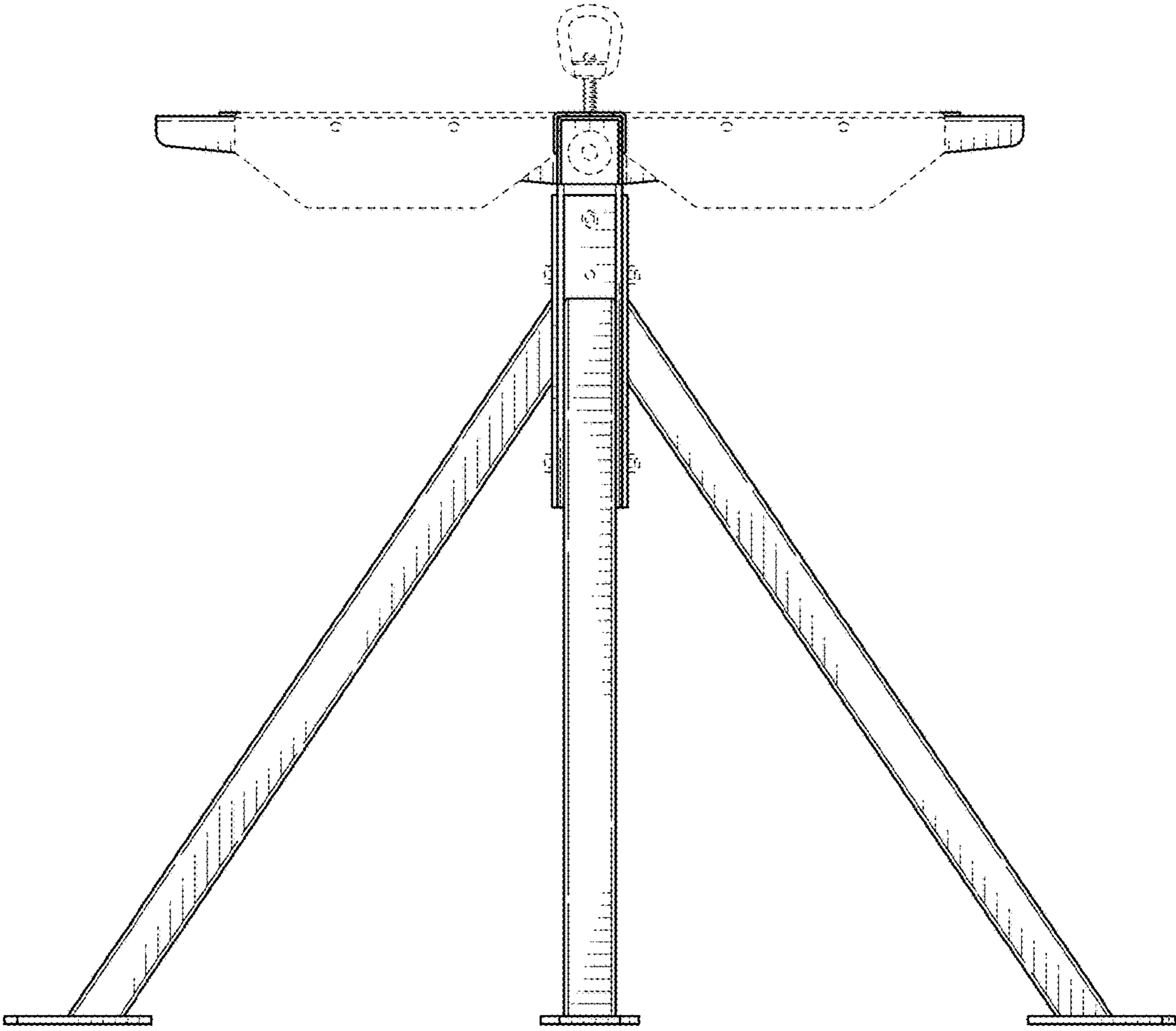


FIG. 2

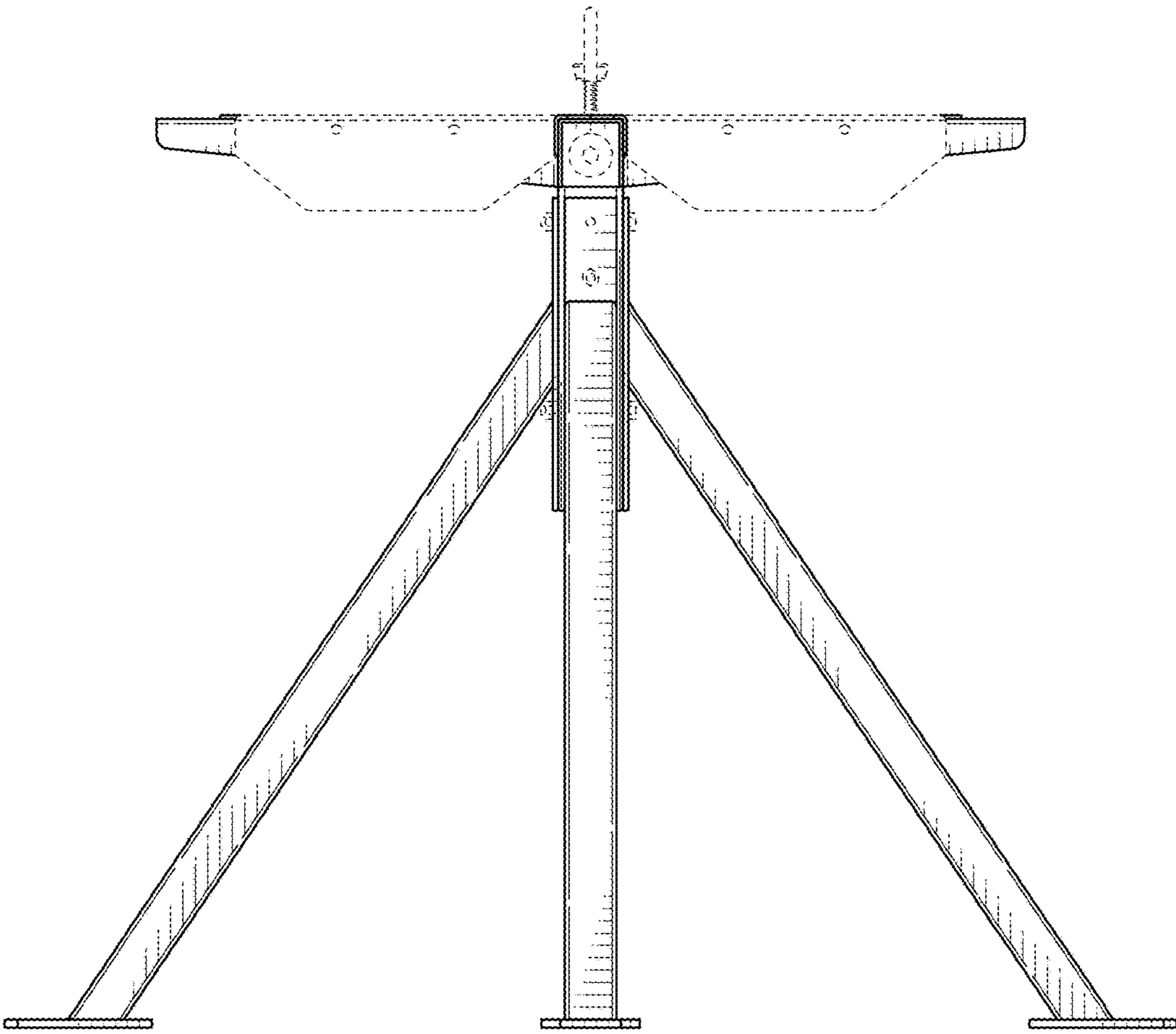


FIG. 3

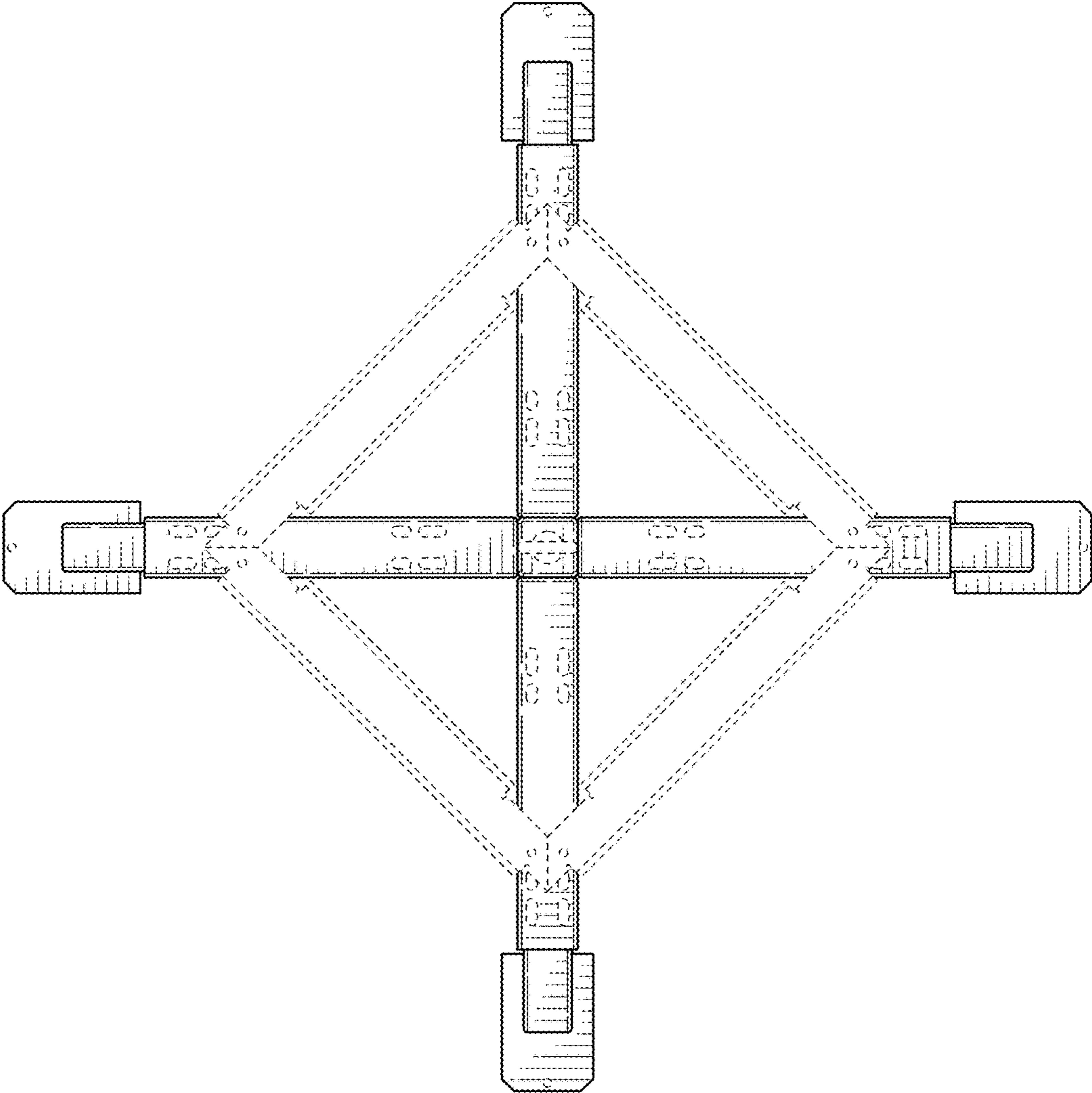


FIG. 4

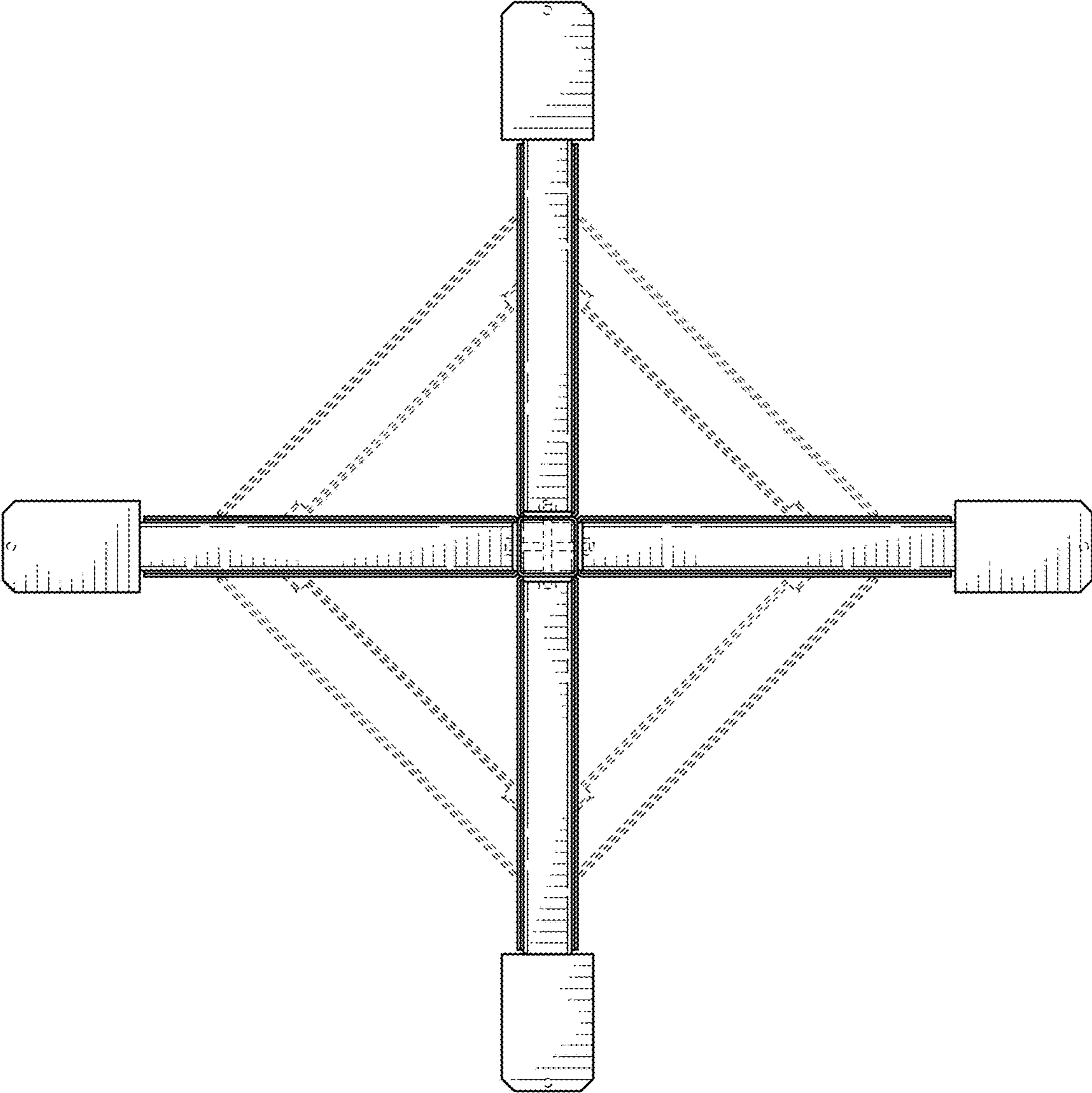


FIG. 5