



US00D825113S

(12) **United States Design Patent** (10) **Patent No.:** **US D825,113 S**
Langenwalter (45) **Date of Patent:** **** Aug. 7, 2018**

- (54) **ANIMAL ENCLOSURE**
- (71) Applicant: **ORIGIN POINT BRANDS, LLC**,
North Charleston, SC (US)
- (72) Inventor: **Duane E Langenwalter**, Monroe, CT
(US)
- (73) Assignee: **Origin Point Brands, LLC**, North
Charleston, SC (US)
- (**) Term: **15 Years**
- (21) Appl. No.: **29/567,110**
- (22) Filed: **Jun. 6, 2016**
- (51) **LOC (11) Cl.** **30-02**
- (52) **U.S. Cl.**
USPC **D30/114**
- (58) **Field of Classification Search**
USPC D30/108, 109, 113, 114, 115, 117, 118,
D30/199, 158, 160; D21/837, 834, 838,
D21/839, 253, 254; D3/213-217, 273,
D3/276, 289, 301, 303, 242; D25/13,
D25/16-20, 26, 56
CPC A01K 1/00; A01K 31/22; A01K 31/17;
A01K 1/033; A01K 1/035; A01K 31/18;
A01K 1/0245; A01K 1/0353; A01K 1/03;
A01K 1/0254; A01K 31/08; A01K 31/32;
A01K 1/032; E04H 15/40; E04H 15/18;
E04H 15/00; E04H 15/34; E04B 1/32
See application file for complete search history.

(56) **References Cited**

U.S. PATENT DOCUMENTS

D222,238 S *	10/1971	Rehrig	220/485
D232,813 S *	9/1974	Myers	D3/306
4,445,459 A *	5/1984	Julie	A01K 1/0236
				119/28.5
D299,567 S *	1/1989	Willingham	D30/116
D300,377 S *	3/1989	Willingham	D30/116

D432,013 S *	10/2000	Glees	D3/306
D614,815 S *	4/2010	Co	D30/114
D621,100 S *	8/2010	Simpson	D30/108
D652,998 S *	1/2012	Cantwell	D30/114
D653,405 S *	1/2012	Cantwell	D30/114
D653,814 S *	2/2012	Cantwell	D30/114
D655,505 S *	3/2012	James	D3/306
D670,080 S *	11/2012	James	D3/304
D670,448 S *	11/2012	Cantwell	D30/114
D672,511 S *	12/2012	Cantwell	A01K 1/0245
				D30/114
D673,737 S *	1/2013	Cantwell	D30/114
D707,505 S *	6/2014	Woodard	D8/1
9,399,889 B2 *	7/2016	Cantwell	A01K 1/032
2012/0145087 A1 *	6/2012	Nichols	A01K 1/03
				119/474
2012/0186529 A1 *	7/2012	Cantwell	A01K 1/0245
				119/474

(Continued)

Primary Examiner — Caron D Veynar
Assistant Examiner — Katrina N Gonzalez
 (74) *Attorney, Agent, or Firm* — Timothy D. St. Clair;
 Parker Poe Adams & Bernstein LLP

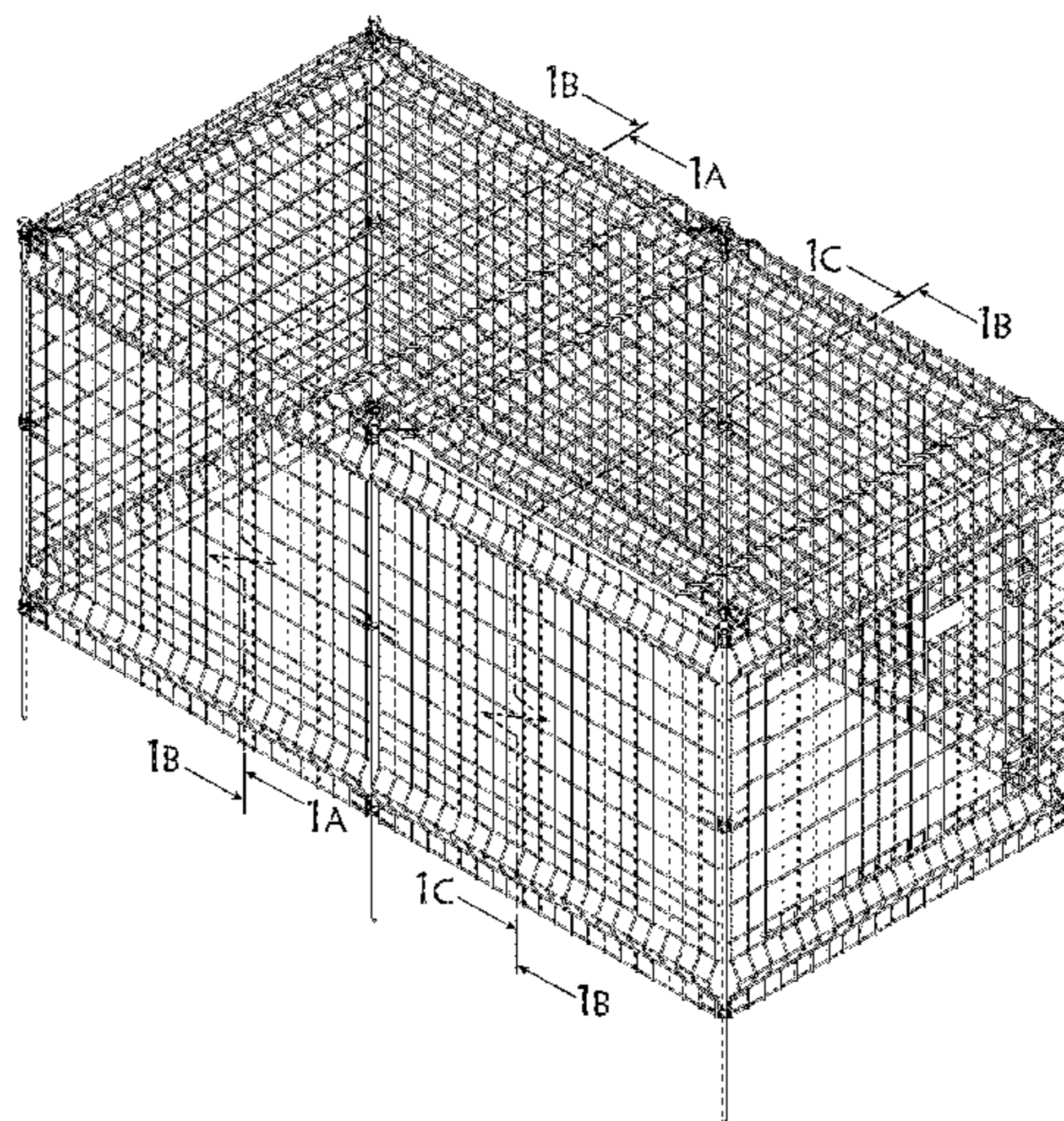
(57) **CLAIM**

The ornamental design for an animal enclosure, as shown and described.

DESCRIPTION

FIG. 1 is a front, side, top perspective view of the present invention;
 FIGS. 1A-1C are close-up, perspective views of the left side, the center and the right side, respectively, of the invention shown in FIG. 1;
 FIG. 2 is a top plan view thereof;
 FIG. 3 is a front elevation view thereof;
 FIG. 4 is a right side elevation view thereof;
 FIG. 5 is a left side elevation view thereof;
 FIG. 6 is a back elevation view thereof; and,
 FIG. 7 is a bottom plan view thereof.

1 Claim, 10 Drawing Sheets



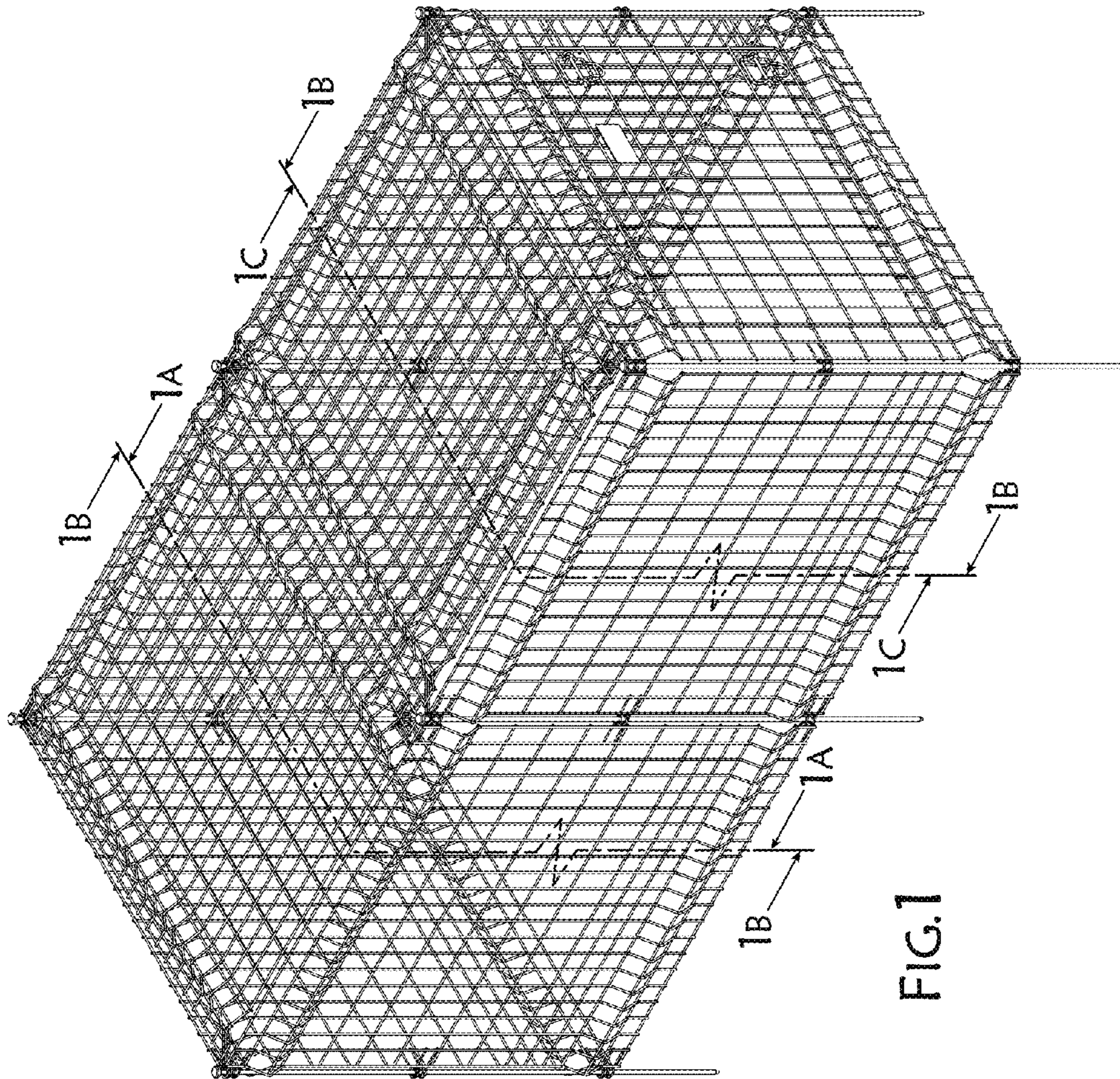
(56)

References Cited

U.S. PATENT DOCUMENTS

2012/0227675 A1* 9/2012 Link A01K 1/0017
119/474
2015/0305297 A1* 10/2015 Link A01K 1/0245
119/474
2016/0348401 A1* 12/2016 Veness E05B 65/5207

* cited by examiner



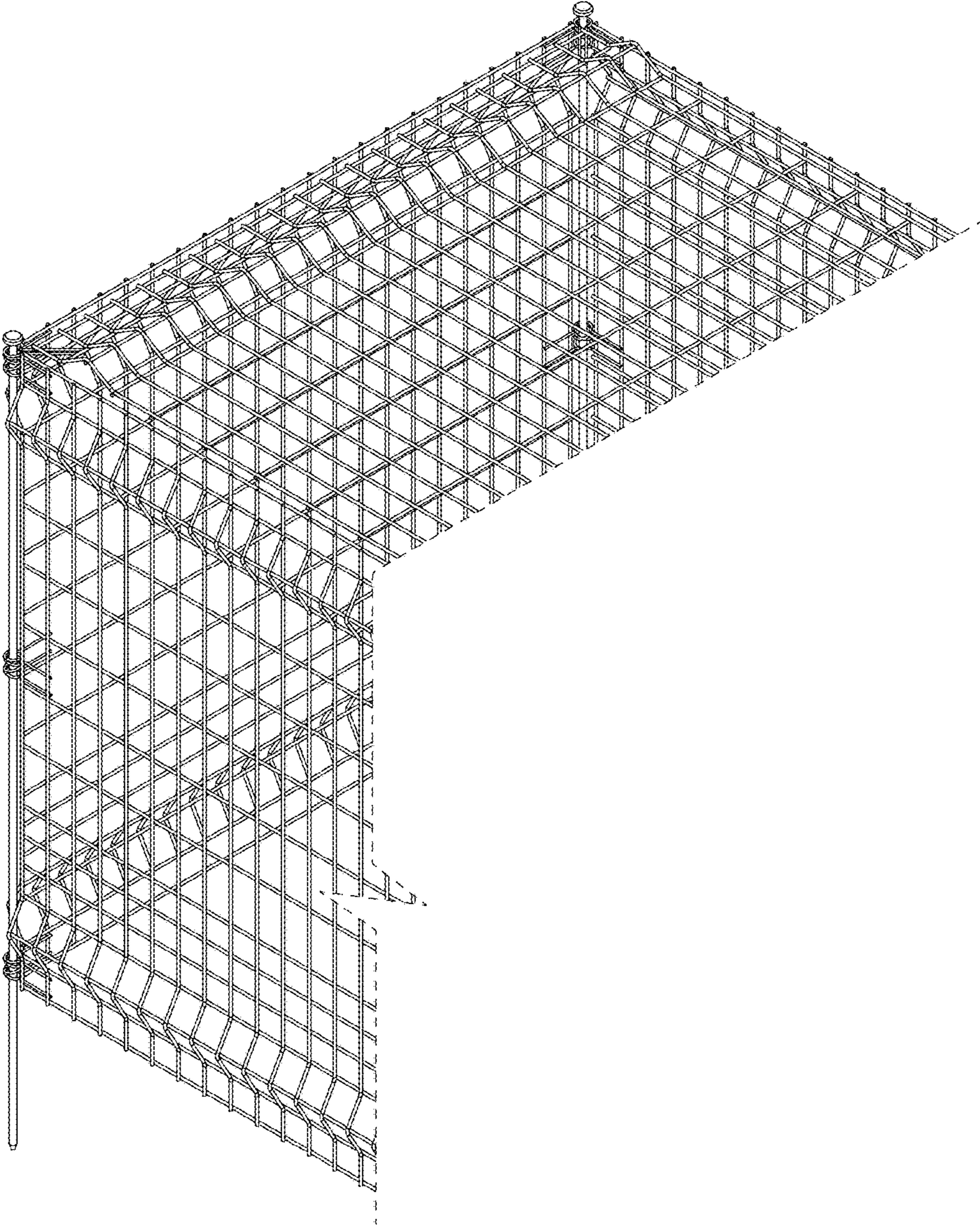


FIG.1A

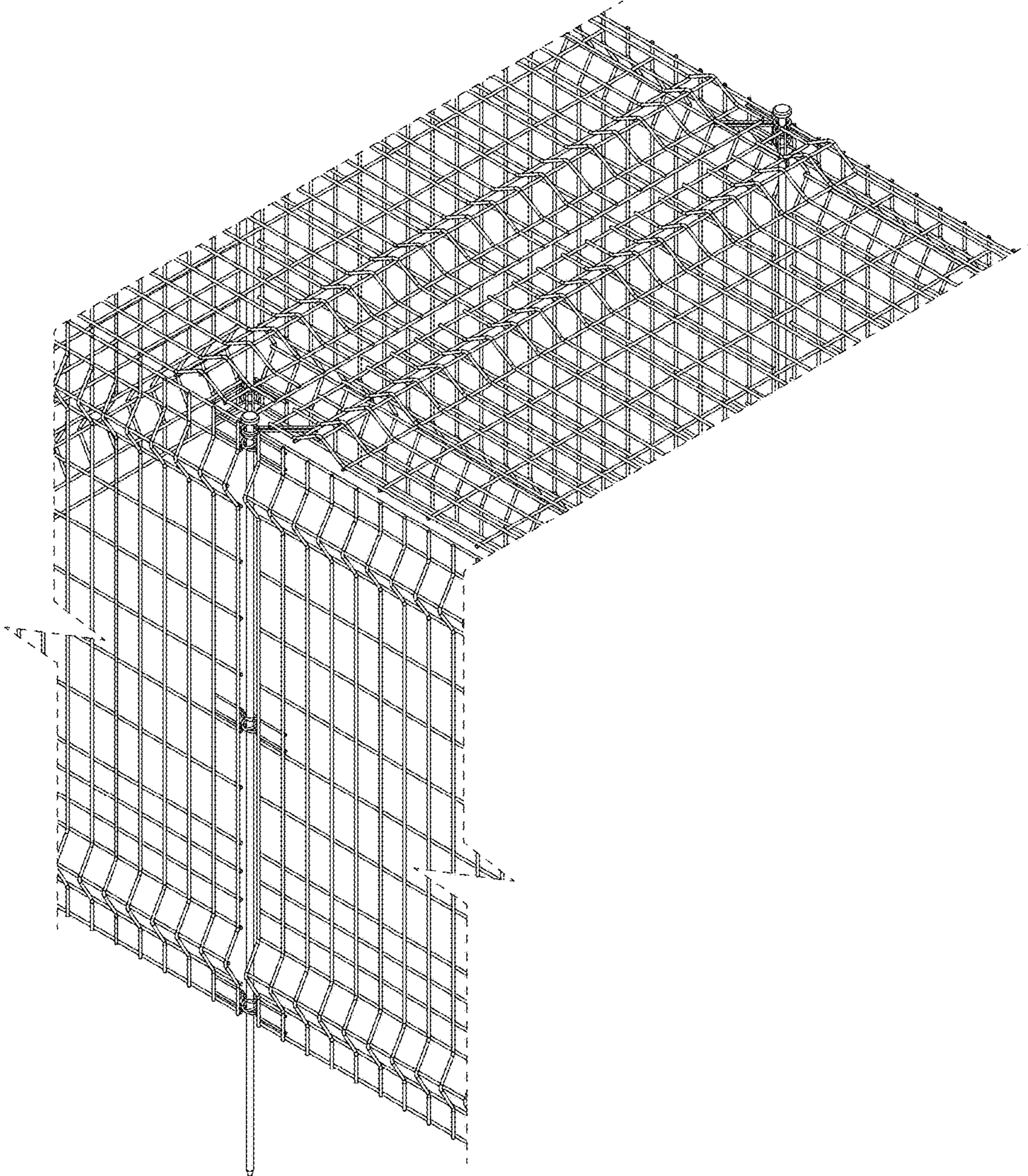


FIG. 1B

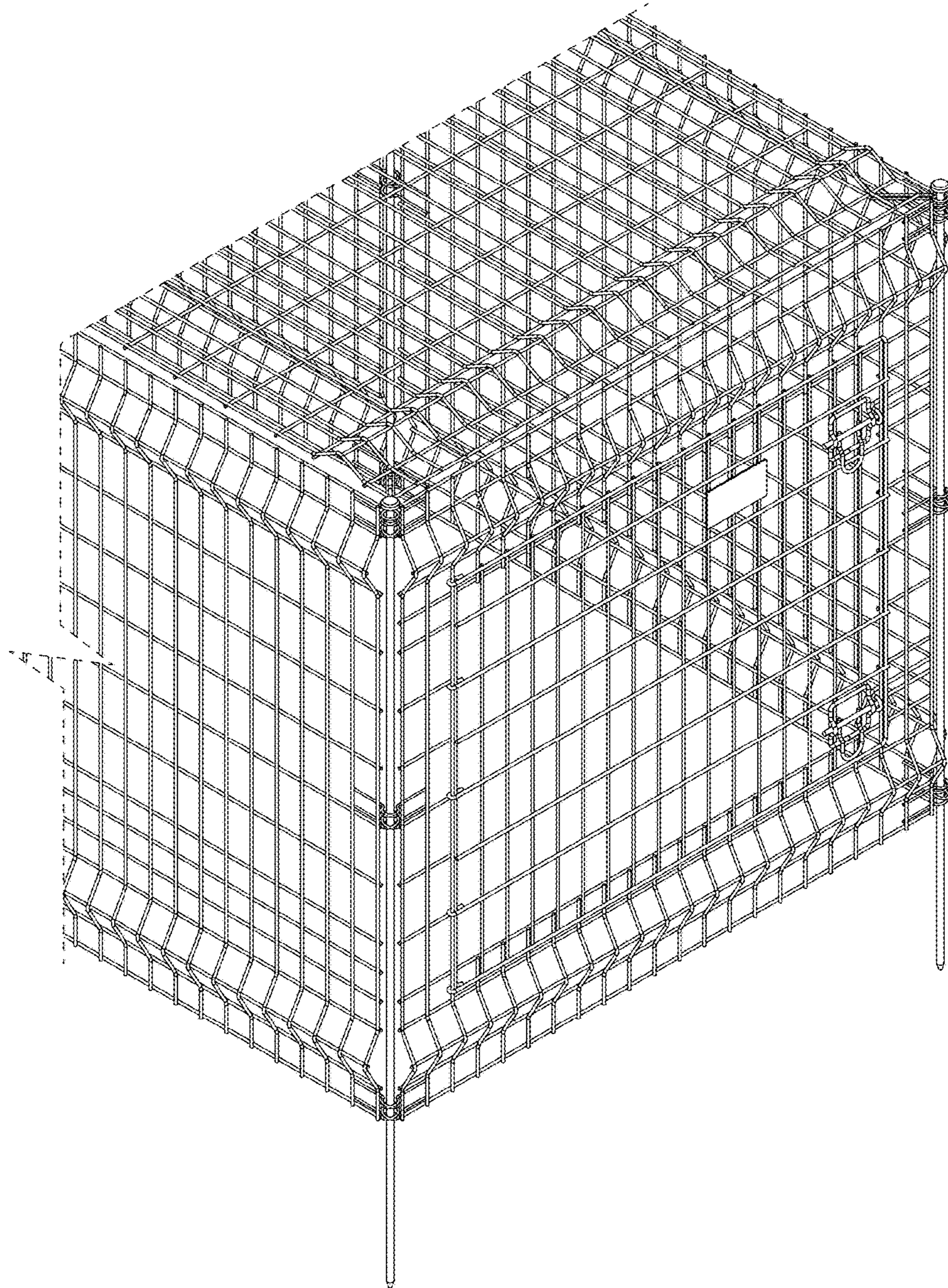


FIG.1C

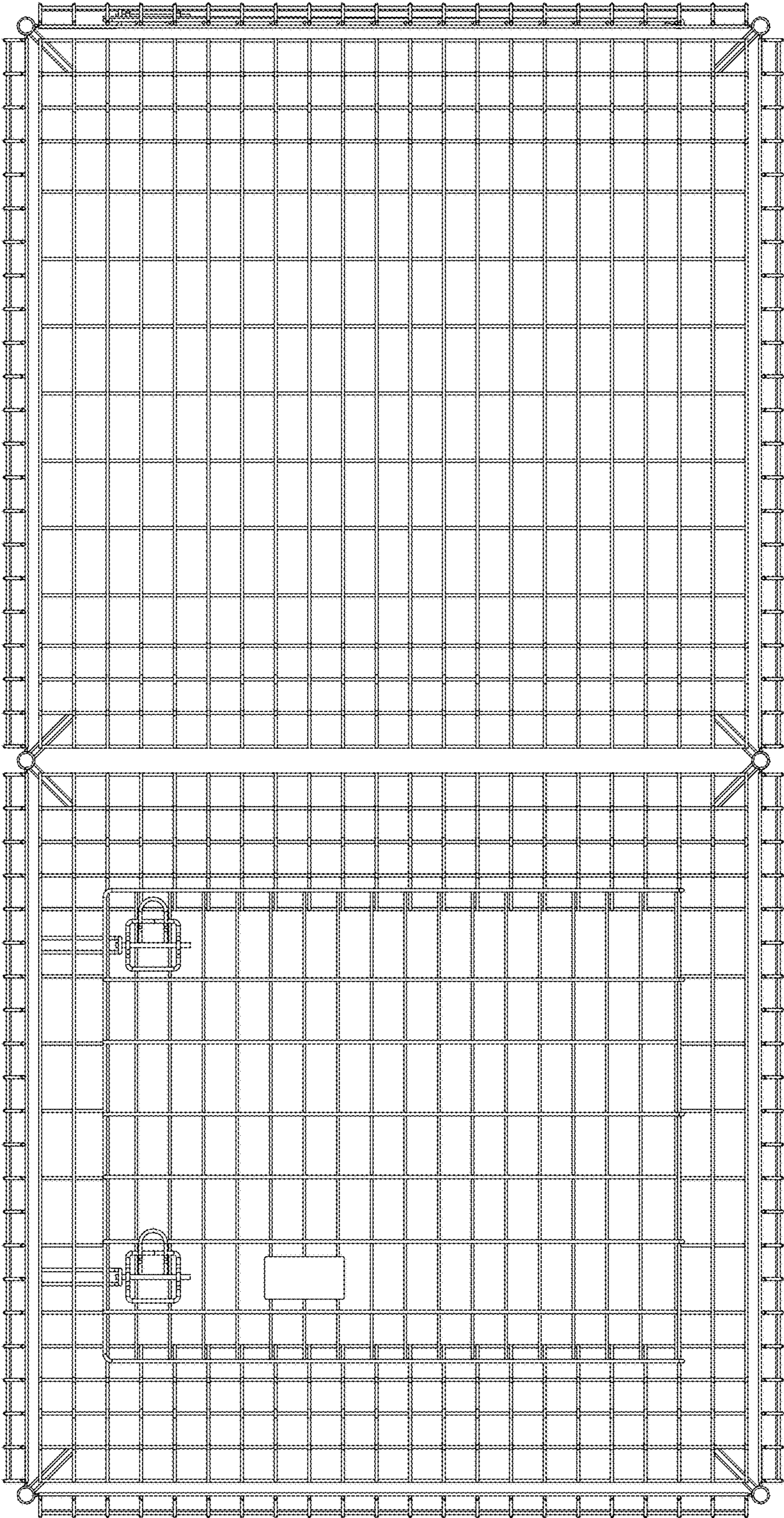


FIG.2

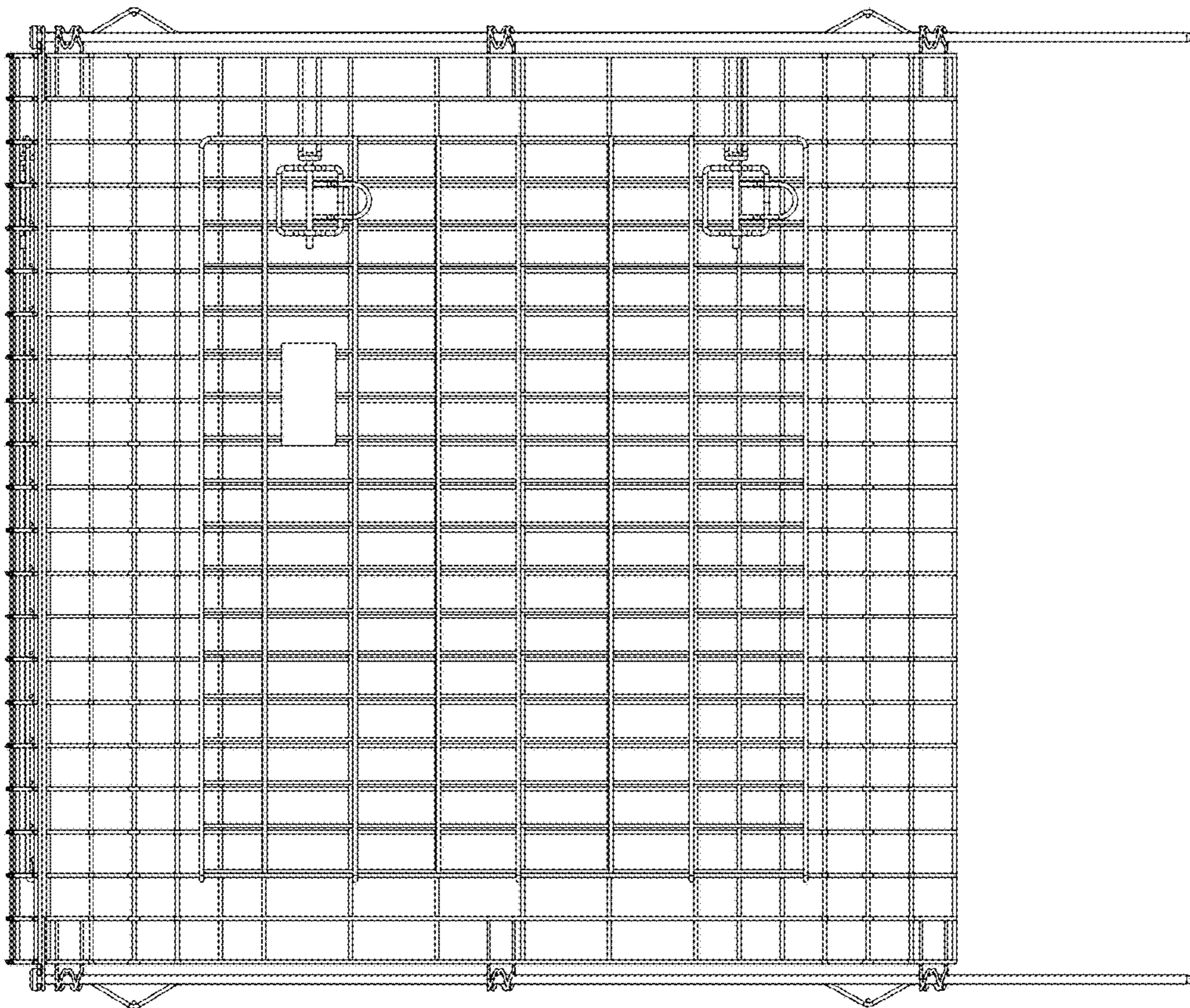


FIG.3

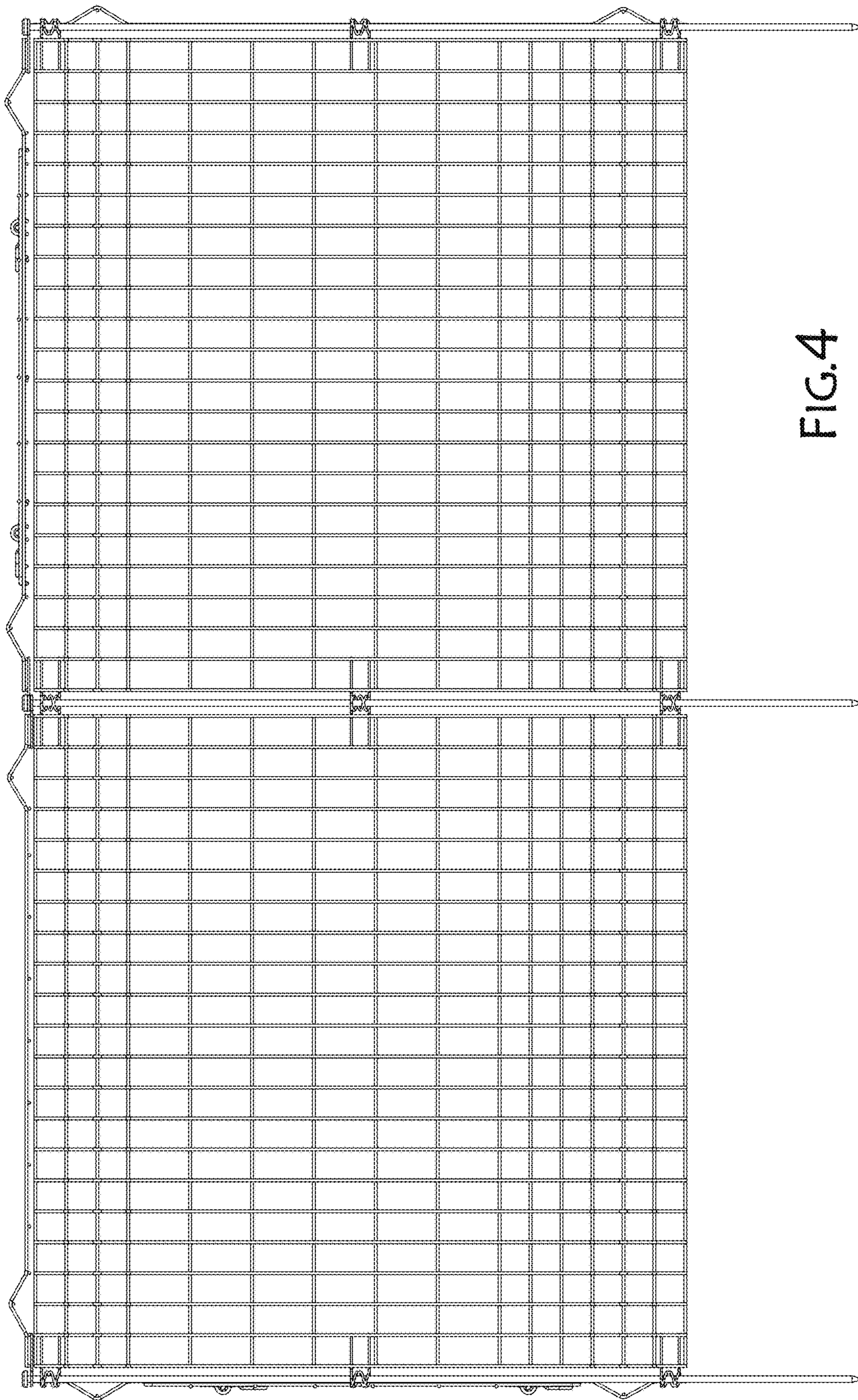


FIG.4

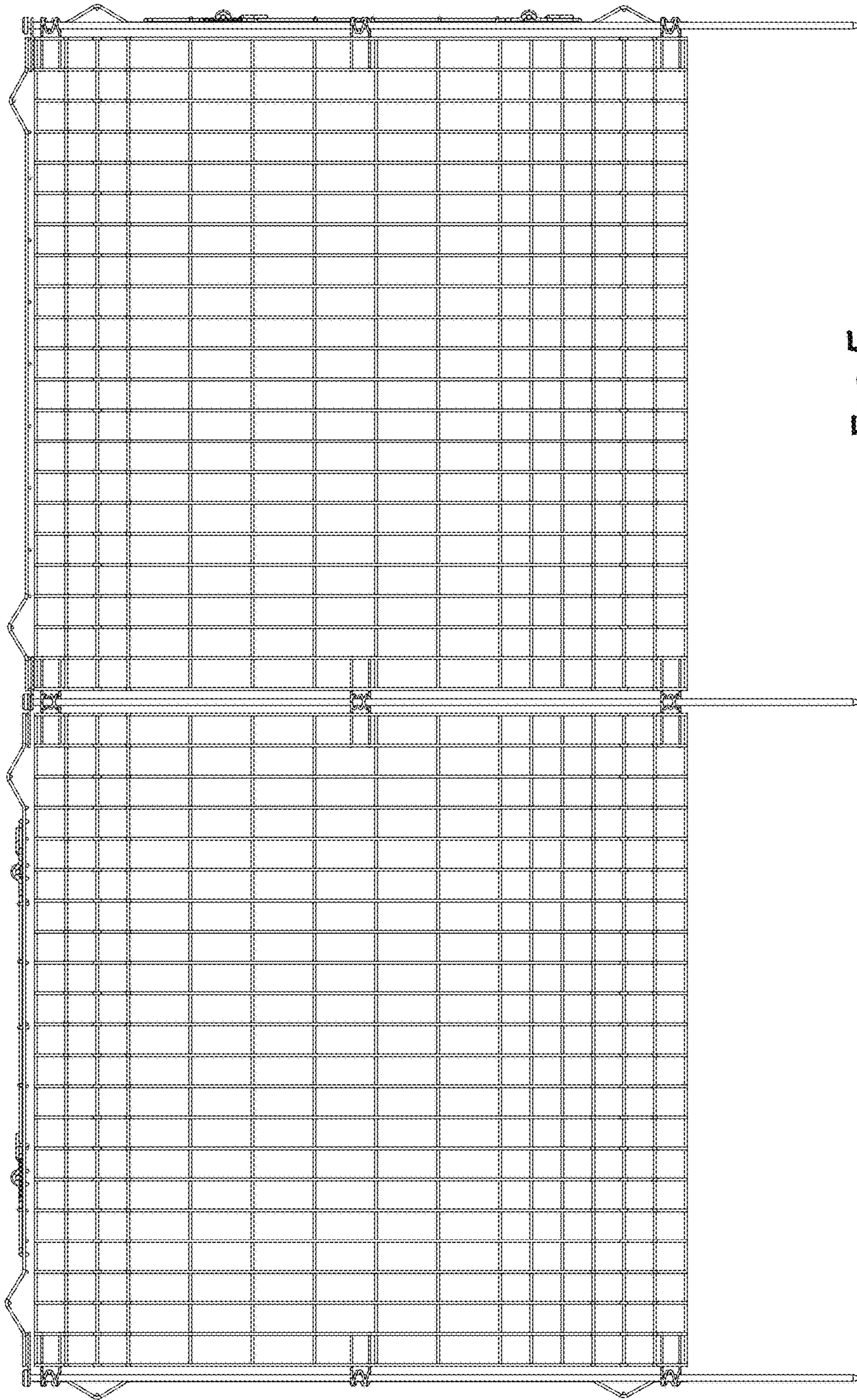


FIG. 5

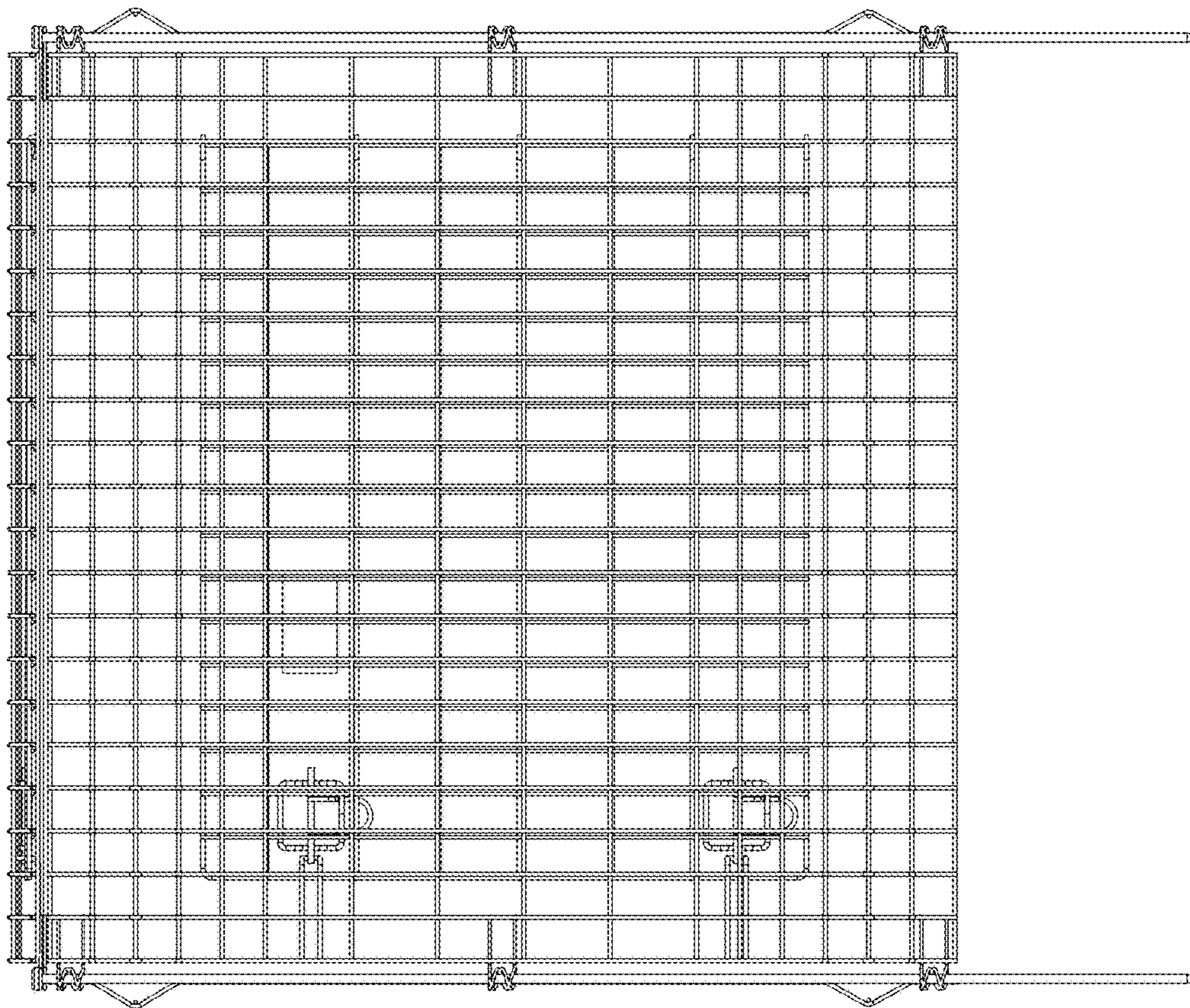


FIG.6

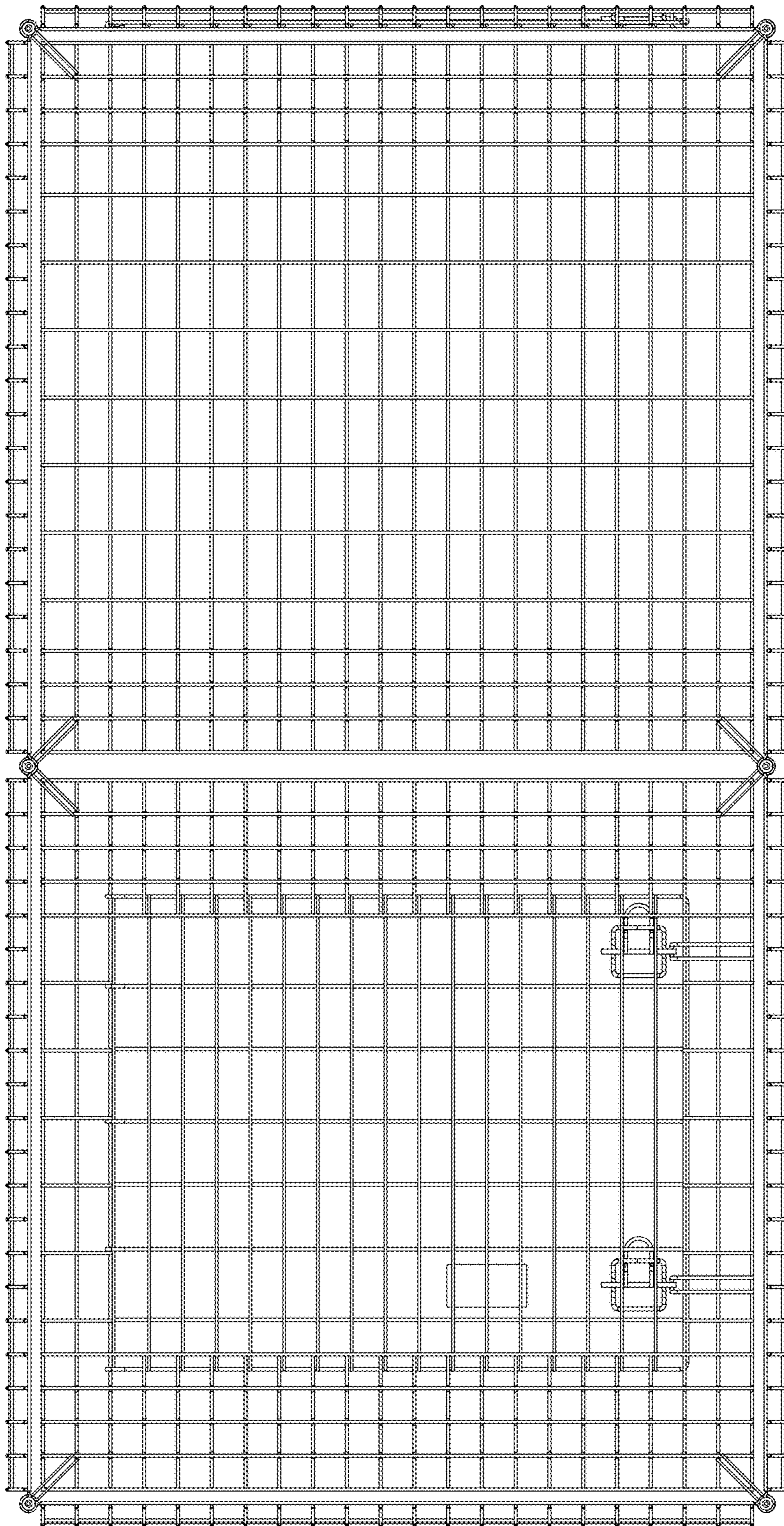


FIG. 7