



US00D825108S

(12) **United States Design Patent** (10) **Patent No.:** **US D825,108 S**
Yiu (45) **Date of Patent:** **** Aug. 7, 2018**

- (54) **CARTRIDGE FOR COSMETIC DEVICE**
- (71) Applicant: **Soft Lines International, Ltd.**,
Kowloon (HK)
- (72) Inventor: **Wai Wah Yiu**, Kowloon (HK)
- (73) Assignee: **SOFT LINES INTERNATIONAL, LTD.**, Kowloon (HK)

2,867,214 A	1/1959	Wilson
2,936,768 A	5/1960	Chamberlain
3,581,393 A	6/1971	Yager
3,635,811 A	1/1972	Lane
D287,298 S	12/1986	Kibe et al.
4,935,184 A	6/1990	Sorensen
5,033,485 A	7/1991	Hauerwas et al.
5,281,233 A	1/1994	Dolev

(Continued)

- (**) Term: **15 Years**
- (21) Appl. No.: **29/555,304**
- (22) Filed: **Feb. 19, 2016**

FOREIGN PATENT DOCUMENTS

CN	101116576	2/2008
CN	201051937	4/2008

(Continued)

Related U.S. Application Data

- (63) Continuation of application No. 29/522,909, filed on Apr. 3, 2015, now Pat. No. Des. 753,343, which is a continuation of application No. 29/502,870, filed on Sep. 19, 2014, now Pat. No. Des. 726,372, which is a continuation of application No. 14/035,075, filed on Sep. 24, 2013, now Pat. No. 9,339,099, which is a continuation of application No. 13/324,935, filed on Dec. 13, 2011, now Pat. No. 8,551,117.

- (51) **LOC (11) Cl.** **28-03**
- (52) **U.S. Cl.**
USPC **D28/59; D28/62**

- (58) **Field of Classification Search**
USPC 132/73, 73.5-73.6, 75.3, 75.6, 75.8, 132/76.4-76.5; D28/56-59, 49-54, 62; 30/43.92, 34.1, 26; D24/146, 133; 606/131-134; 607/88
CPC A61B 17/54; A45D 44/00; A45D 29/00; A45D 29/14; A45D 29/05
See application file for complete search history.

- (56) **References Cited**

U.S. PATENT DOCUMENTS

1,482,837 A	2/1924	Buck
2,395,296 A	2/1946	Schwab

OTHER PUBLICATIONS

Rotoshave youtube commercial, www.youtube.com, published Jan. 25, 2010, 1 page.*

(Continued)

Primary Examiner — Jennifer Rivard
(74) *Attorney, Agent, or Firm* — Foley & Lardner LLP

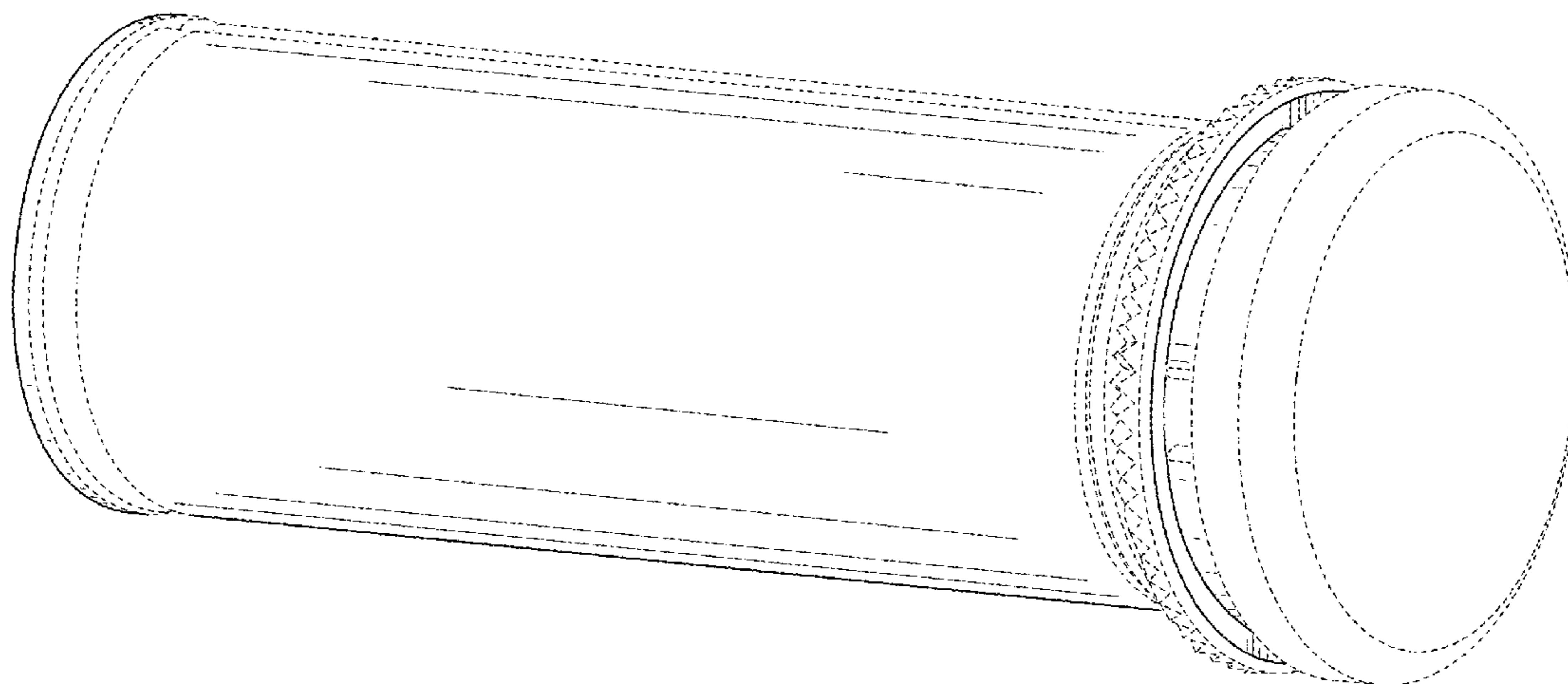
(57) **CLAIM**

I claim the ornamental design for a cartridge for cosmetic device, as shown and described.

DESCRIPTION

FIG. 1 is a top perspective view of the claimed design; FIG. 2 is a top perspective view thereof rotated into a second position; FIG. 3 is a front elevation view thereof, the rear elevation view being a mirror image thereof; and, FIG. 4 is a top plan view thereof. The dash-dot-dash broken lines illustrate the boundary of the claim. The remaining broken lines illustrate portions of the cartridge. None of the broken lines form part of the claimed design.

1 Claim, 3 Drawing Sheets



(56)

References Cited

U.S. PATENT DOCUMENTS

5,377,699 A 1/1995 Varnum
 5,383,273 A 1/1995 Muller et al.
 D409,335 S 5/1999 Slater
 5,918,607 A 7/1999 Zucker
 5,976,157 A 11/1999 Yiu
 6,055,731 A 5/2000 Zucker
 6,123,713 A 9/2000 Yiu
 6,159,222 A 12/2000 Yiu
 D443,627 S 6/2001 West
 6,305,084 B1 10/2001 Zucker
 6,391,034 B1 5/2002 Adamson et al.
 6,436,106 B2 8/2002 Yiu
 6,442,840 B2 9/2002 Zucker
 6,471,712 B2 10/2002 Burres
 6,523,546 B2 2/2003 Jo et al.
 6,551,262 B1 4/2003 Lechtman
 D487,661 S 3/2004 Signorati
 6,824,461 B1 11/2004 Dolev
 6,824,546 B1 11/2004 Yiu
 D499,842 S 12/2004 Yiu
 D509,626 S 9/2005 Yiu
 D523,556 S * 6/2006 Glucksman D24/133
 D543,660 S 5/2007 Cheung
 D556,380 S 11/2007 Long
 7,347,211 B1 3/2008 Macklin
 D581,596 S 11/2008 Sarway
 D598,165 S 8/2009 Platek
 7,581,545 B1 9/2009 Moldawski et al.
 7,597,696 B2 10/2009 Poran
 D611,198 S 3/2010 Platek
 D626,693 S 11/2010 Harbeke
 D628,744 S 12/2010 Goetschi
 D638,166 S 5/2011 Martinez De San Vicente
 D645,204 S 9/2011 Platek
 8,137,363 B2 3/2012 Cho
 8,316,546 B2 11/2012 Oh
 D676,200 S 2/2013 Yiu
 D678,614 S 3/2013 Yiu
 D681,277 S 4/2013 Yiu
 D686,370 S 7/2013 Yiu
 D692,181 S 10/2013 Yiu
 8,545,516 B1 10/2013 Winnett et al.
 8,601,696 B2 12/2013 Ben-Ari
 D701,648 S 3/2014 Yiu
 D706,487 S 6/2014 Yiu
 D706,986 S 6/2014 Yiu
 D709,650 S 7/2014 Yiu

D715,493 S 10/2014 Yiu
 D715,495 S 10/2014 Yiu
 D726,372 S 4/2015 Yiu
 D733,965 S 7/2015 Yiu
 D737,518 S 8/2015 Yiu
 D737,519 S 8/2015 Yiu
 D737,520 S 8/2015 Yiu
 2002/0050278 A1 5/2002 Jo et al.
 2002/0107527 A1 8/2002 Burres
 2004/0181241 A1 9/2004 Jo et al.
 2004/0185067 A1 9/2004 Daikuzono
 2005/0187563 A1 8/2005 Yiu
 2006/0218793 A1 10/2006 Zucker
 2006/0260629 A1 11/2006 Chern
 2007/0125097 A1 6/2007 Habatjou
 2008/0187563 A1 8/2008 Levy
 2008/0301947 A1 * 12/2008 Dorber B26B 19/48
 30/34.05
 2009/0004953 A1 1/2009 Kinsey
 2009/0182349 A1 7/2009 Poran
 2009/0301507 A1 12/2009 Tes et al.
 2013/0081645 A1 4/2013 Caviness

FOREIGN PATENT DOCUMENTS

CN 101312692 11/2008
 CN 101933879 1/2011
 DE 37 40 902 12/1988
 DE 20104304 U1 5/2001
 DE 20 2008 005 686 7/2008
 EP 1 707 326 10/2006
 FR 2728777 7/1996
 JP 48-042304 12/1973
 JP 59-137084 8/1984
 JP 2006-055489 3/2006
 KR 10-2007-0017427 2/2007
 KR 10200717427 2/2007
 WO WO-02/28296 4/2002
 WO WO-2004/002339 1/2004
 WO WO-2009/065184 5/2009

OTHER PUBLICATIONS

MENhancing using the Rotoshave razor, www.youtube.com, upload date Feb. 18, 2009, 10 pages.*
 Emjoi RotoShave, First Electric Razor, www.youtube.com/watch?v=HKxUhMmP_rs&noredirect=1, retrieved on Jan. 6, 2014, 1 page.

* cited by examiner

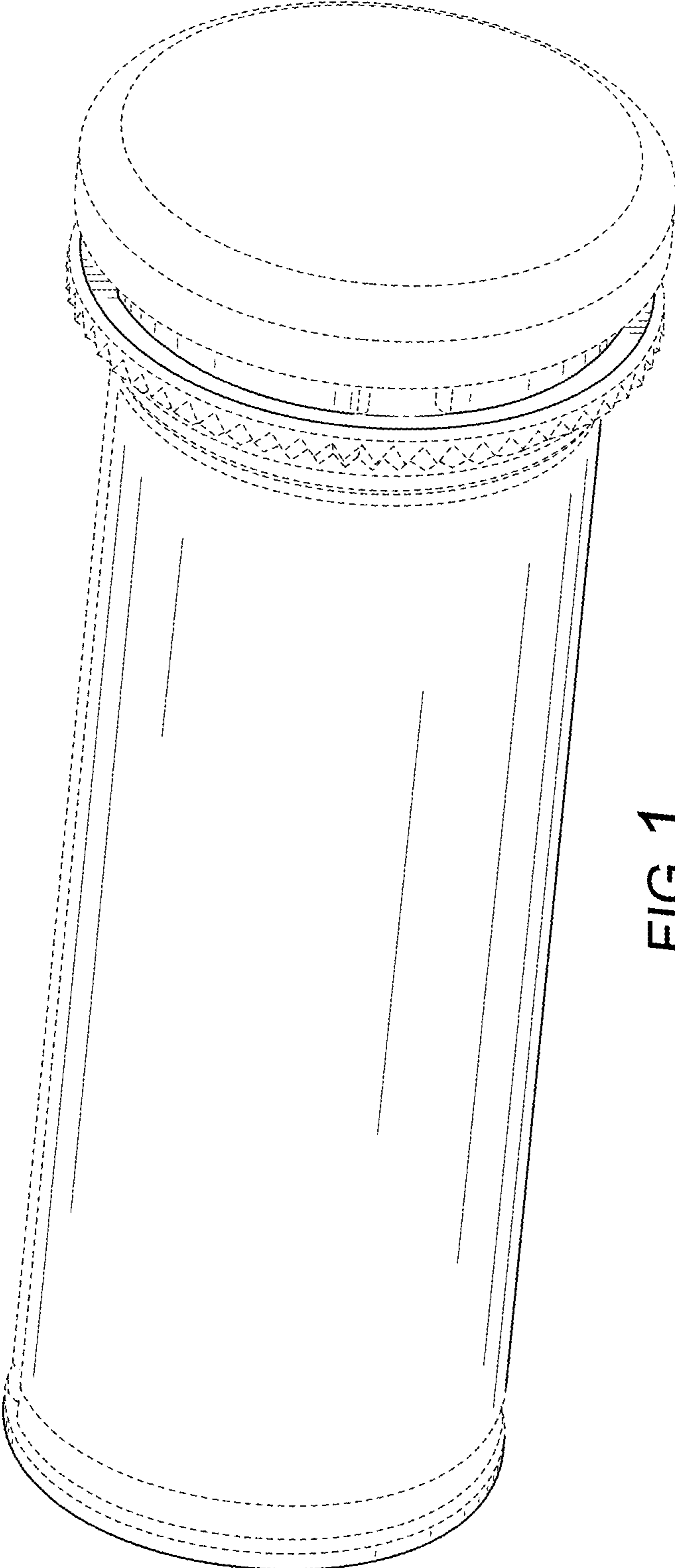


FIG. 1

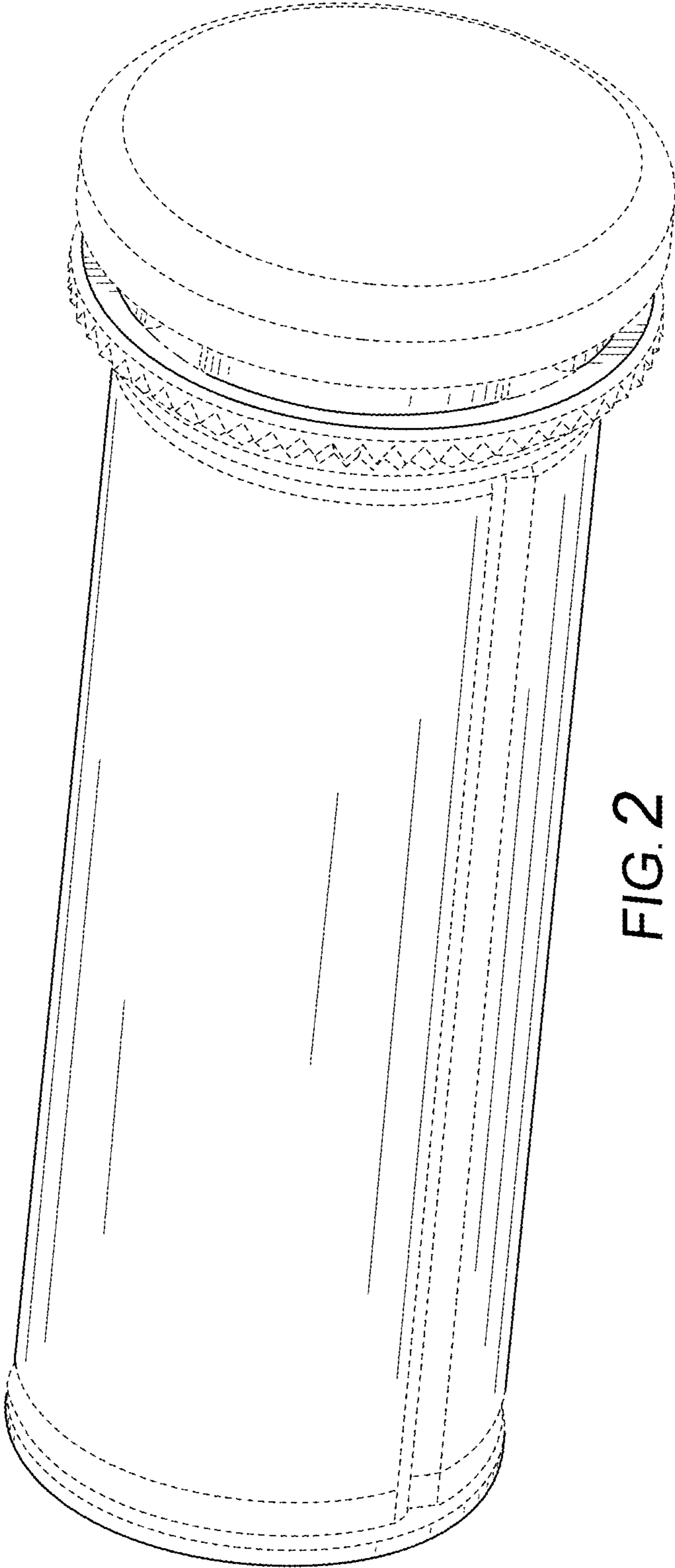


FIG. 2

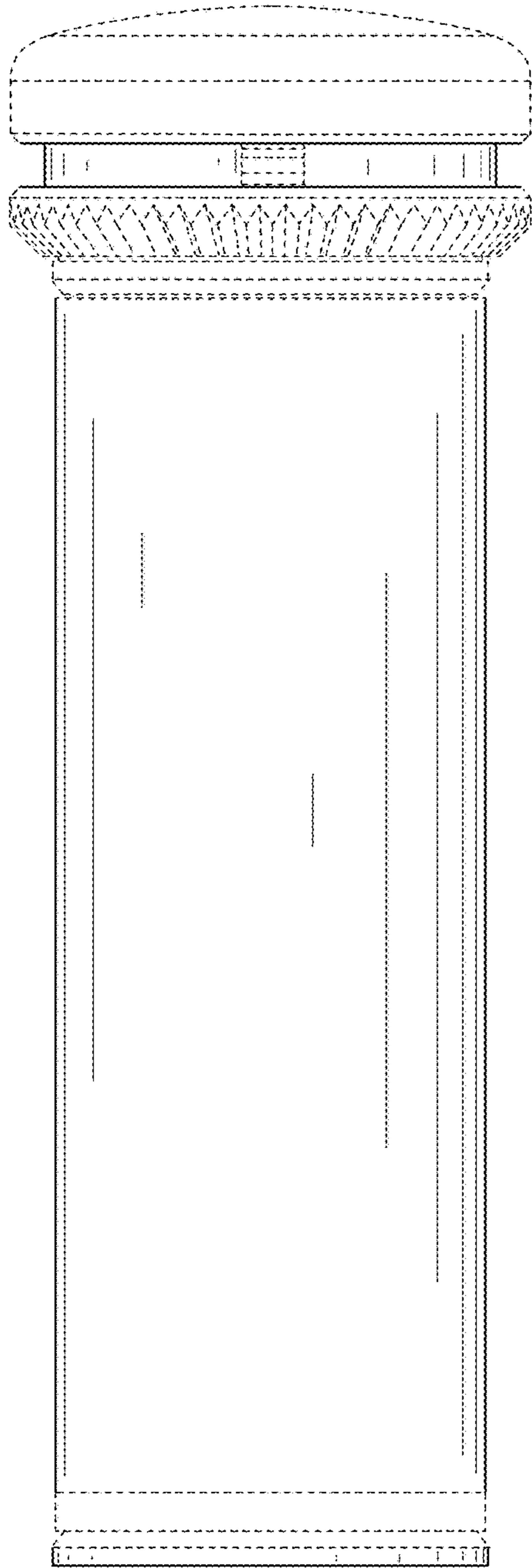


FIG. 3

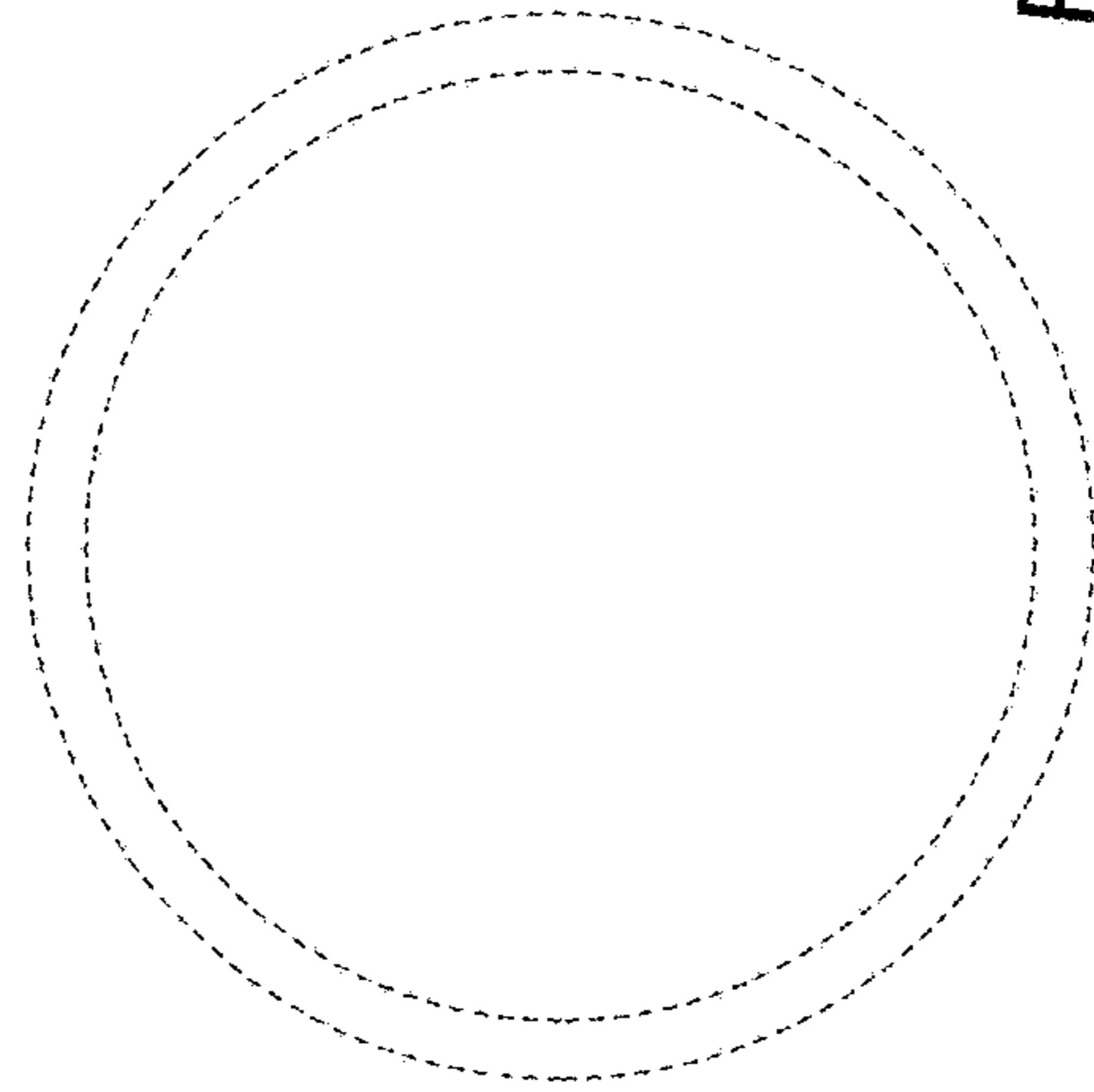


FIG. 4