



US00D825107S

(12) **United States Design Patent** (10) **Patent No.:** **US D825,107 S**
Du (45) **Date of Patent:** **** Aug. 7, 2018**

(54) **PROFESSIONAL CHARGING TYPE CONTROLLER**

(71) Applicant: **Ningbo JSDA Electronic Industry Co., Ltd., Ningbo (CN)**

(72) Inventor: **Peilin Du, Shenzhen (CN)**

(**) Term: **15 Years**

(21) Appl. No.: **29/603,593**

(22) Filed: **May 10, 2017**

(51) **LOC (11) Cl.** **28-03**

(52) **U.S. Cl.**
USPC **D28/58**

(58) **Field of Classification Search**
USPC D13/108, 110, 168; D24/133, 214;
D28/54.1, 57, 58, 59, 62, 99; 132/73,
132/73.5, 73.6, 75.3
CPC A45D 29/05; A45D 29/14; A45D 29/18;
A45D 29/20; H02J 7/0027; H02J 7/02

See application file for complete search history.

(56) **References Cited**

U.S. PATENT DOCUMENTS

D307,194 S *	4/1990	Chou	D28/58
5,640,979 A *	6/1997	Trenary	A45D 29/17 132/73
5,643,062 A *	7/1997	Joseph	A45D 29/05 451/296
6,050,270 A *	4/2000	Tyshenko, Jr.	A45D 29/05 132/73.6
D511,401 S *	11/2005	Park	D28/58
D603,334 S *	11/2009	Suzuki	D13/108
D603,561 S *	11/2009	Cho	D28/58
D636,725 S *	4/2011	Levy	D13/108
D687,599 S *	8/2013	Amit	D24/186
8,499,768 B1 *	8/2013	Pheng	A45D 29/20 132/73.5
D711,317 S *	8/2014	Zhou	D13/108
D788,369 S *	5/2017	Yiu	D28/58
9,793,750 B2 *	10/2017	Miller	H02J 7/1423

2003/0102002 A1 *	6/2003	Cho	A45D 29/05 132/73.6
2003/0117104 A1 *	6/2003	Liao	H02J 7/0042 320/107
2006/0260629 A1 *	11/2006	Chern	A45D 29/05 132/73.6
2011/0226268 A1 *	9/2011	Filonczuk	A45D 29/05 132/73.6
2013/0092182 A1 *	4/2013	Stockbauer	A45D 29/05 132/75.8

OTHER PUBLICATIONS

Ningbo JSDA Electronic Industry Co., Ltd; http://chinajsd.com/En/pro_detail/id/191/tid/2.html, date unknown.*

* cited by examiner

Primary Examiner — Selina Sikder

(74) *Attorney, Agent, or Firm* — Wayne & Ken, LLC; Tony Hom

(57) **CLAIM**

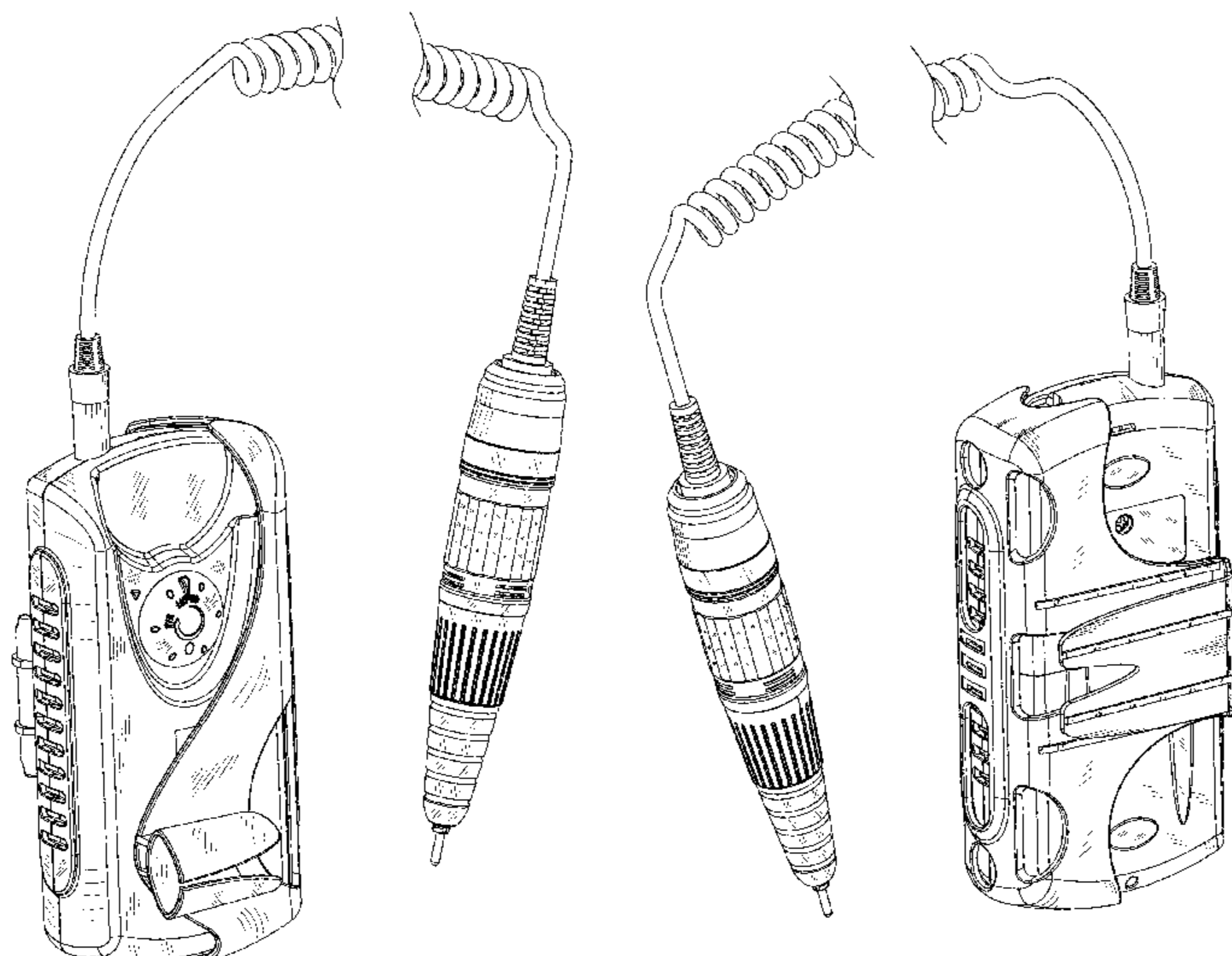
A new, original, ornamental design for a professional charging type controller, as shown.

DESCRIPTION

FIG. 1 is a perspective view of a professional charging type controller showing my new design;
FIG. 2 is another perspective view of a professional charging type controller showing my new design;
FIG. 3 is a front view thereof;
FIG. 4 is a back view thereof;
FIG. 5 is a left view thereof;
FIG. 6 is a right view thereof;
FIG. 7 is a top view thereof; and,
FIG. 8 is a bottom view thereof.

The cable is shown broken away in the drawings to indicate indeterminate length, it being understood that it has a uniform shape and appearance throughout its length.

1 Claim, 8 Drawing Sheets



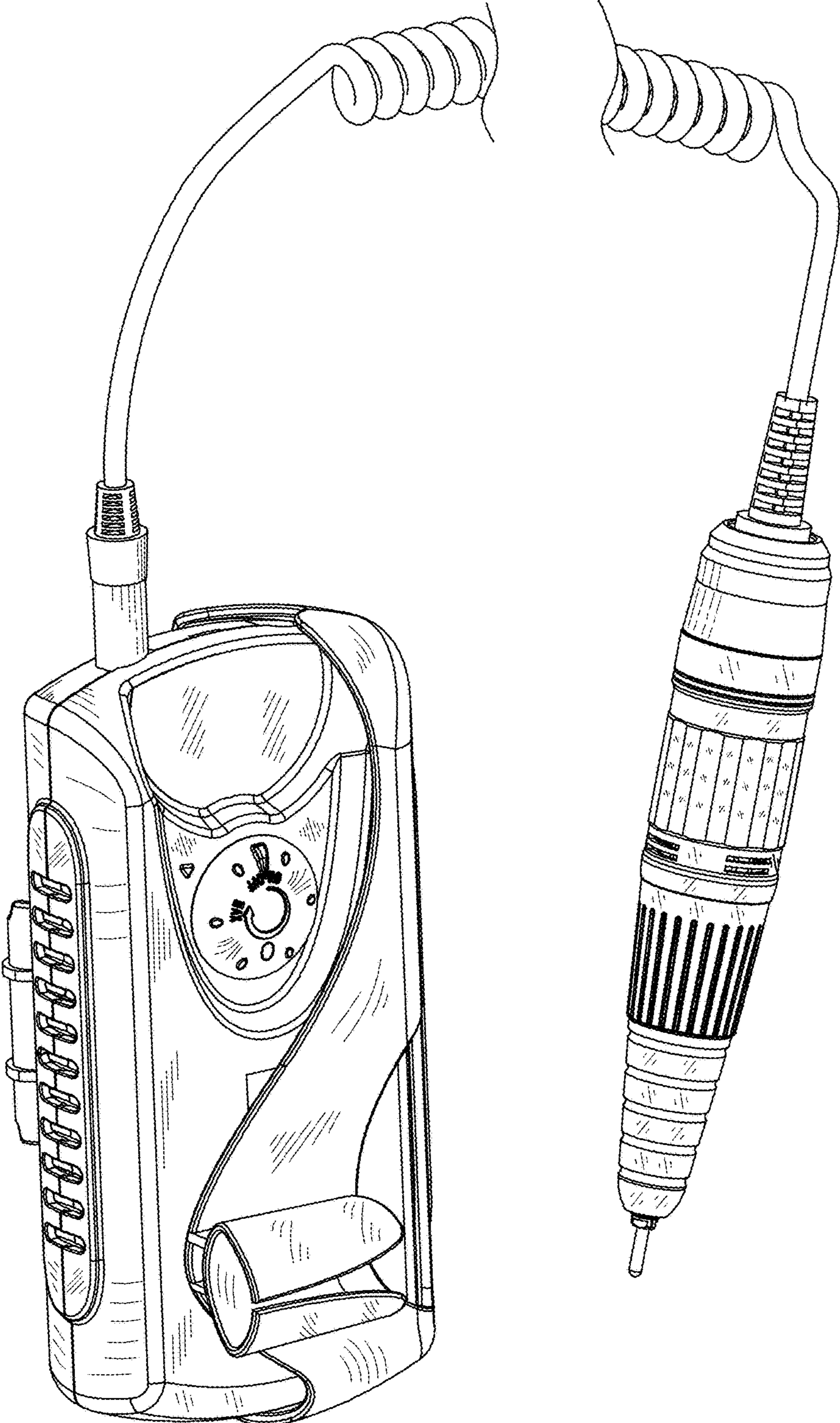


FIG.1

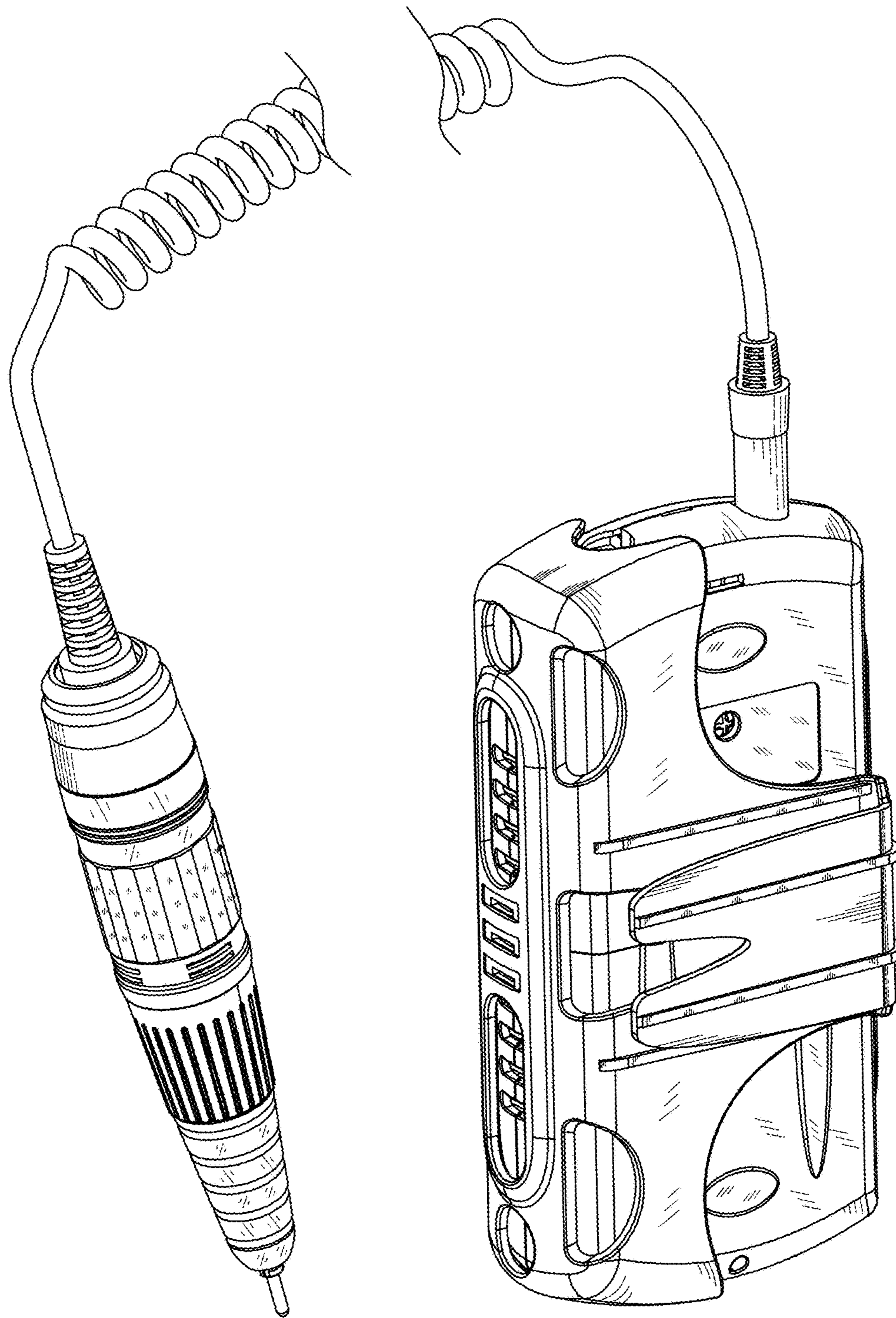


FIG.2

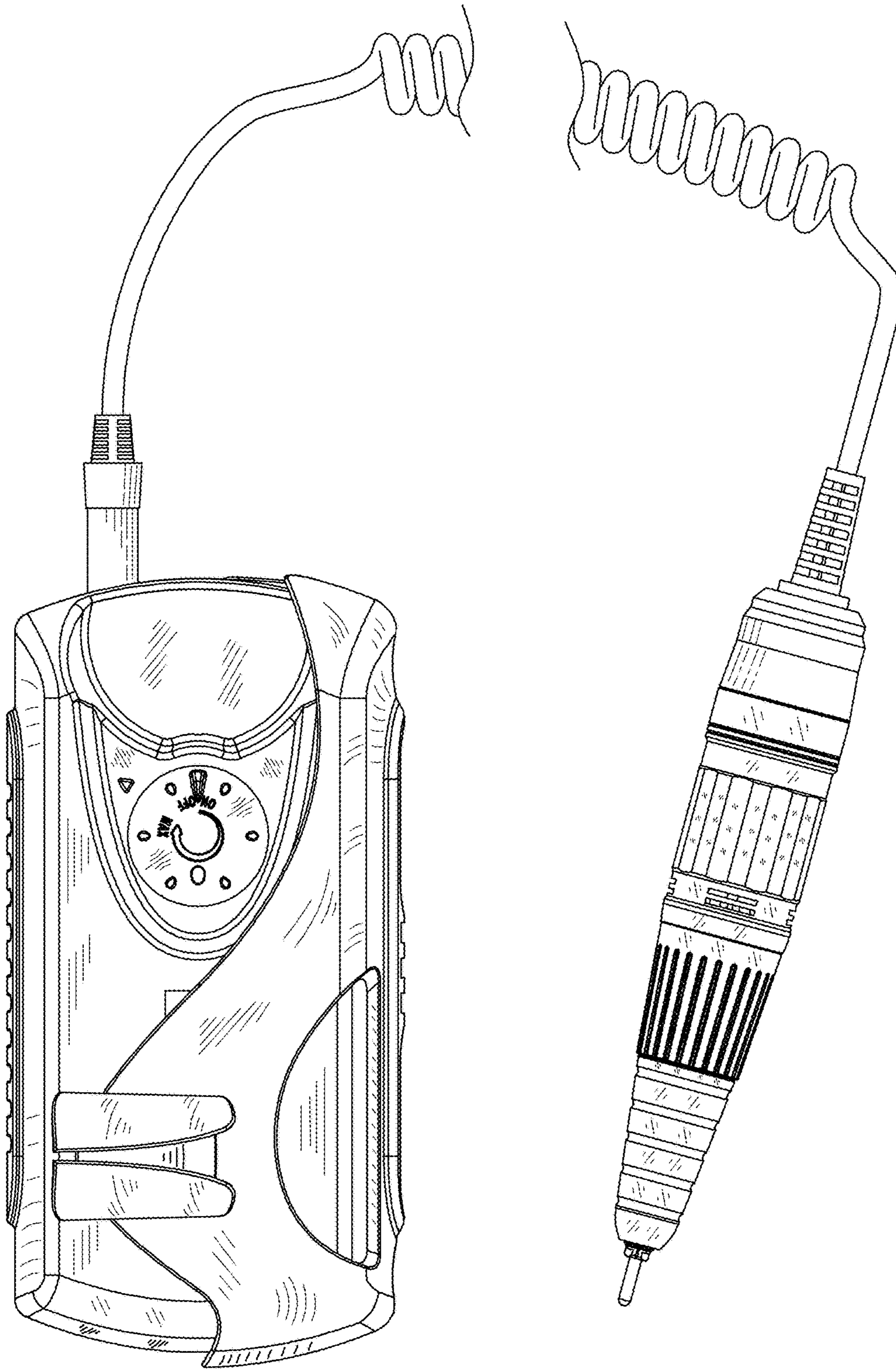


FIG.3

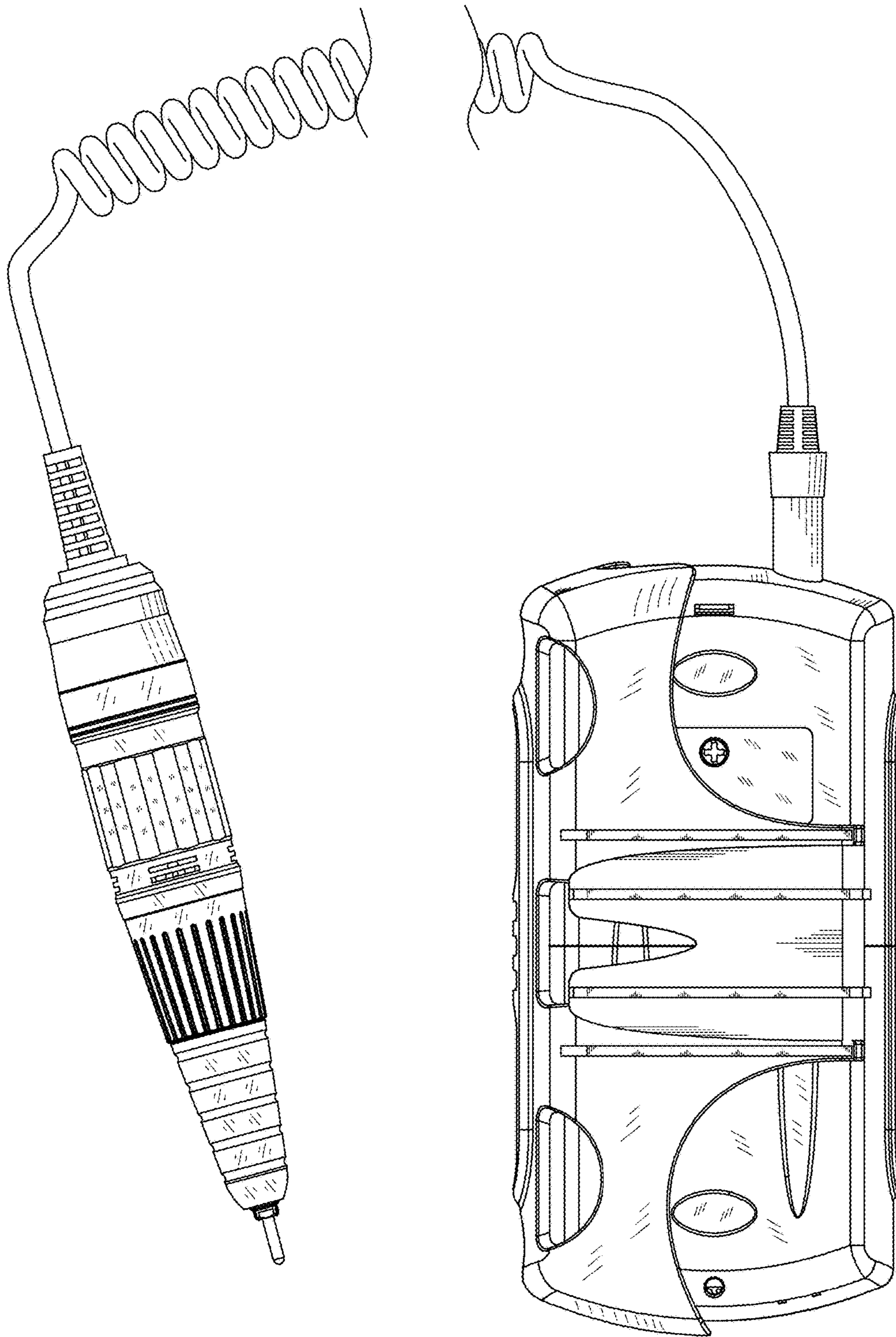


FIG.4

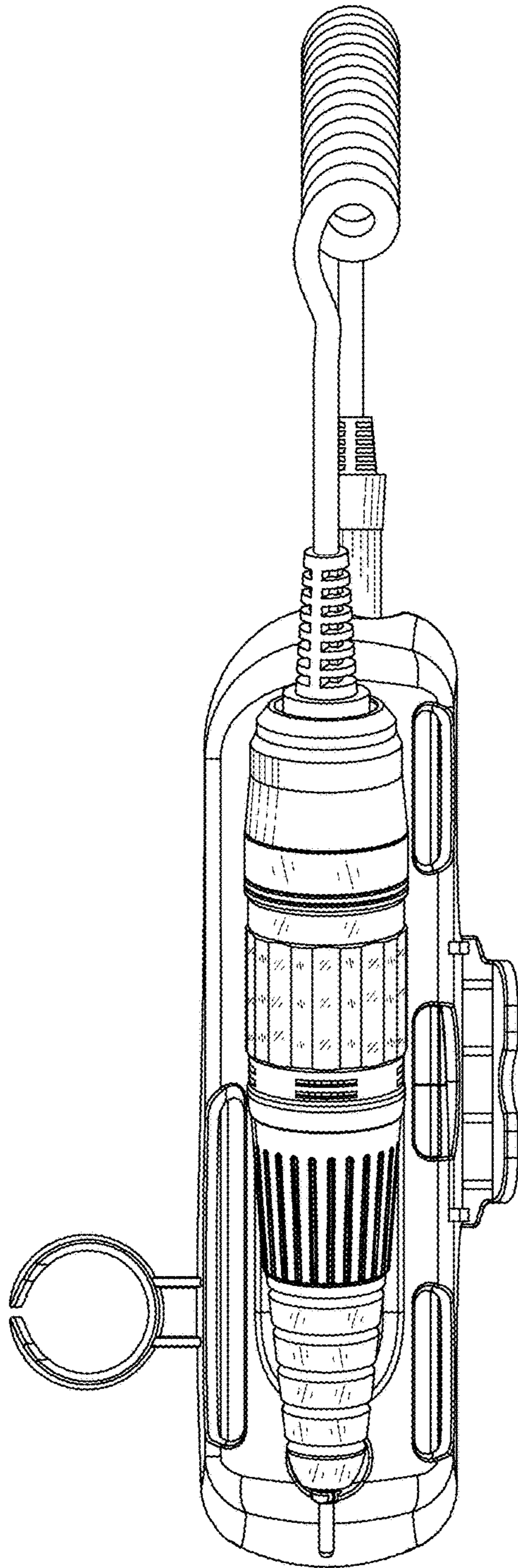


FIG.5

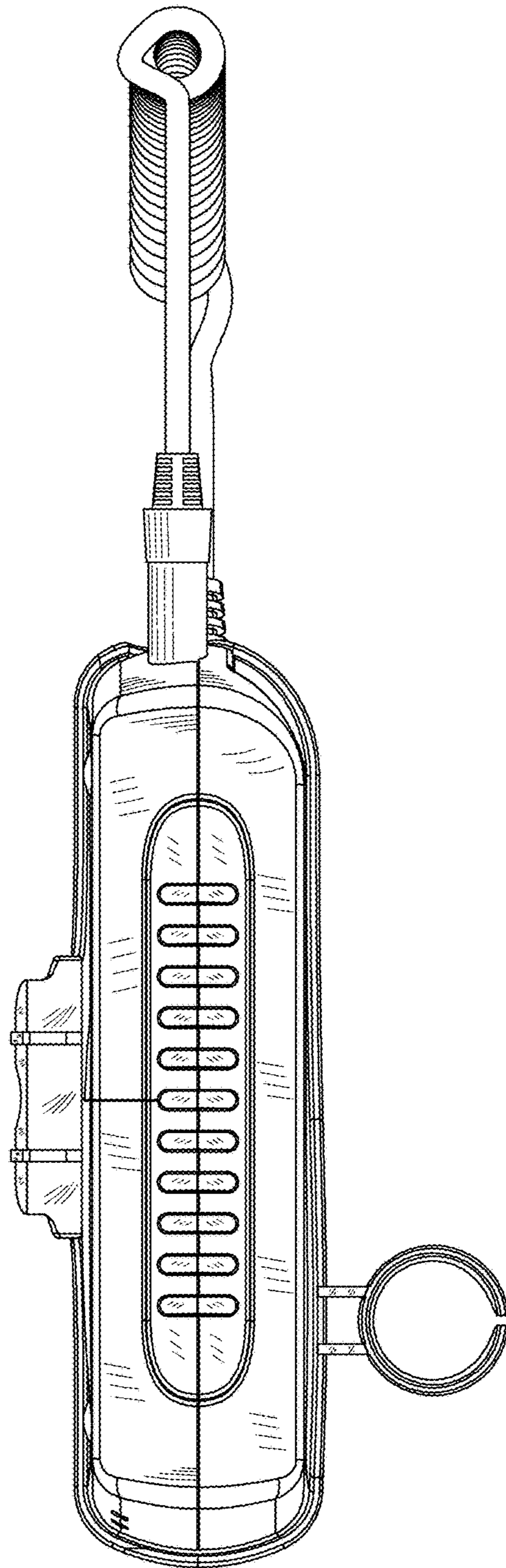


FIG.6

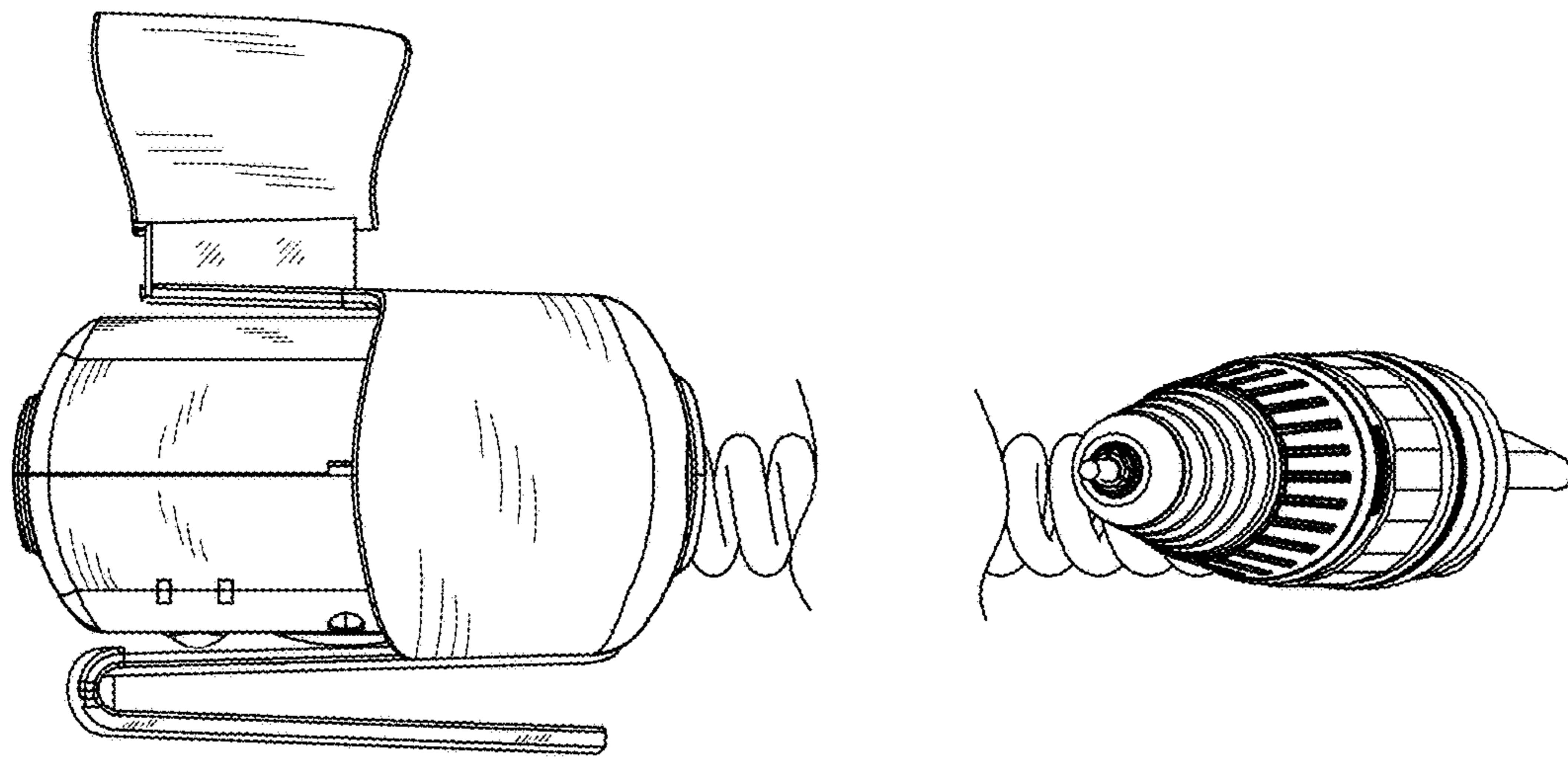


FIG.7

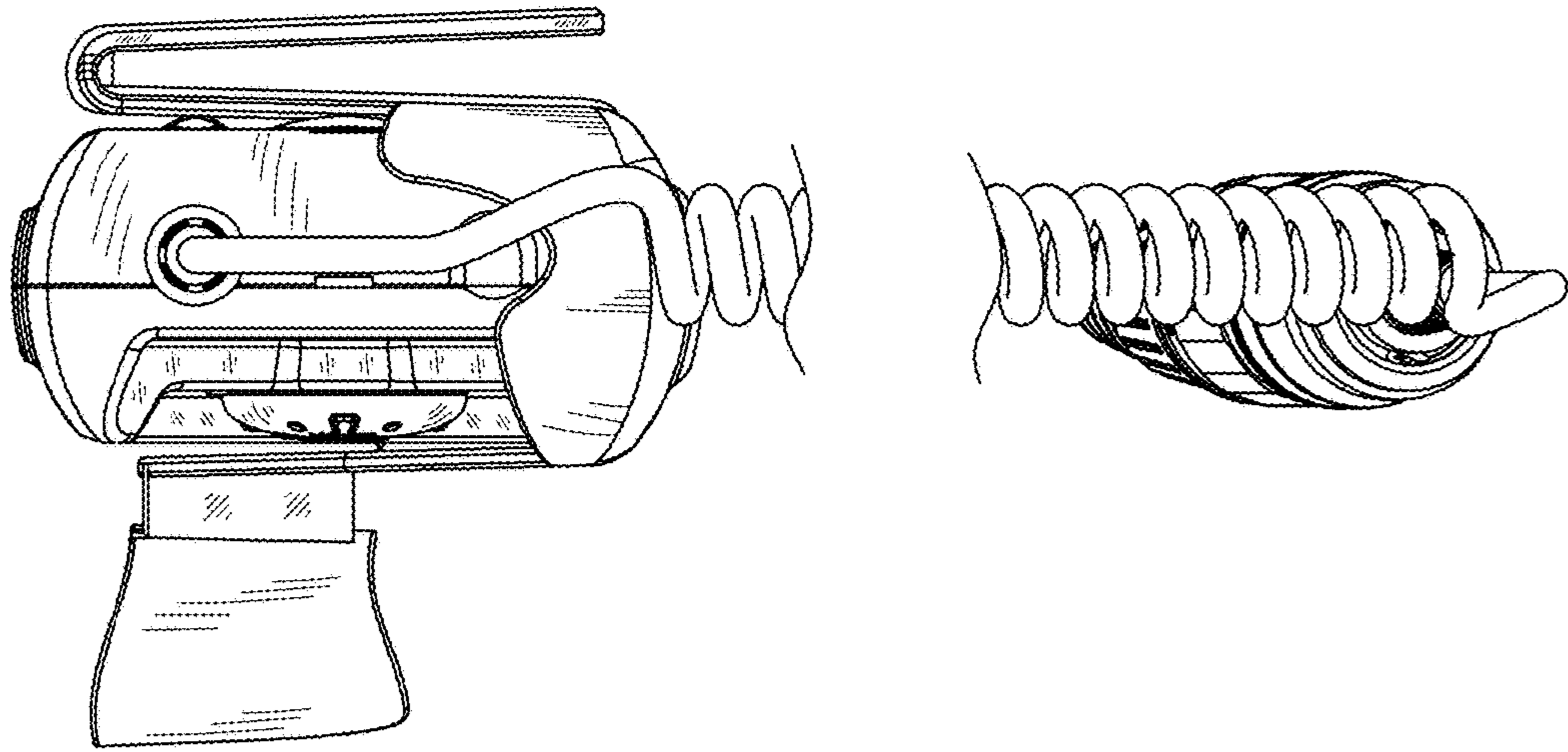


FIG.8