



US00D825105S

(12) **United States Design Patent** (10) **Patent No.:** **US D825,105 S**
zur Wiesche et al. (45) **Date of Patent:** **** Aug. 7, 2018**

(54) **HAIR COLORATION DEVICE**

(71) Applicant: **Henkel AG & Co. KGaA**, Duesseldorf (DE)

(72) Inventors: **Erik Schulze zur Wiesche**, Hamburg (DE); **Louise Hogan**, Hamburg (DE)

(73) Assignee: **Henkel AG & Co. KGaA** (DE)

(**) Term: **15 Years**

(21) Appl. No.: **29/587,294**

(22) Filed: **Dec. 12, 2016**

(30) **Foreign Application Priority Data**

Jun. 16, 2016 (EP) 003226067

(51) **LOC (11) Cl.** **28-03**

(52) **U.S. Cl.**
USPC **D28/20**; D9/760; D28/73

(58) **Field of Classification Search**
USPC D28/76-78, 81-84; 132/294, 303-305, 132/314-318; D3/205, 901; 206/542, 206/581, 823; D9/759-760; D19/103-104, 106-107
CPC A45D 40/00; A45D 40/18; A45D 40/0087; A45D 40/222; A45D 33/00; A45D 33/006; A45D 33/025; A45D 2040/225; A45D 2034/007; A45D 33/008; A45D 33/003; A45D 33/18
See application file for complete search history.

(56) **References Cited**

U.S. PATENT DOCUMENTS

D224,662 S * 8/1972 Swett et al. D7/546
D241,176 S * 8/1976 Kingsford D28/78
D262,833 S * 1/1982 Pedersen D28/83
D272,203 S * 1/1984 Di Bartolo D19/106

D277,037 S * 1/1985 Nadel D28/83
D280,245 S * 8/1985 Buchet D28/78
5,393,539 A * 2/1995 Reskow B65D 77/003
206/557
D367,172 S * 2/1996 Brightbill D3/310
D367,878 S * 3/1996 Lee D18/17
D420,855 S * 2/2000 Hurley D7/549
D422,753 S * 4/2000 Einarson D28/64.3
D437,664 S * 2/2001 Thorpe D11/43
D438,346 S * 2/2001 Thorpe D11/43
D478,689 S * 8/2003 Thorpe D28/83
D484,364 S * 12/2003 Bailey D7/357
D561,944 S * 2/2008 Ashiwa D28/83
D591,175 S * 4/2009 Larson D9/425
D599,611 S * 9/2009 Hoekstra D7/354
D616,250 S * 5/2010 Peyton D7/553.3
D636,219 S * 4/2011 Cornu D7/354
D643,311 S * 8/2011 Meyers D9/756
D713,196 S * 9/2014 Sarnoff D7/354
D727,750 S * 4/2015 Murphy D9/759
D743,812 S * 11/2015 Lamb D9/425
D804,964 S * 12/2017 Bennett D9/758

(Continued)

Primary Examiner — Lakiya G Rogers

Assistant Examiner — Altaira J Swangin

(74) *Attorney, Agent, or Firm* — P. Scott Smith

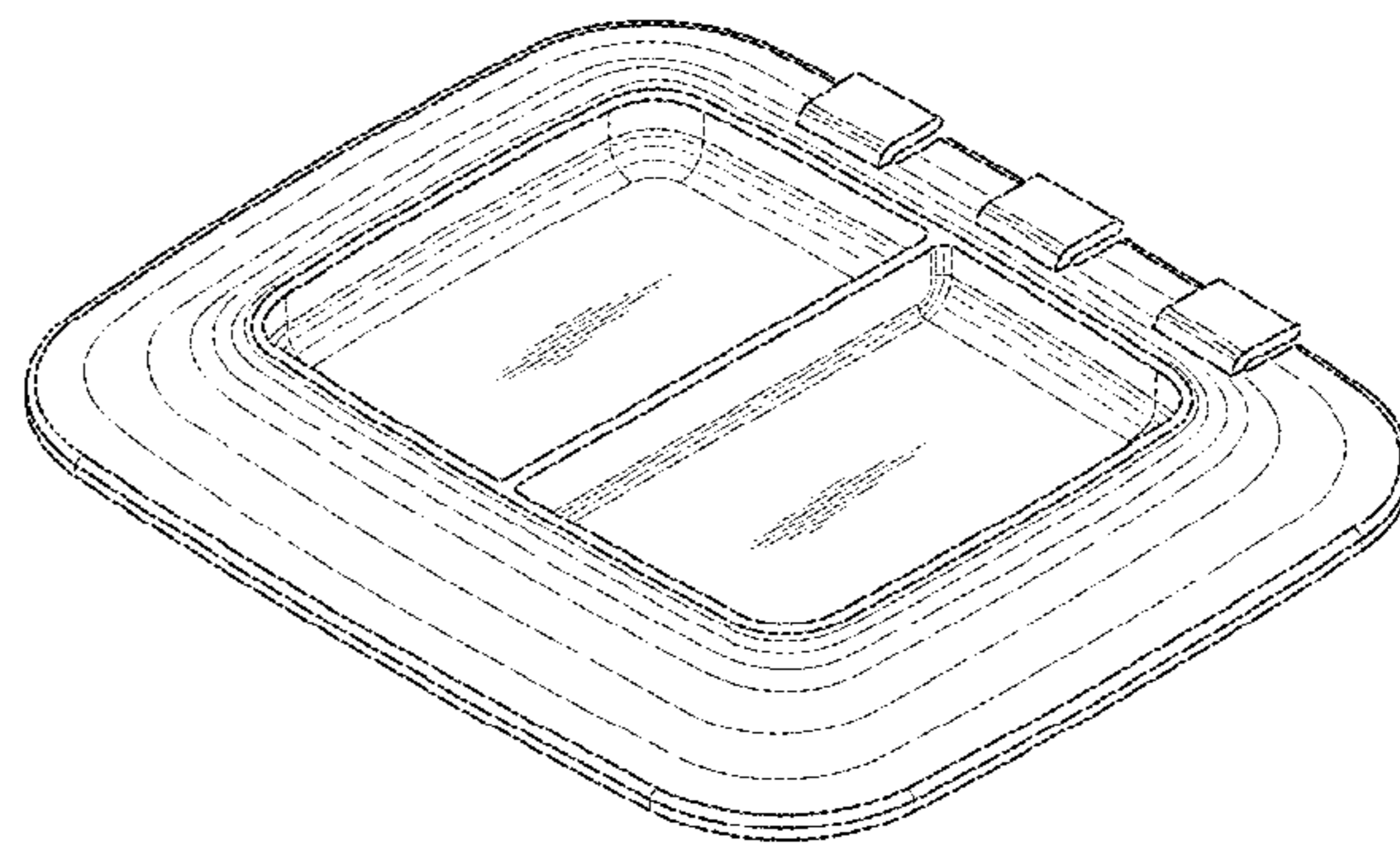
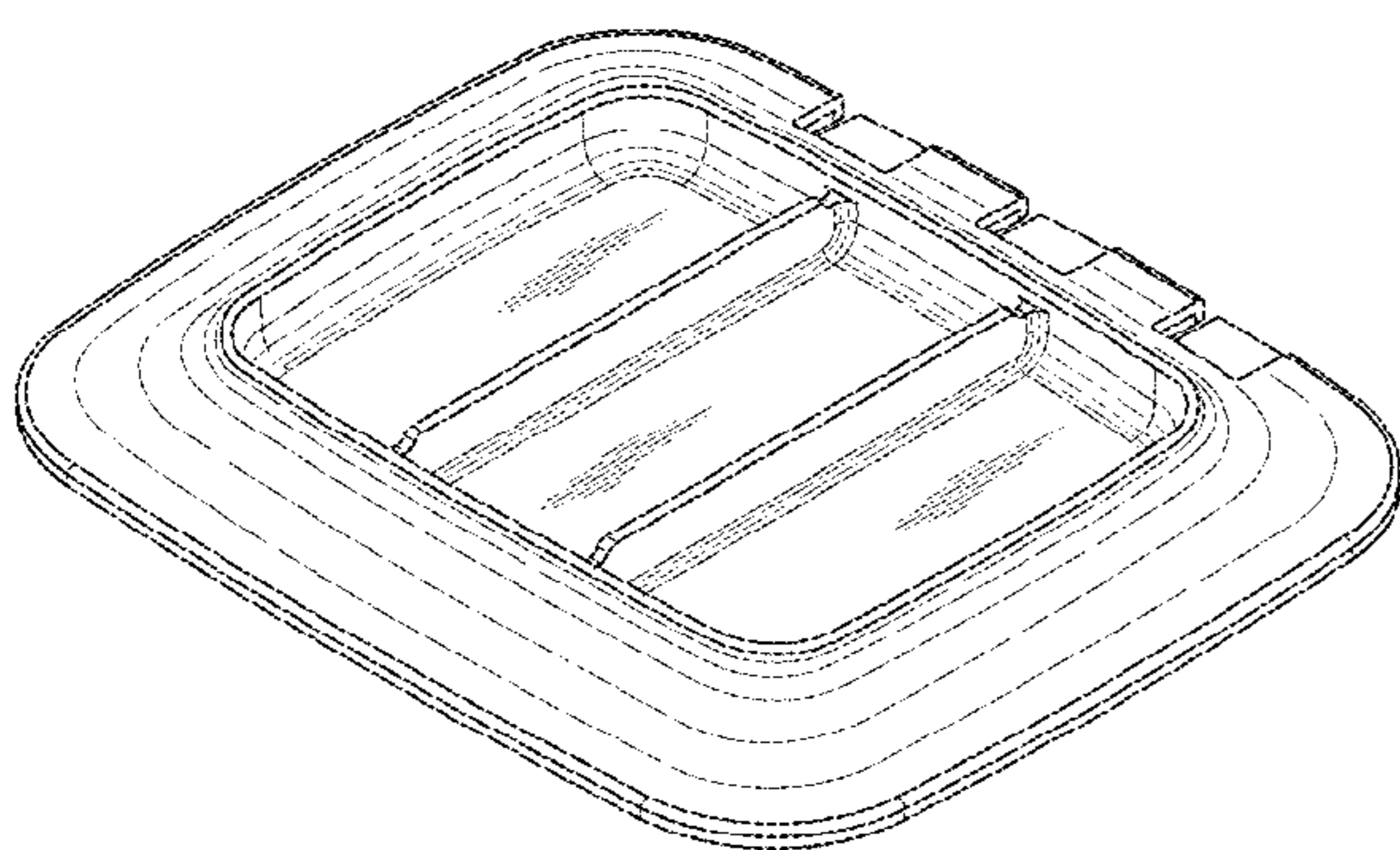
(57) **CLAIM**

The ornamental design for a hair coloration device, as shown herein.

DESCRIPTION

FIG. 1 is a top perspective view of a hair coloration device in accordance with our invention;
FIG. 2 is a bottom perspective view thereof;
FIG. 3 is a top view thereof;
FIG. 4 is a bottom view thereof;
FIG. 5 is a front view thereof;
FIG. 6 is a rear view thereof;
FIG. 7 is a side view thereof; and,
FIG. 8 is an opposing side view thereof.

1 Claim, 5 Drawing Sheets



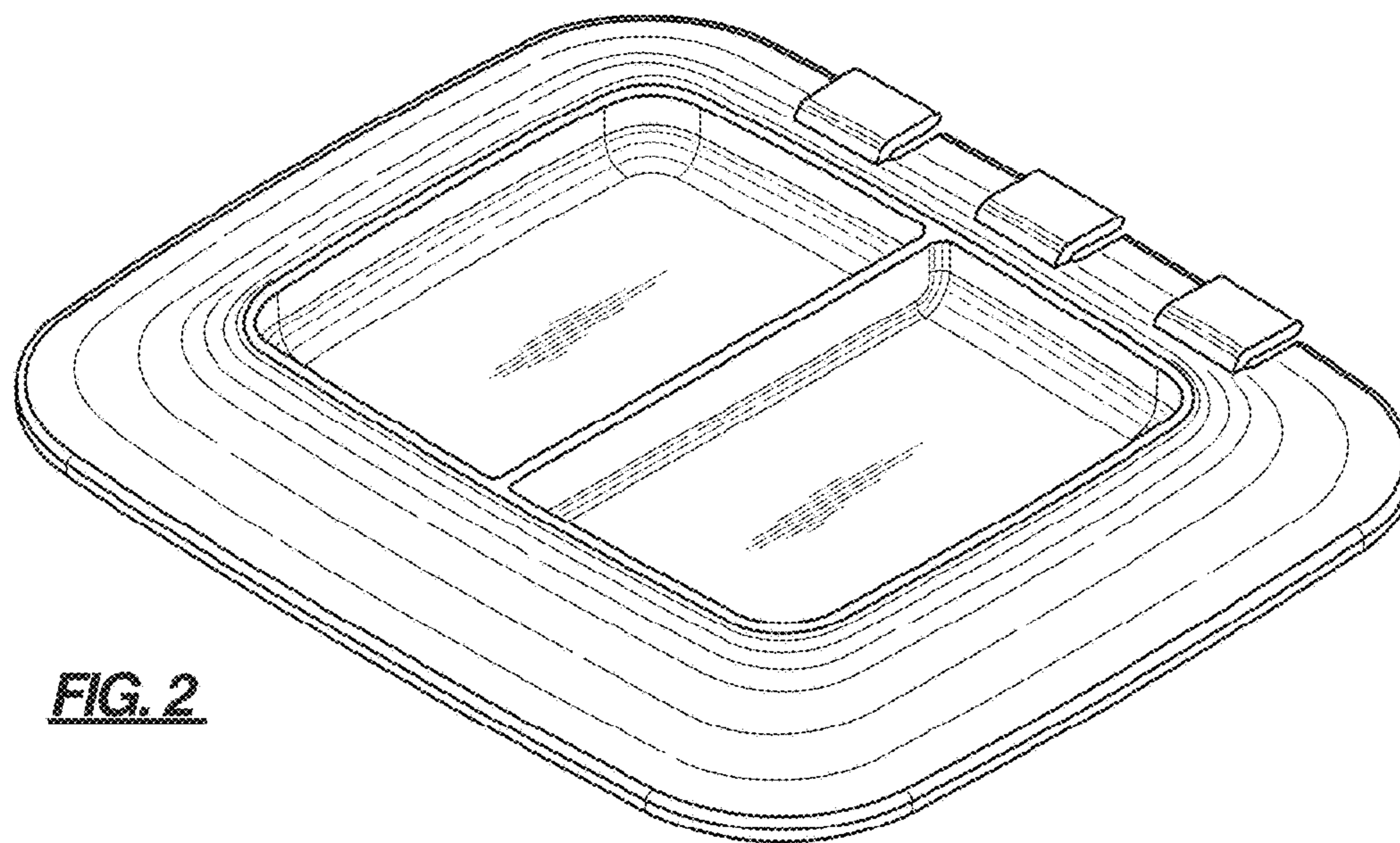
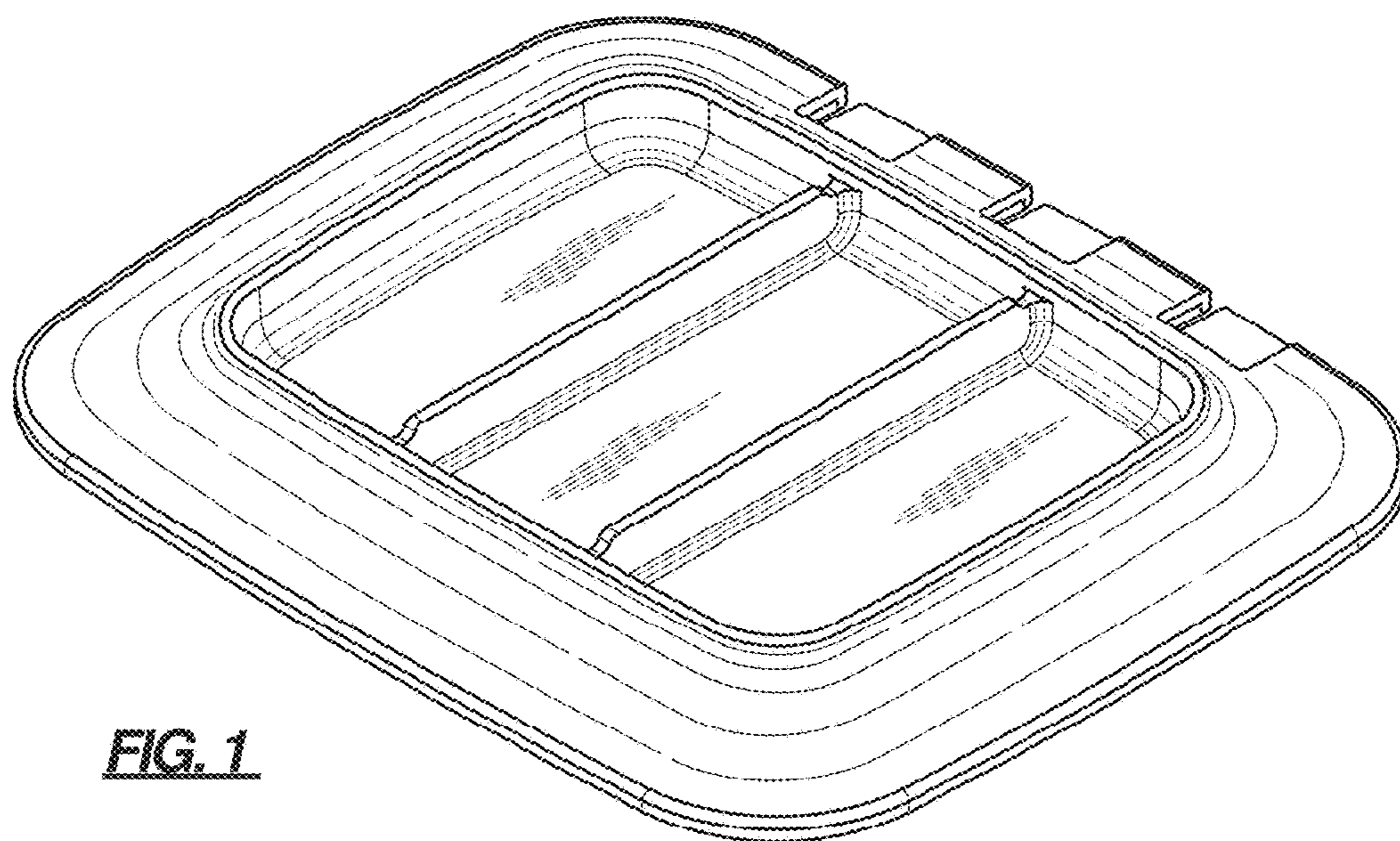
(56)

References Cited

U.S. PATENT DOCUMENTS

D809,154 S * 1/2018 Livingston D24/224
2007/0172563 A1 * 7/2007 Markowicz A23B 5/10
426/399

* cited by examiner



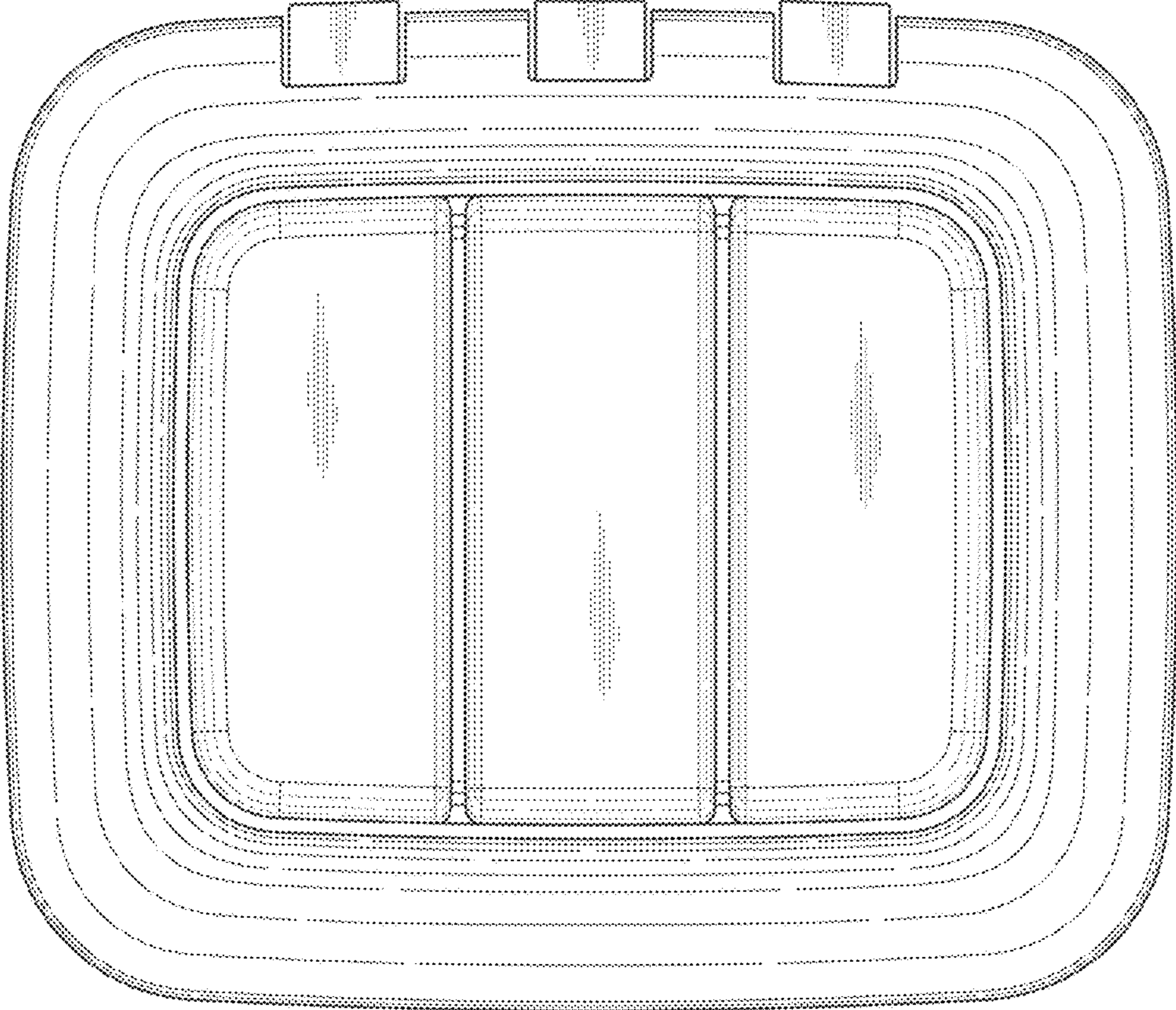


FIG. 3

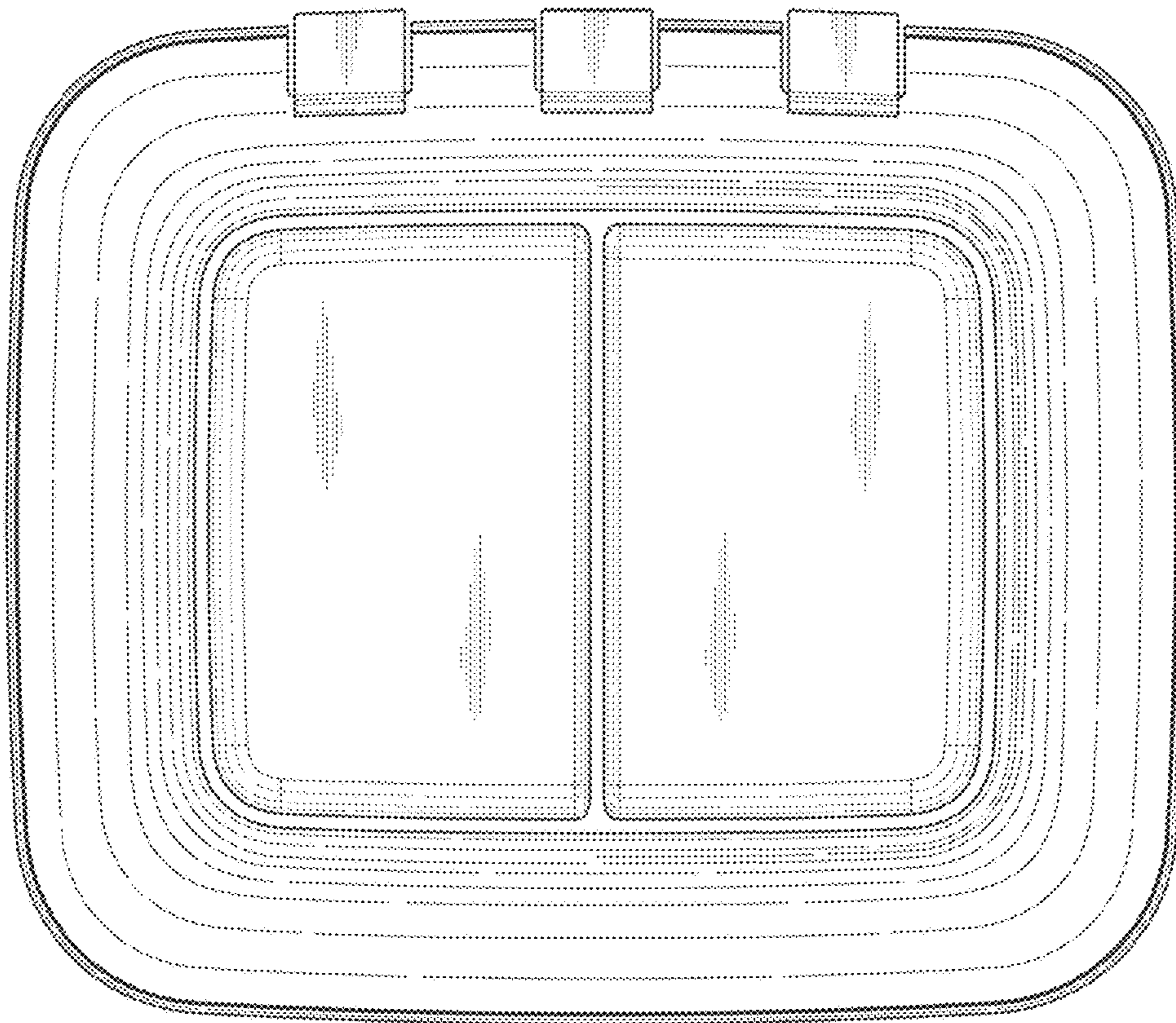


FIG. 4

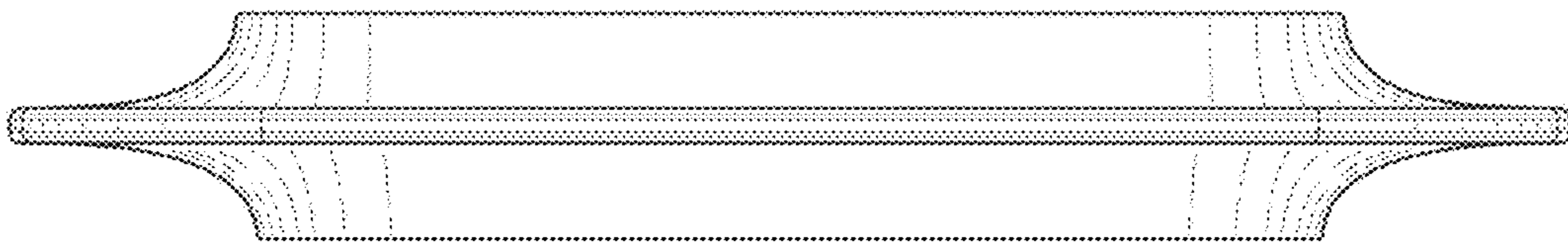


FIG. 5

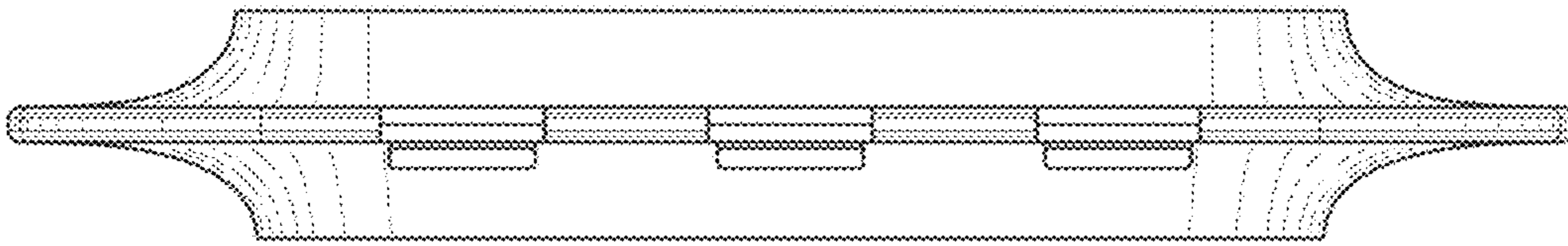


FIG. 6

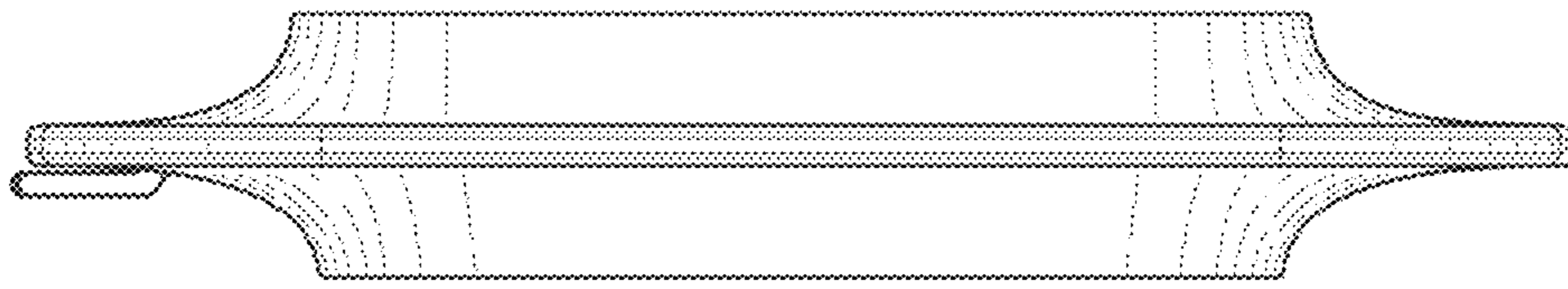


FIG. 7

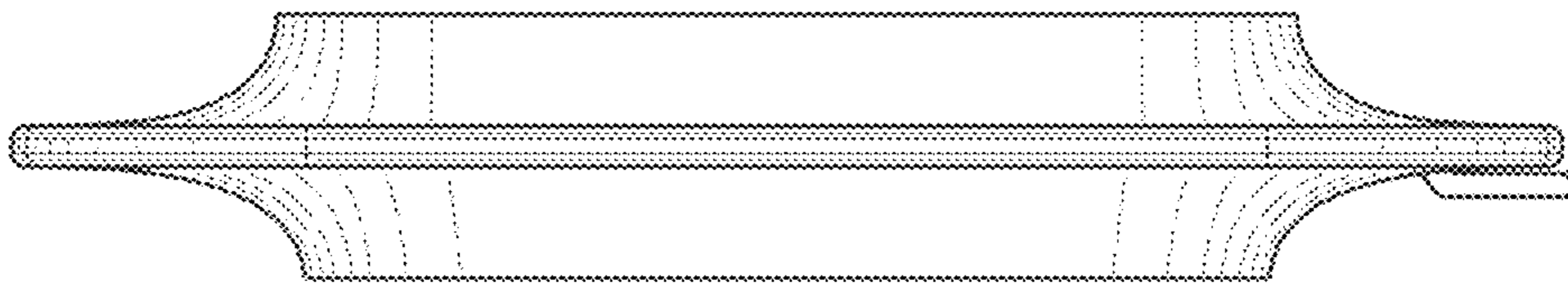


FIG. 8