



US00D825098S

(12) **United States Design Patent** (10) **Patent No.:** **US D825,098 S**
Fornarelli (45) **Date of Patent:** **** Aug. 7, 2018**

(54) **VAPORIZATION DEVICE**

FOREIGN PATENT DOCUMENTS

- (71) Applicant: **Thomas Fornarelli**, Chicago, IL (US)
- (72) Inventor: **Thomas Fornarelli**, Chicago, IL (US)
- (73) Assignee: **DB INNOVATION INC.**, Chicago, IL (US)
- (**) Term: **15 Years**

EM	002679795-0001 S	4/2016
JP	D1247460 S	8/2005
WO	2016005602 A1	1/2016

Primary Examiner — Manpreet S Matharu
Assistant Examiner — Jennifer M Campbell
 (74) *Attorney, Agent, or Firm* — Zareefa B. Flener; Flener IP & Business Law

- (21) Appl. No.: **29/569,895**
- (22) Filed: **Jul. 1, 2016**
- (51) **LOC (11) Cl.** **27-01**
- (52) **U.S. Cl.**
USPC **D27/101**
- (58) **Field of Classification Search**
USPC D27/100, 101, 162–171, 194, 141, 142, D27/159, 154; D23/367; D9/573; D24/108, 110, 110.5
CPC A24F 1/00; A24F 1/02; A24F 1/04; A24F 1/06; A24F 1/08; A24F 1/10; A24F 1/12; A24F 1/14; A24F 1/26; A24F 1/28; A24F 7/00; A24F 7/02; A24F 7/04
See application file for complete search history.

(57) **CLAIM**

The ornamental design for a vaporization device, as shown and described.

DESCRIPTION

FIG. 1 is a perspective view showing the bottom end of a first embodiment of a vaporization device showing my new design;
 FIG. 2 is a perspective view showing the top end of the first embodiment;
 FIG. 3 is a bottom elevational view thereof;
 FIG. 4 is a top elevational view thereof;
 FIG. 5 is a top plan view thereof;
 FIG. 6 is a bottom plan view thereof;
 FIG. 7 is a left side elevational view thereof;
 FIG. 8 is a right side elevational view thereof;
 FIG. 9 is a perspective view showing the bottom end of a second embodiment of my new design;
 FIG. 10 is a perspective view showing the top end of the second embodiment;
 FIG. 11 is a bottom elevational view thereof;
 FIG. 12 is a bottom elevational view thereof;
 FIG. 13 is a top plan view thereof;
 FIG. 14 is a bottom plan view thereof;
 FIG. 15 is a left side elevational view thereof; and,
 FIG. 16 is a right side elevational thereof.
 The broken lines depict parts of the vaporization device that forms no part of the claimed design.

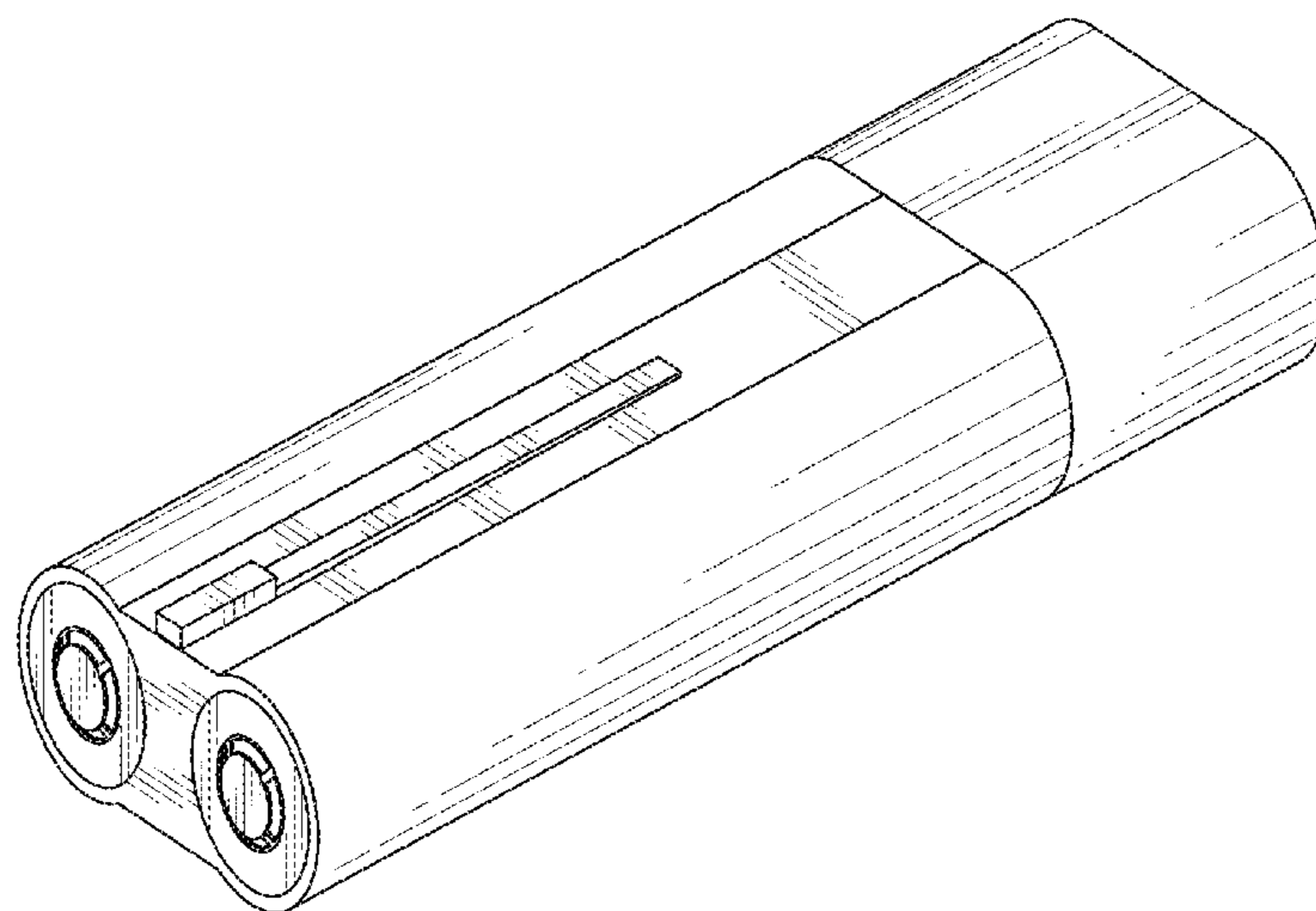
(56) **References Cited**

U.S. PATENT DOCUMENTS

D77,275 S *	12/1928	Wallenthin	D27/160
D157,038 S *	1/1950	Florman	D27/142
D166,002 S *	2/1952	Serra	D9/573
D185,388 S *	6/1959	Peters	206/229
D248,877 S *	8/1978	Harris	D27/159
D262,238 S *	12/1981	Stuetzer	D27/154
D262,493 S *	12/1981	Stutzer	D27/154
D284,113 S *	6/1986	Wassmann	D27/159
D425,656 S *	5/2000	Aronson, II	D27/141
6,234,167 B1	5/2001	Cox et al.		
6,345,739 B1	2/2002	Mekata		
D563,040 S *	2/2008	Luo	D27/161
D624,694 S *	9/2010	Zande	D27/141

(Continued)

1 Claim, 10 Drawing Sheets



(56)

References Cited

U.S. PATENT DOCUMENTS

D625,466	S *	10/2010	Martin	D27/159
D661,835	S *	6/2012	McDonough	D27/141
D681,267	S *	4/2013	Touzjian	D27/162
D716,997	S *	11/2014	Freelander	D23/367
D723,738	S	3/2015	Liu	
D725,310	S	3/2015	Eksouzian	
D736,995	S *	8/2015	Recio	D27/141
D737,508	S	8/2015	Liu	
9,271,528	B2	3/2016	Liu	
9,301,547	B2	4/2016	Liu	
D760,428	S *	6/2016	Rahbar	D27/141
2002/0088469	A1 *	7/2002	Rennecamp	A24F 1/00 131/330
2007/0068523	A1	3/2007	Fishman	
2014/0190503	A1	7/2014	Li et al.	
2014/0261488	A1	9/2014	Tucker	
2015/0020826	A1	1/2015	Liu	
2015/0164145	A1	6/2015	Zhou	
2016/0106936	A1	4/2016	Kimmel	

* cited by examiner

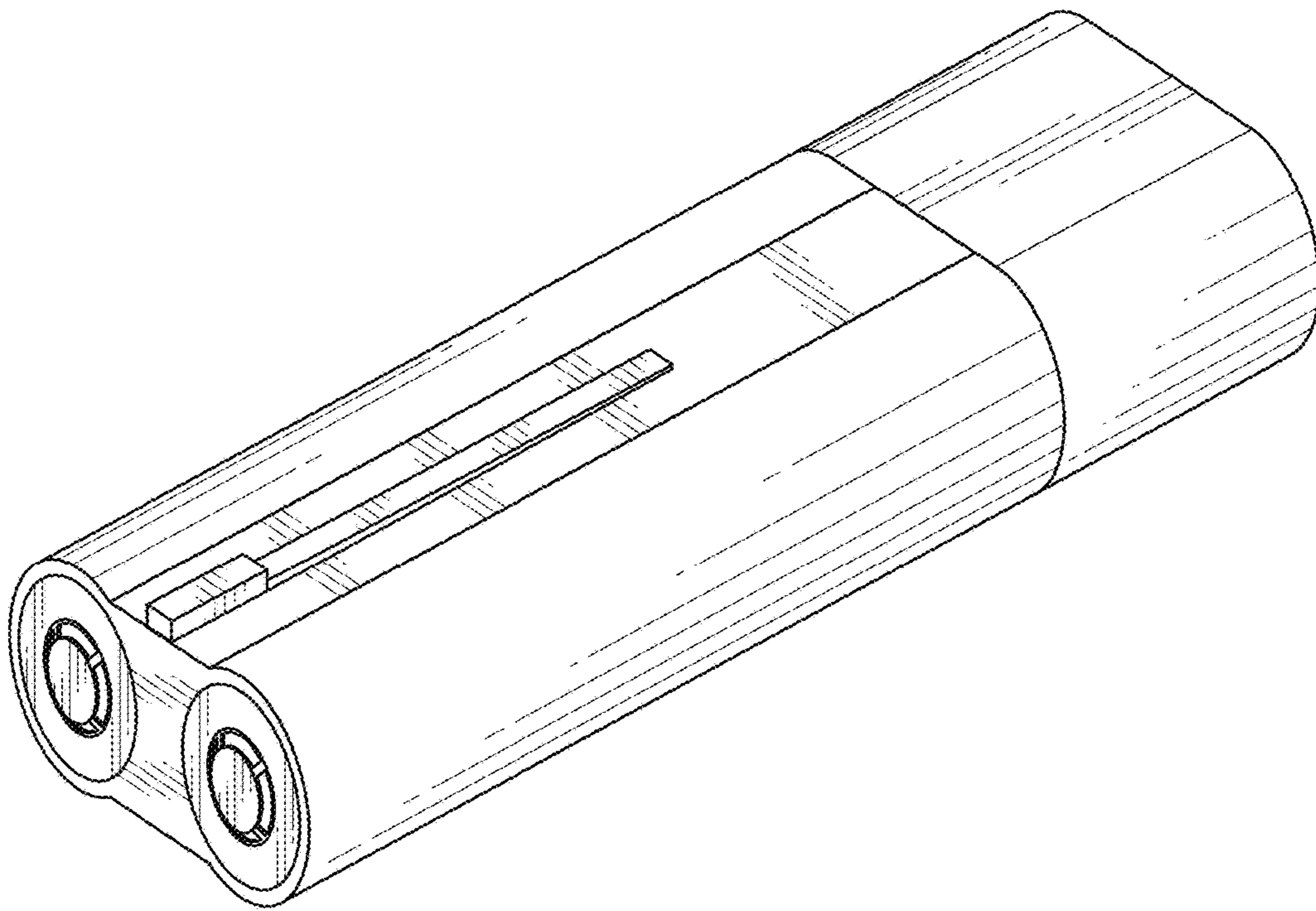


FIG. 1

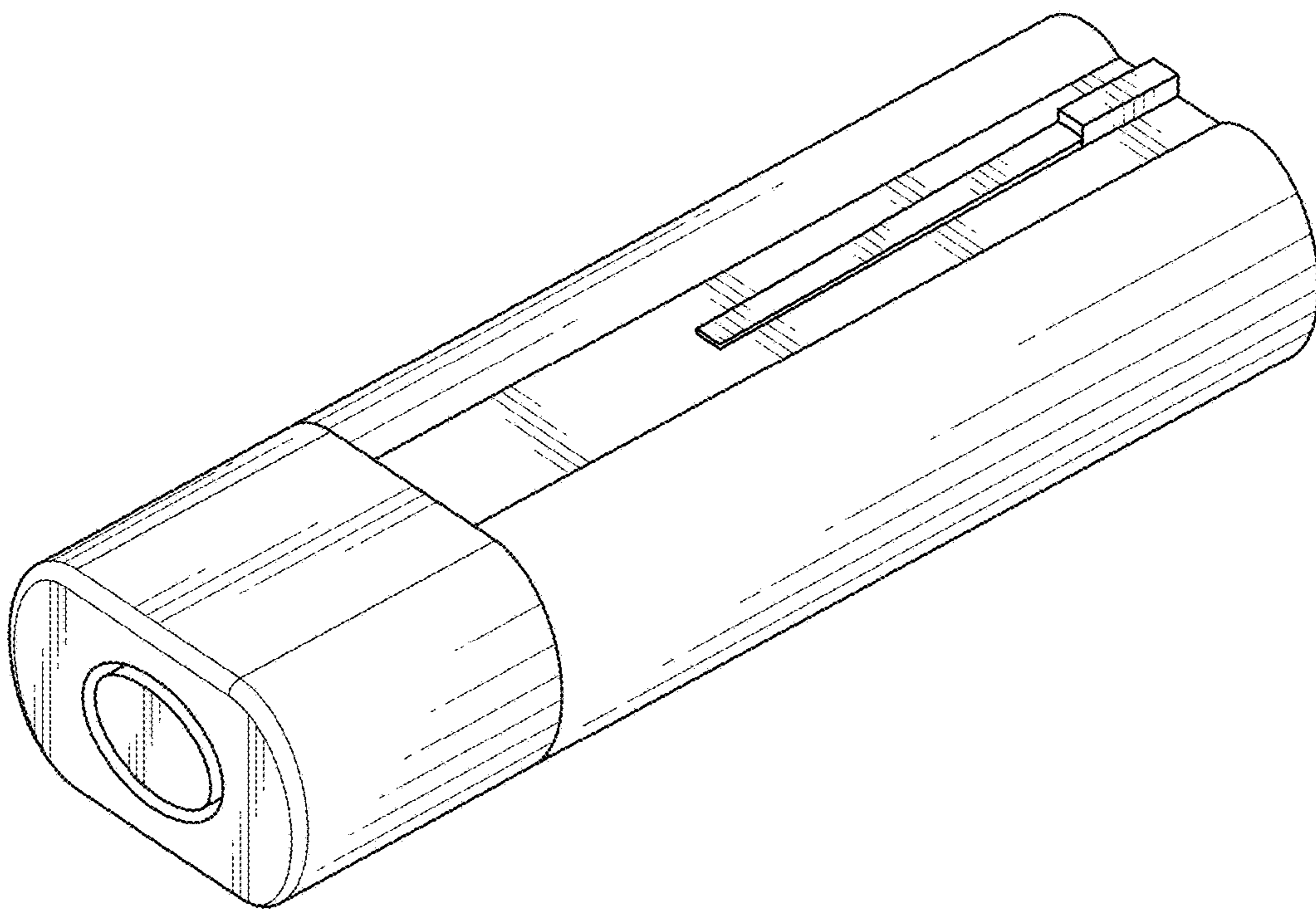


FIG. 2

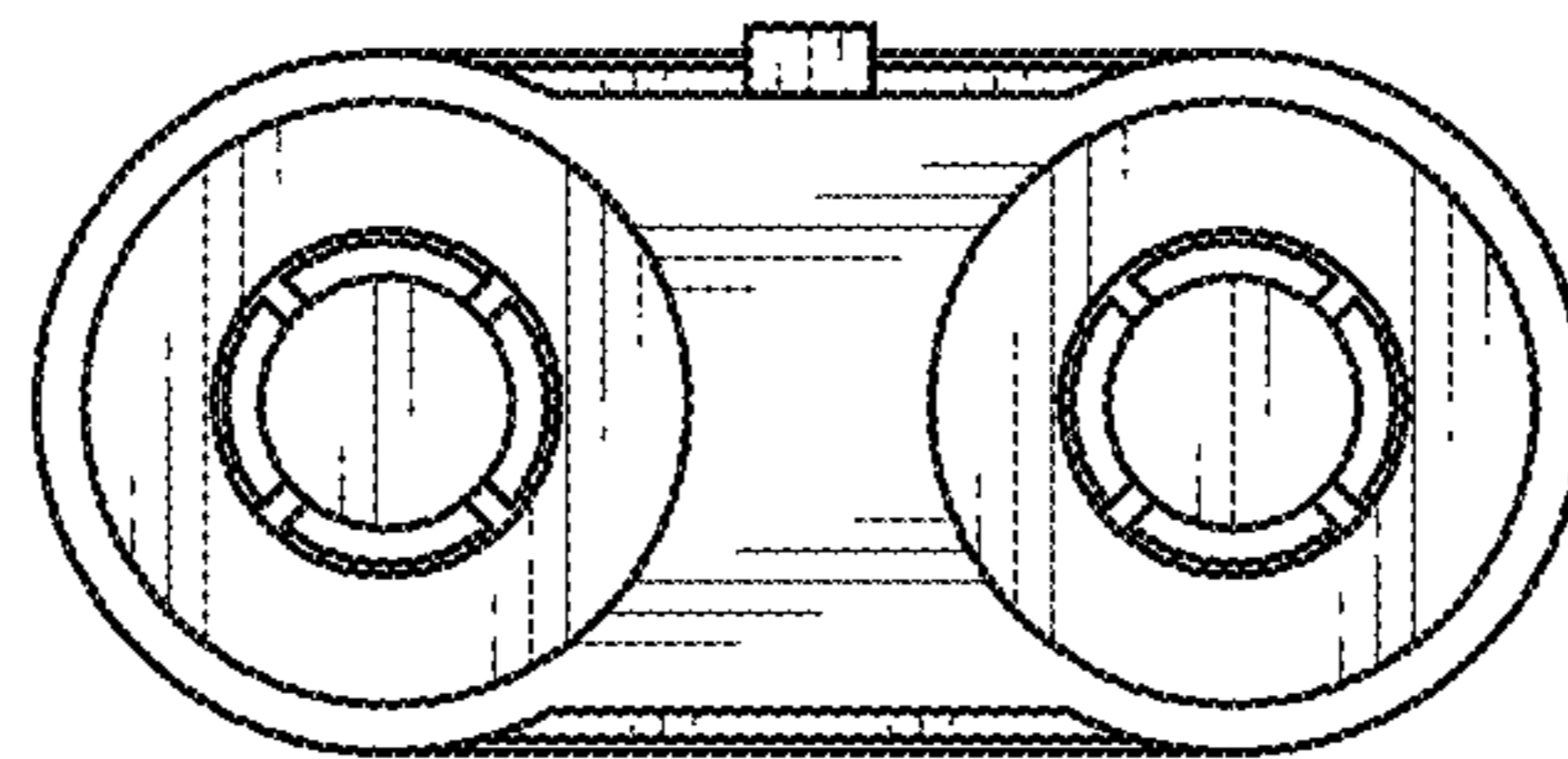


FIG. 3

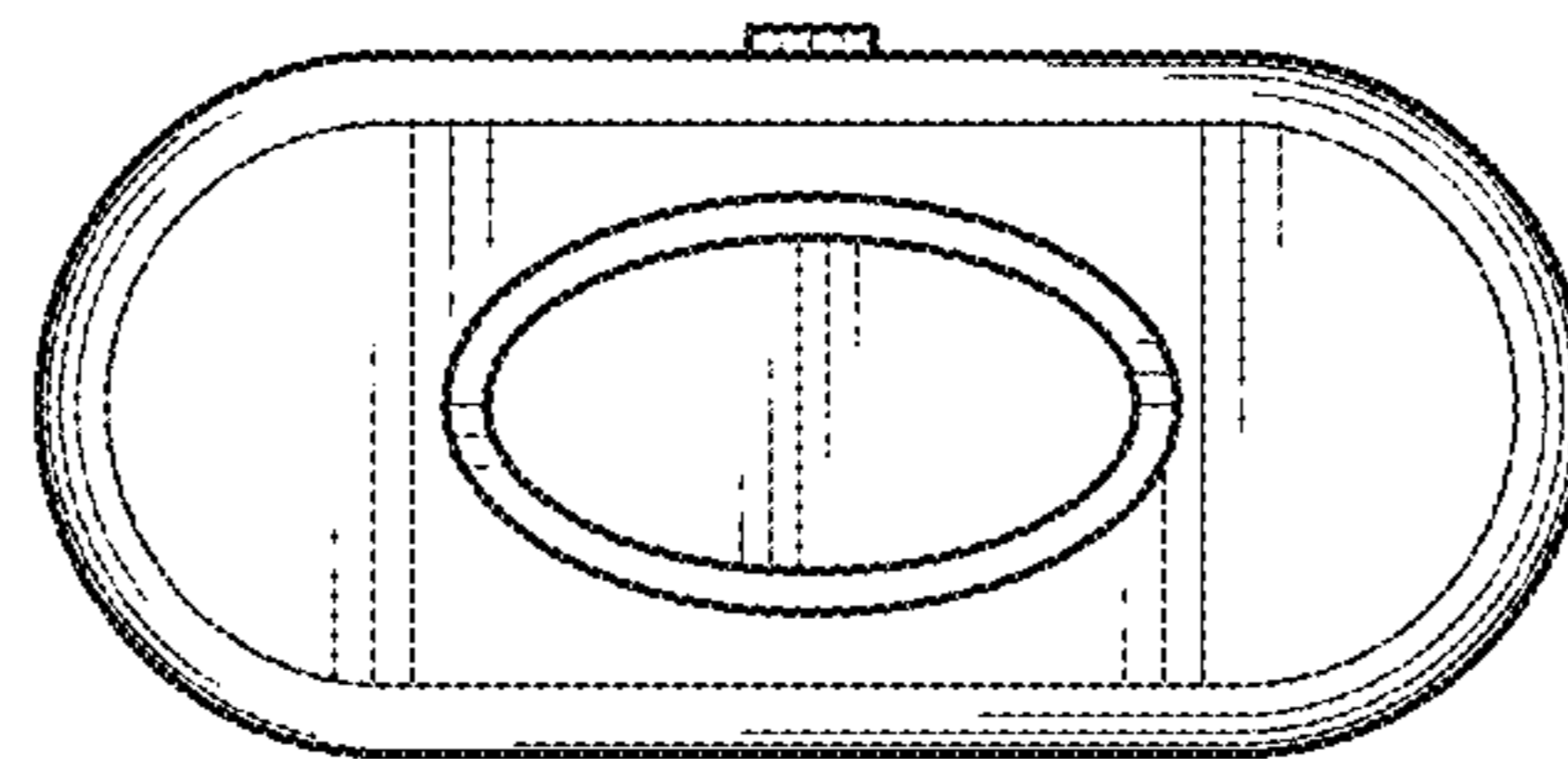


FIG. 4

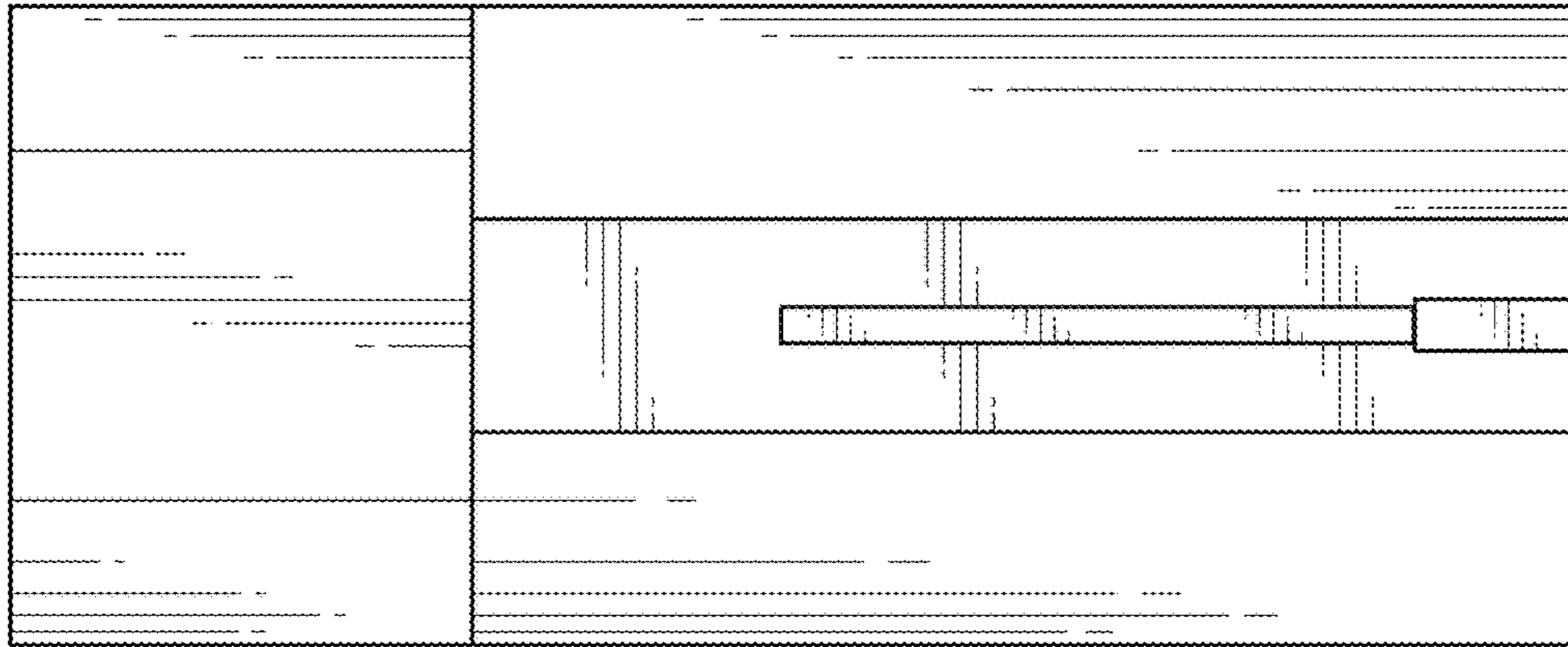


FIG. 5

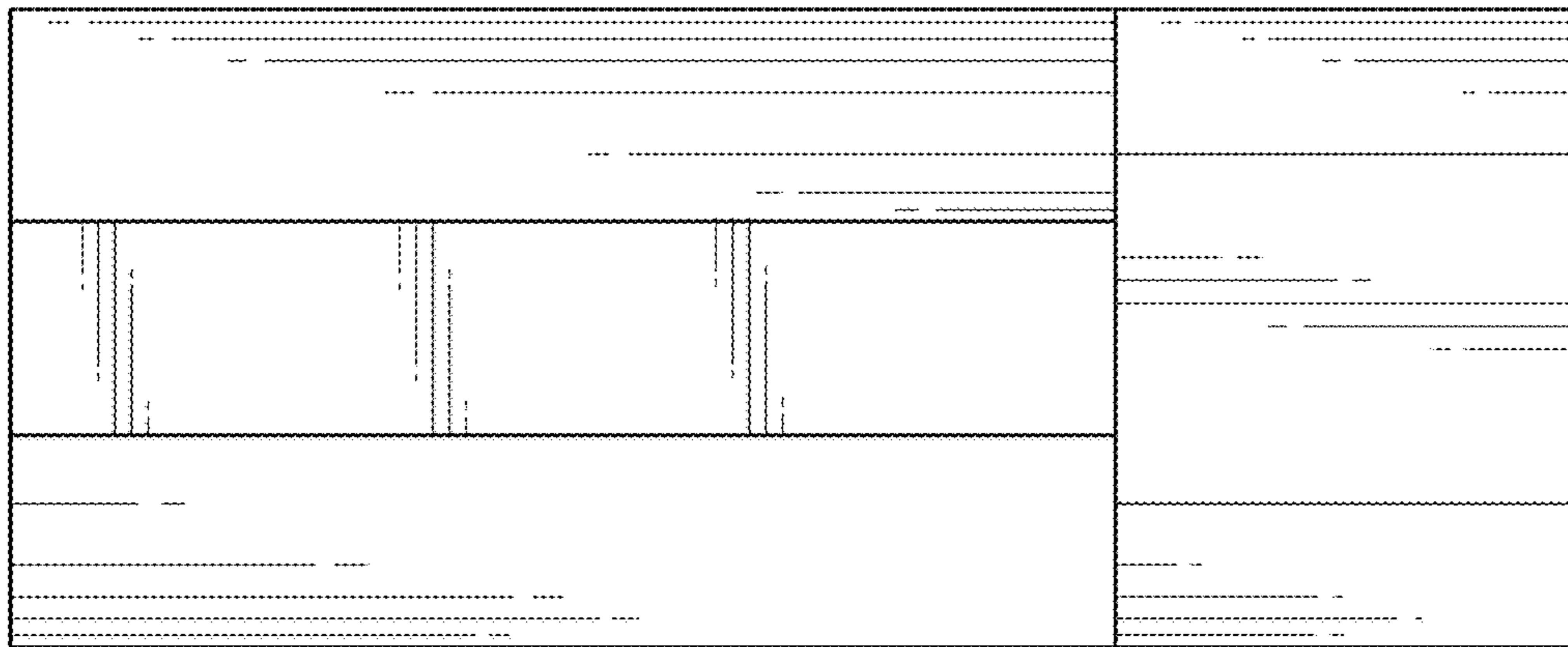


FIG. 6

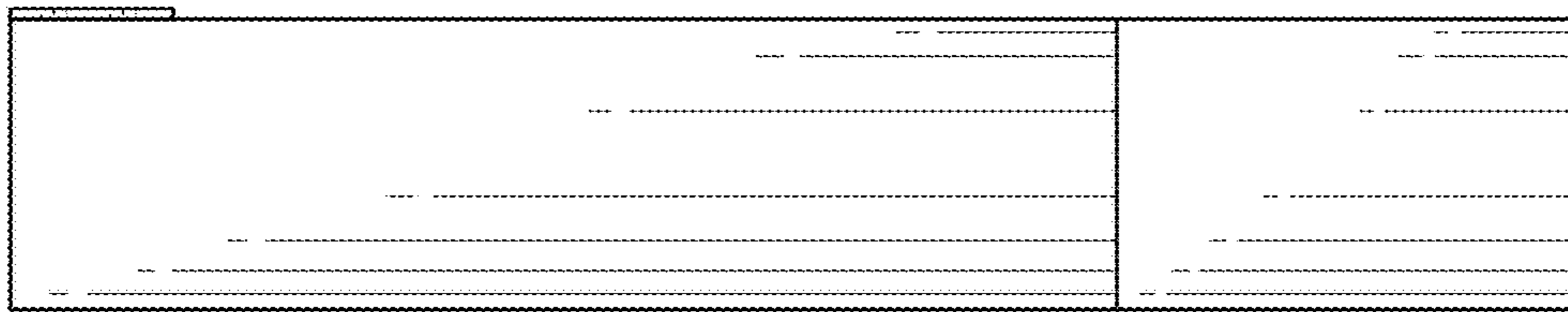


FIG. 7

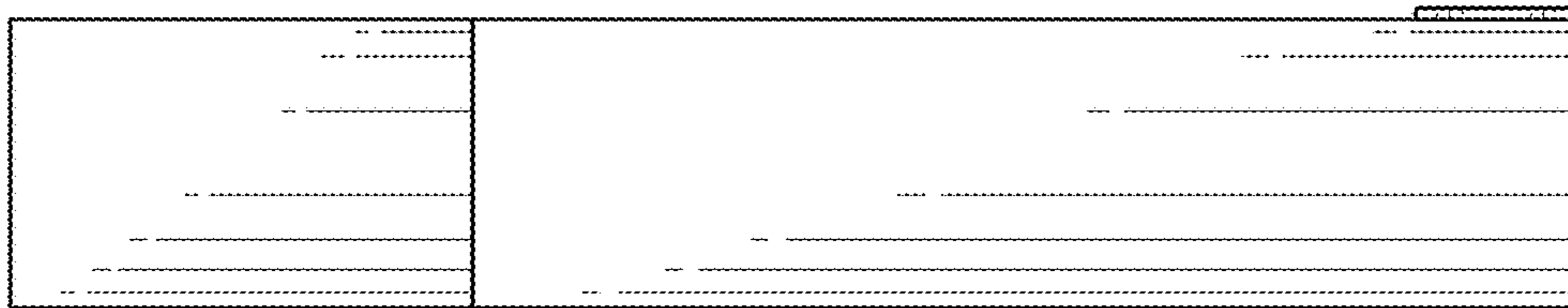


FIG. 8

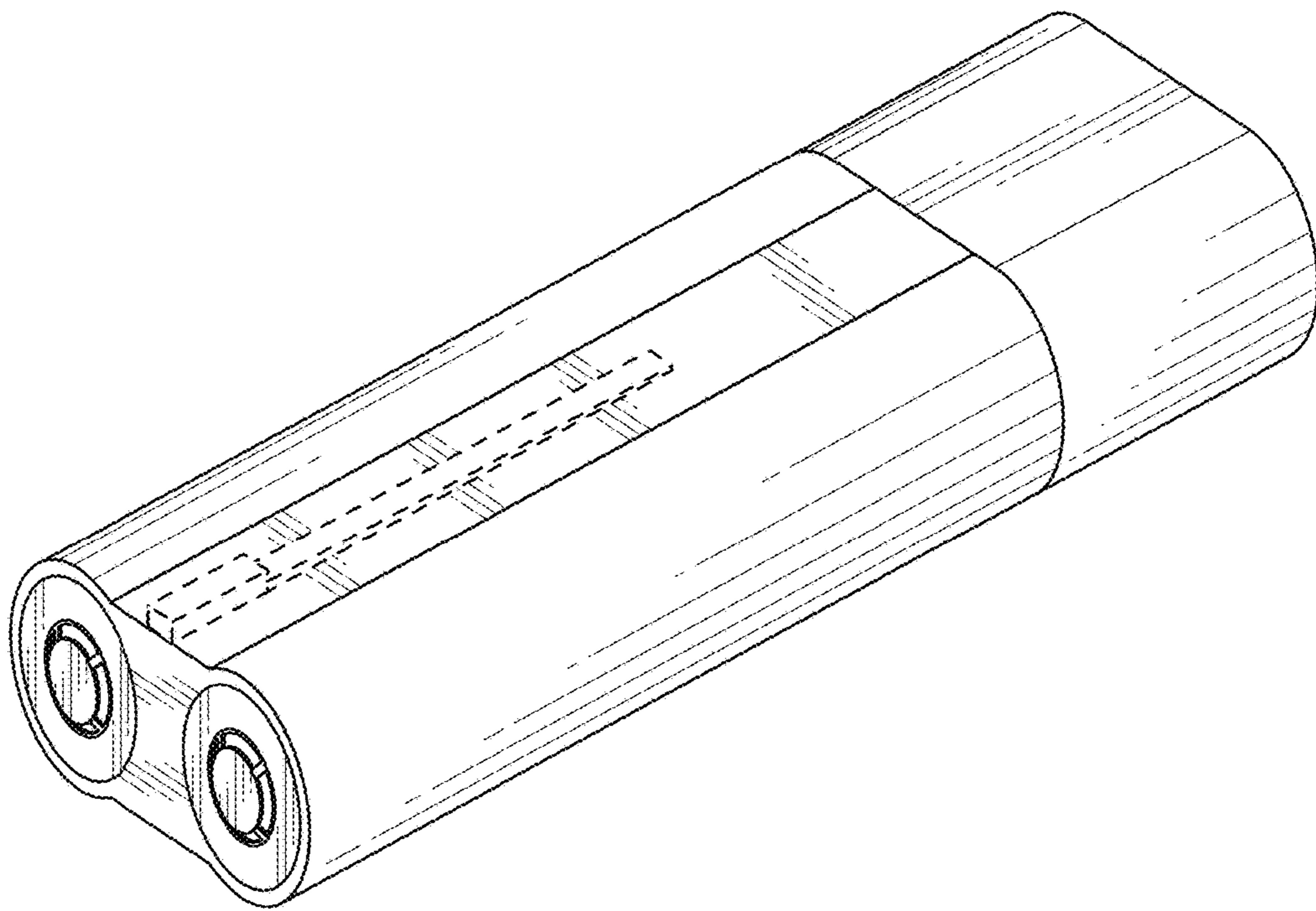


FIG. 9

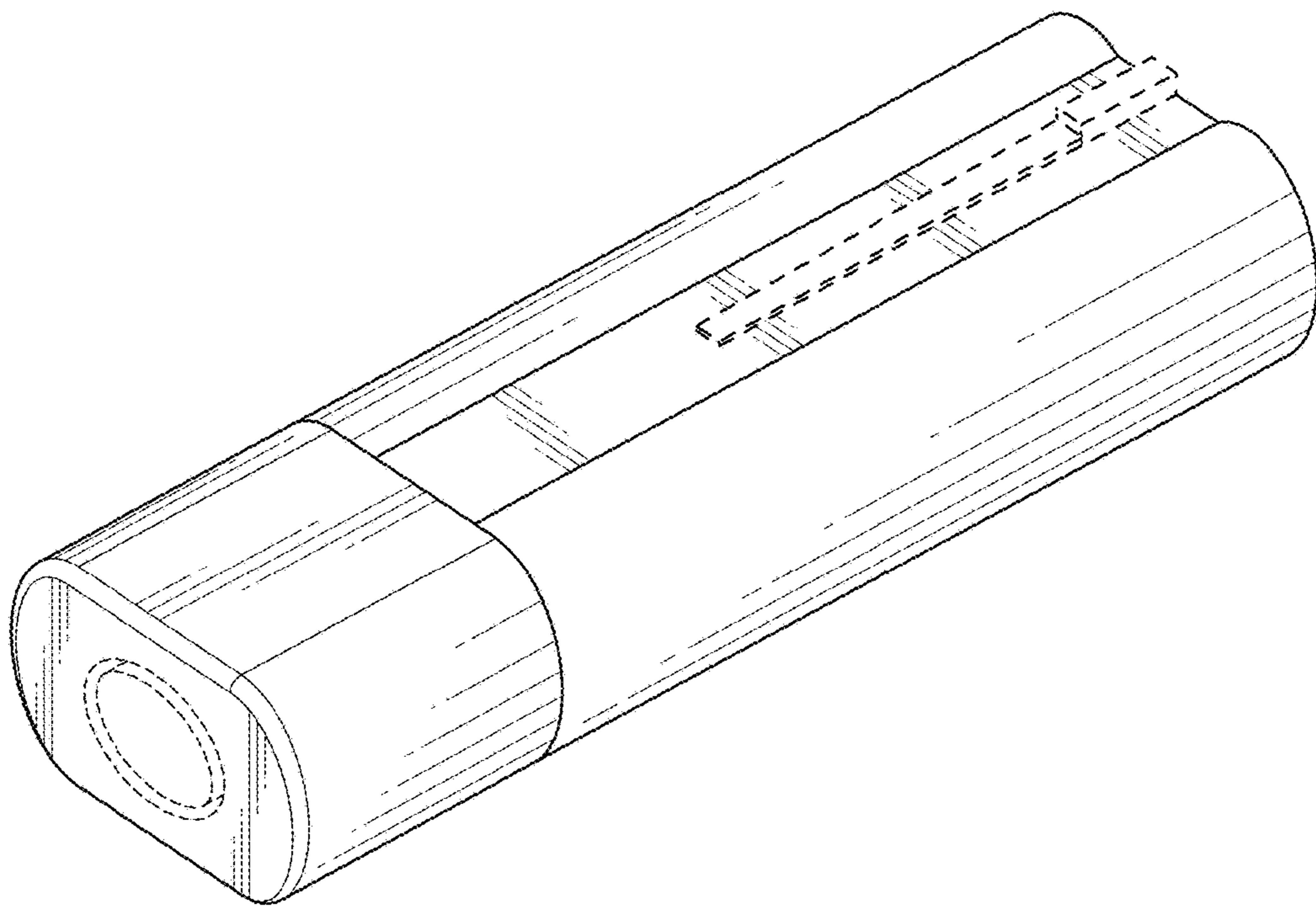


FIG. 10

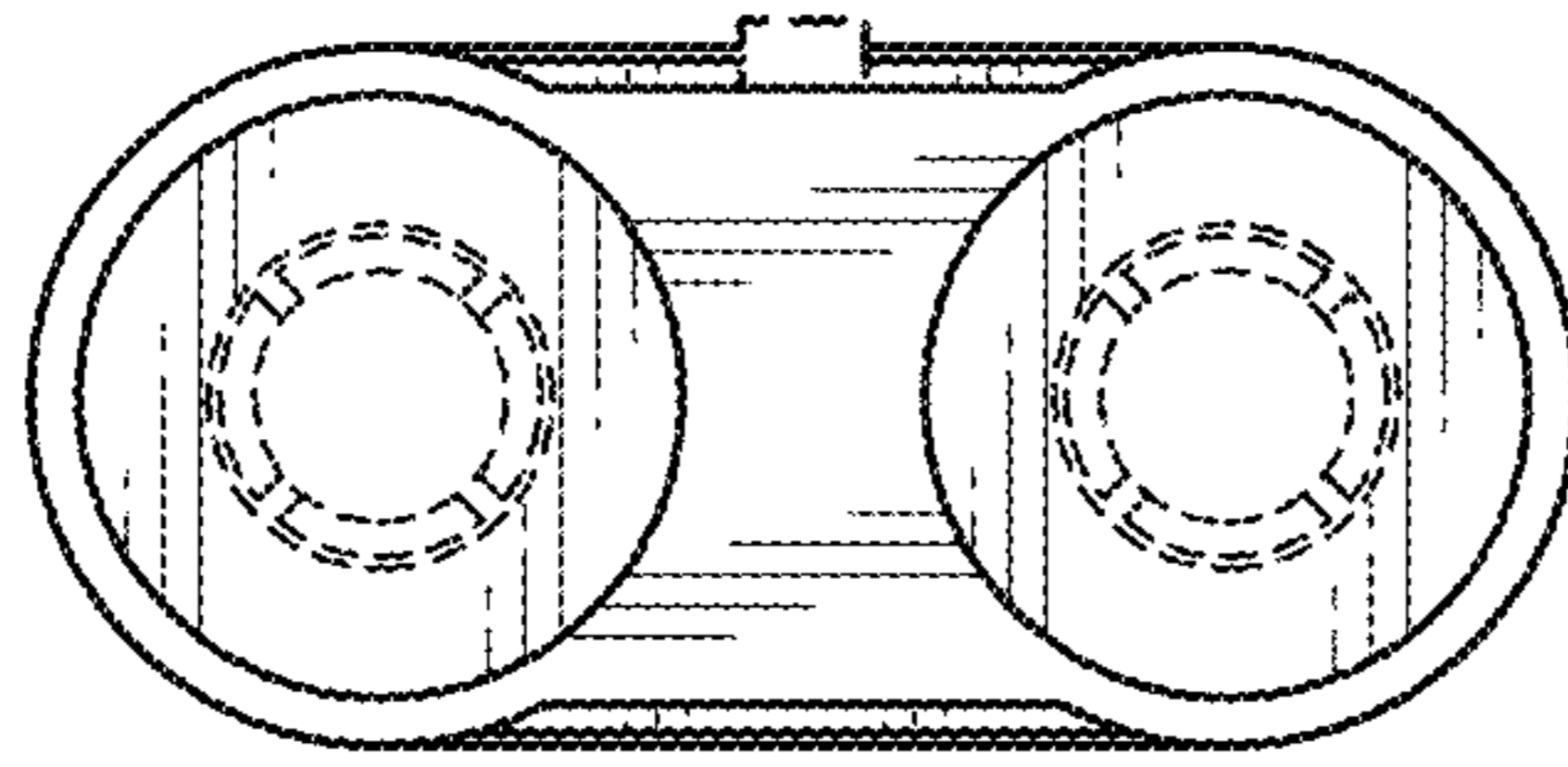


FIG. 11

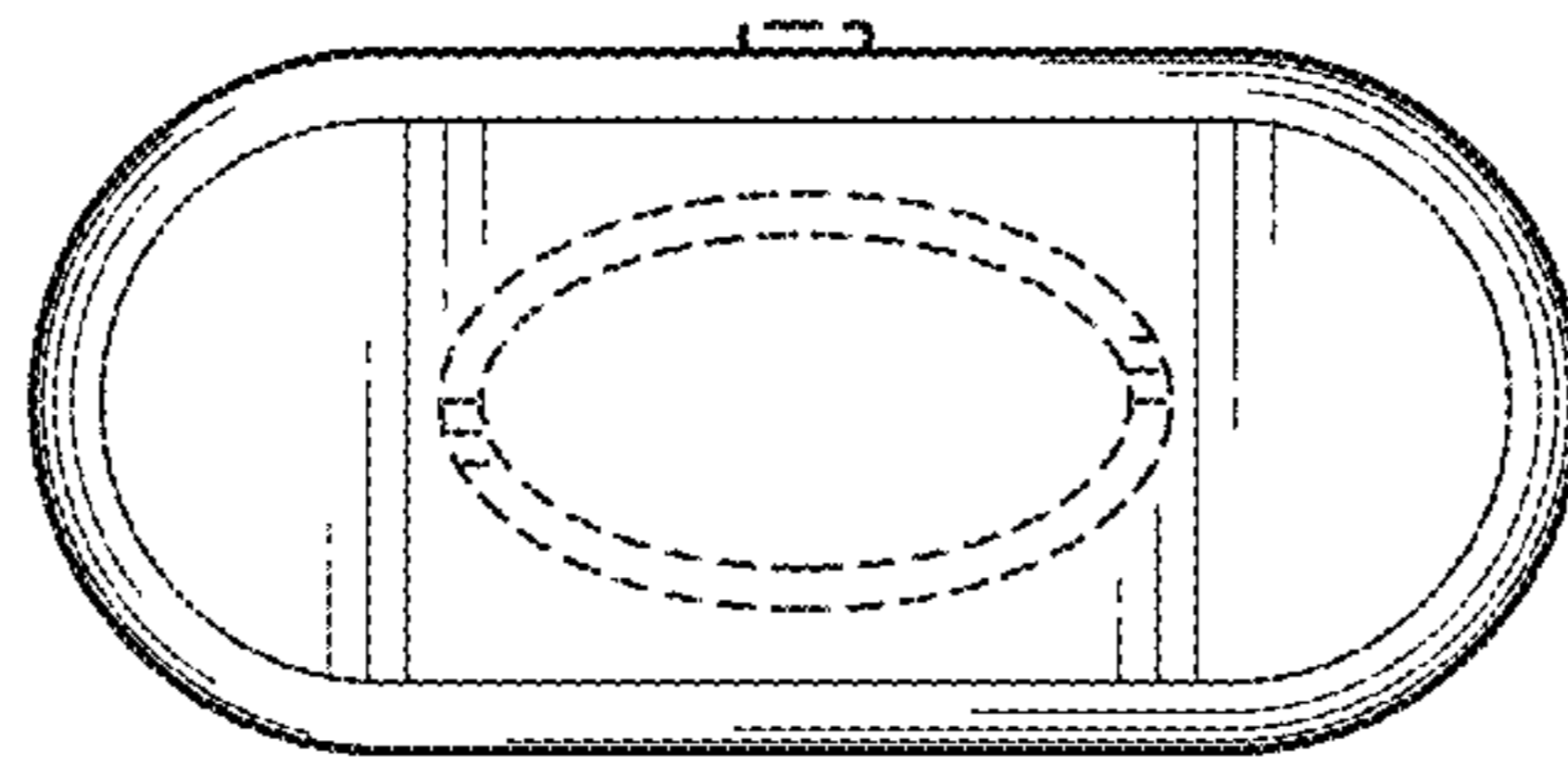


FIG. 12

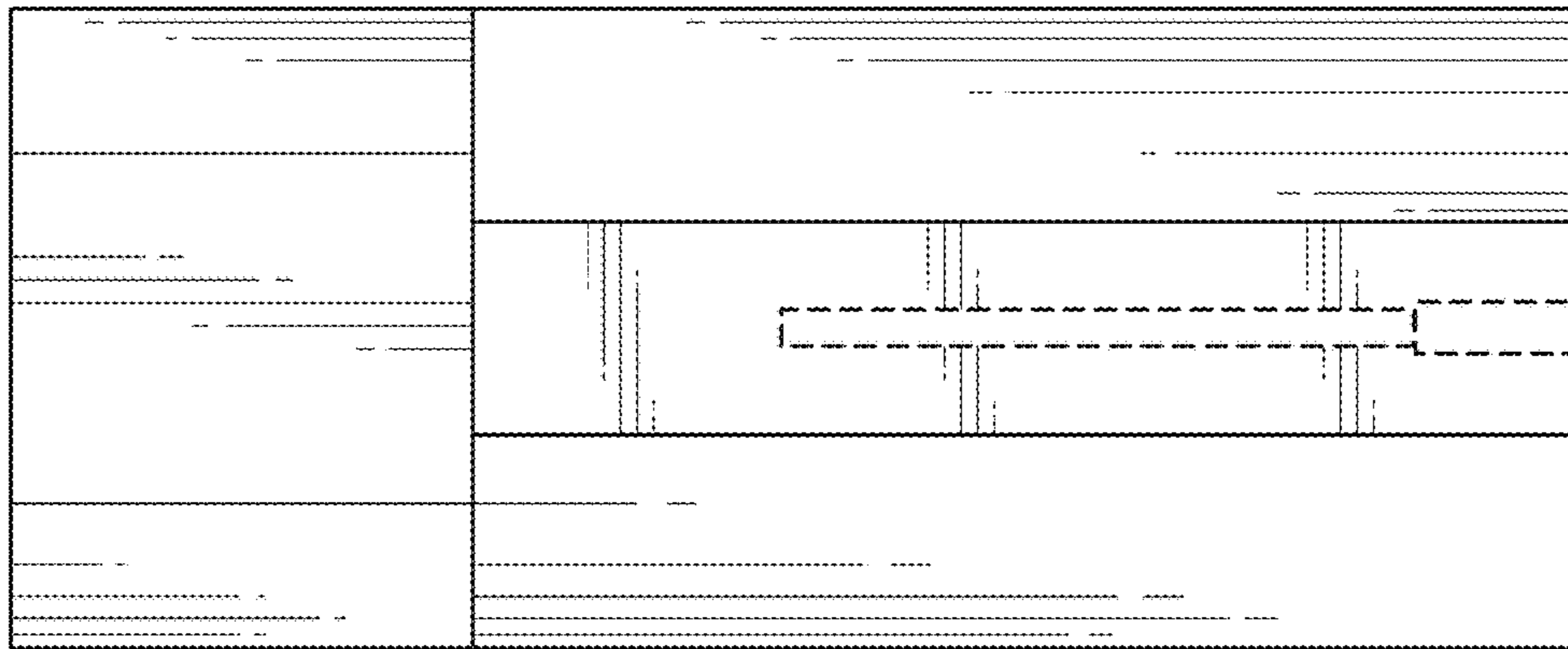


FIG. 13

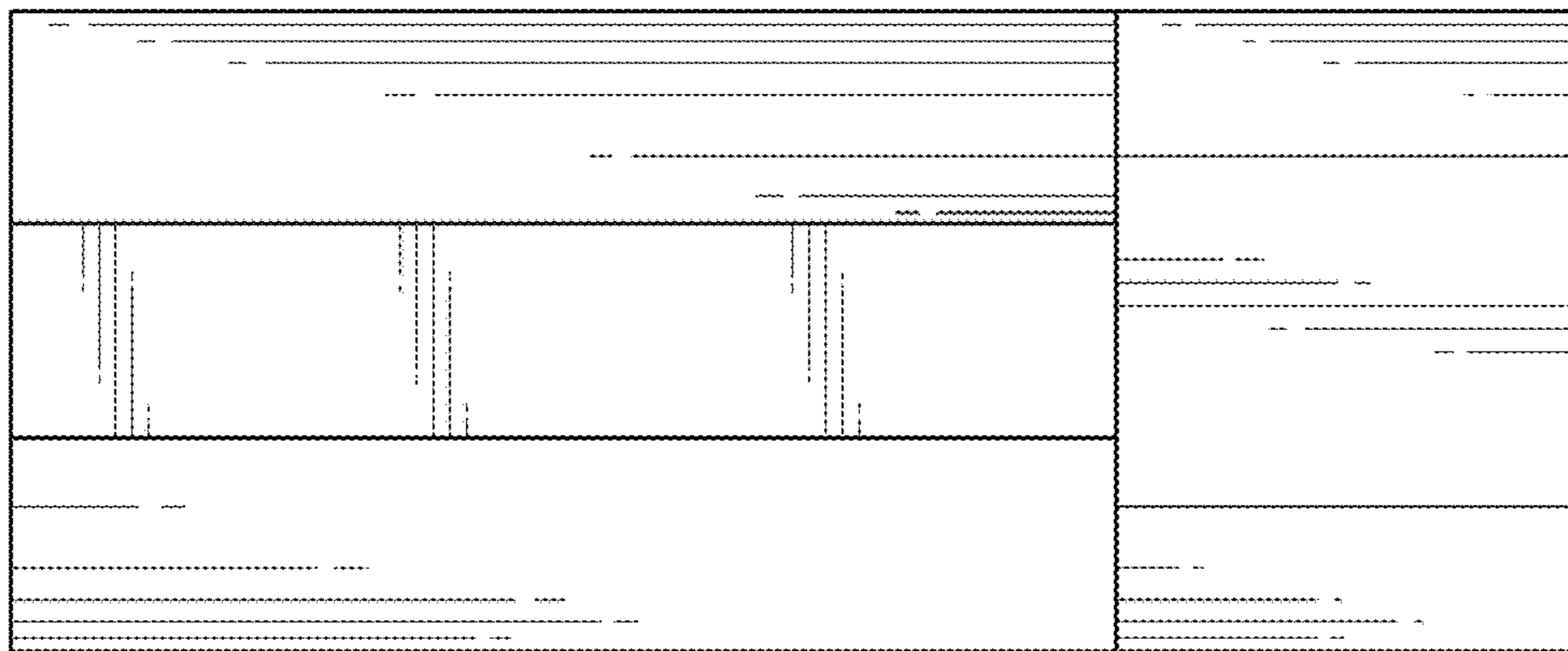


FIG. 14

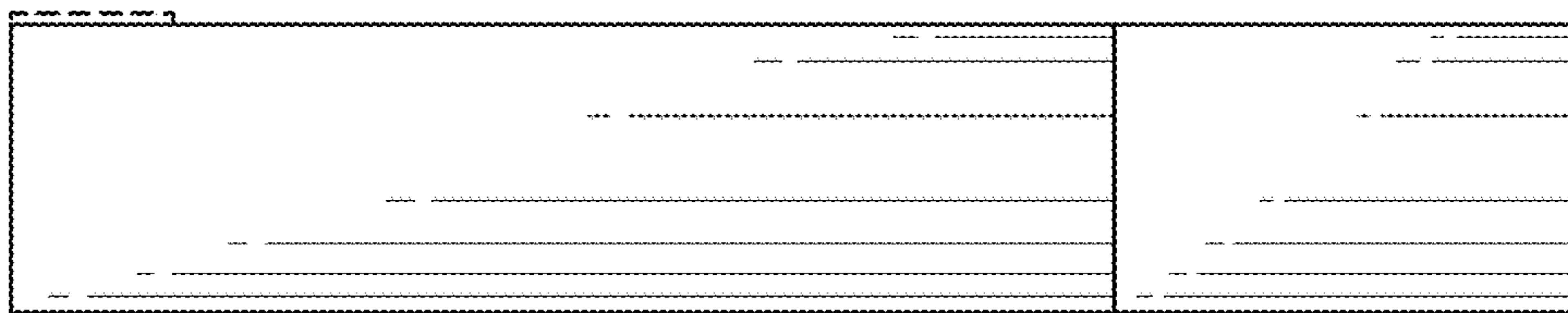


FIG. 15

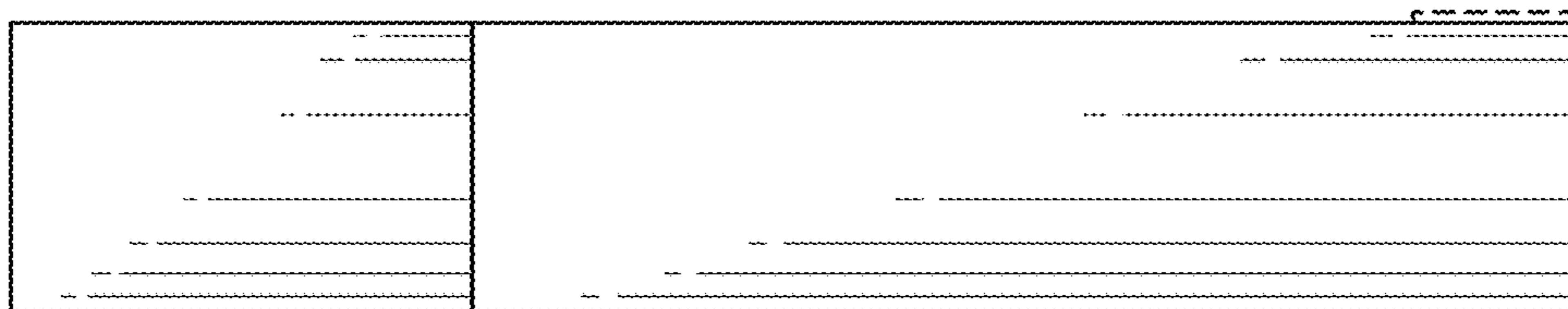


FIG. 16