



US00D825097S

(12) **United States Design Patent** (10) **Patent No.:** **US D825,097 S**
Vasylyev (45) **Date of Patent:** **** Aug. 7, 2018**

(54) **SOLID-STATE LIGHTING FIXTURE**

Primary Examiner — Brian N. Vinson

(71) Applicant: **Sergiy Vasylyev**, Elk Grove, CA (US)

(72) Inventor: **Sergiy Vasylyev**, Elk Grove, CA (US)

(73) Assignee: **SVV TECHNOLOGY INNOVATIONS, INC.**, Sacramento, CA (US)

(**) Term: **15 Years**

(21) Appl. No.: **29/593,863**

(22) Filed: **Feb. 13, 2017**

(51) **LOC (11) Cl.** **26-99**

(52) **U.S. Cl.**
USPC **D26/119**

(58) **Field of Classification Search**
USPC D26/24, 93, 106, 107, 109, 118, 120, D26/119, 85
CPC F21S 6/00; F21S 6/002; F21S 6/004; F21S 6/008; F21S 8/08; F21S 8/033; F21V 5/00; F21W 2121/00; F21W 2131/30; F21D 91/02

See application file for complete search history.

(56) **References Cited**

U.S. PATENT DOCUMENTS

D145,946 S *	11/1946	Larson	D26/106
2,700,100 A *	1/1955	Wissinger	F23D 91/02
				248/229.14
3,178,569 A *	4/1965	Martin	F21S 8/033
				362/296.05
D313,669 S *	1/1991	Sonneman	D26/109
D349,173 S	6/1994	Fellinger		
D398,415 S *	9/1998	Markee	D26/118
D463,061 S *	9/2002	Ludwig	D26/118
D469,910 S *	2/2003	St-Pierre	D26/85
D514,246 S	1/2006	Hoering et al.		
D550,392 S	9/2007	Guercio et al.		
D562,491 S	2/2008	DiCola		

(Continued)

(57) **CLAIM**

The ornamental design for a solid-state lighting fixture, as shown and described.

DESCRIPTION

A portion of the material in this patent document is subject to copyright protection under the copyright laws of the United States and of other countries. The owner of the copyright rights has no objection to the facsimile reproduction by anyone of the patent document or the patent disclosure, as it appears in the United States Patent and Trademark Office publicly available file or records, but otherwise reserves all copyright rights whatsoever. The copyright owner does not hereby waive any of its rights to have this patent document maintained in secrecy, including without limitation its rights pursuant to 37 C.F.R. § 1.14.

FIG. 1 is a front, top and left side perspective view of a solid-state lighting fixture showing a first embodiment of my new design;

FIG. 2 is a front view thereof;

FIG. 3 is a rear view thereof;

FIG. 4 is a left side view thereof, the right side view being a mirror image thereof;

FIG. 5 is a top view thereof, the bottom view being a mirror image thereof;

FIG. 6 is a front, top and left side perspective view of a second embodiment thereof;

FIG. 7 is a front view thereof;

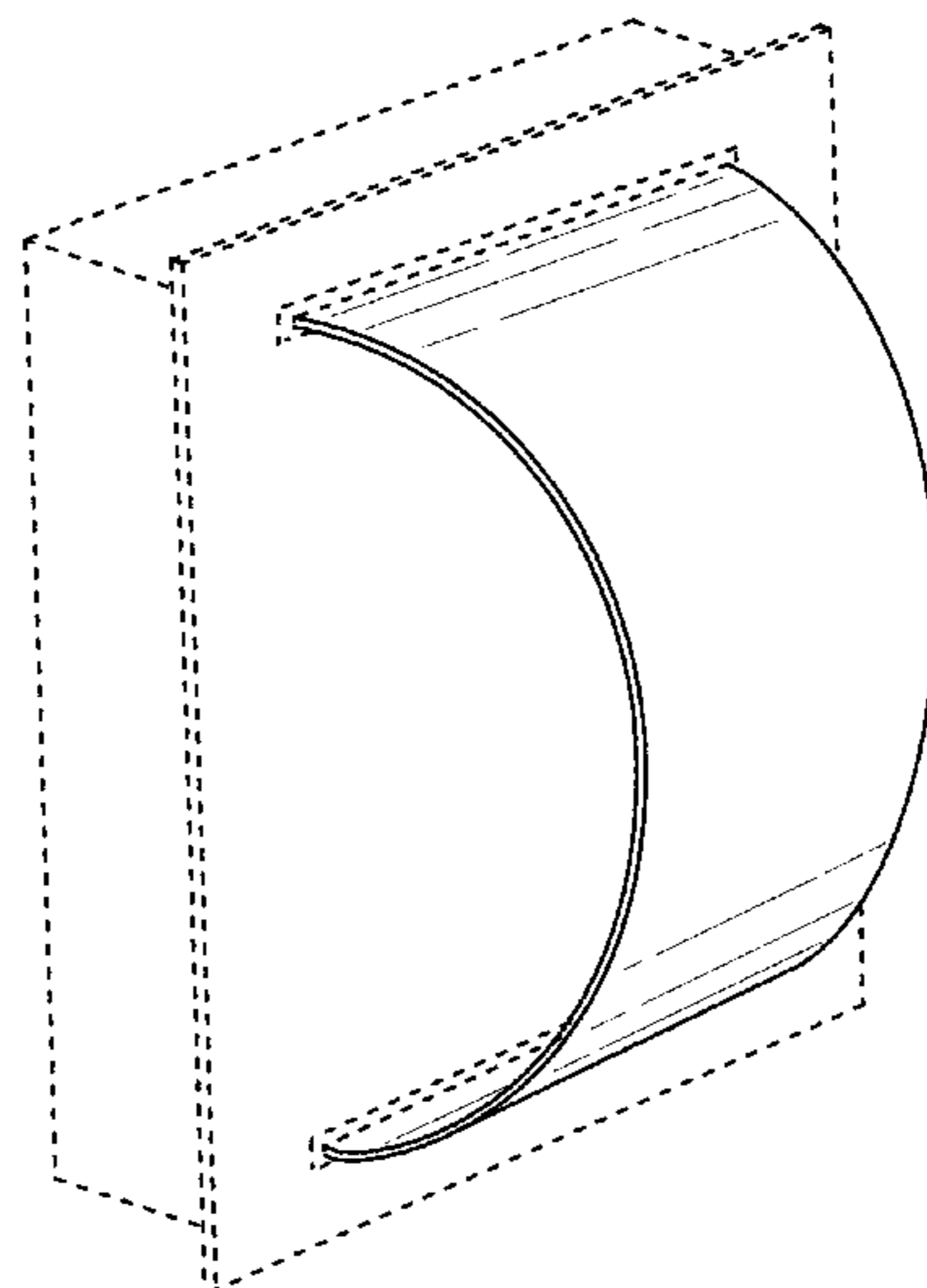
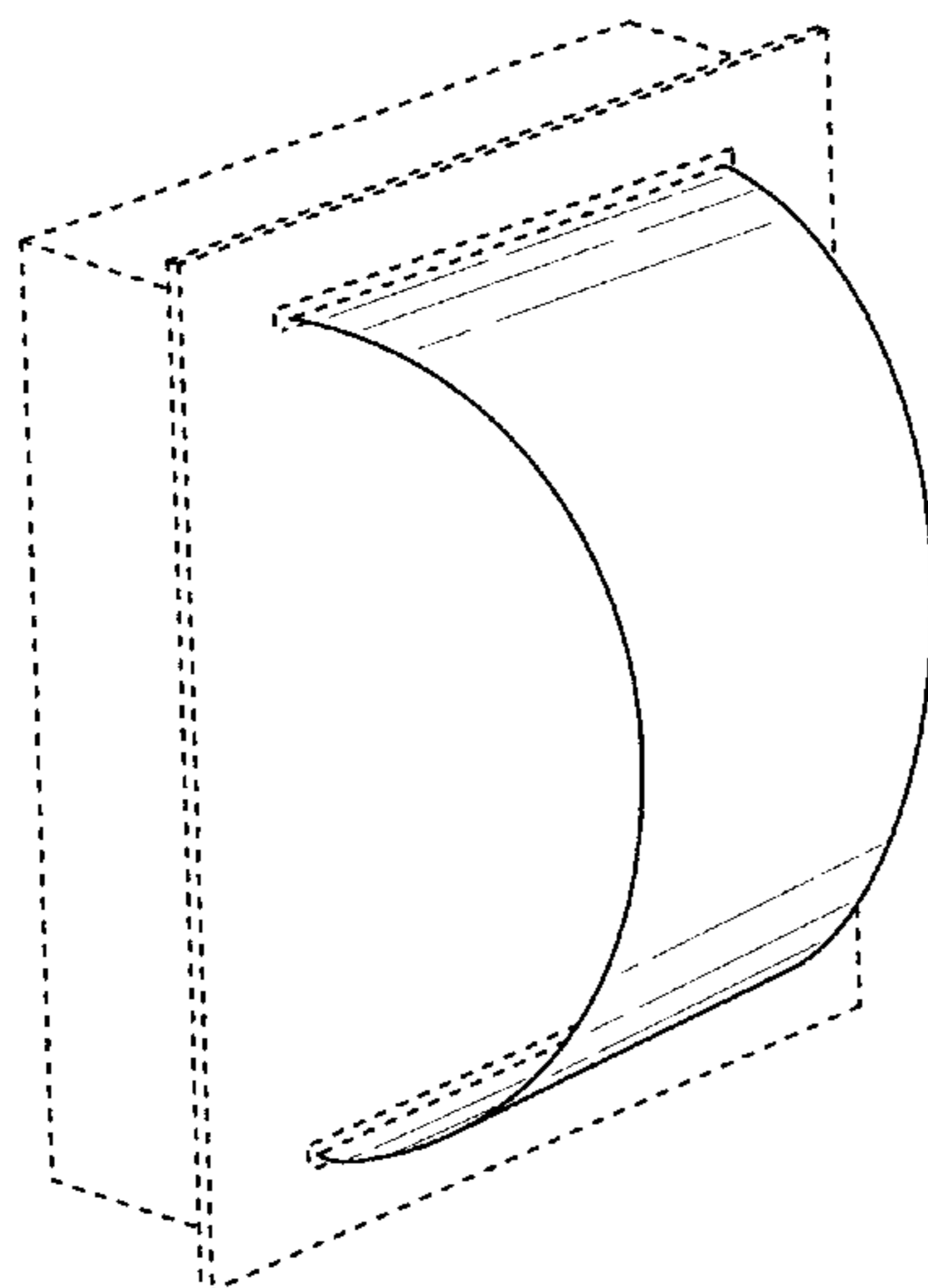
FIG. 8 is a rear view thereof;

FIG. 9 is a left side view thereof, the right side view being a mirror image thereof; and,

FIG. 10 is a top view thereof, the bottom view being a mirror image thereof.

The broken lines represent the bounds of the claim and form no part of the claimed design.

1 Claim, 4 Drawing Sheets



(56)

References Cited

U.S. PATENT DOCUMENTS

D609,843	S	*	2/2010	Ngai	D26/88
D610,296	S		2/2010	Boissevain et al.	
D617,036	S	*	6/2010	Trumble	D26/93
D624,225	S	*	9/2010	Federico	D26/63
D625,460	S	*	10/2010	Boissevain	D26/118
D633,247	S		2/2011	Kong et al.	
D639,987	S	*	6/2011	Federico	D26/106
D641,921	S	*	7/2011	Sabernig	D26/120
D646,425	S	*	10/2011	Crosby	D26/85
D668,810	S		10/2012	Bryant	
D692,176	S		10/2013	Parres	
D700,726	S		3/2014	Kim et al.	
D705,974	S		5/2014	Blessitt et al.	
D728,153	S		4/2015	Blessitt	
D729,436	S	*	5/2015	Arndt	D26/118
D735,401	S		7/2015	Clements	
D735,928	S	*	8/2015	Hawkins	D26/120
D744,152	S	*	11/2015	Lee	D26/107
D751,648	S		3/2016	Gongola et al.	
D785,851	S	*	5/2017	Sonneman	D26/118
D796,724	S	*	9/2017	Sonneman	D26/85
D797,985	S	*	9/2017	Perkins	D26/118

* cited by examiner

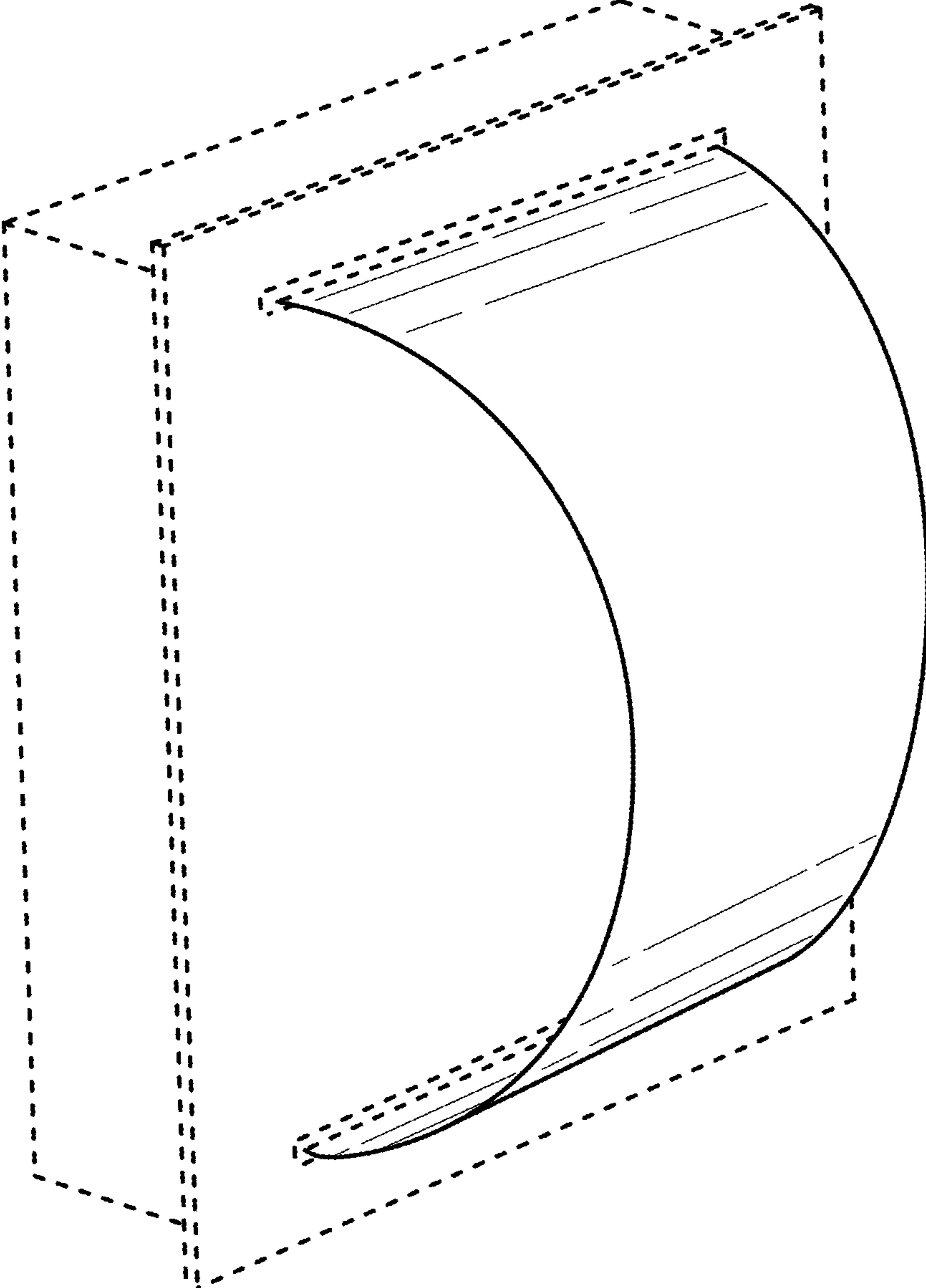


FIG. 1

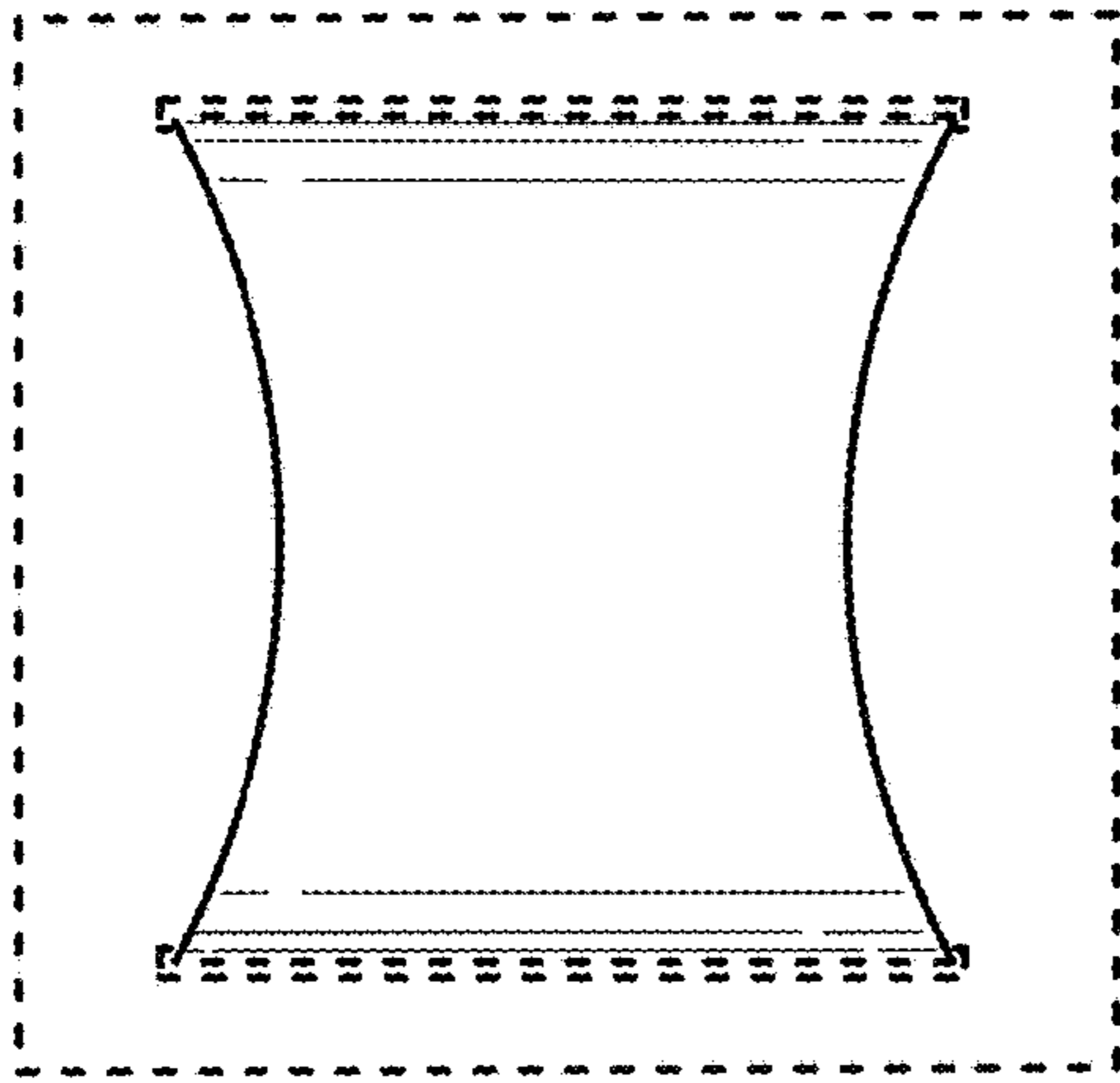


FIG. 2

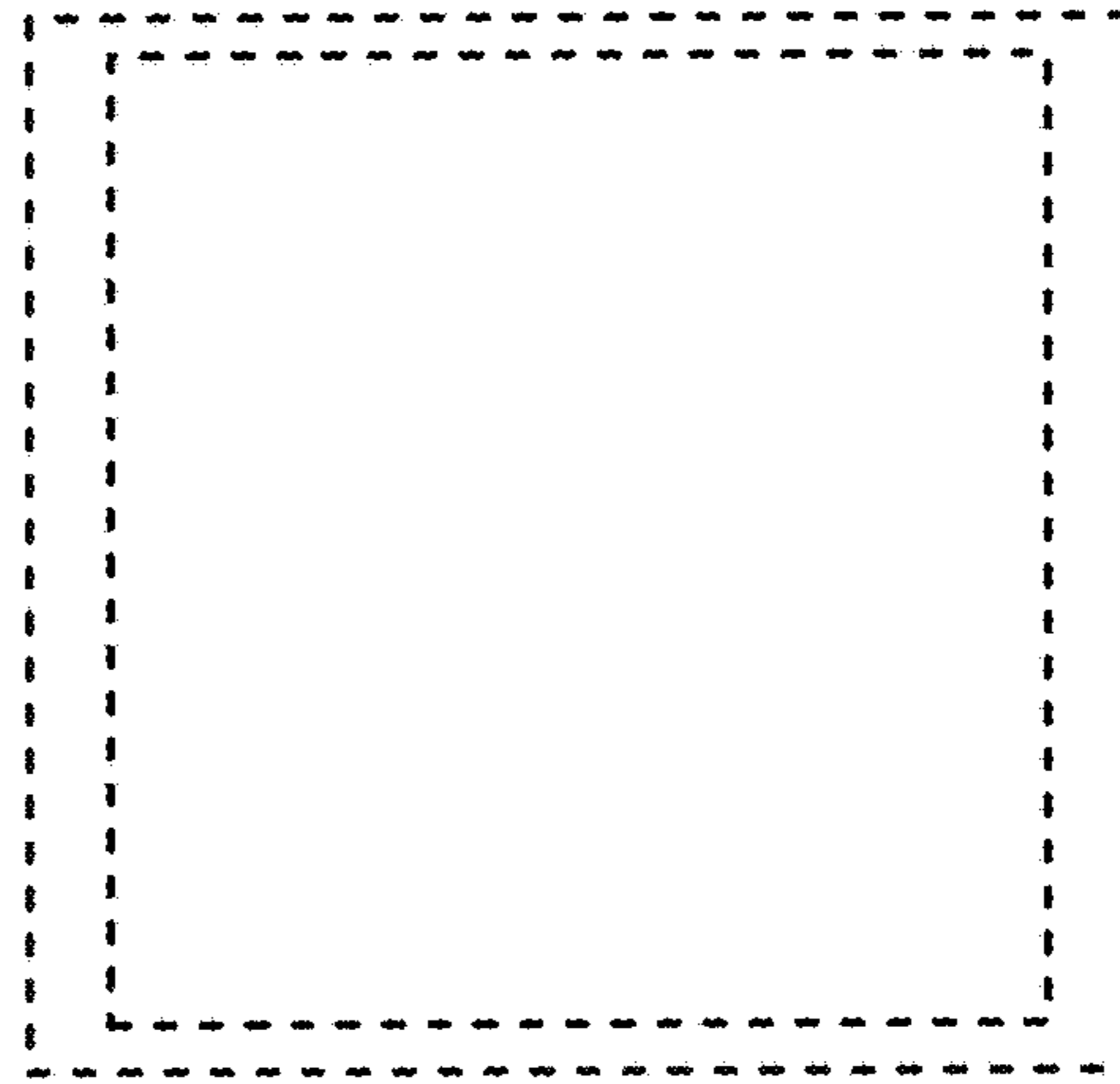


FIG. 3

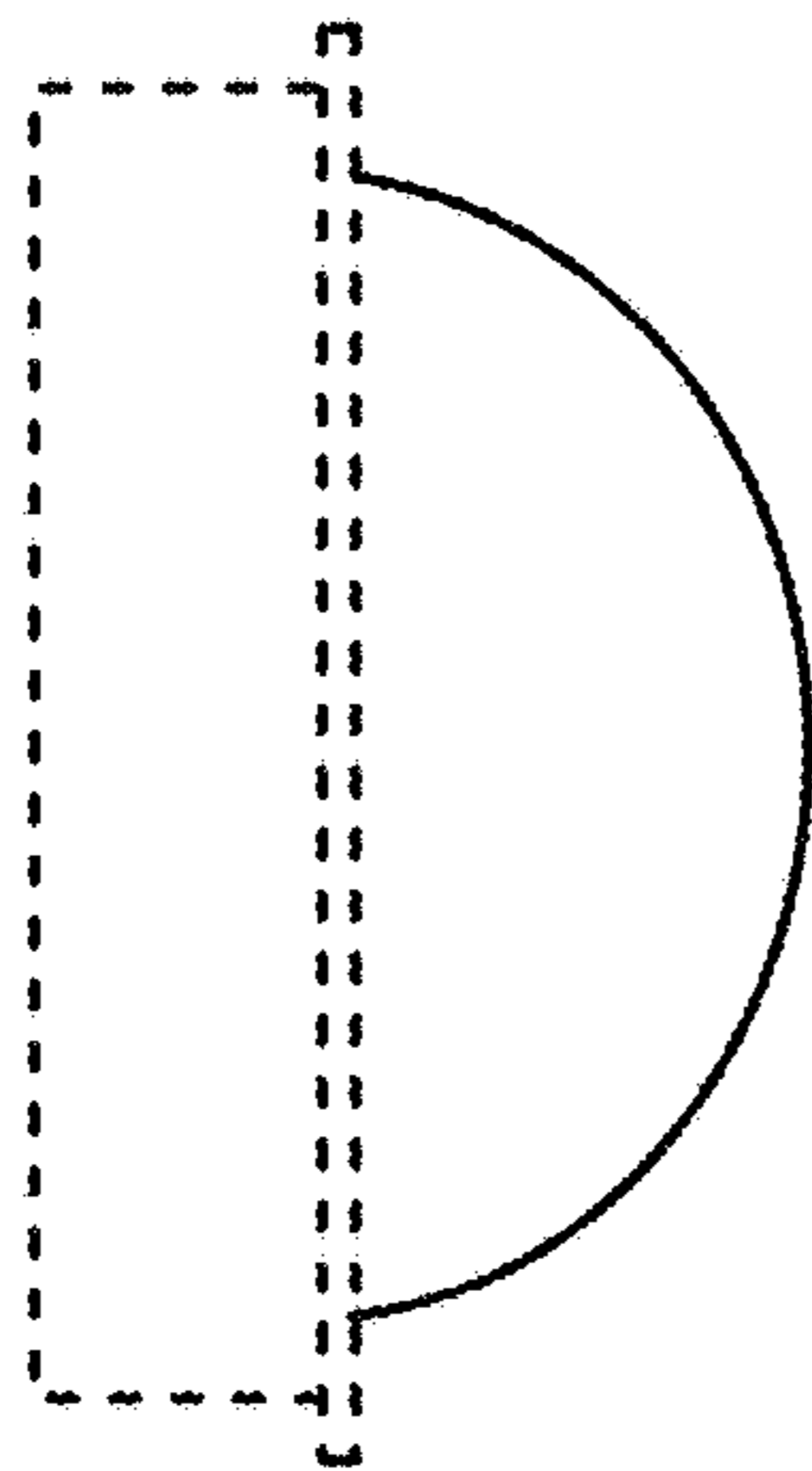


FIG. 4

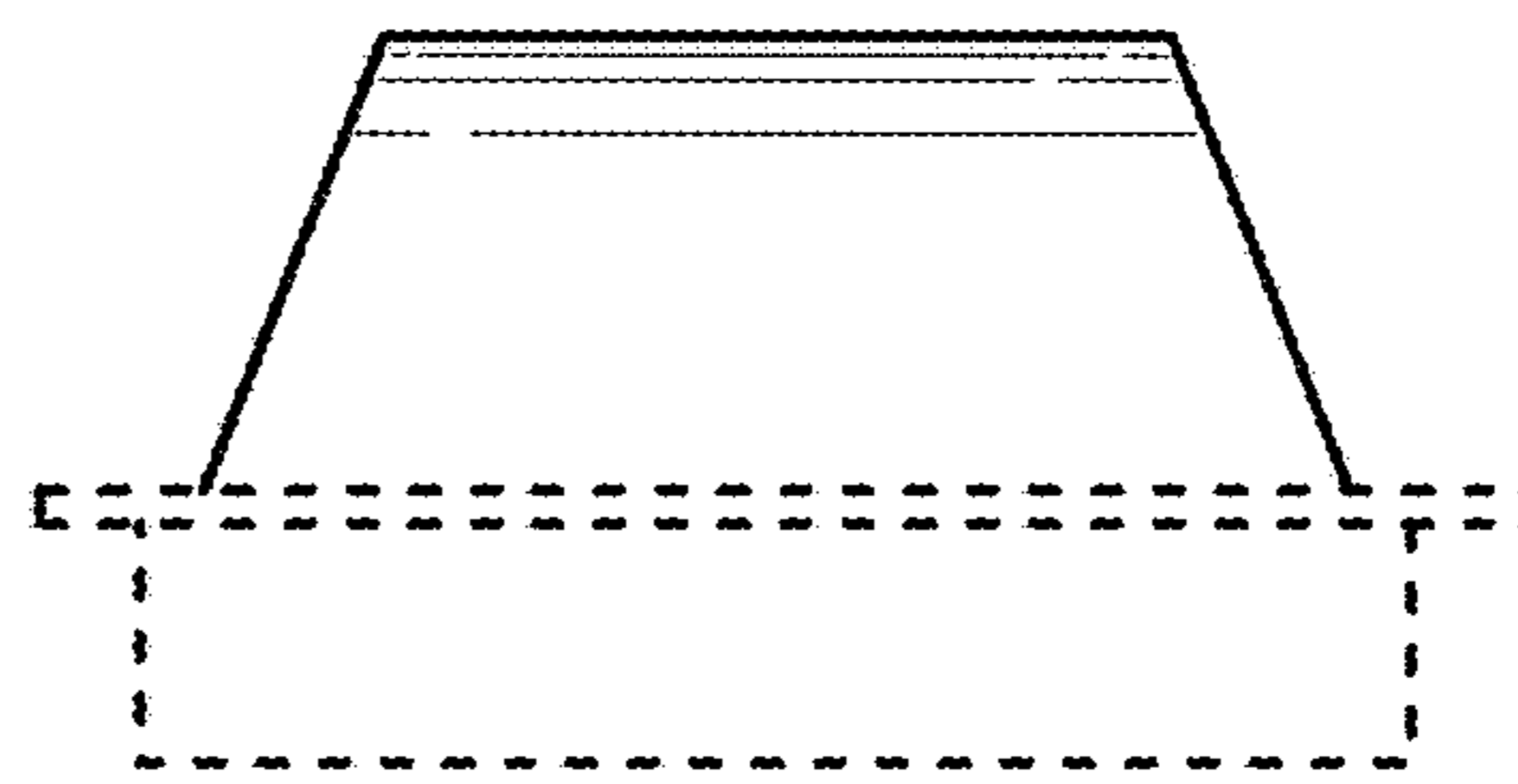


FIG. 5

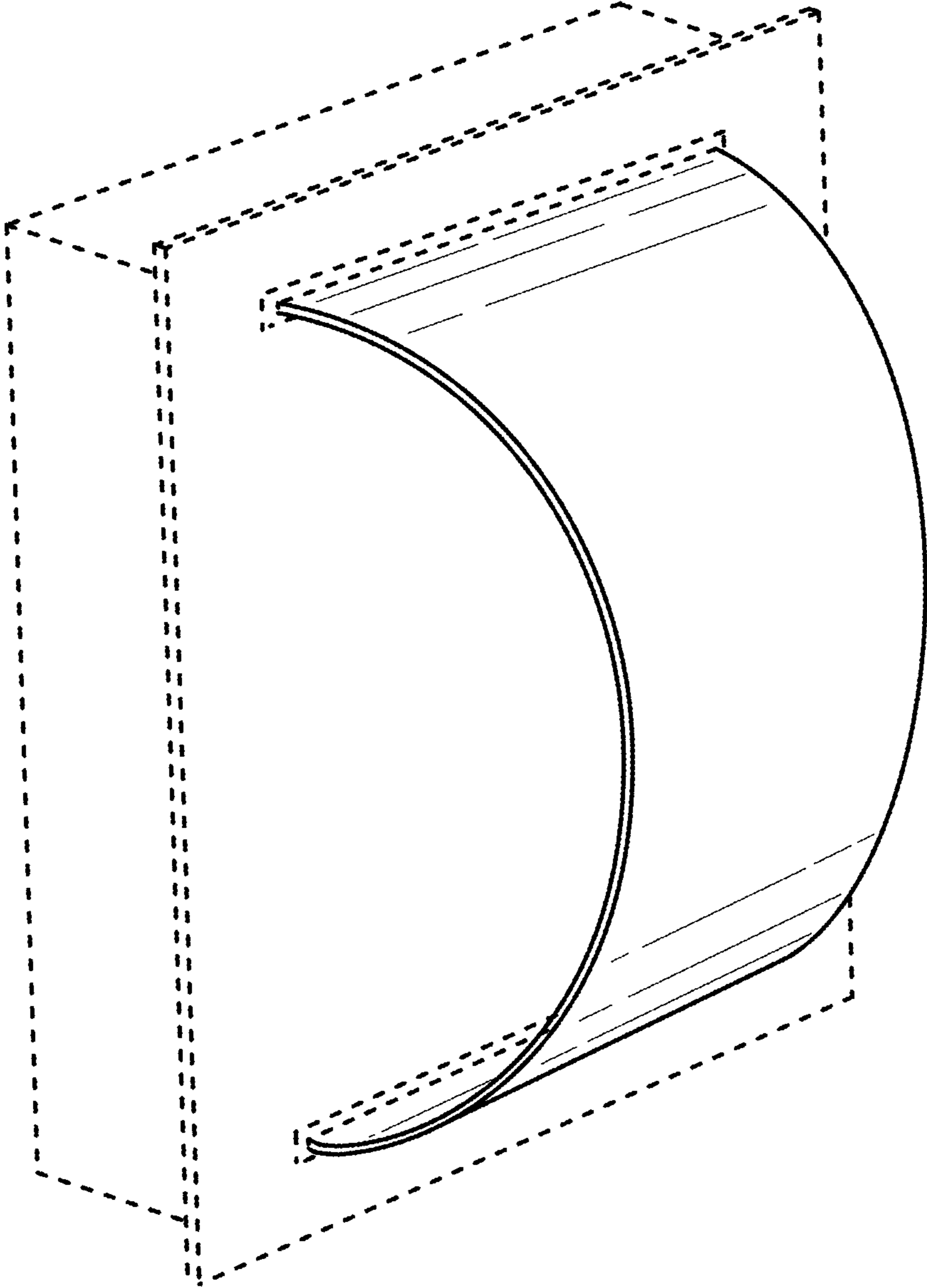


FIG. 6

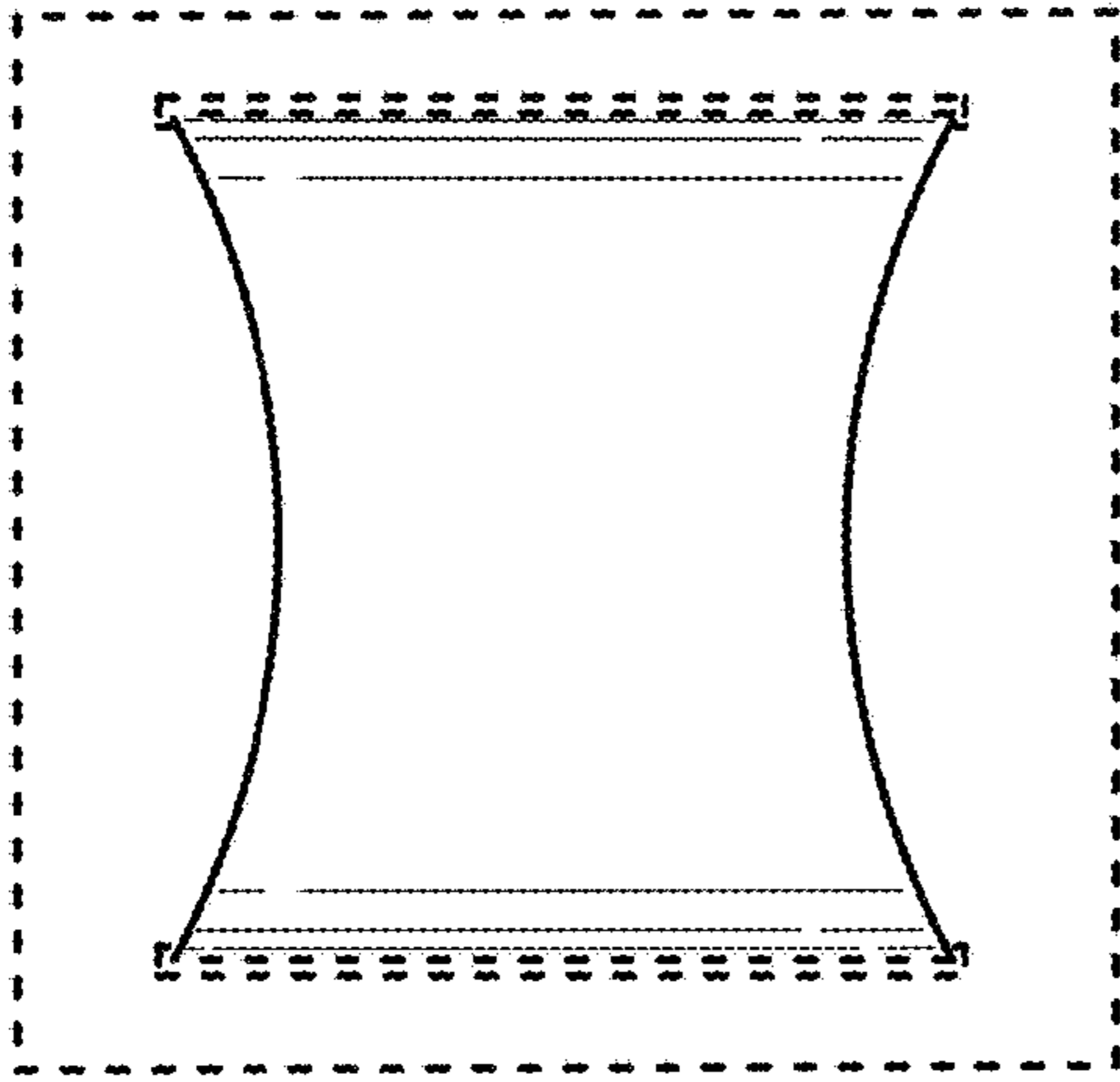


FIG. 7

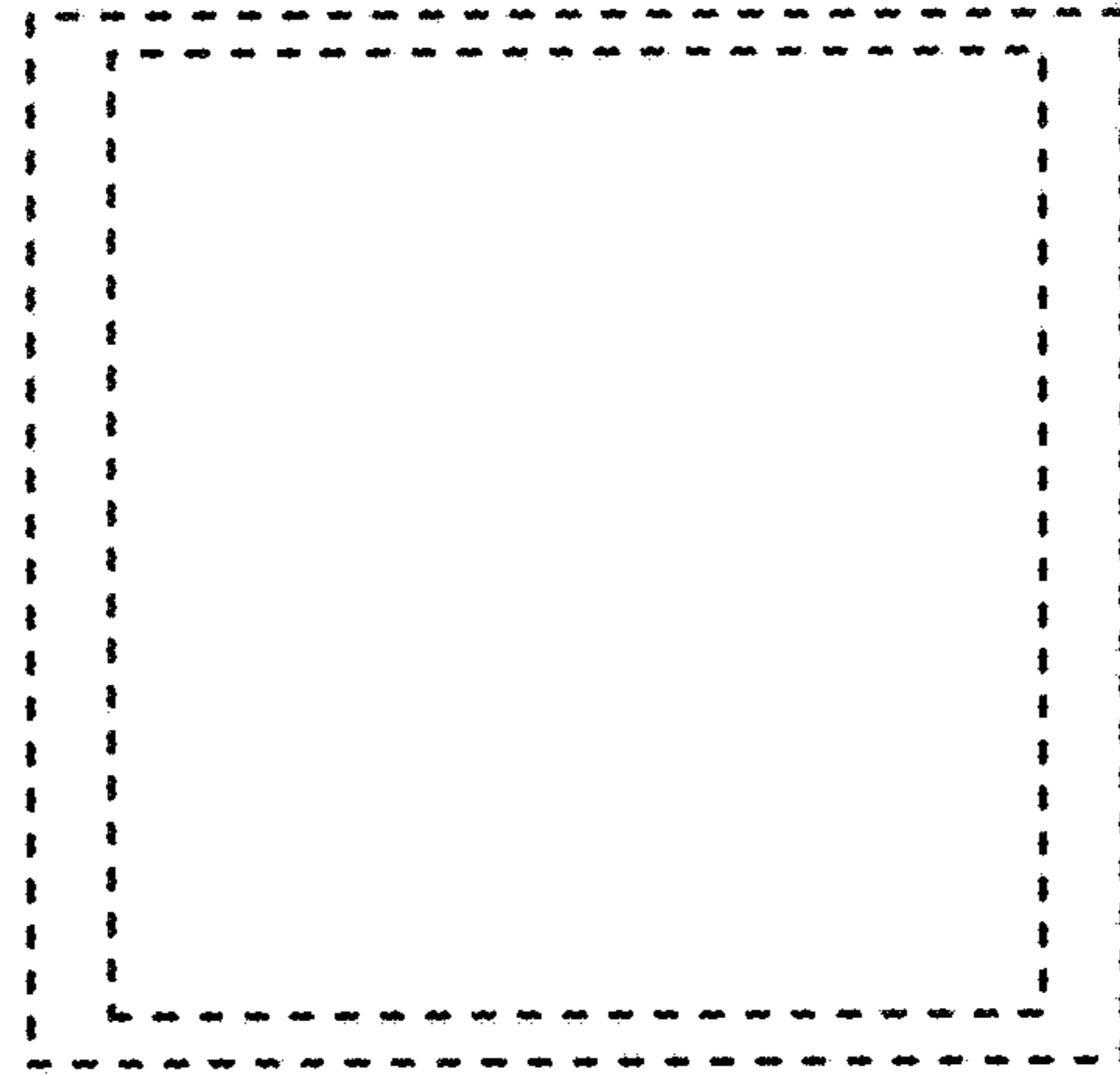


FIG. 8

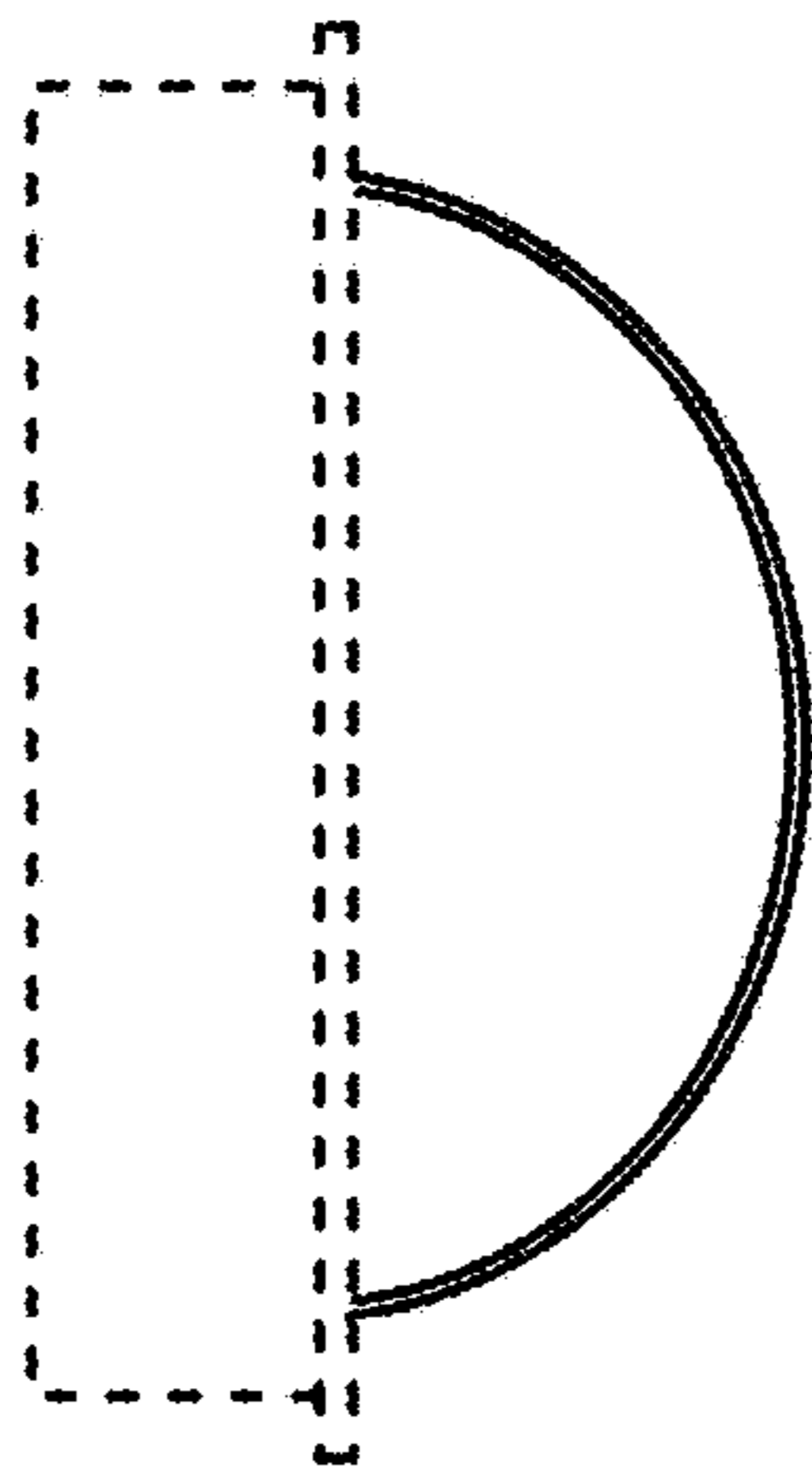


FIG. 9

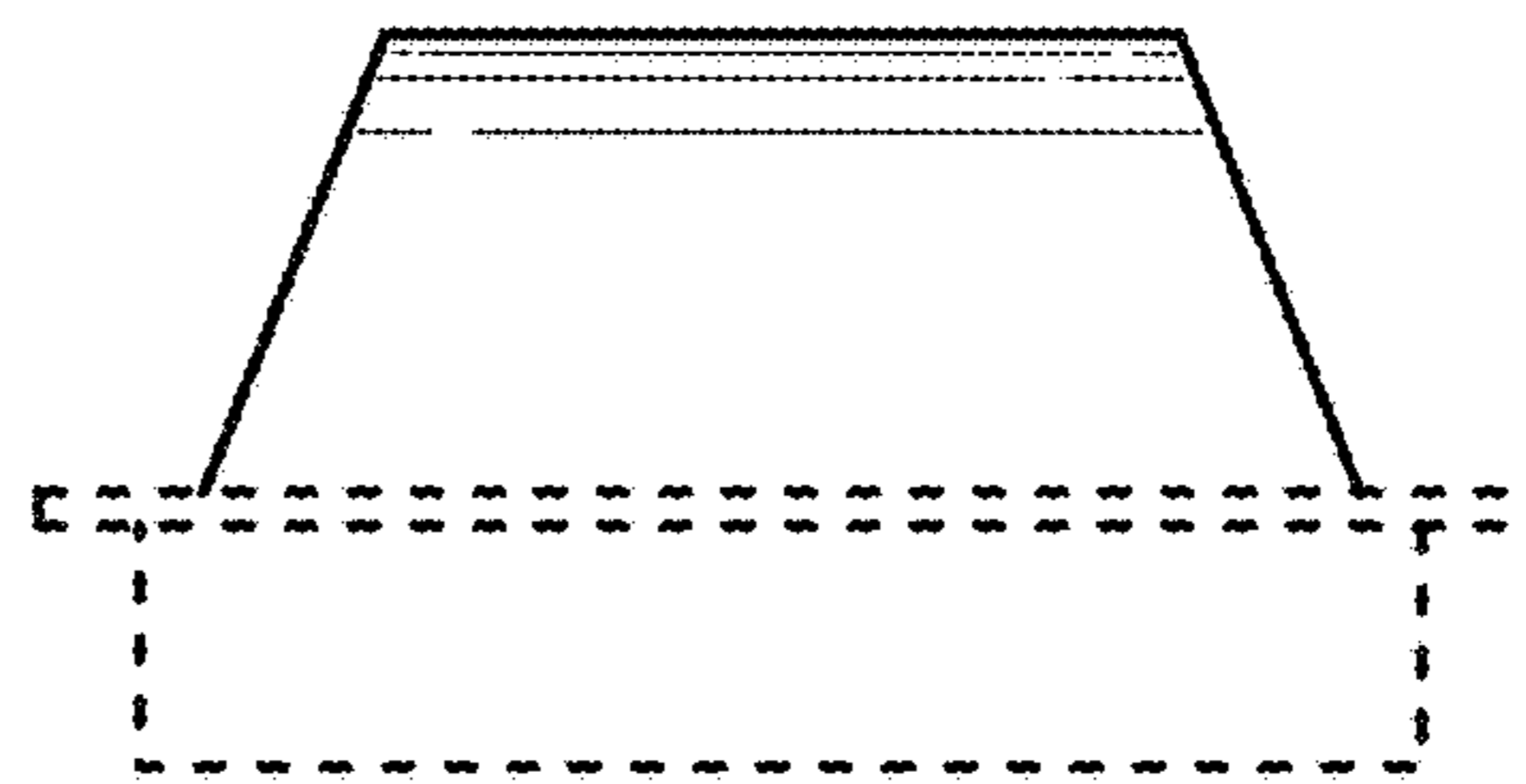


FIG. 10