



US00D825094S

(12) **United States Design Patent**  
**Hendifar et al.**

(10) **Patent No.:** **US D825,094 S**

(45) **Date of Patent:** **\*\* Aug. 7, 2018**

(54) **TABLE LAMP**

(71) Applicant: **APPARATUS, LLC**, New York, NY  
(US)

(72) Inventors: **Gabriel Hendifar**, Rhinebeck, NY  
(US); **Jeremy R. Anderson**, Rhinebeck,  
NY (US)

(73) Assignee: **APPARATUS LLC**, New York, NY  
(US)

(\*\*) Term: **15 Years**

(21) Appl. No.: **29/598,368**

(22) Filed: **Mar. 24, 2017**

(51) **LOC (11) Cl.** ..... **26-03**

(52) **U.S. Cl.**  
USPC ..... **D26/106**

(58) **Field of Classification Search**  
USPC ..... D26/24, 93, 95, 104, 106, 110  
CPC .... F21S 6/00; F21S 6/002; F21S 6/004; F21S  
6/008; F21S 8/08; F21V 21/00; F21V  
21/02; F21W 2131/30  
See application file for complete search history.

(56) **References Cited**

**U.S. PATENT DOCUMENTS**

D326,733 S \* 6/1992 Lee ..... D26/110  
D326,734 S \* 6/1992 Rizzi ..... D26/112

D381,110 S \* 7/1997 Wang ..... D26/110  
D391,664 S \* 3/1998 Lewis ..... D26/107  
D414,289 S \* 9/1999 Diaz-Azcuy ..... D26/110  
D625,039 S \* 10/2010 Citterio ..... D26/93  
D733,956 S \* 7/2015 Ellis ..... D26/110  
D741,536 S \* 10/2015 Ellis ..... D26/110  
D790,752 S \* 6/2017 Chow ..... D26/106  
D803,463 S \* 11/2017 Couchhuyt ..... D26/93

\* cited by examiner

*Primary Examiner* — Brian N Vinson

(74) *Attorney, Agent, or Firm* — Gottlieb, Rackman &  
Reisman, P.C.

(57) **CLAIM**

The ornamental design for a table lamp, as shown and  
described.

**DESCRIPTION**

FIG. 1 is a perspective view of the table lamp showing my  
new design;

FIG. 2 is a front elevational view thereof;

FIG. 3 is a rear elevational view thereof;

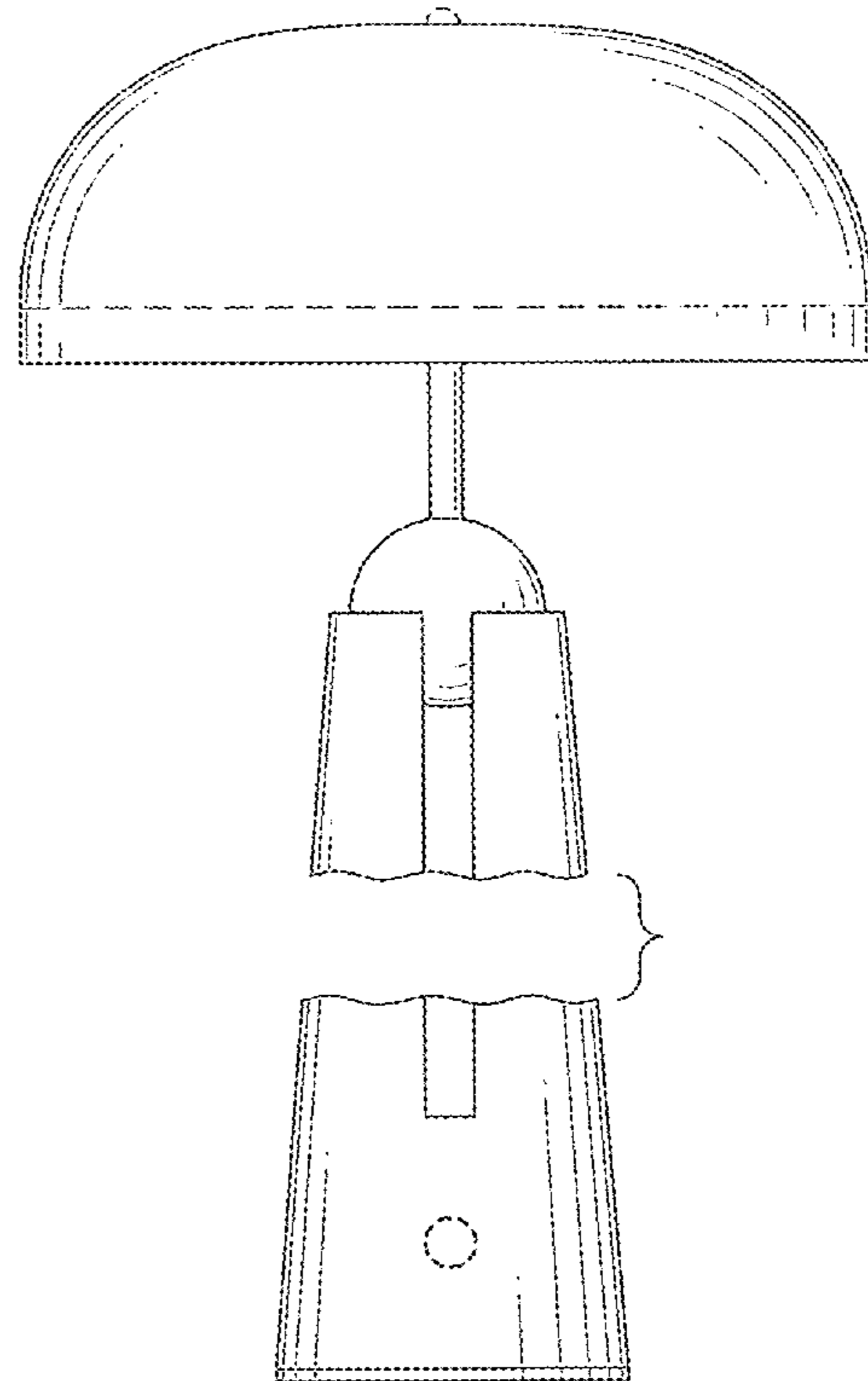
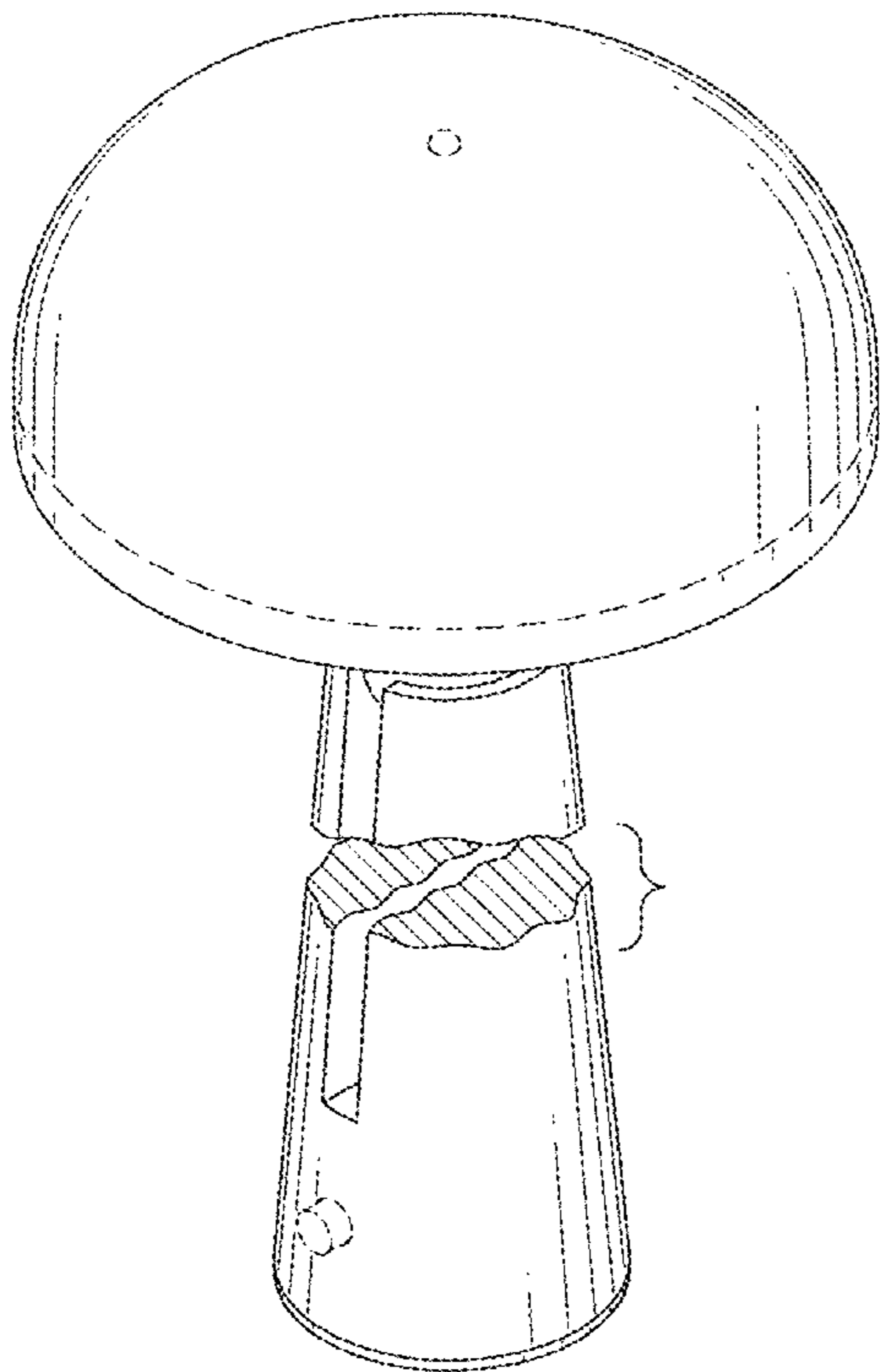
FIG. 4 is a left side elevational view thereof, the right side  
elevational view being a mirror image;

FIG. 5 is a top plan view thereof; and,

FIG. 6 is a bottom plan view thereof.

The areas between the break lines in FIGS. 1-4 form no part  
of the claimed design. The broken line disclosure represents  
portions of the fixture which forms no part of the claimed  
design.

**1 Claim, 5 Drawing Sheets**



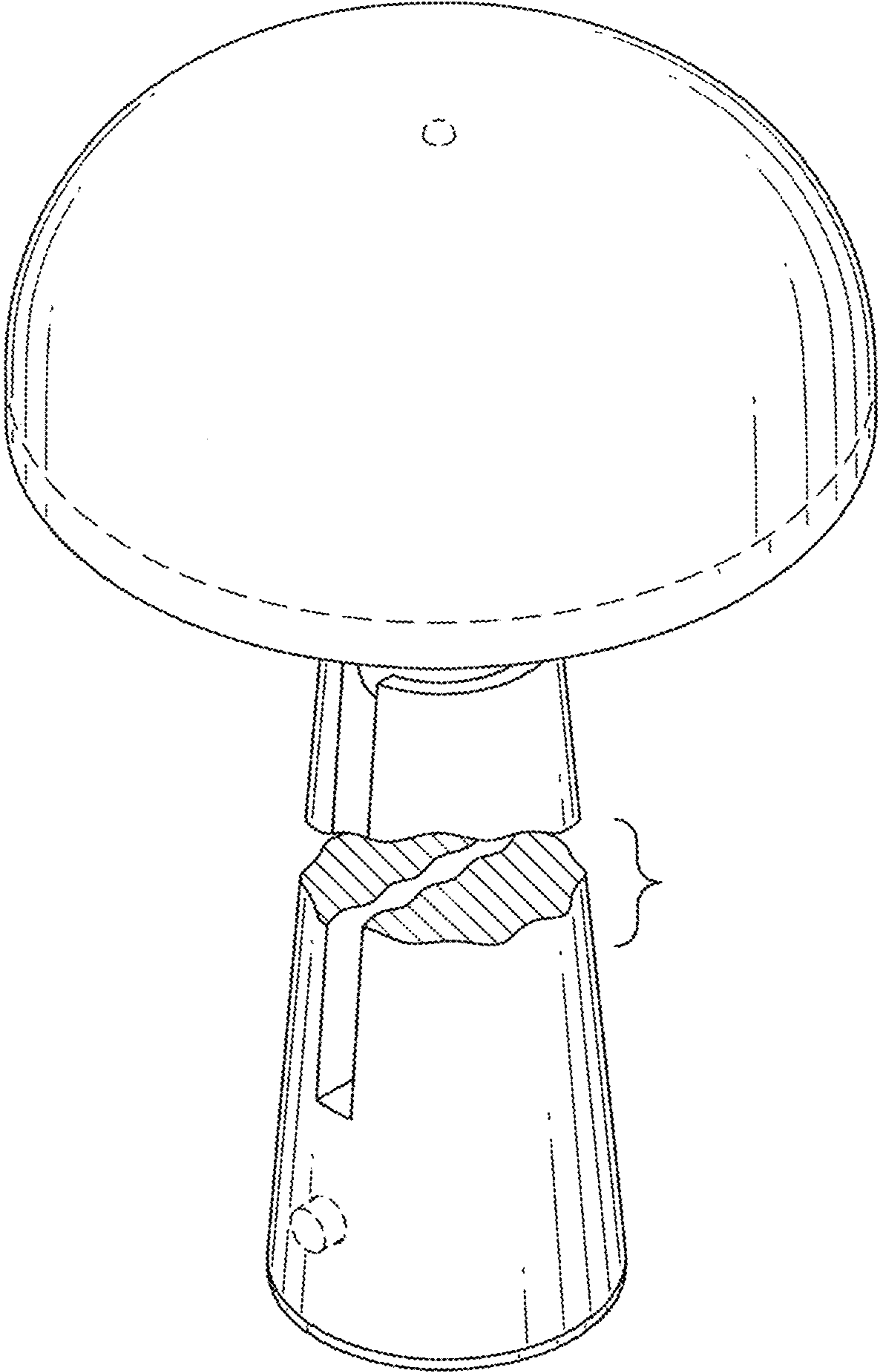


FIG. 1

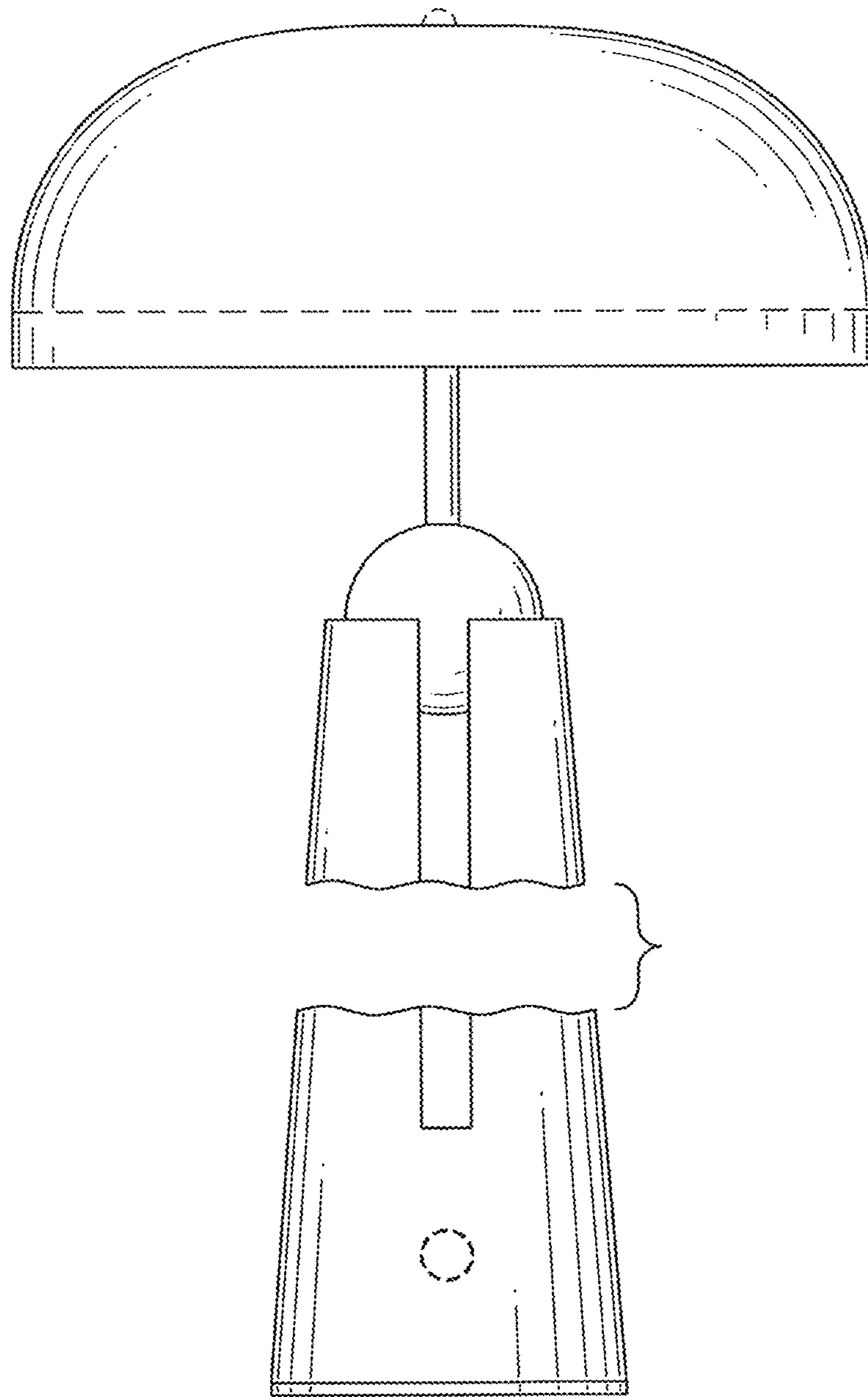


FIG. 2

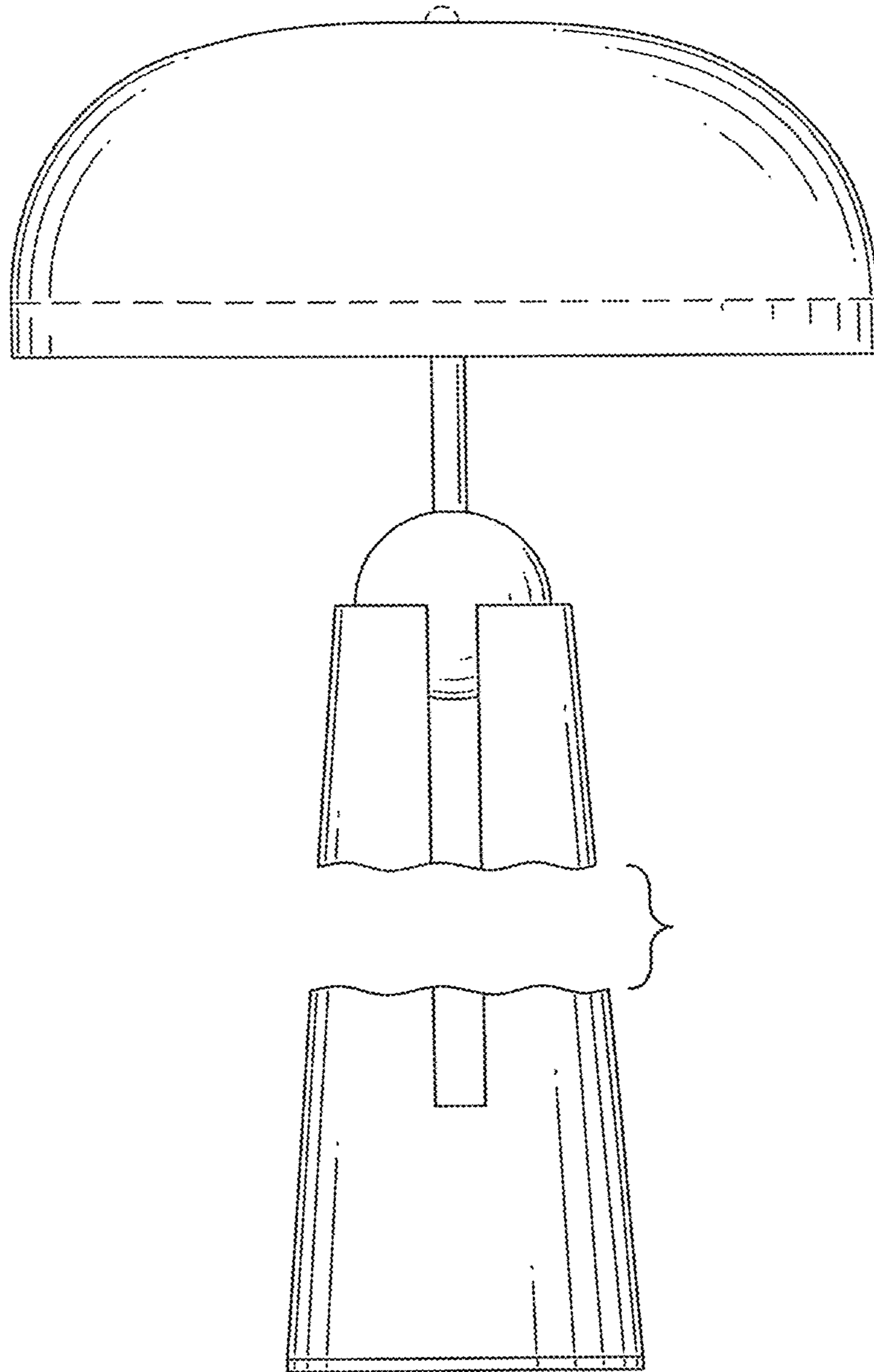


FIG. 3

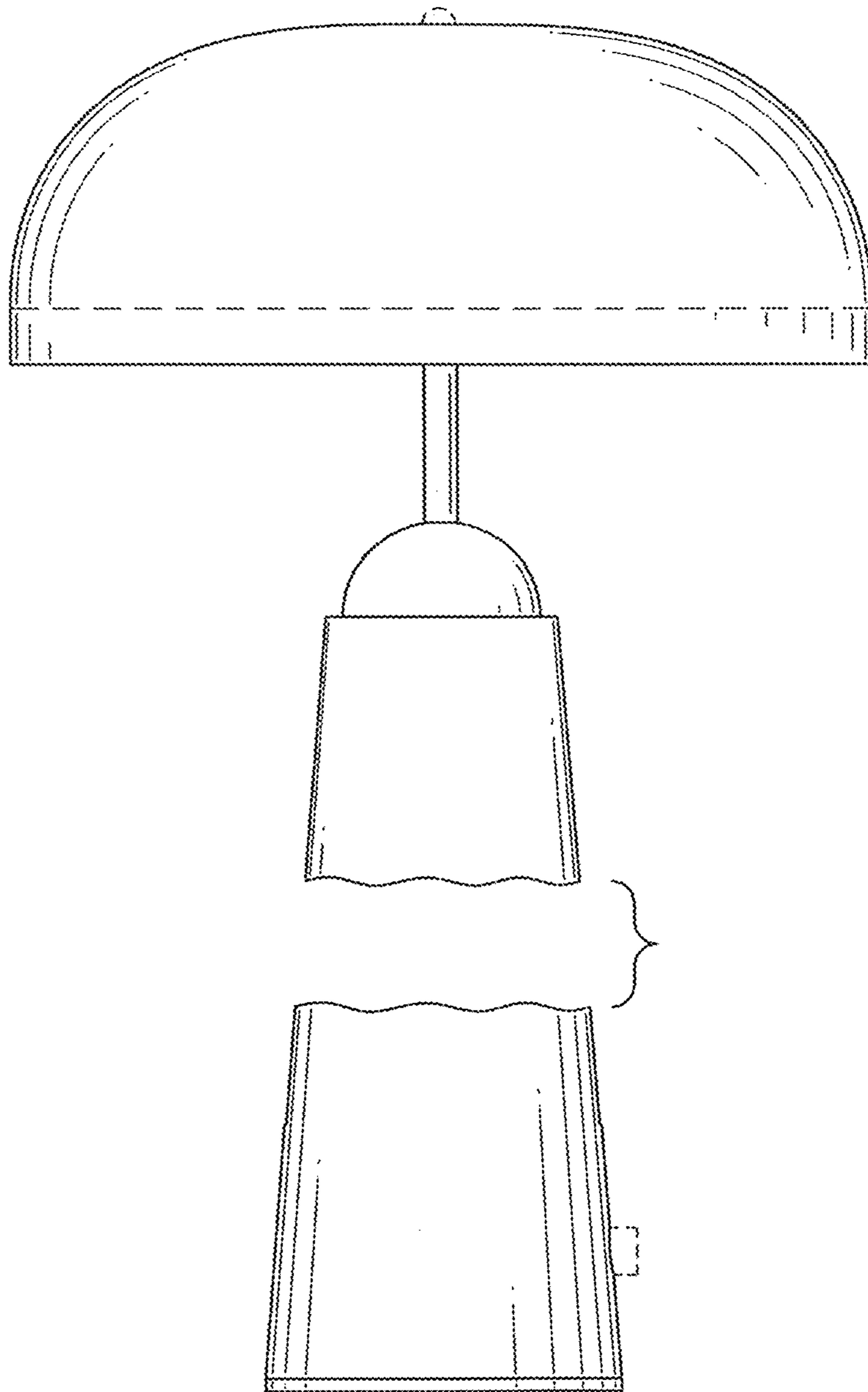


FIG. 4

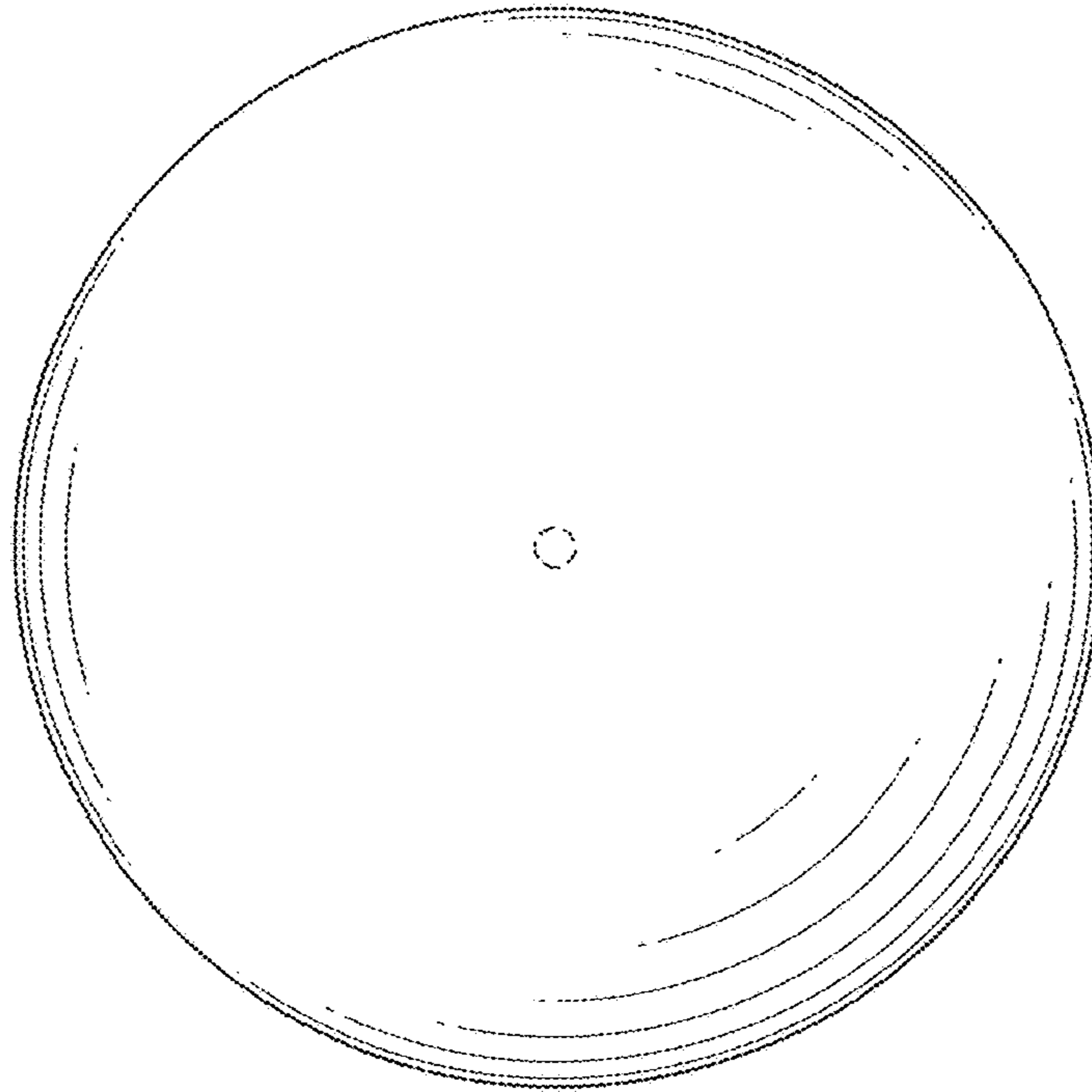


FIG. 5

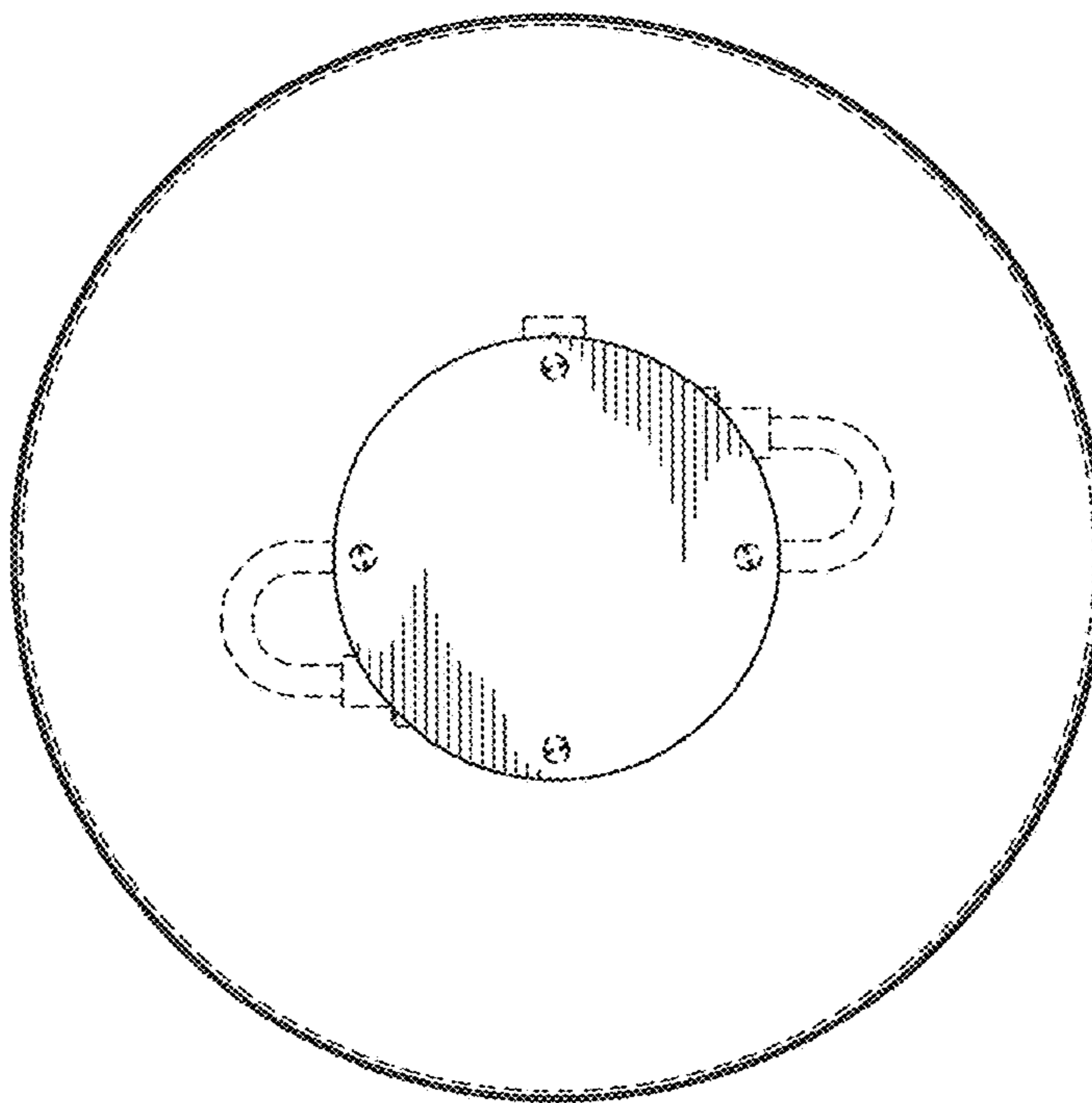


FIG. 6