



US00D825092S

(12) **United States Design Patent**
Amato et al.

(10) **Patent No.:** **US D825,092 S**

(45) **Date of Patent:** **** Aug. 7, 2018**

- (54) **LIGHTING FIXTURE**
- (71) Applicant: **The Urban Electric Company**, North Charleston, SC (US)
- (72) Inventors: **Michael Amato**, Johns Island, SC (US); **David Dawson**, Charleston, SC (US); **Jonathan Charpia**, Summerville, SC (US); **Christopher Roof**, Charleston, SC (US); **Joeangel Casanova**, North Charleston, SC (US); **Courteney Salsbury**, Mount Pleasant, SC (US); **Brianna Magagnoli**, Charleston, SC (US)
- (73) Assignee: **The Urban Electric Company**, North Charleston, SC (US)
- (**) Term: **15 Years**
- (21) Appl. No.: **29/598,971**
- (22) Filed: **Mar. 30, 2017**
- (51) **LOC (11) Cl.** **26-03**
- (52) **U.S. Cl.**
USPC **D26/88**
- (58) **Field of Classification Search**
USPC D26/72, 84, 85, 88, 118, 129, 132, 134, D26/136
CPC F21S 8/03; F21S 8/031; F21S 8/04; F21S 8/06; F21S 8/061; F21S 8/063; F21S 8/065
See application file for complete search history.

- 4,053,761 A * 10/1977 Brinkley F21S 6/002 362/404
- D433,526 S * 11/2000 Minissi D26/88
- D443,712 S * 6/2001 Minissi D26/72
- 7,249,871 B2 * 7/2007 Chen F21S 8/061 362/404
- D759,284 S * 6/2016 De Bevilacqua D26/104
- 9,746,147 B2 * 8/2017 Benner F21S 8/063
- D796,720 S * 9/2017 Bo D26/72
- D805,237 S * 12/2017 Amato D26/88

OTHER PUBLICATIONS

Markslojd History 1 Light Globe Pendant. SKU: MSJ3098 from wayfair.co.uk visited Mar. 13, 2018. (Year: 2018).*
Round Glass Vintage Industrial Pendant Light Fixture 6" Glass Globe. From OldeBrickLighting shop at etsy.com, visited Mar. 13, 2018. (Year: 2018).*

* cited by examiner

Primary Examiner — Clare E Heflin

(74) *Attorney, Agent, or Firm* — Jeffrey T. Stover; Haynsworth Sinkler Boyd, P.A.

(57) **CLAIM**

The ornamental design for a lighting fixture, as shown and described.

DESCRIPTION

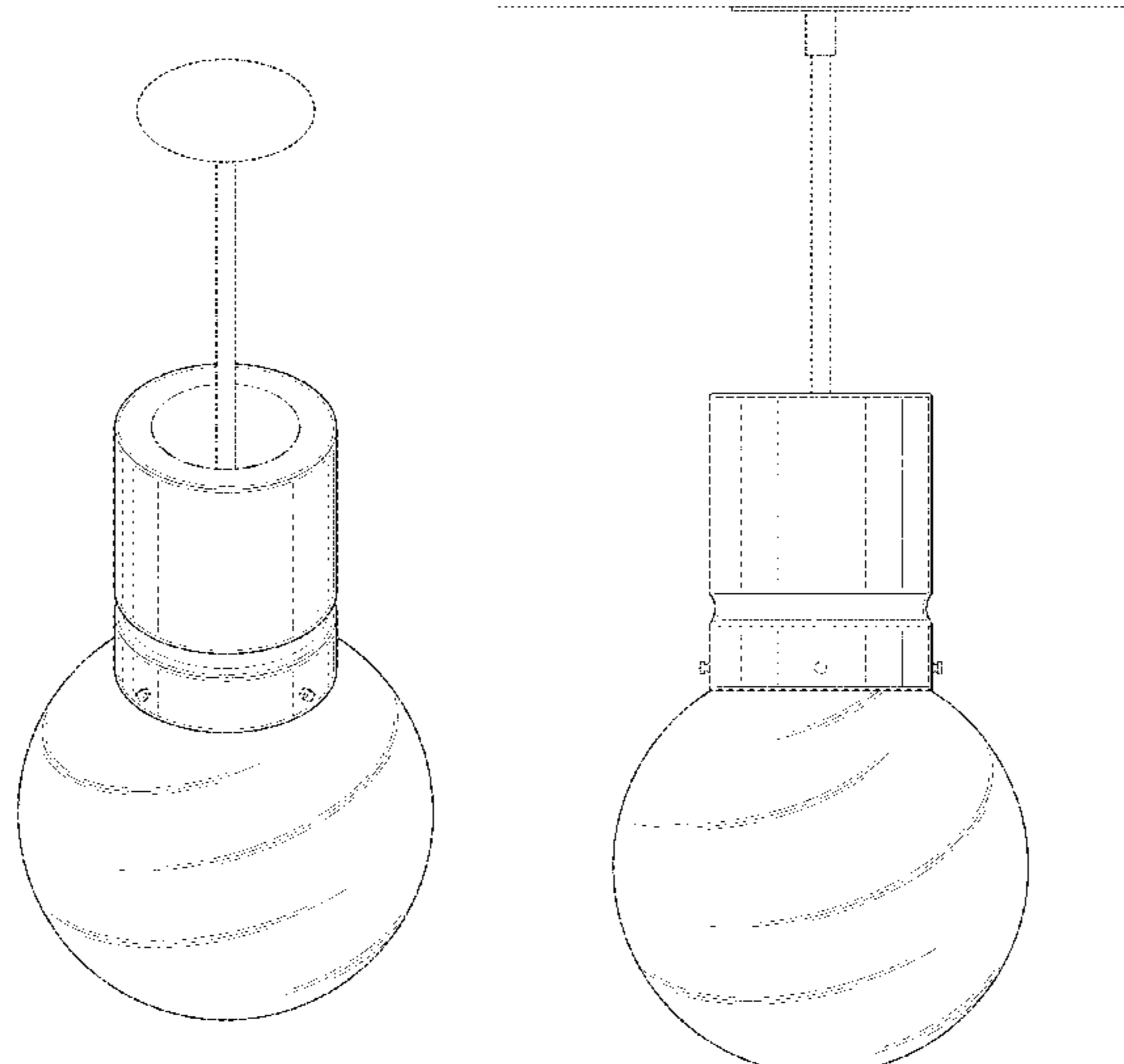
FIG. 1 is a top perspective view of a new lighting fixture design;
FIG. 2 is a back elevation view thereof;
FIG. 3 is a left side elevation view thereof;
FIG. 4 is a right side elevation view thereof;
FIG. 5 is a front elevation view thereof;
FIG. 6 is a top plan view thereof; and,
FIG. 7 is a bottom plan view thereof.
The broken lines showing a support stem, mount and mounting surface depict environmental structure that forms no part of the claimed design. The dot-dash-dot line defines the bounds of the claimed design and forms no part thereof.

1 Claim, 7 Drawing Sheets

(56) **References Cited**

U.S. PATENT DOCUMENTS

- D48,084 S * 11/1915 Reiser D26/72
- 1,200,877 A * 10/1916 Sable F21V 21/03 248/343
- D49,964 S * 11/1916 Humphrey D26/88
- D67,089 S * 4/1925 Klein D26/72



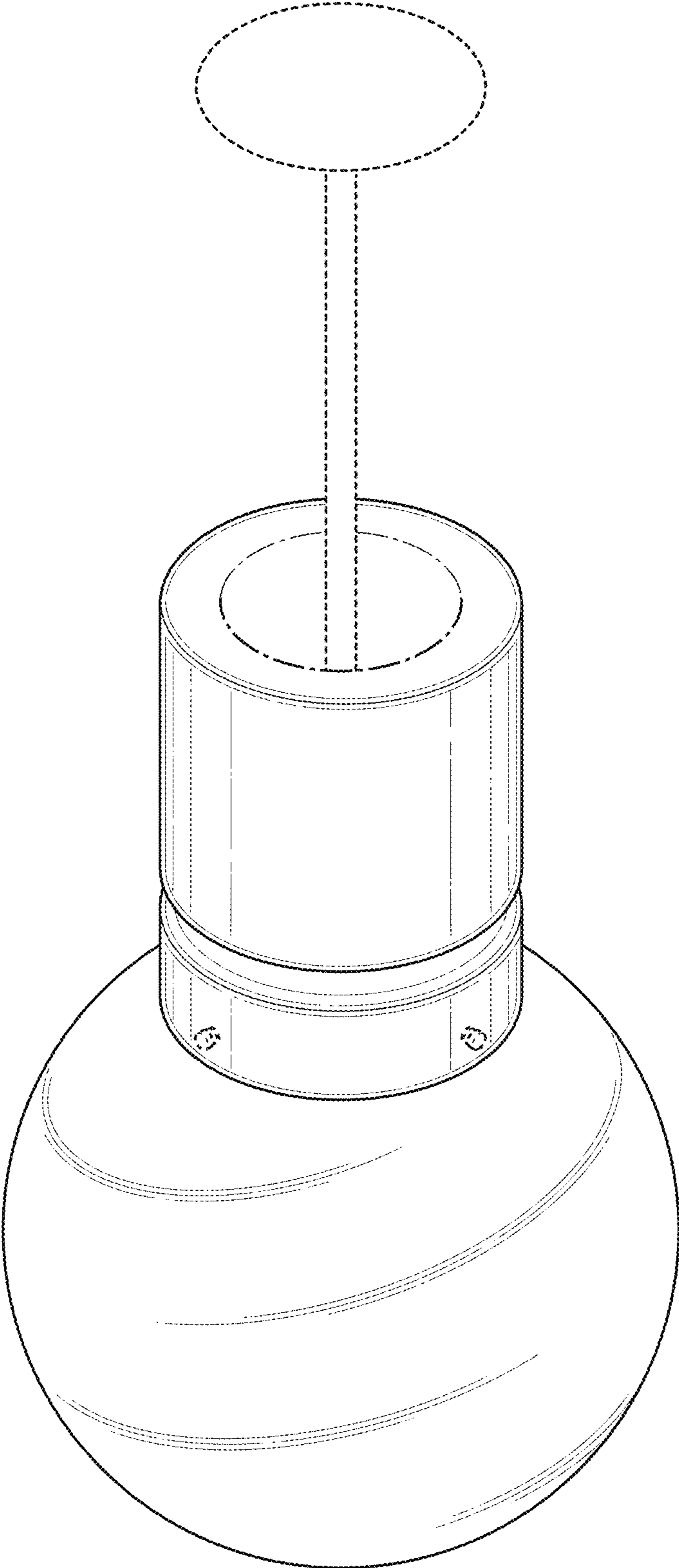


FIG. 1

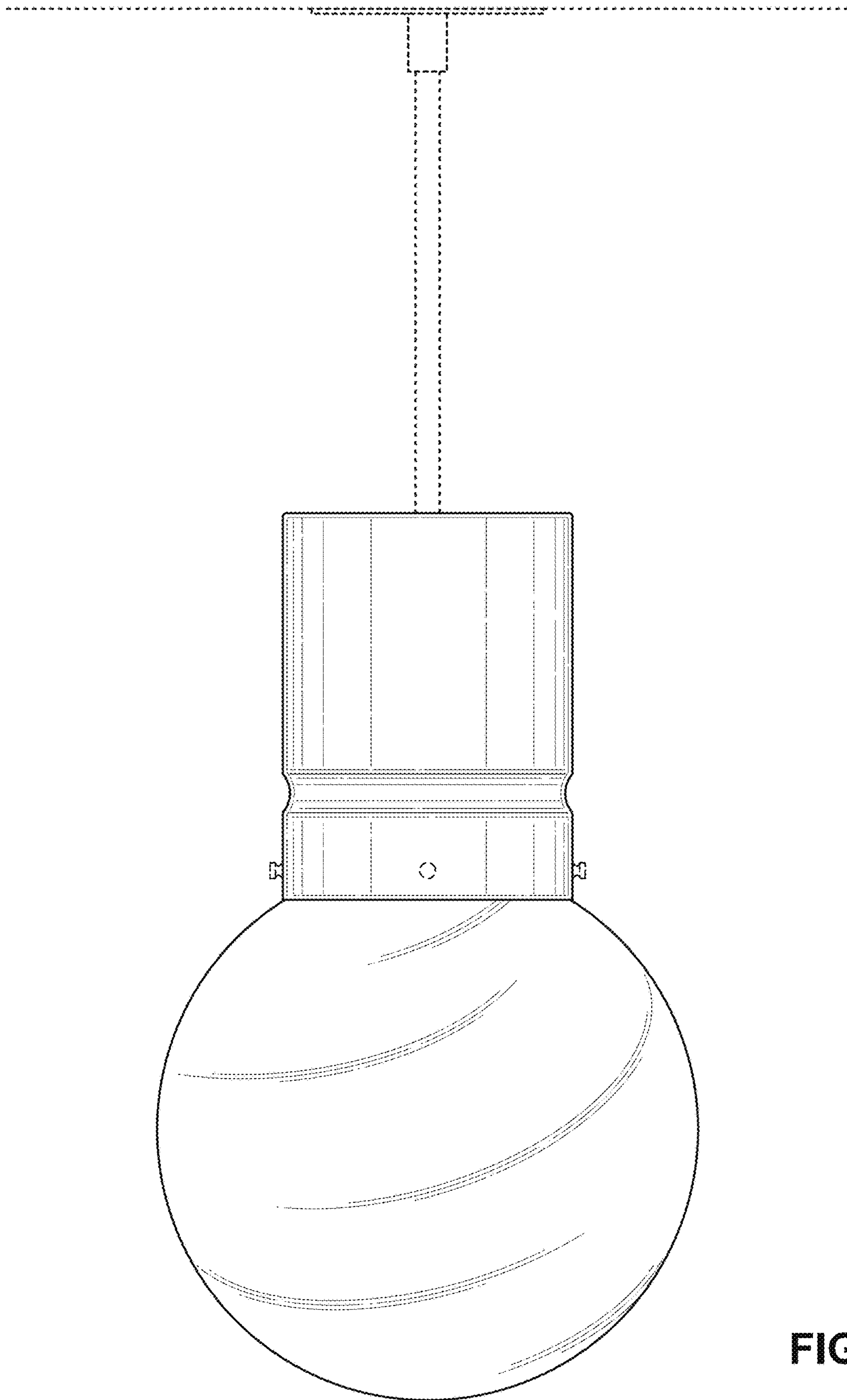


FIG. 2

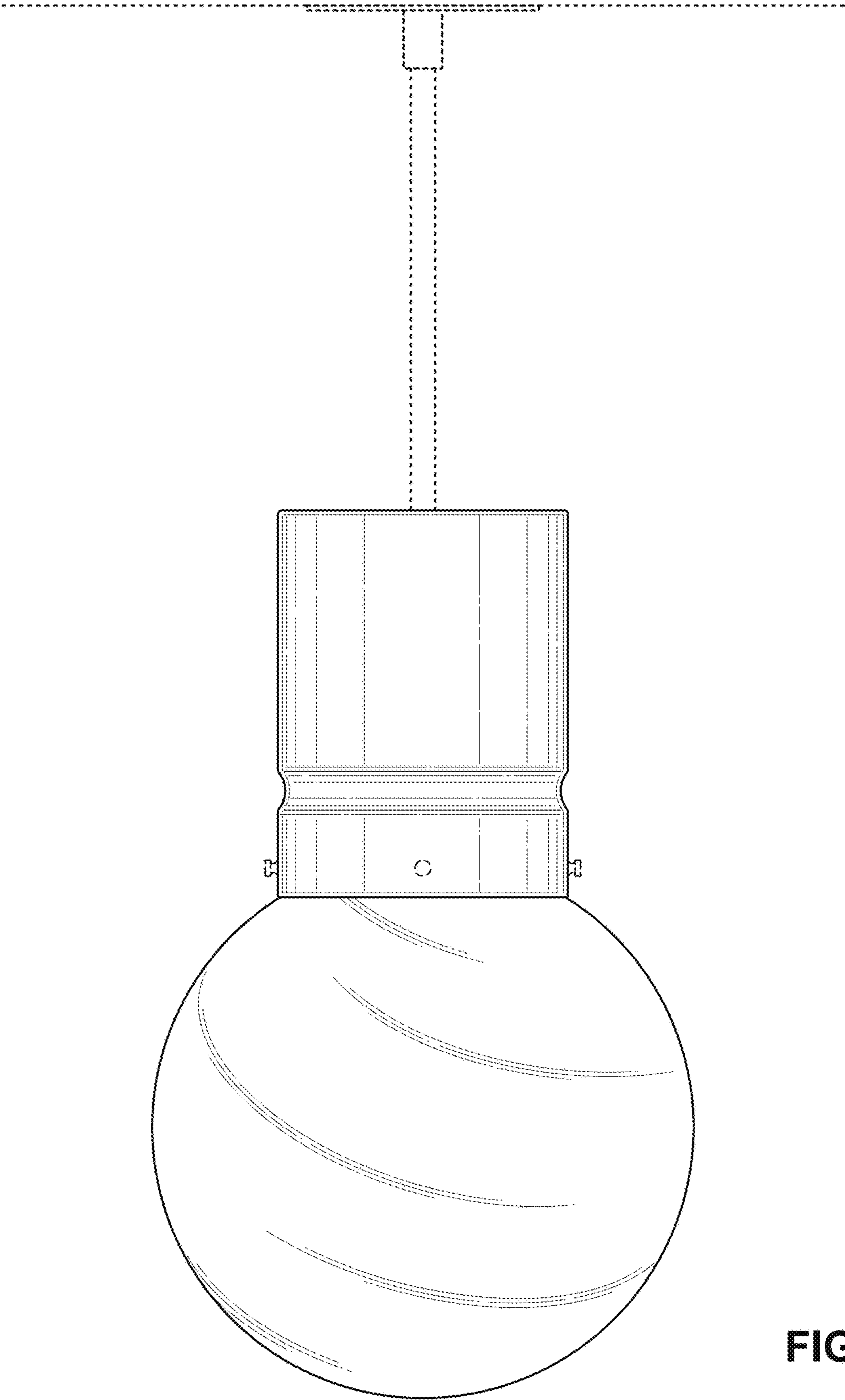


FIG. 3

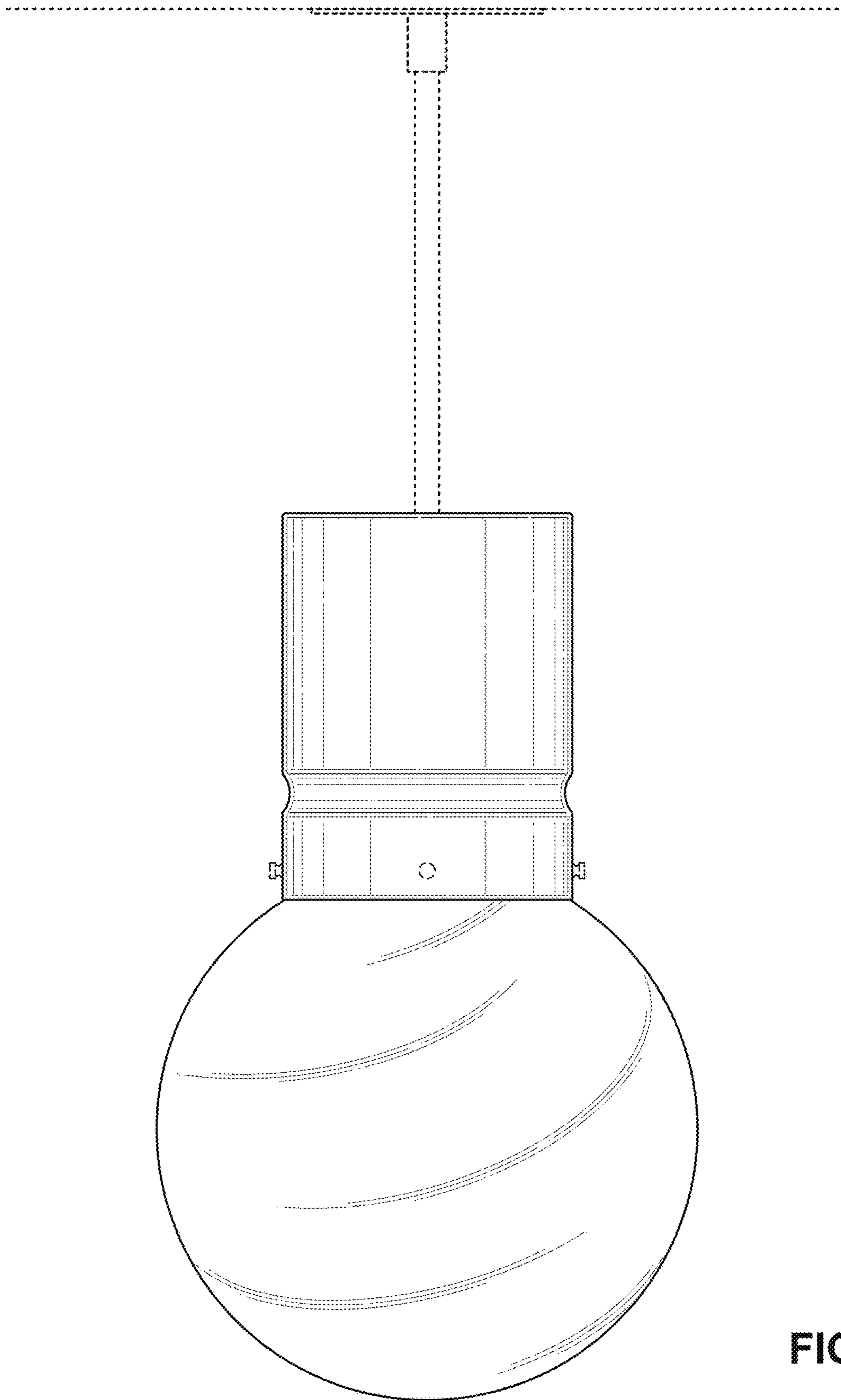


FIG. 4

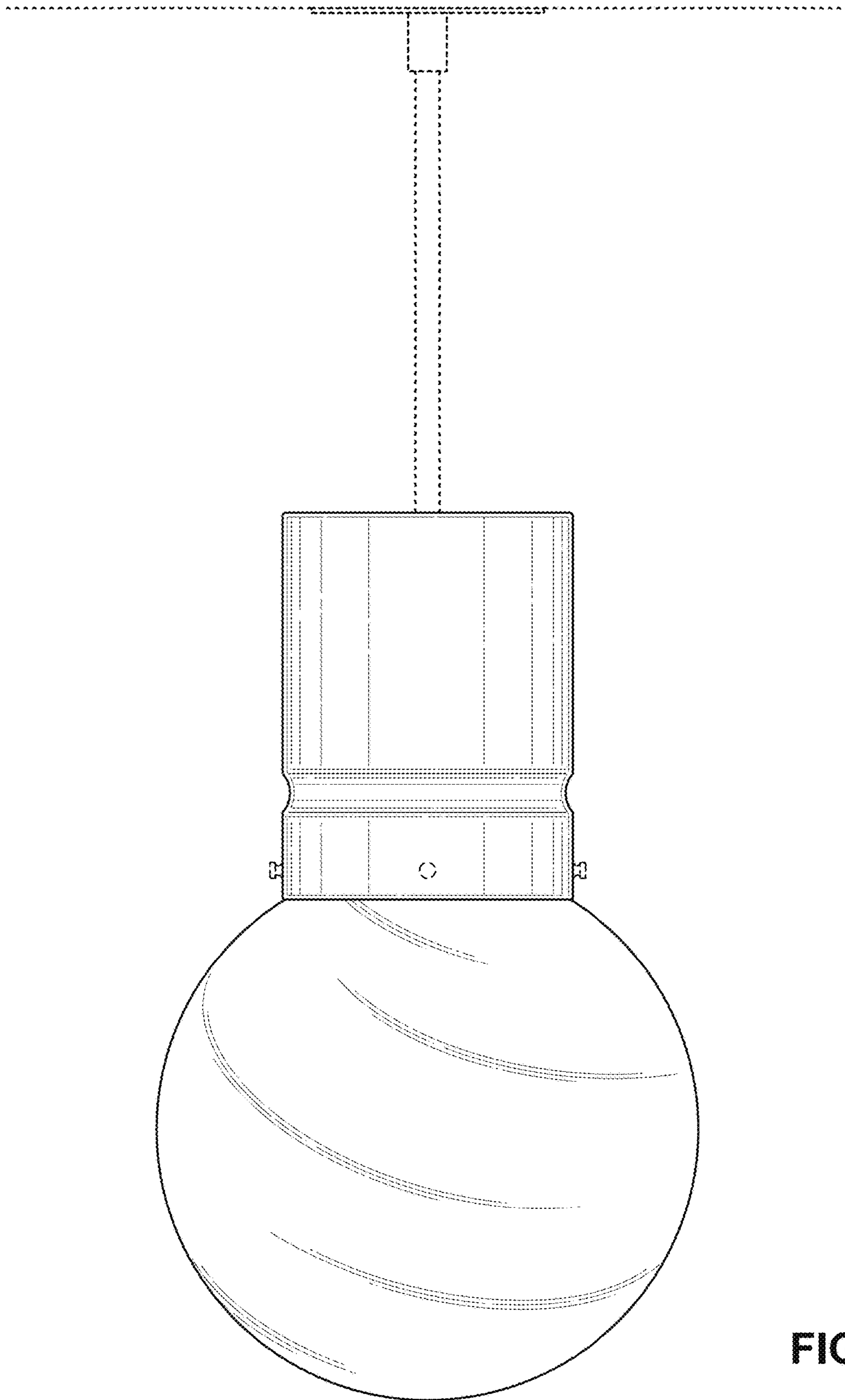


FIG. 5

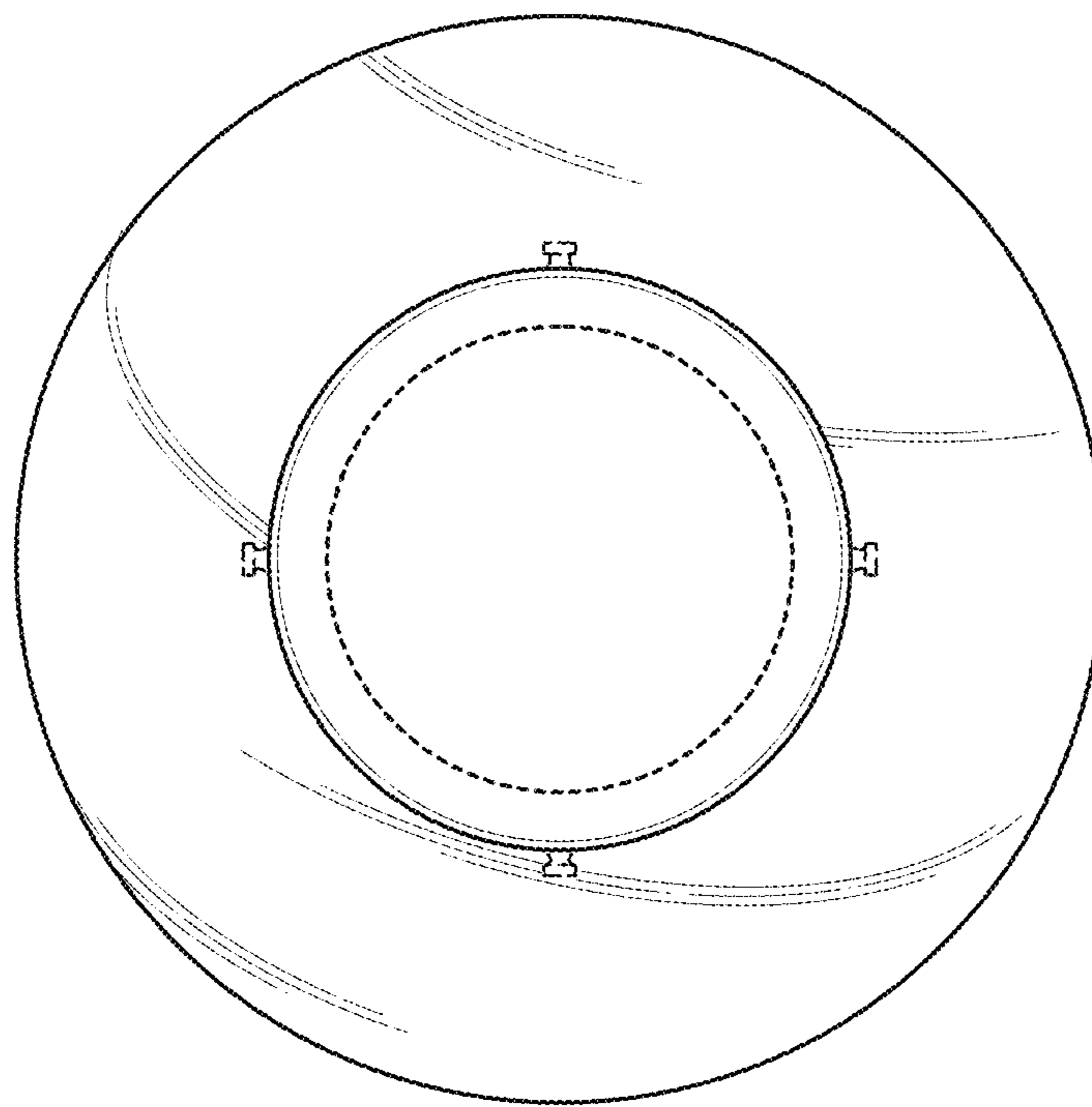


FIG. 6

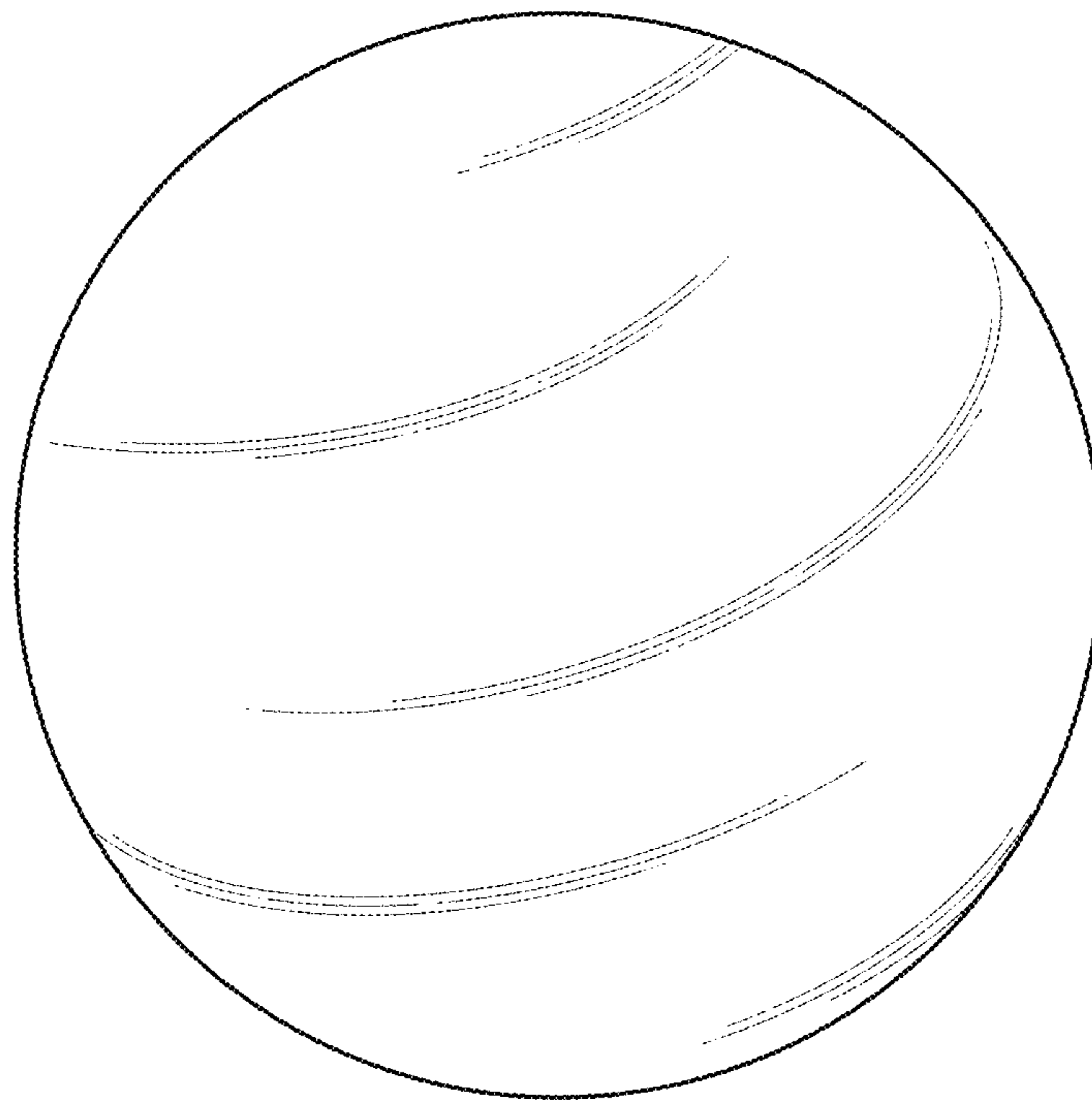


FIG. 7