



US00D825091S

(12) **United States Design Patent** (10) **Patent No.:** **US D825,091 S**
Carraher et al. (45) **Date of Patent:** **** Aug. 7, 2018**

(54) **LIGHTING FIXTURE**

(71) Applicant: **U.S. POLE COMPANY, INC.**,
Palmdale, CA (US)

(72) Inventors: **Timothy Carraher**, Palmdale, CA
(US); **Wayne Compton**, Prescott, AZ
(US)

(73) Assignee: **U.S. Pole Company, Inc.**, Palmdale,
CA (US)

(**) Term: **15 Years**

(21) Appl. No.: **29/568,698**

(22) Filed: **Jun. 20, 2016**

(51) **LOC (11) Cl.** **26-05**

(52) **U.S. Cl.**
USPC **D26/85**; D26/92

(58) **Field of Classification Search**
USPC D26/67-72, 85, 92
CPC .. F21S 8/033; F21S 8/036; F21S 8/085; F21S
8/086; F21S 8/088; F21W 2111/02;
F21W 2111/023; F21W 2131/101; F21W
2131/103; F21W 2131/1005; F21W
2131/107; F21V 29/503; F21V 29/745;
F21V 29/75; F21V 29/76; F21V 29/763;
F21V 29/767; F21V 29/77; F21V 29/78
See application file for complete search history.

(56) **References Cited**

U.S. PATENT DOCUMENTS

D209,081 S	10/1967	Netland	
D301,756 S *	6/1989	Hanson	D26/68
D308,261 S *	5/1990	Shemitz	D26/87
D313,482 S	1/1991	Compton	
5,918,970 A *	7/1999	Brohard	F21S 8/086 362/370
6,060,658 A *	5/2000	Yoshida	F21S 8/086 136/243
D500,569 S *	1/2005	Butler	D26/67

D568,521 S *	5/2008	Compton	D26/71
D568,532 S *	5/2008	Compton	D26/155
D599,942 S	9/2009	Zheng	
D600,848 S	9/2009	Wung et al.	

(Continued)

Primary Examiner — Clare E Heflin

(74) *Attorney, Agent, or Firm* — Lewis Roca Rothgerber
Christie LLP

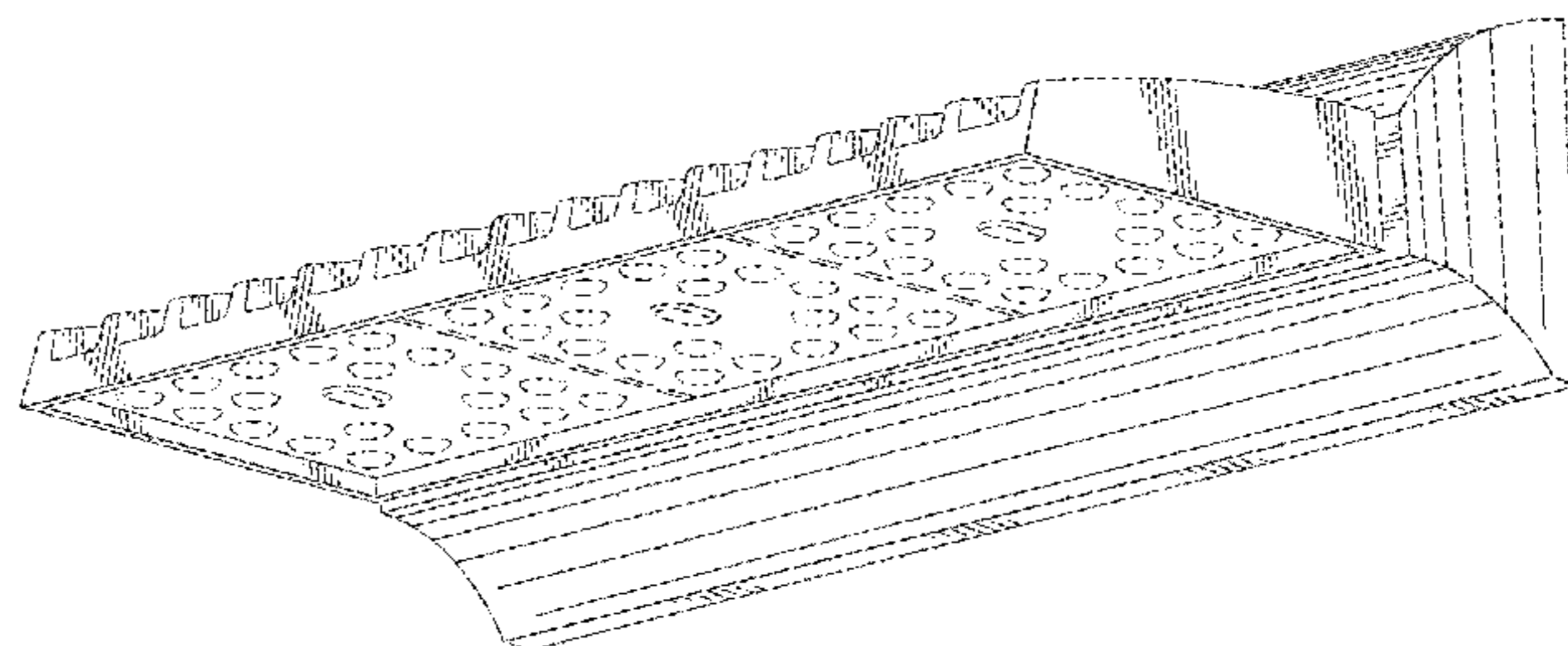
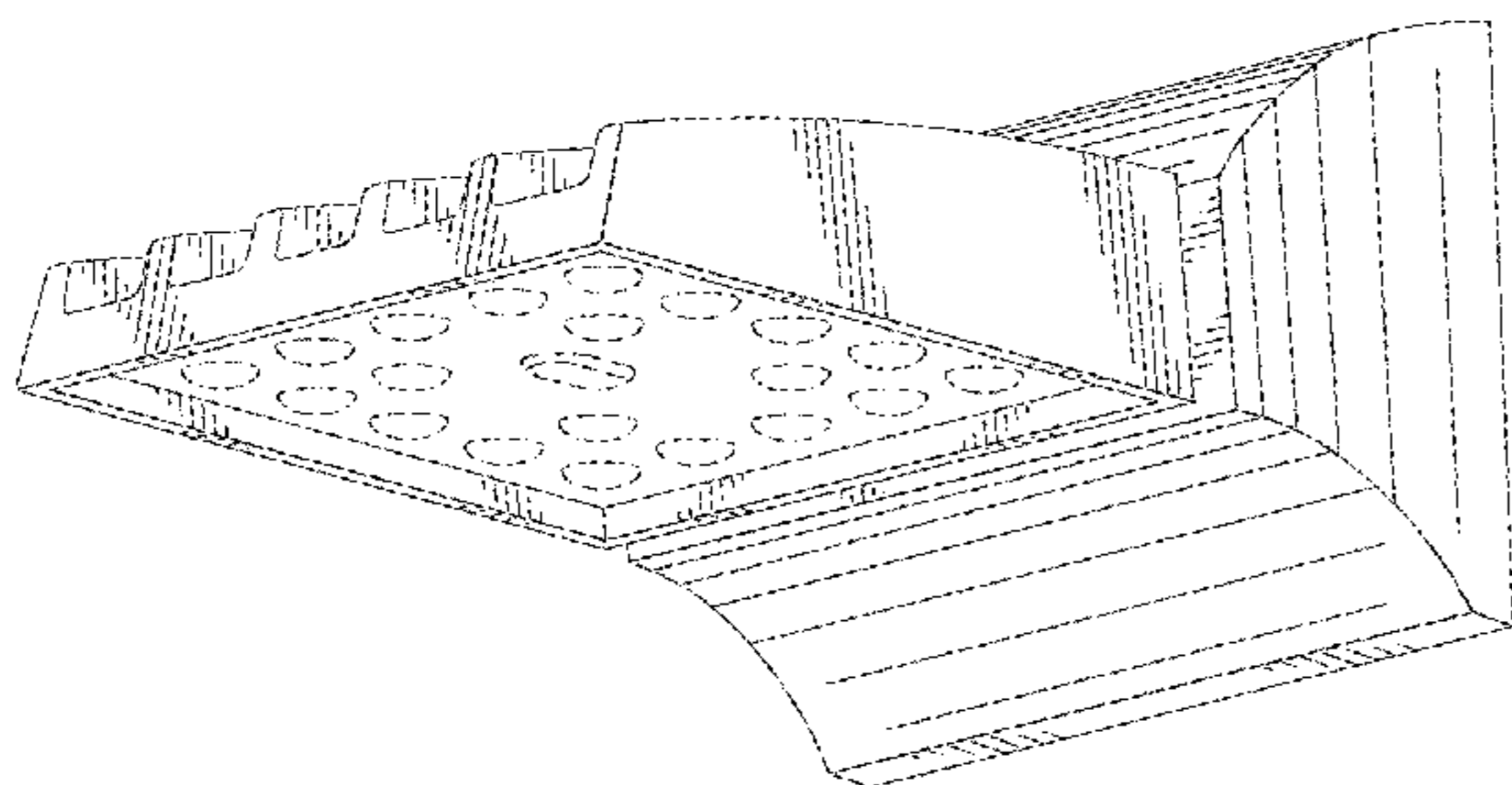
(57) **CLAIM**

The ornamental design for the lighting fixture, as shown and described.

DESCRIPTION

FIG. 1 is a perspective view of a first embodiment of the design;
FIG. 2 is a top view of the embodiment of FIG. 1;
FIG. 3 is a side view of the embodiment of FIG. 1;
FIG. 4 is a bottom view of the embodiment of FIG. 1;
FIG. 5 is a front view of the embodiment of FIG. 1; and
FIG. 6 is a rear view of the embodiment of FIG. 1.
FIG. 7 is a perspective view of a second embodiment of the design;
FIG. 8 is a top view of the embodiment of FIG. 7;
FIG. 9 is a side view of the embodiment of FIG. 7;
FIG. 10 is a bottom view of the embodiment of FIG. 7;
FIG. 11 is a front view of the embodiment of FIG. 7;
FIG. 12 is a rear view of the embodiment of FIG. 7.
FIG. 13 is a perspective view of a third embodiment of the design;
FIG. 14 is a top view of the embodiment of FIG. 13;
FIG. 15 is a side view of the embodiment of FIG. 13;
FIG. 16 is a bottom view of the embodiment of FIG. 13;
FIG. 17 is a front view of the embodiment of FIG. 13; and,
FIG. 18 is a rear view of the embodiment of FIG. 13.
The broken lines shown on the drawings depict portions of the lighting fixture that form no part of the claimed design.

1 Claim, 14 Drawing Sheets



(56)

References Cited

U.S. PATENT DOCUMENTS

D601,738 S 10/2009 Schneider
 D615,689 S 5/2010 Guercio
 D621,988 S 8/2010 Zheng et al.
 7,841,755 B1 11/2010 Walker
 D634,878 S * 3/2011 Guercio D26/71
 D636,920 S 4/2011 Boissevain
 D652,978 S 1/2012 Boissevain et al.
 D660,496 S 5/2012 Akdag et al.
 D672,492 S 12/2012 Butler et al.
 D672,903 S * 12/2012 Toney, Jr. D26/85
 D674,950 S 1/2013 Lueken et al.
 D676,589 S 2/2013 Elam
 D677,419 S * 3/2013 Sauvage D26/85
 D694,935 S 12/2013 Zheng et al.
 D700,730 S 3/2014 Behar et al.
 D726,947 S 4/2015 Boyer et al.
 D744,684 S * 12/2015 Guercio D26/63
 D747,527 S 1/2016 Guercio et al.

D749,256 S 2/2016 Compton
 D768,904 S * 10/2016 Ahrari D26/71
 D782,720 S * 3/2017 Moghal D26/67
 D796,719 S * 9/2017 Zhu D26/63
 2009/0244881 A1 * 10/2009 Butler F21S 8/086
 362/20
 2010/0238671 A1 9/2010 Catone et al.
 2011/0013397 A1 1/2011 Catone et al.
 2011/0084629 A1 4/2011 Pini
 2013/0343045 A1 12/2013 Lodhie et al.
 2014/0254156 A1 9/2014 Hsu et al.
 2015/0023020 A1 1/2015 Gattari
 2015/0292723 A1 * 10/2015 Yu F21V 29/76
 362/147
 2015/0308667 A1 * 10/2015 Corkill F21S 8/033
 362/147
 2015/0345772 A1 12/2015 Duckworth et al.
 2017/0299131 A1 * 10/2017 Wassel F21S 2/005
 2017/0307149 A1 * 10/2017 Clark F21S 2/005

* cited by examiner

FIG. 1

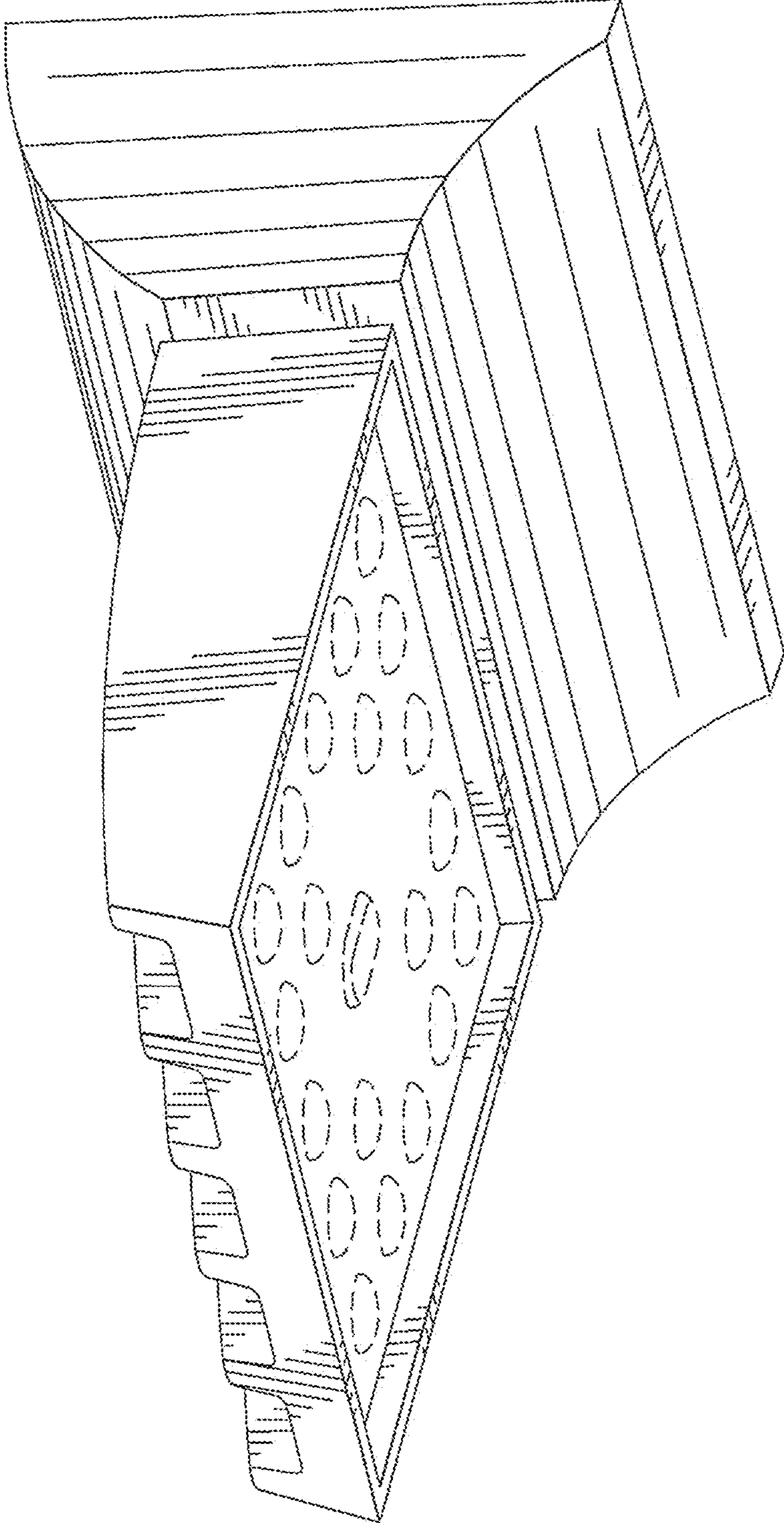


FIG. 2

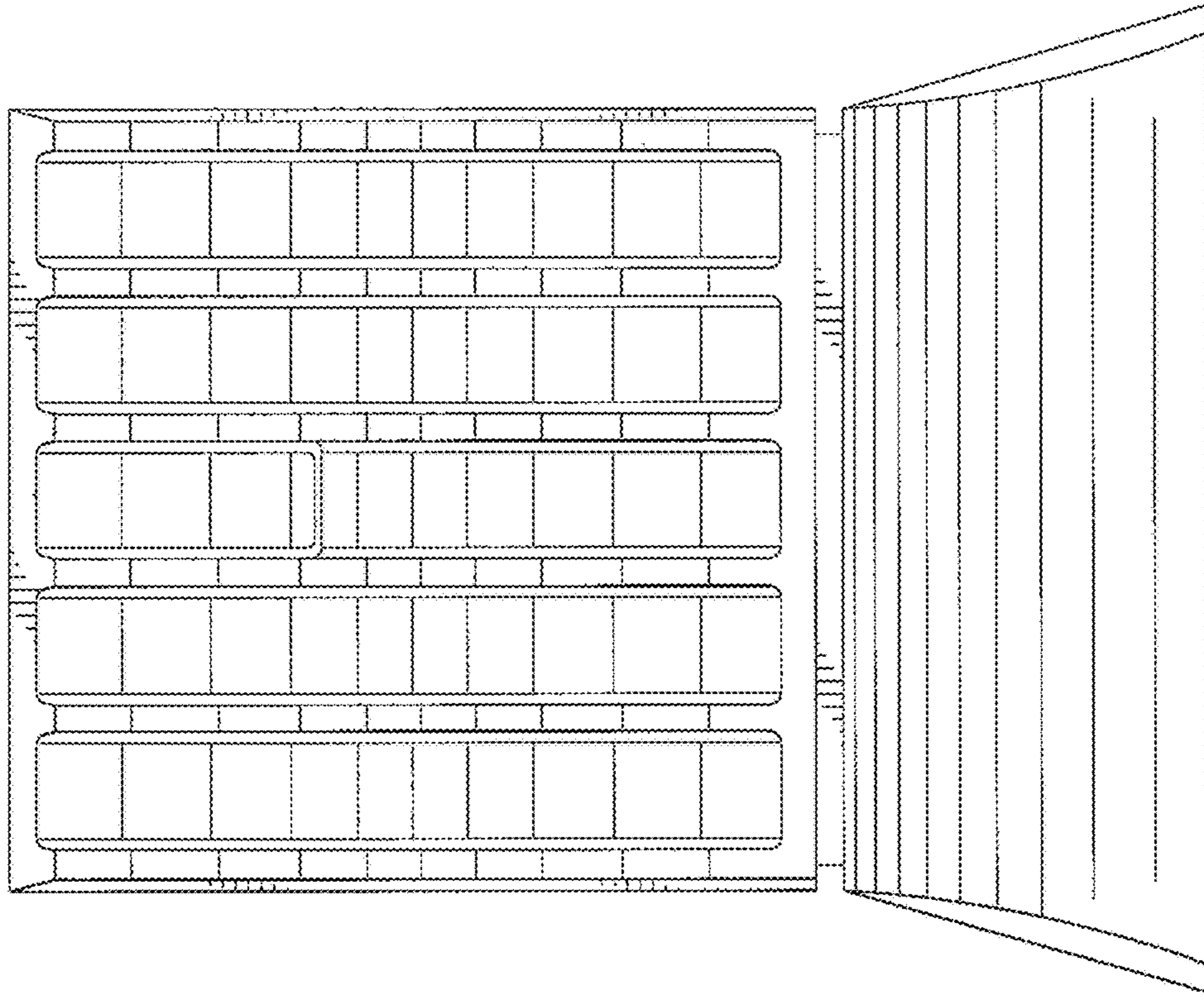


FIG. 3

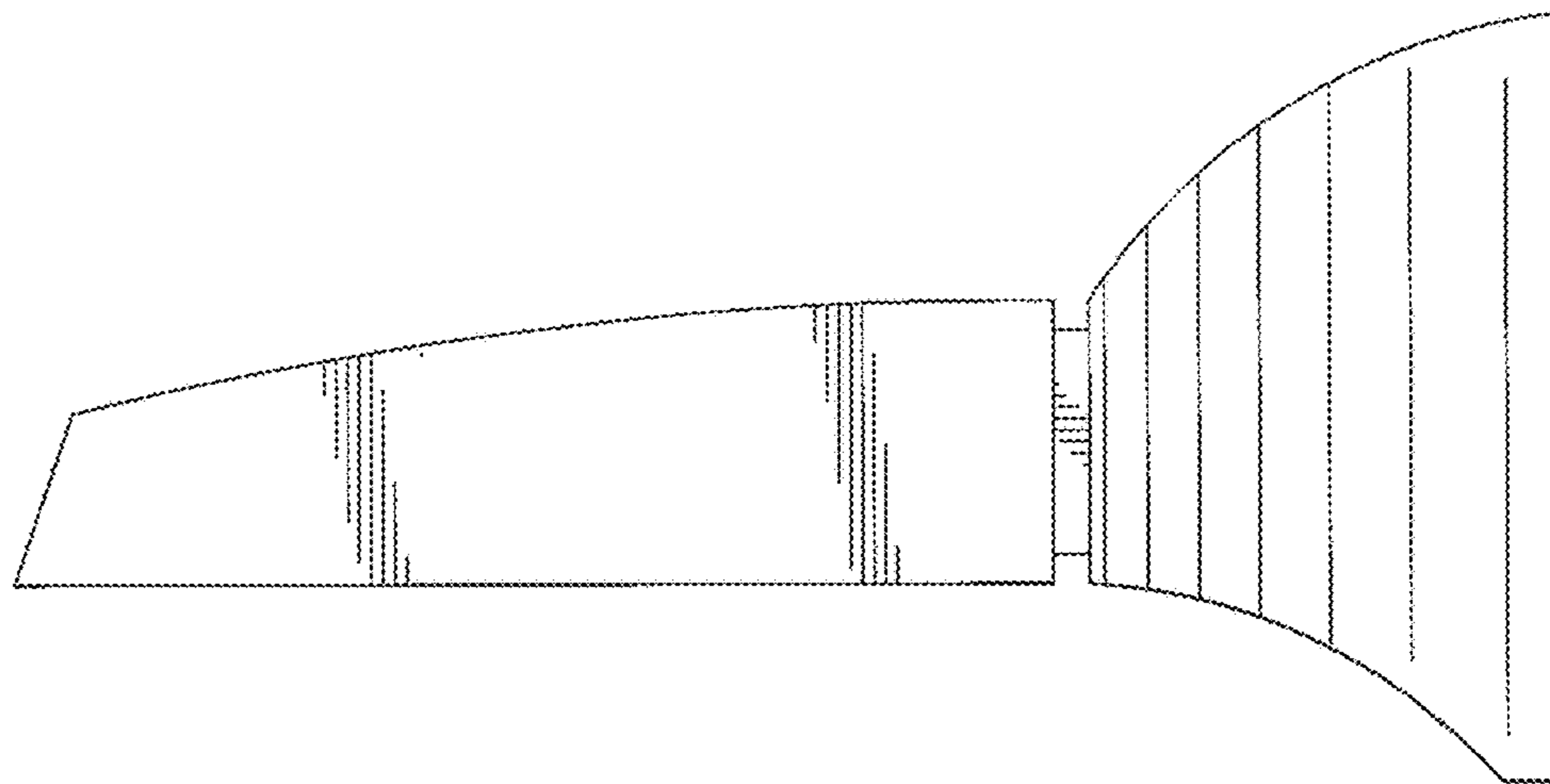


FIG. 4

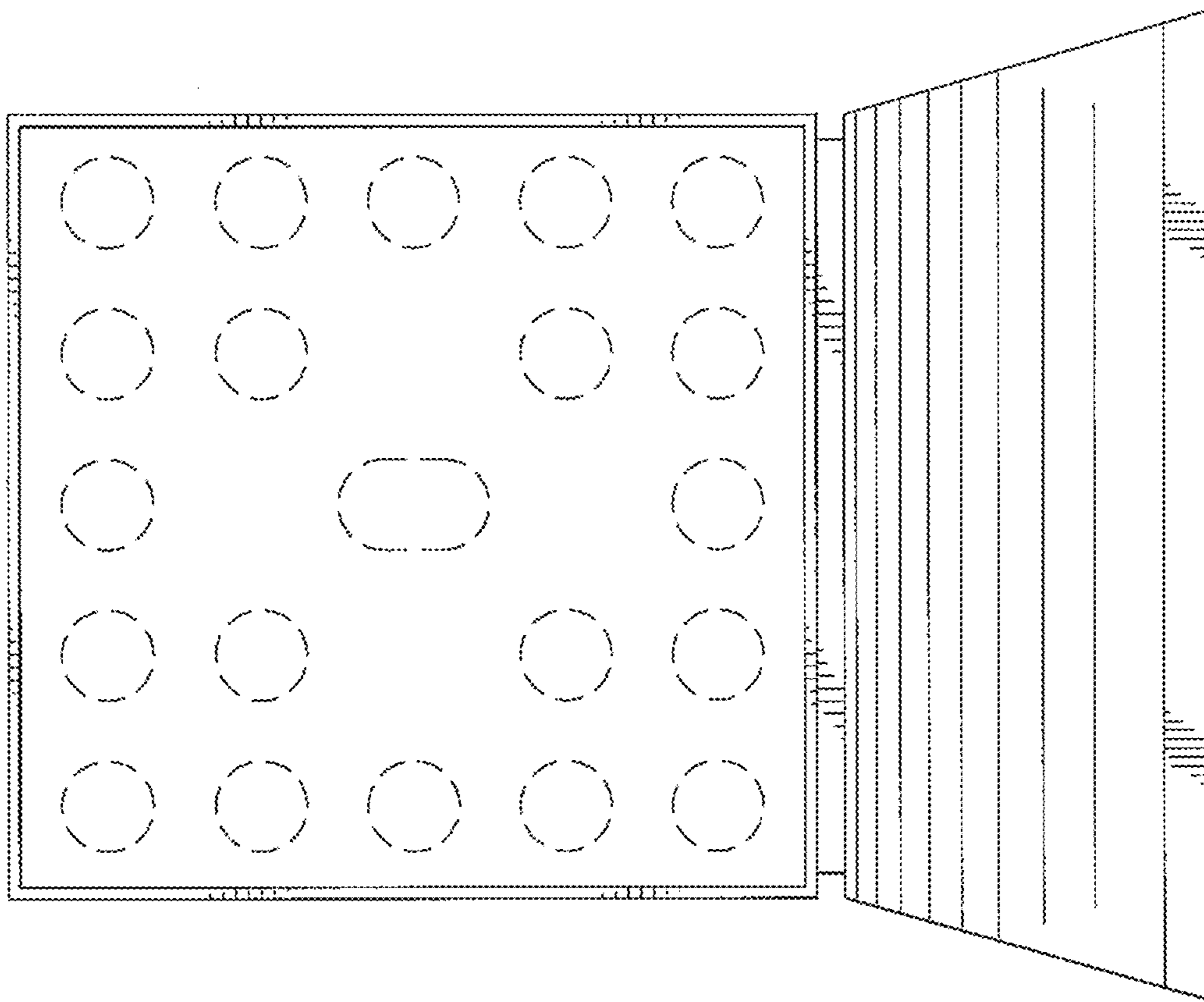


FIG. 5

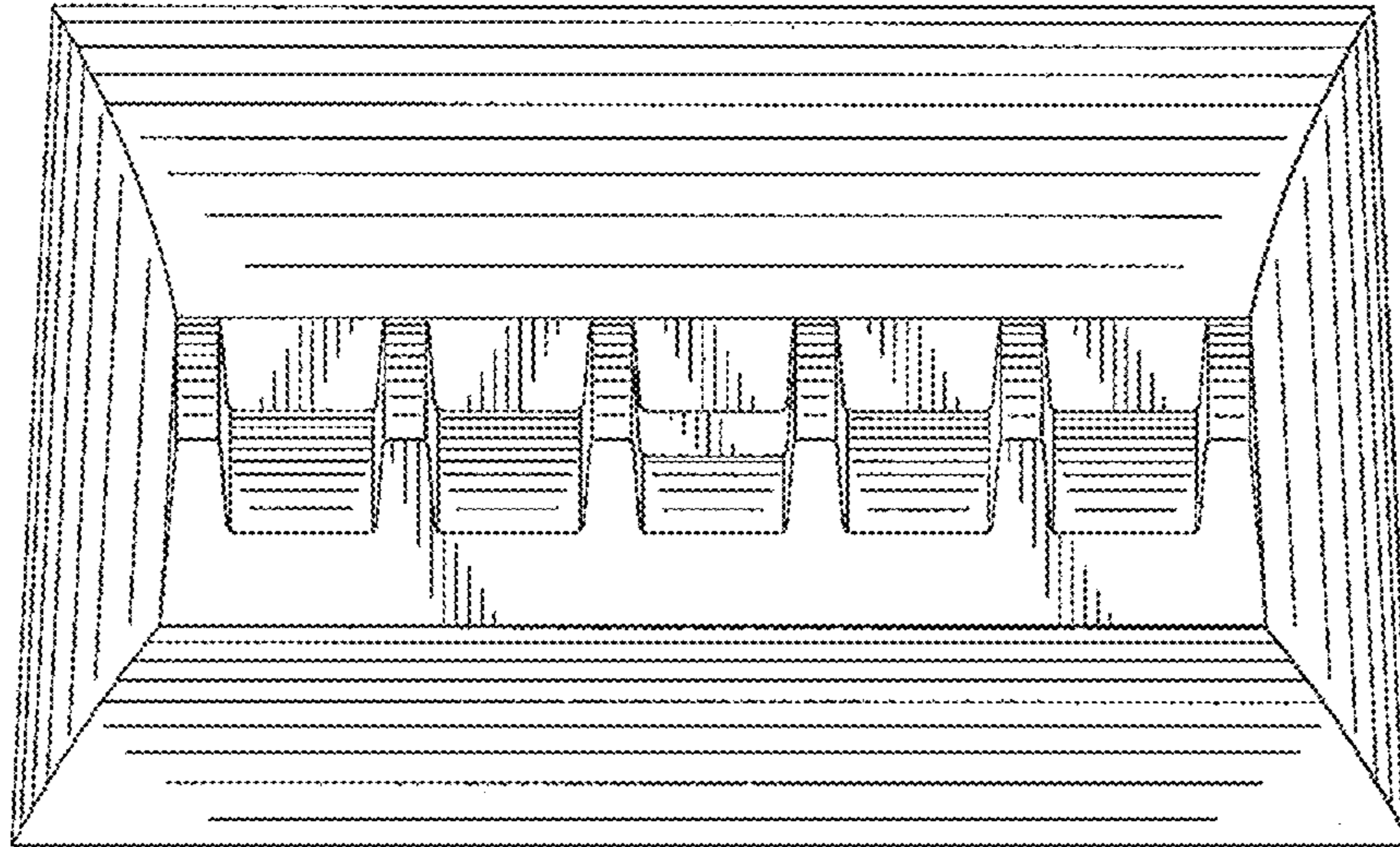


FIG. 6

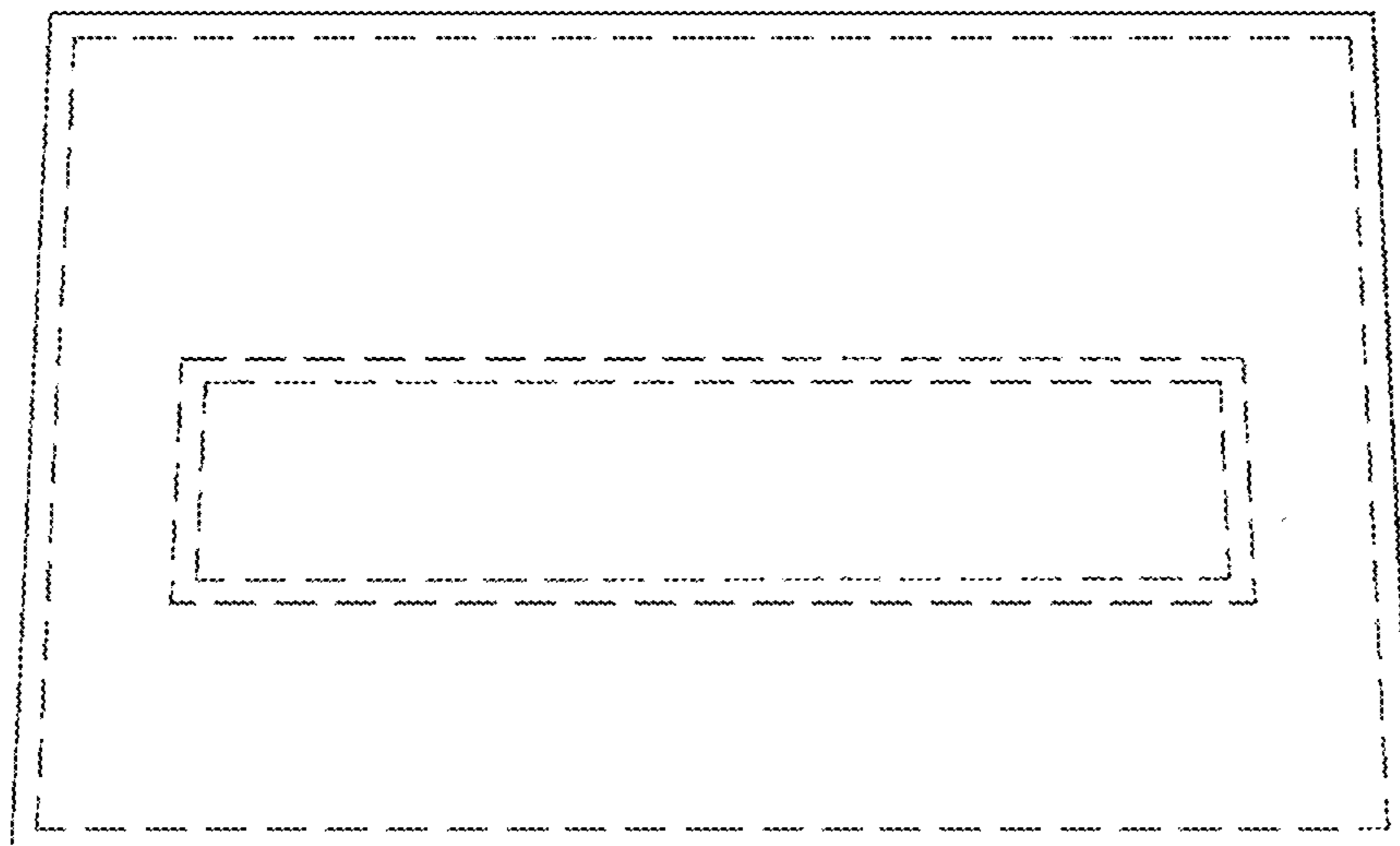


FIG. 7

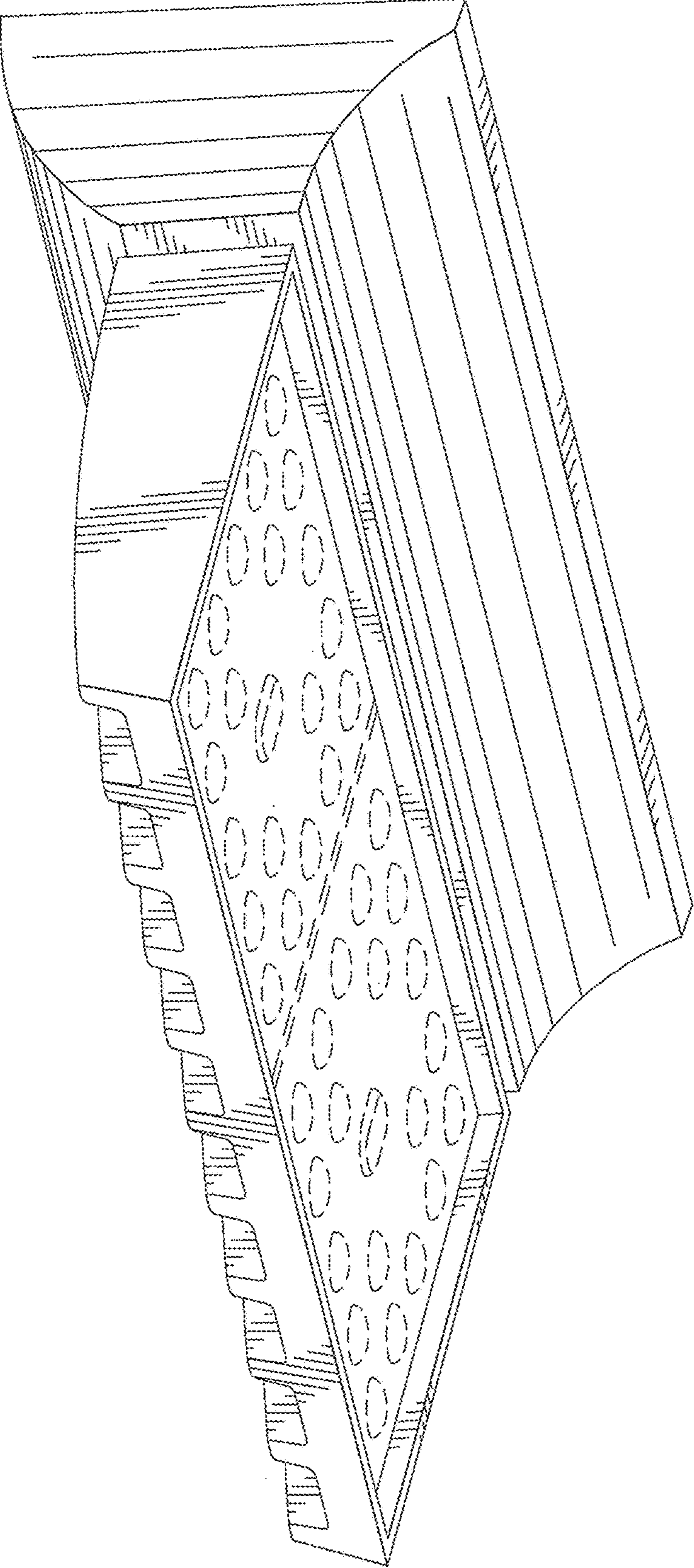


FIG. 8

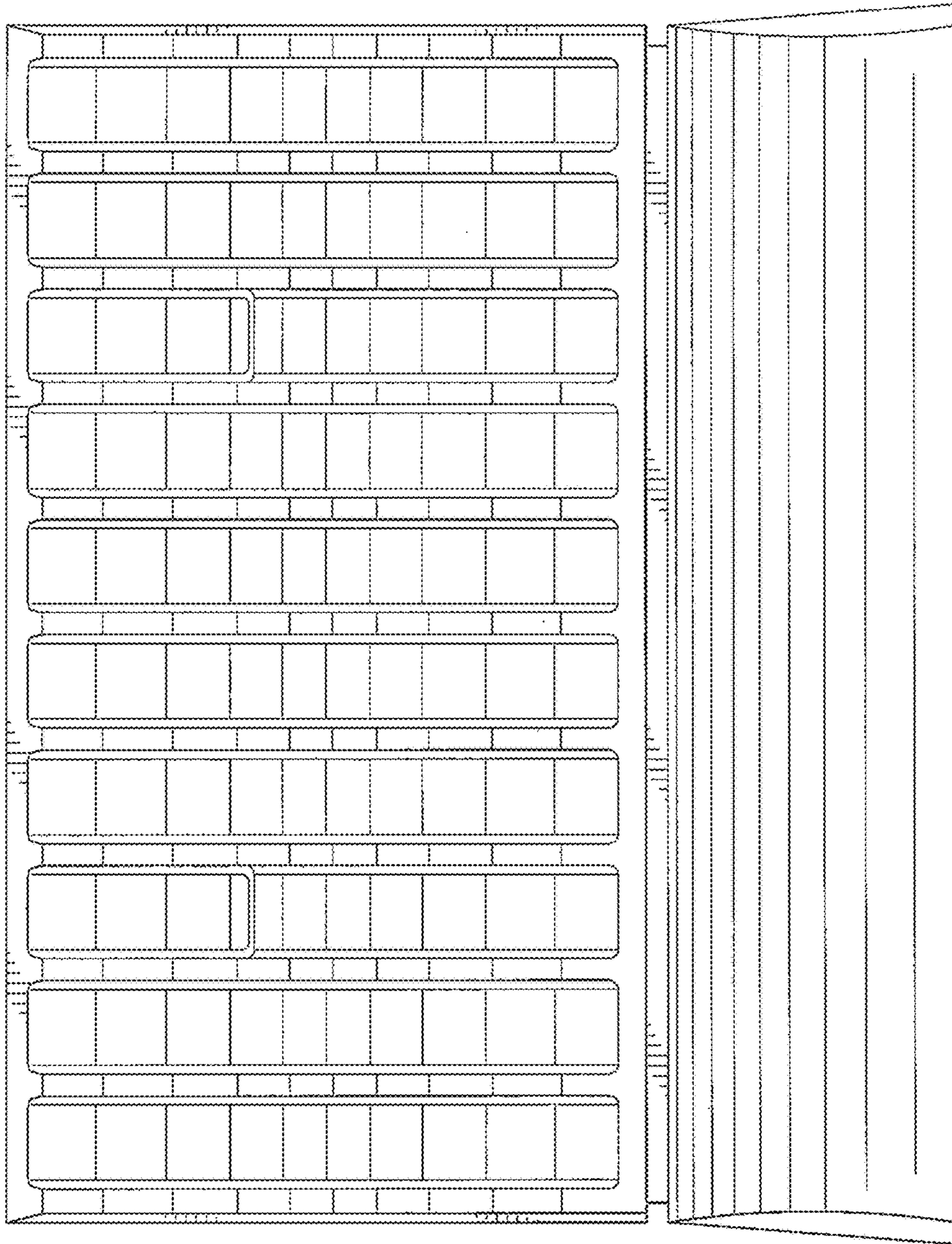


FIG. 9

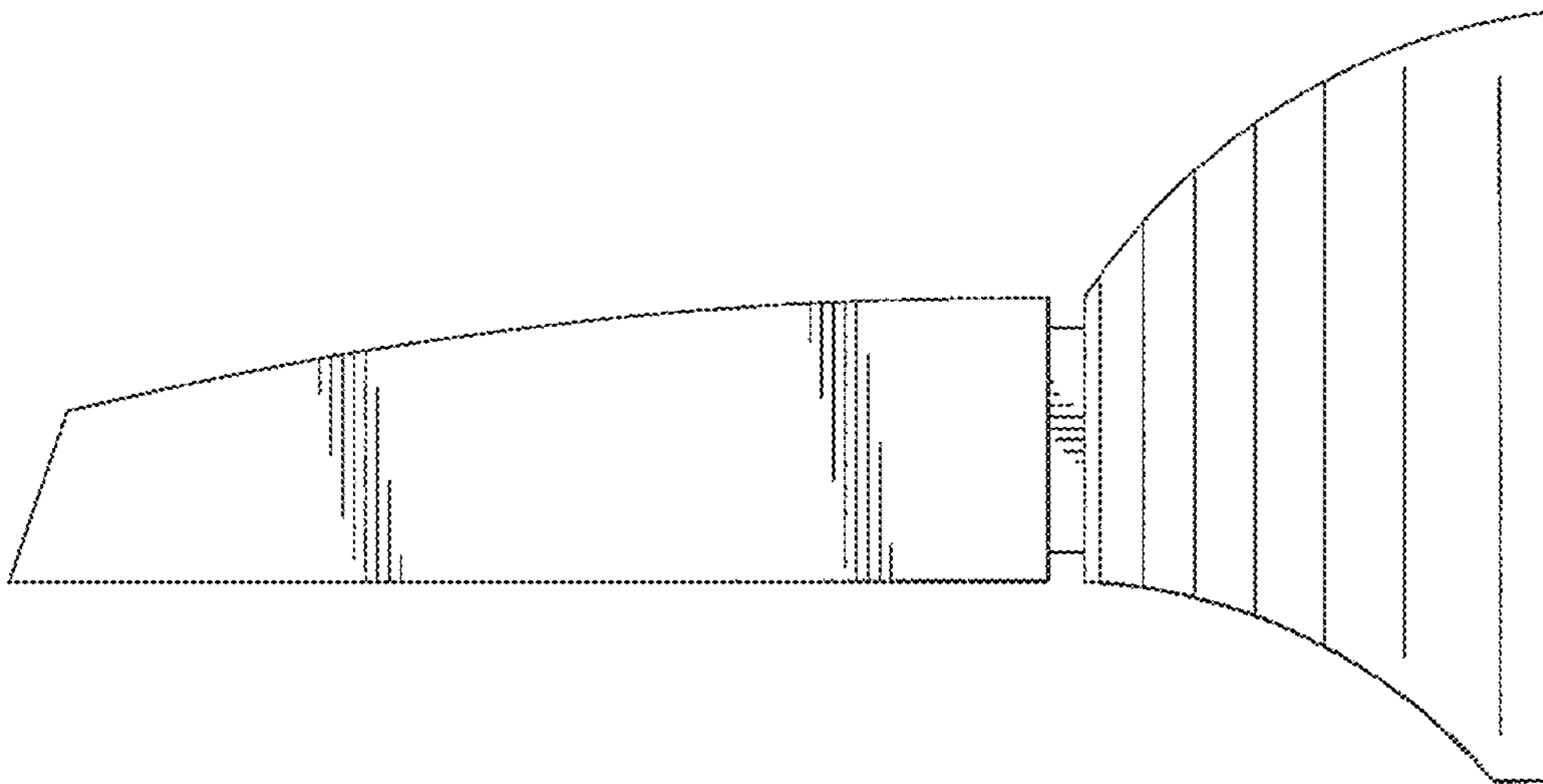


FIG. 10

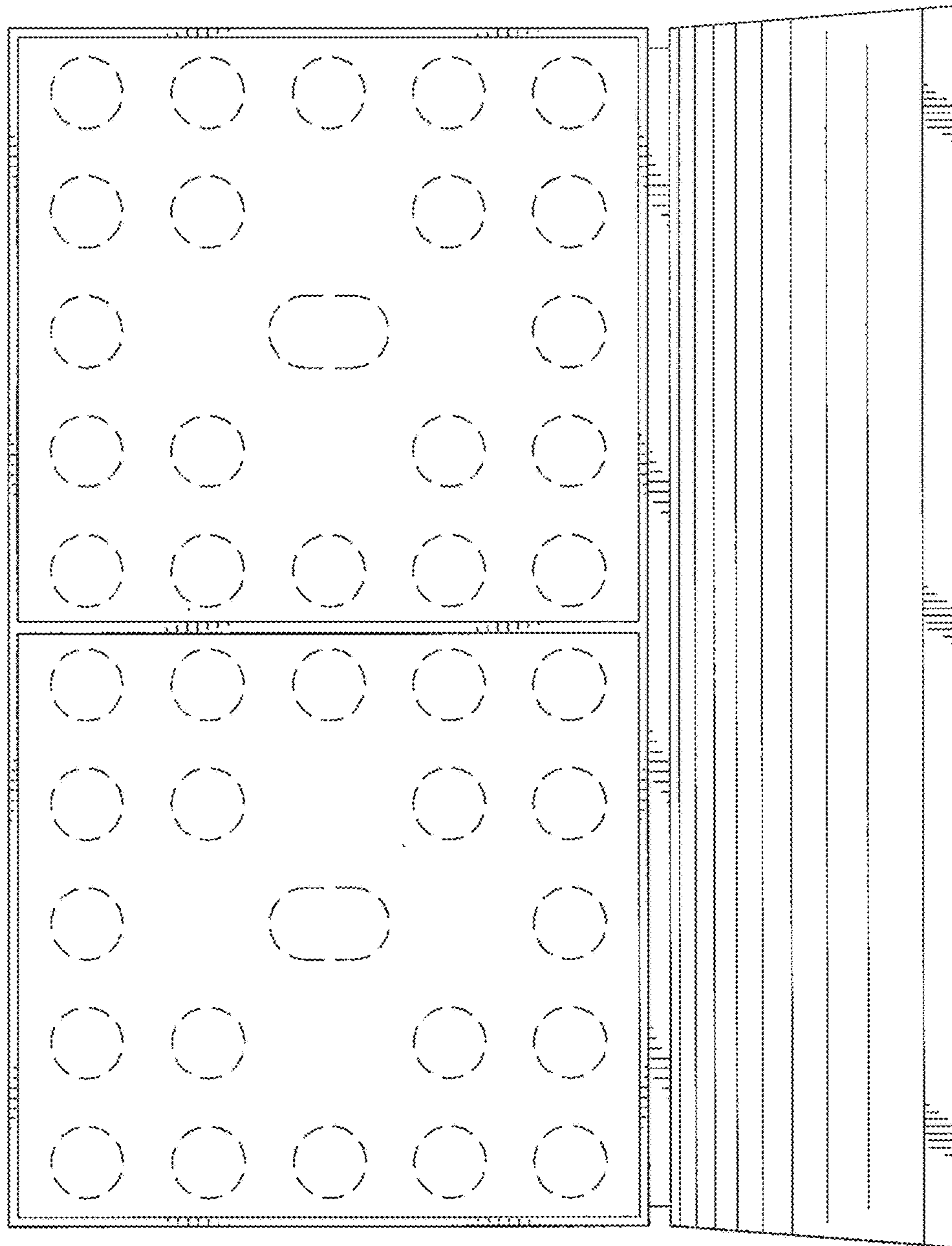


FIG. 11

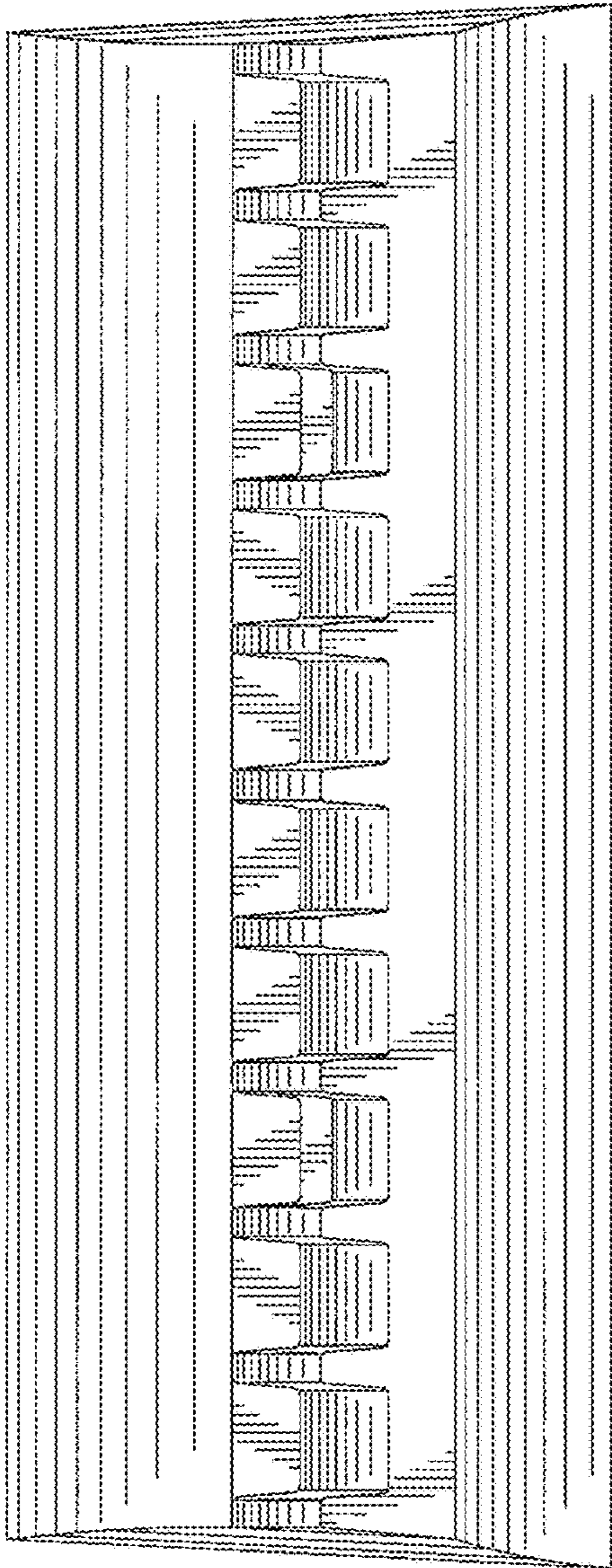


FIG. 12

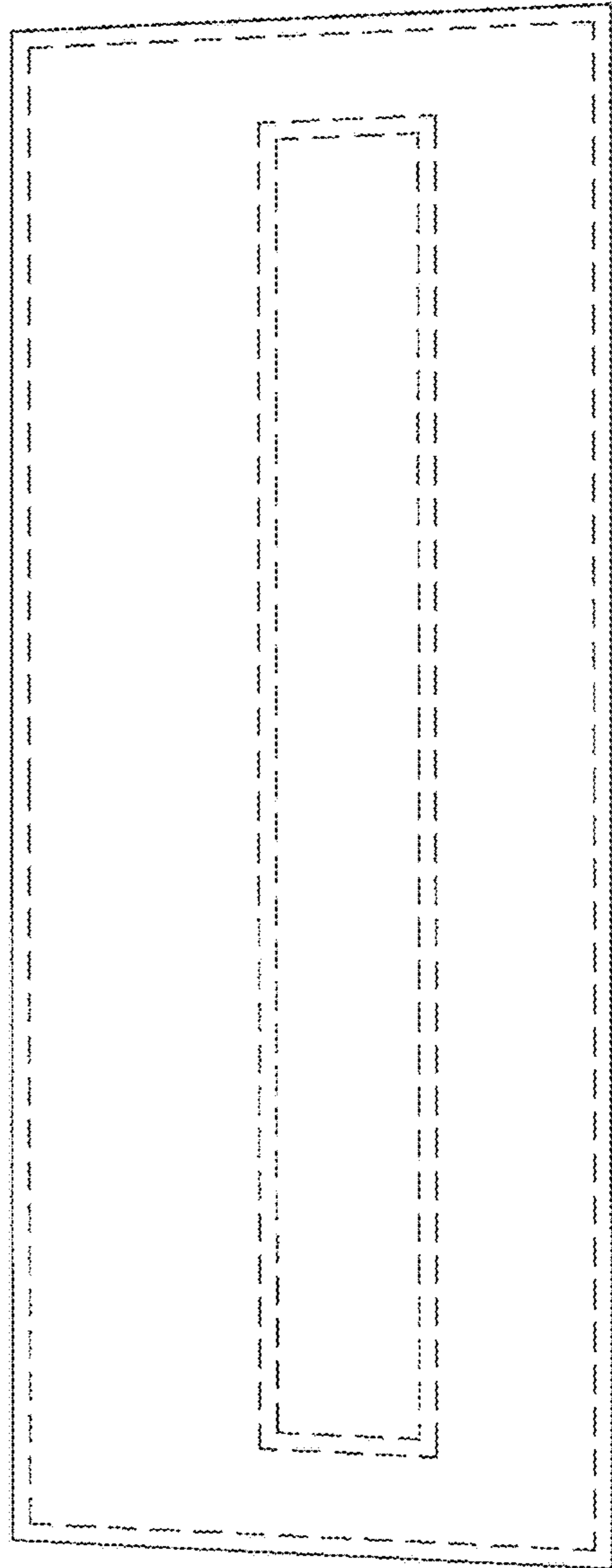


FIG. 13

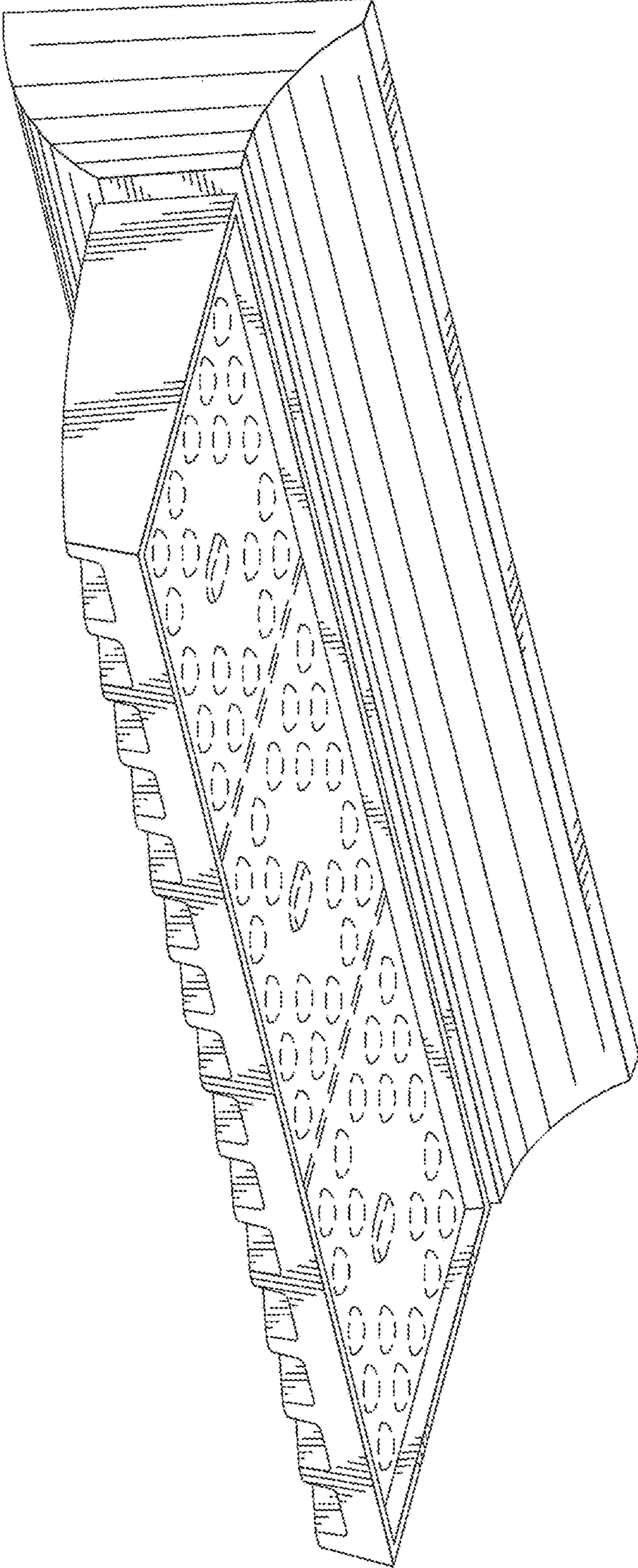


FIG. 14

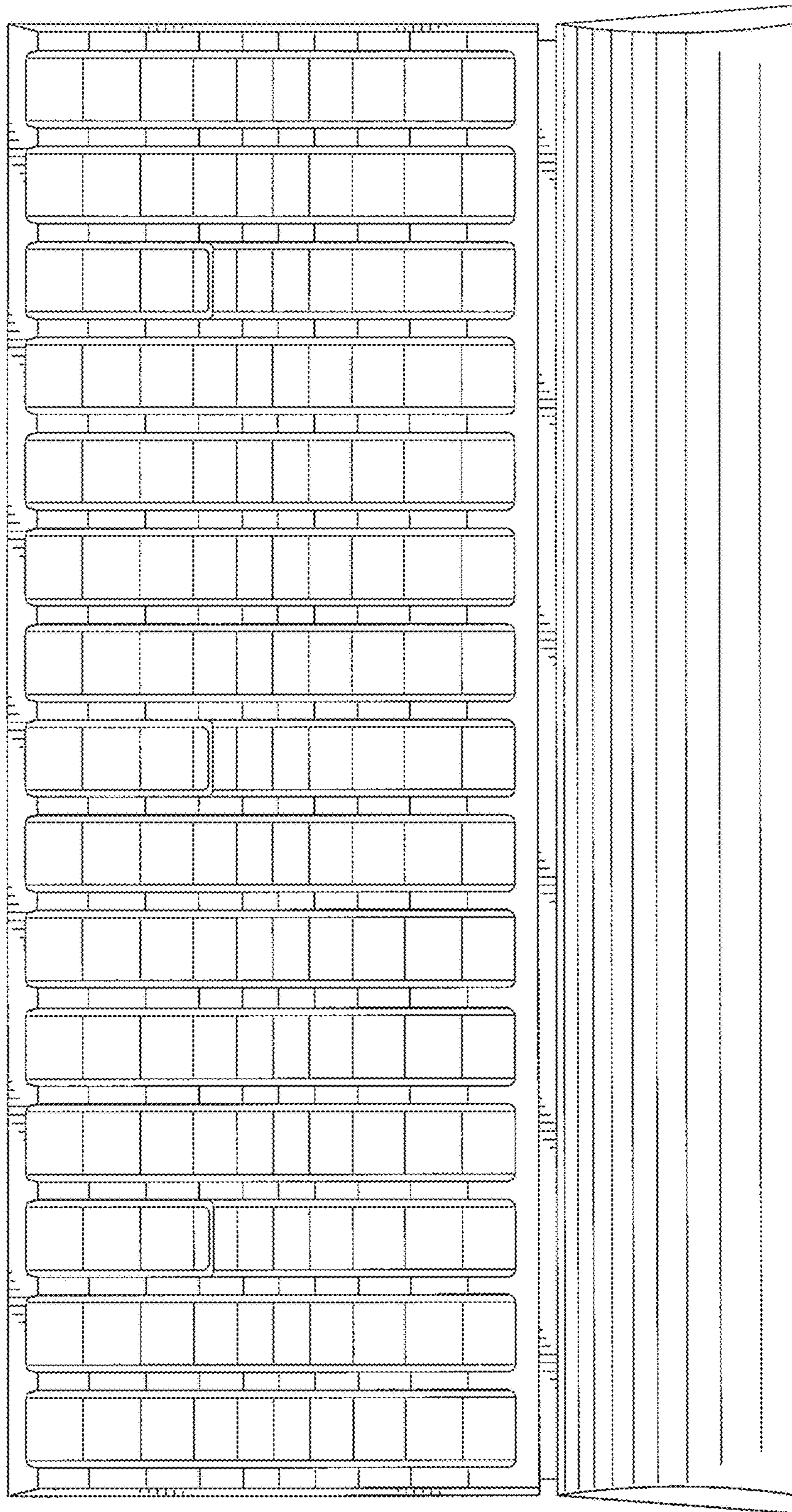


FIG. 15

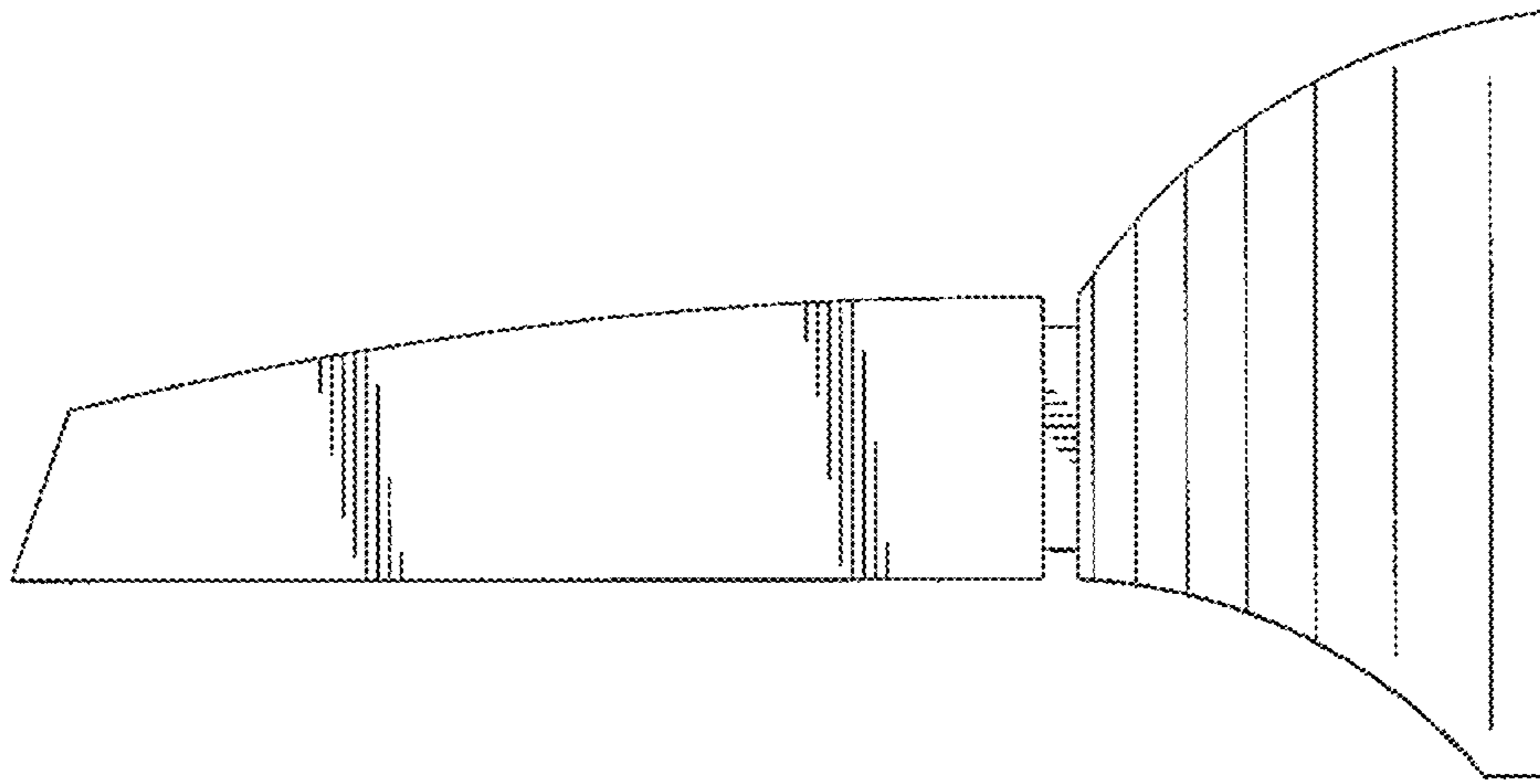


FIG. 16

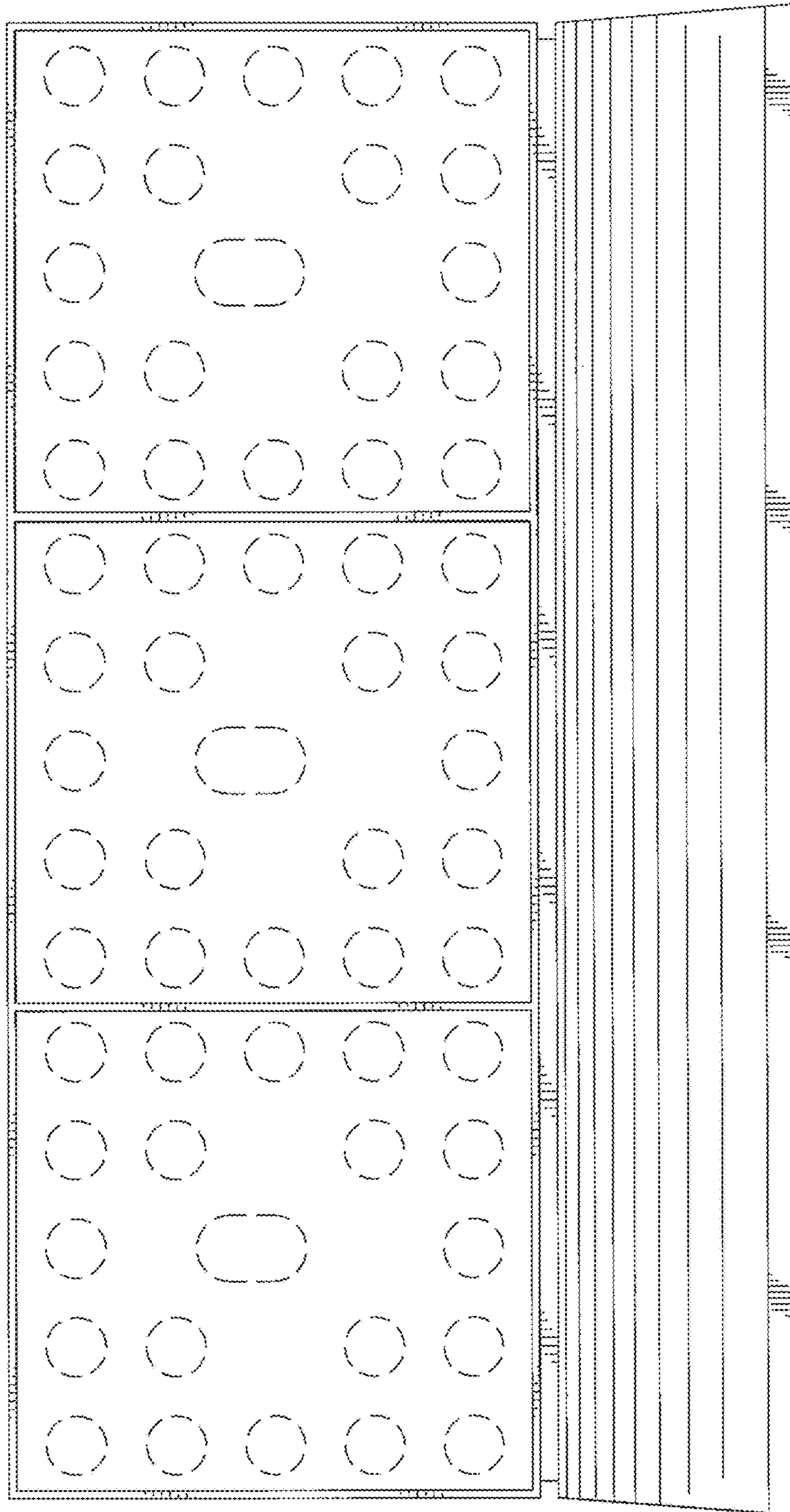


FIG. 17

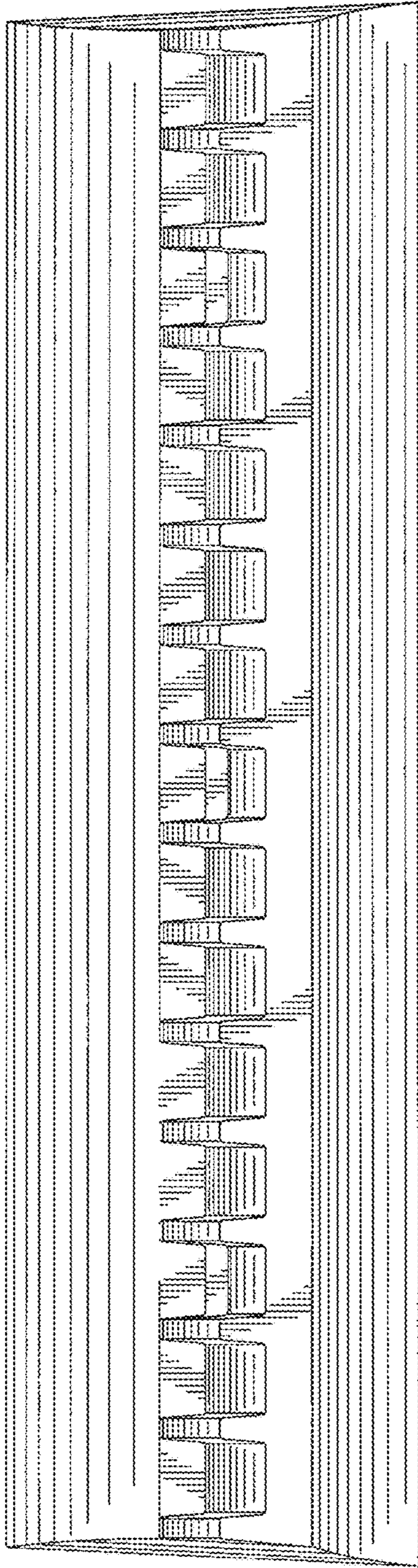


FIG. 18

