



US00D825087S

(12) **United States Design Patent** (10) **Patent No.:** **US D825,087 S**
Clark et al. (45) **Date of Patent:** **** *Aug. 7, 2018**

(54) **LIGHTING FIXTURE**
(71) Applicant: **Hubbell Incorporated**, Shelton, CT (US)
(72) Inventors: **Adam J. Clark**, Bradenton, FL (US);
Perry Romano, Brandenton, FL (US);
Armin Ahrari, Chino, CA (US);
Michael D. Toth, Miami Beach, FL (US)

D615,233 S 5/2010 Josefowicz
D615,689 S * 5/2010 Guercio D26/69
7,726,851 B2 6/2010 Shuai
7,766,513 B2 8/2010 Roland
D630,790 S * 1/2011 Josefowicz D26/71
D653,377 S 1/2012 Guercio
D667,586 S * 9/2012 Wilcox F21V 19/0055
D26/85
D668,370 S 10/2012 Guercio
(Continued)

(73) Assignee: **HUBBELL INCORPORATED**, Shelton, CT (US)

FOREIGN PATENT DOCUMENTS

EP 2327930 6/2011

(*) Notice: This patent is subject to a terminal disclaimer.

OTHER PUBLICATIONS

Matrix Lighting by Hubbell Lighting (available online May 9, 2016)
Retrieved from the internet Feb. 22, 2018, retrieved from URL:
http://www.archlighting.com/manufacturer/matrix-lighting.*

(**) Term: **15 Years**

(Continued)

(21) Appl. No.: **29/602,990**

(22) Filed: **May 5, 2017**

Primary Examiner — Kevin K Rudzinski

Assistant Examiner — Richard Kearney

(51) **LOC (11) Cl.** **26-05**

(74) *Attorney, Agent, or Firm* — Dority & Manning, P.A.

(52) **U.S. Cl.**
USPC **D26/71**

(57) **CLAIM**

(58) **Field of Classification Search**
USPC D10/111–115; D26/67–85, 92; D29/103
CPC .. F21S 8/033; F21S 8/036; F21S 8/043; F21S 8/081; F21S 8/085; F21S 8/086; F21S 8/088; F21V 29/74; F21V 29/75; F21V 29/83; F21V 29/507
See application file for complete search history.

The ornamental design for a lighting fixture, as shown and described.

DESCRIPTION

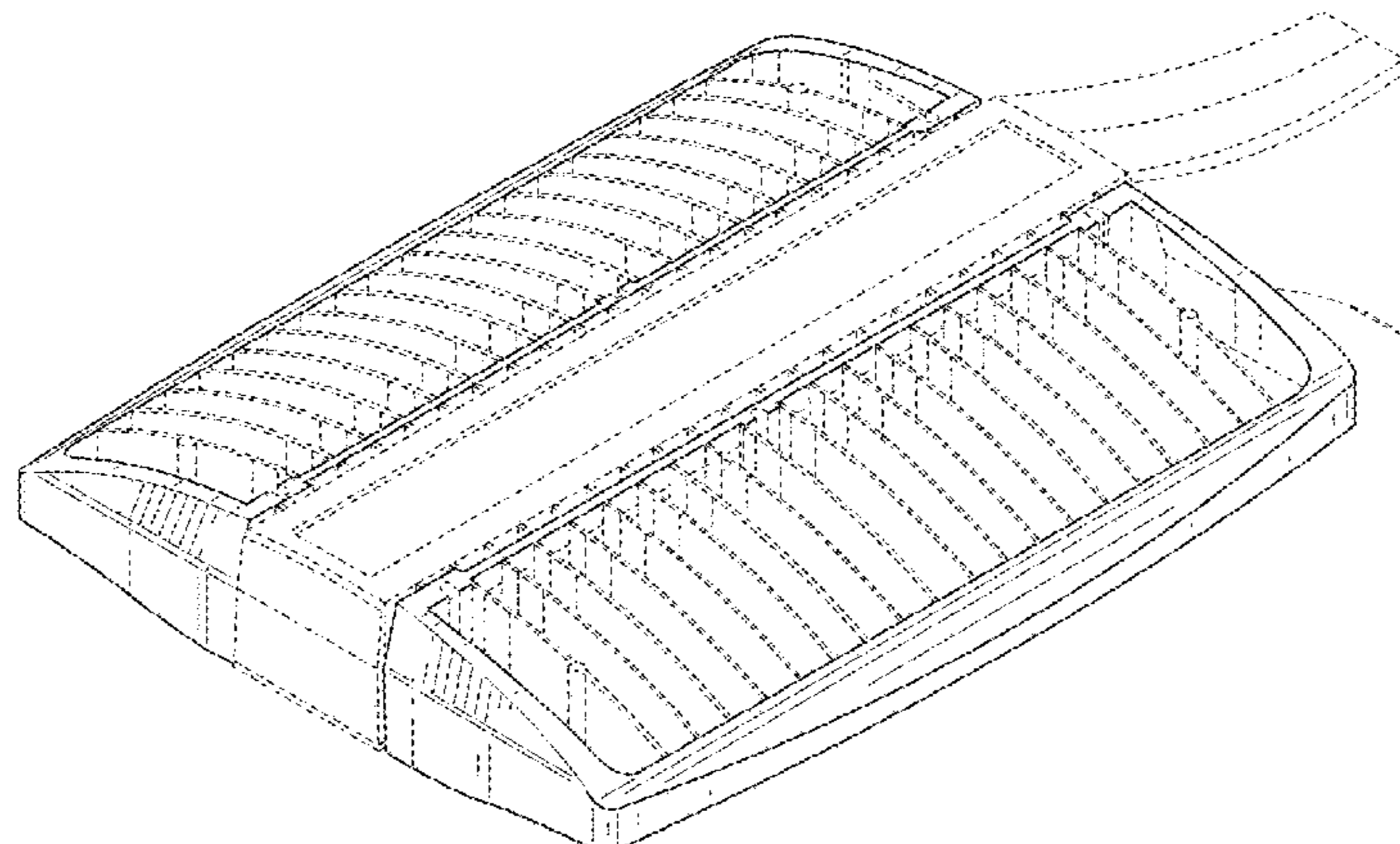
(56) **References Cited**

U.S. PATENT DOCUMENTS

D346,984 S * 5/1994 Hedgewick D10/113.1
D535,431 S 1/2007 Roland
D544,985 S 6/2007 Hargreaves
D562,491 S * 2/2008 DiCola D26/85
D577,146 S 9/2008 Haugaard
D584,444 S 1/2009 Lipson
D610,296 S 2/2010 Boissevain

FIG. 1 is a perspective view of a lighting fixture showing our new design;
FIG. 2 is a top plan view thereof;
FIG. 3 is a bottom plan view thereof;
FIG. 4 is a back view thereof;
FIG. 5 is a front view thereof;
FIG. 6 is a side elevation view thereof; and,
FIG. 7 is another side elevation view thereof.
The broken lines shown in the drawings illustrate environmental structure that forms no part of the claimed design.

1 Claim, 5 Drawing Sheets



(56)

References Cited

U.S. PATENT DOCUMENTS

D670,422 S 11/2012 Siekmann
 D672,903 S 12/2012 Toney
 D676,173 S 2/2013 Akinrele
 D676,174 S * 2/2013 Akinrele D26/71
 D678,099 S 3/2013 Lee
 8,430,532 B2 4/2013 Lee
 8,529,085 B2 9/2013 Josefowicz
 D691,320 S 10/2013 Guercio
 D721,844 S 1/2015 Lay
 9,028,096 B2 5/2015 Verdes
 D735,401 S 7/2015 Clements
 D739,068 S * 9/2015 Bryant D26/82
 D742,270 S 11/2015 Stein
 D743,081 S 11/2015 Bembridge
 D743,084 S 11/2015 Lay
 D748,320 S 1/2016 Johnson
 D748,847 S 2/2016 Johnson
 D748,850 S 2/2016 Johnson
 D750,831 S 3/2016 Clements
 D752,800 S 3/2016 Yu
 D753,863 S 4/2016 Bembridge
 D762,901 S * 8/2016 Boissevain D26/63
 D748,319 S 11/2016 Johnson
 D771,854 S 11/2016 Gordin
 D774,681 S 12/2016 Liang
 D781,482 S 3/2017 McCracken, Jr.
 D782,720 S * 3/2017 Moghal D26/67
 D783,436 S 4/2017 Goltche
 D783,881 S 4/2017 Hollander
 D784,586 S 4/2017 Gebhard

D788,966 S 6/2017 Gan
 D811,646 S * 2/2018 Clark D26/118
 D813,434 S * 3/2018 Clark D26/71
 2011/0194281 A1 8/2011 Josefowicz
 2014/0247590 A1 9/2014 Wilcox
 2015/0167936 A1 6/2015 Yong
 2015/0219329 A1* 8/2015 Kim F21S 8/086
 362/249.02
 2015/0276167 A1 10/2015 Torabifard
 2015/0292723 A1 10/2015 Yu
 2015/0308667 A1 10/2015 Corkill
 2016/0186980 A1 6/2016 Ladewig
 2017/0307149 A1* 10/2017 Clark F21S 2/005

OTHER PUBLICATIONS

Rab Lighting Pled2X10 Led Pendant (available online) Retrieved from the internet Feb. 22, 2018, retrieved from URL: <https://www.louielighting.com/rab-lighting-pled2x10-led-pendant-2x10w-by-rab-lighting.html>.*
 SG Sling (available online) Retrieved from the internet Jul. 17, 2017, retrieved from the internet URL: http://www.hubbelloutdoor.com/products/sg_sling.
 "KLUS Earns ETL Certification for Surface Mount LED Fixtures." May 20, 2015, klusdesign.com, site visited Apr. 18, 2017 <<http://www.klusdesign.com/blog/klus-earns-etl-certification-for-surface-mount-led-fixtures/>>.
 "14K Low Bay Light" Dec. 3, 2014, Abel Building Solutions, site visited Apr. 18, 2017 <<https://www.abel.co.tt/product/14k-low-bay-light/>>.

* cited by examiner

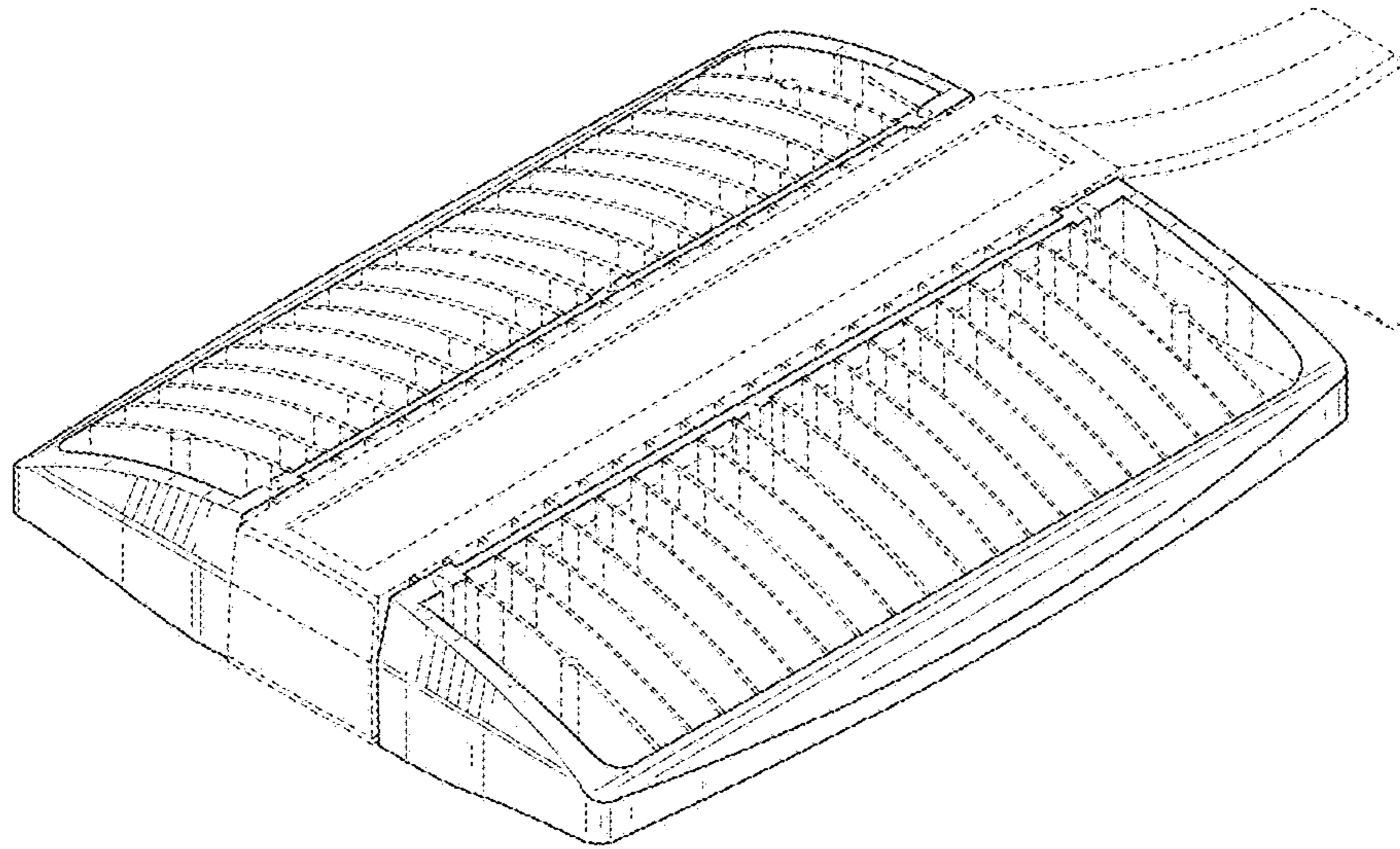


FIG. 1

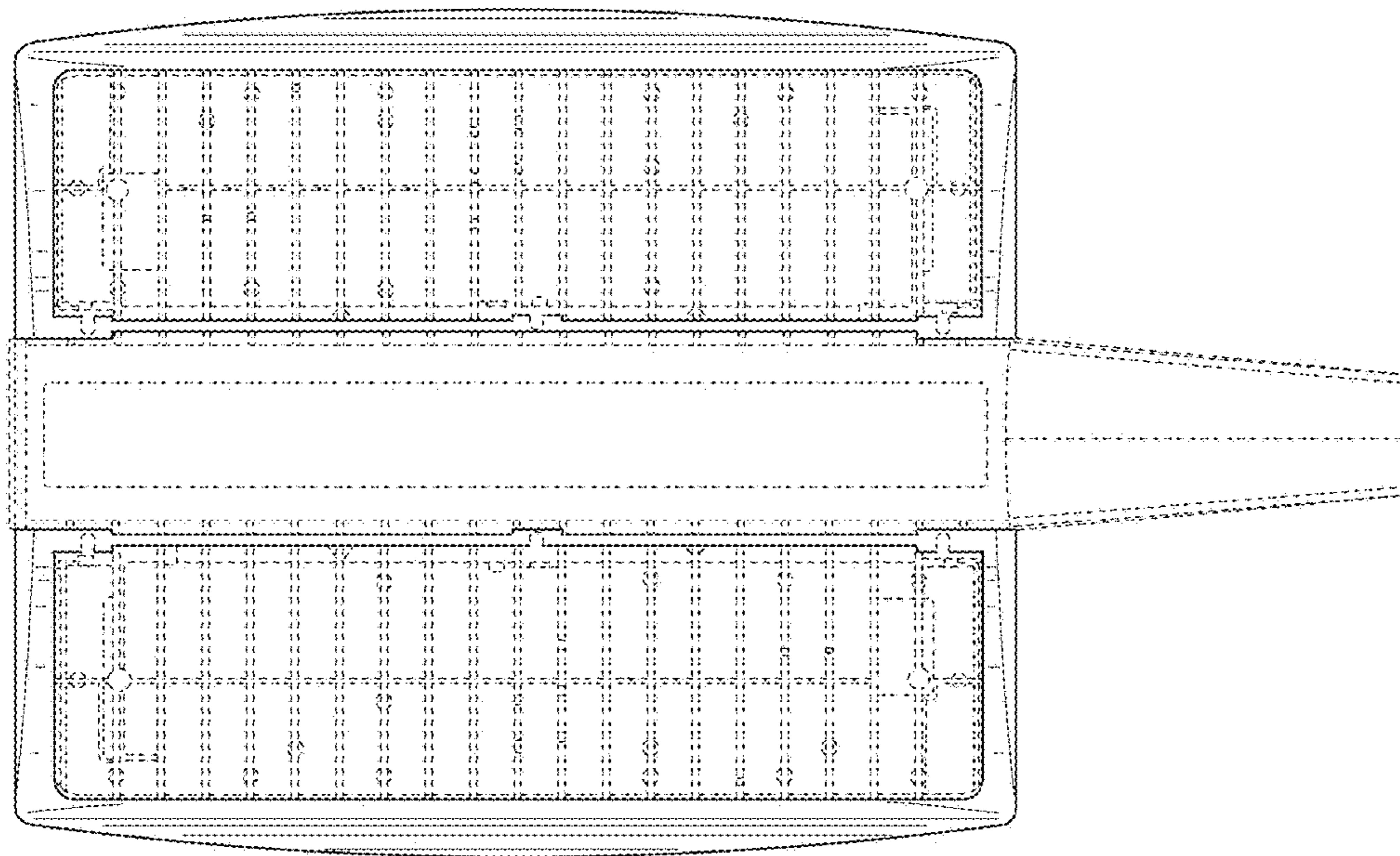


FIG. 2

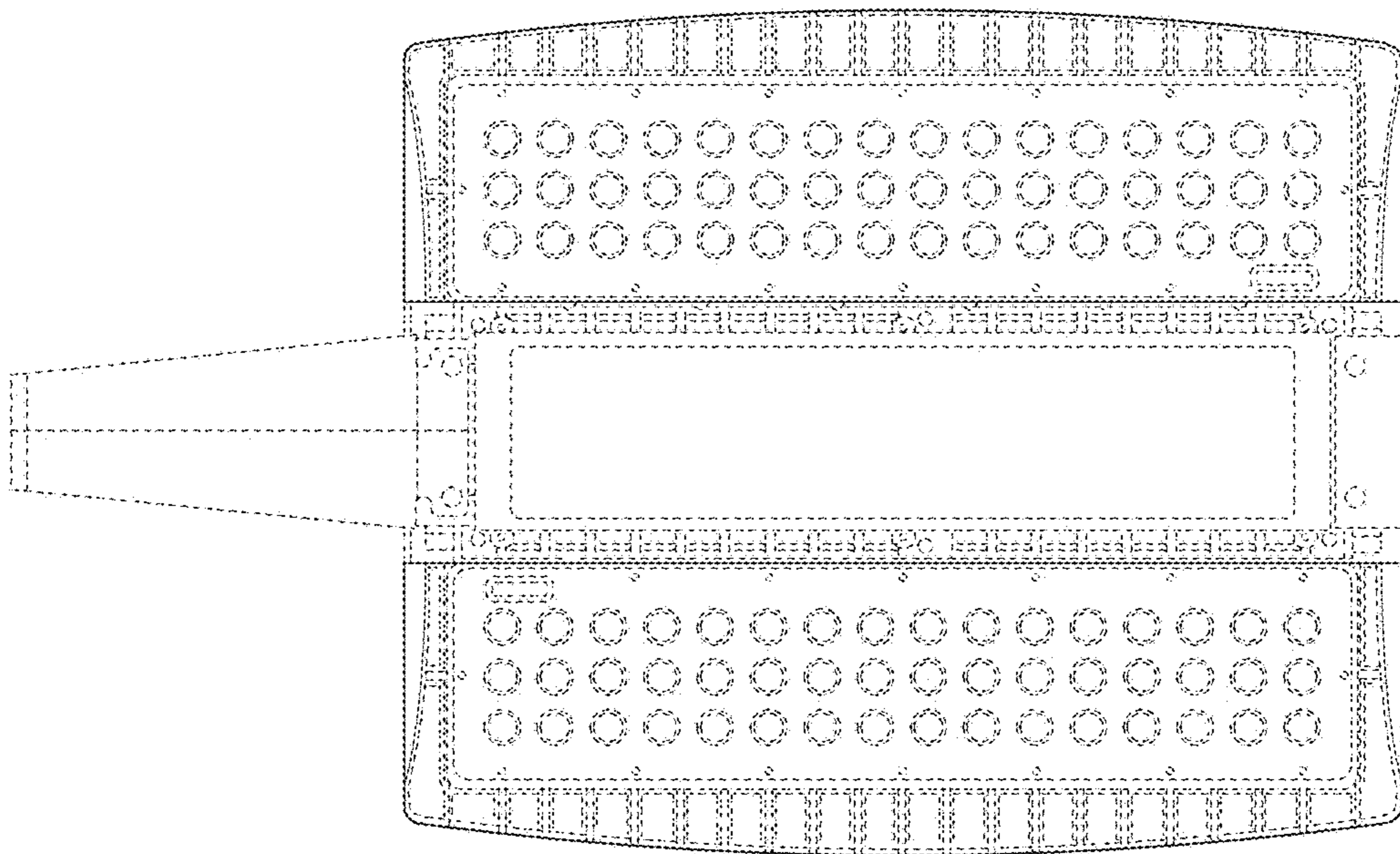


FIG. 3

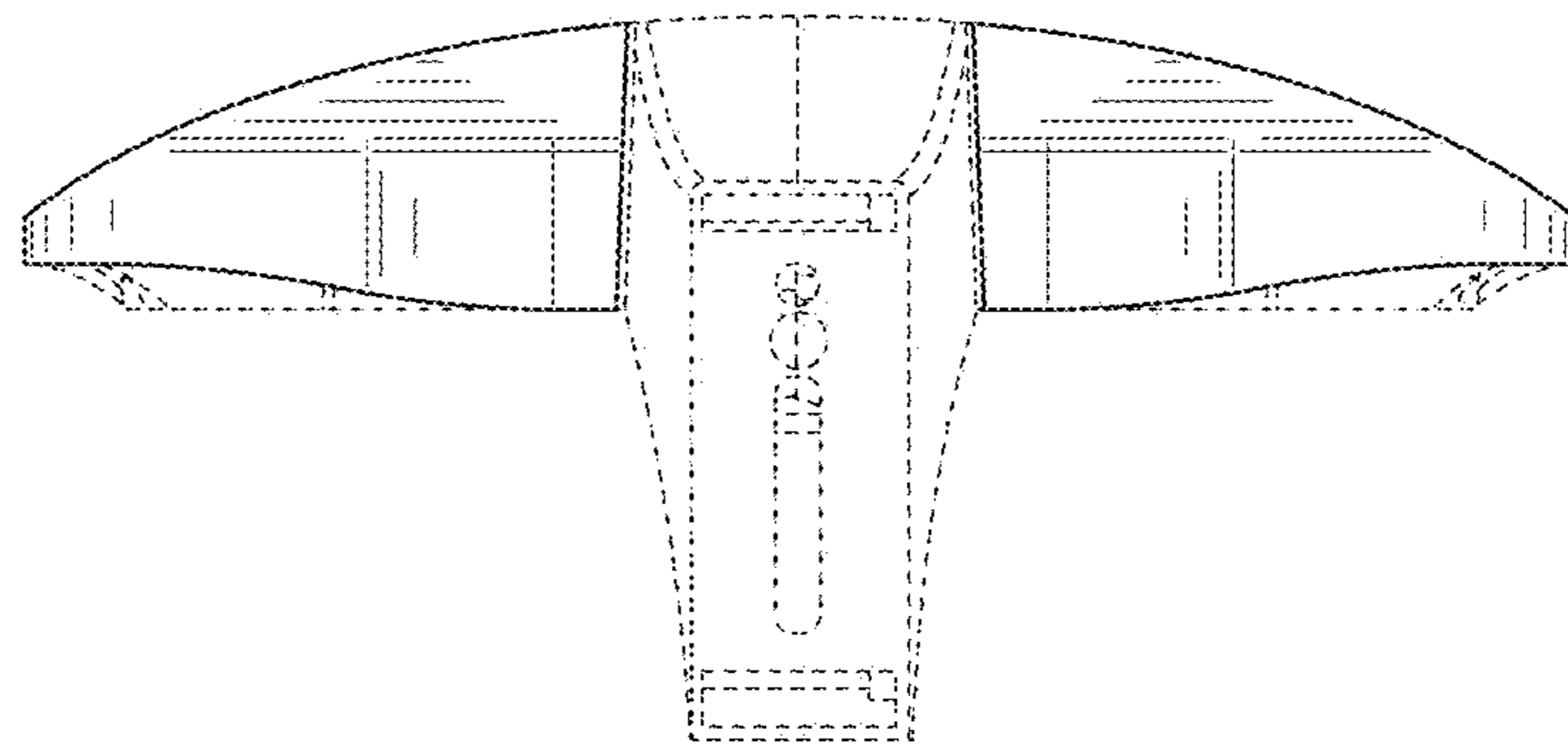


FIG. 4

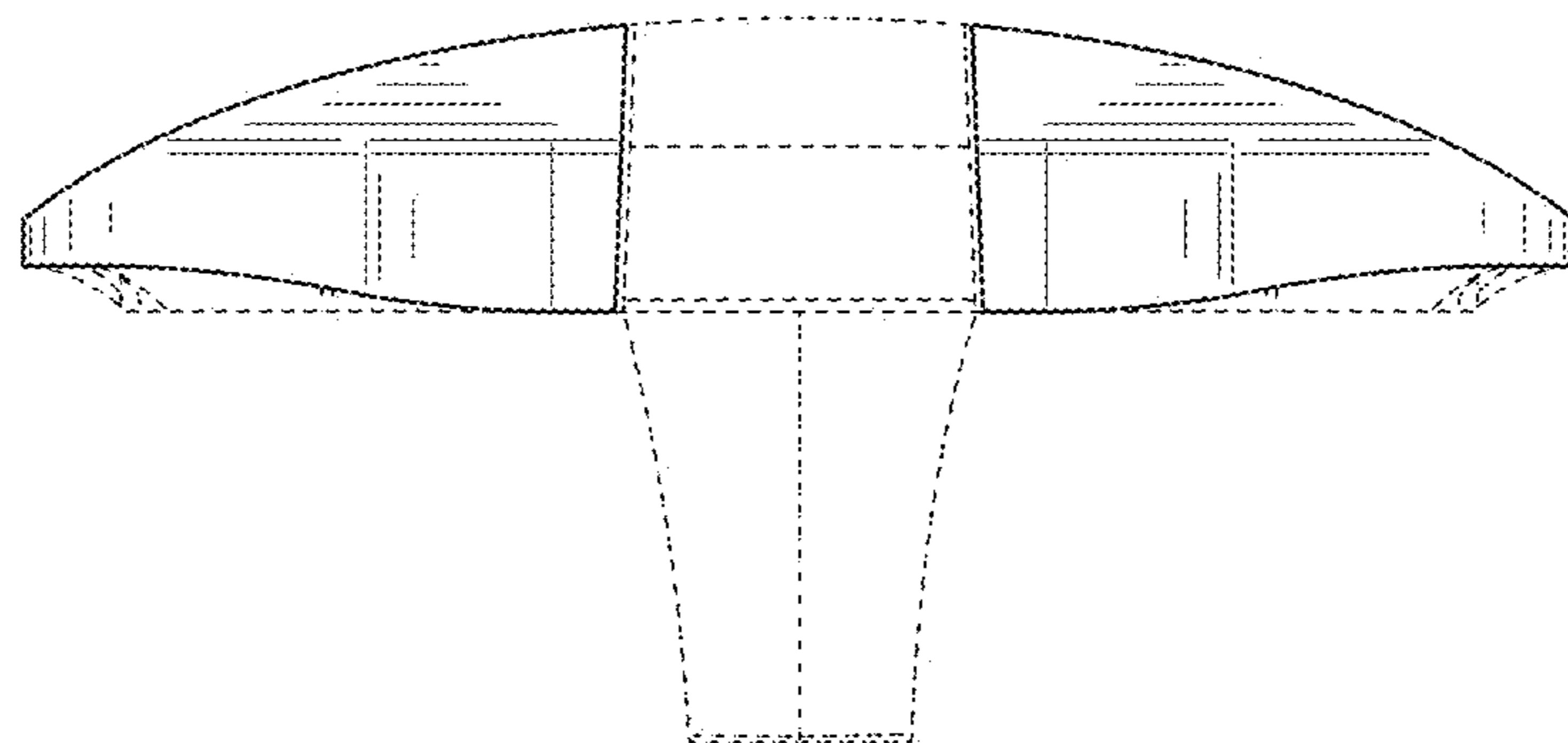


FIG. 5

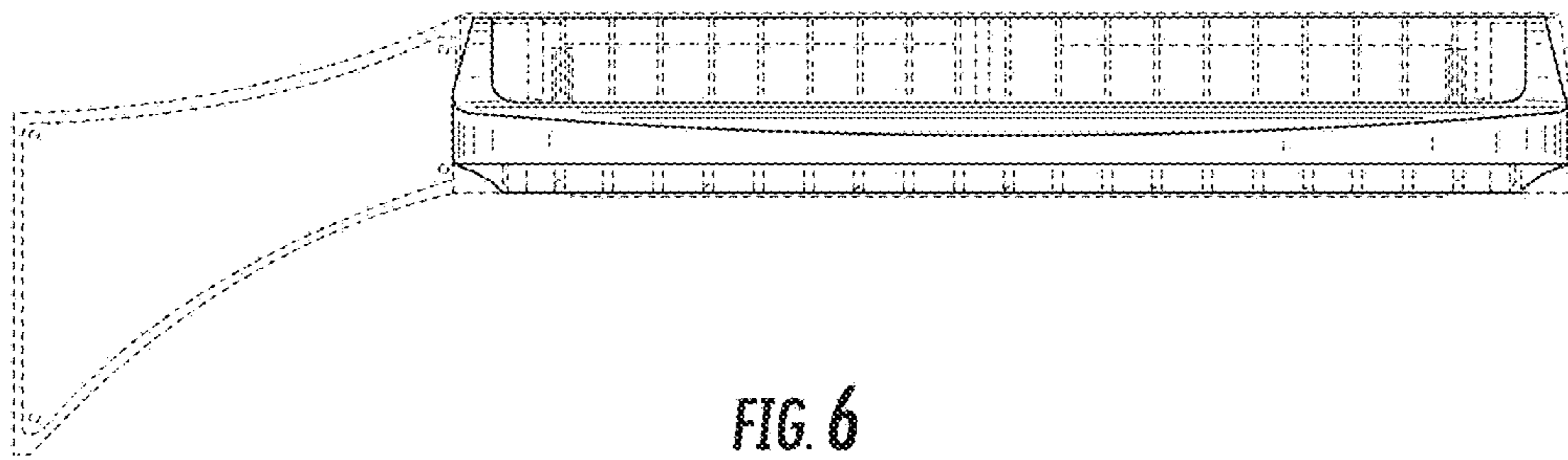


FIG. 6

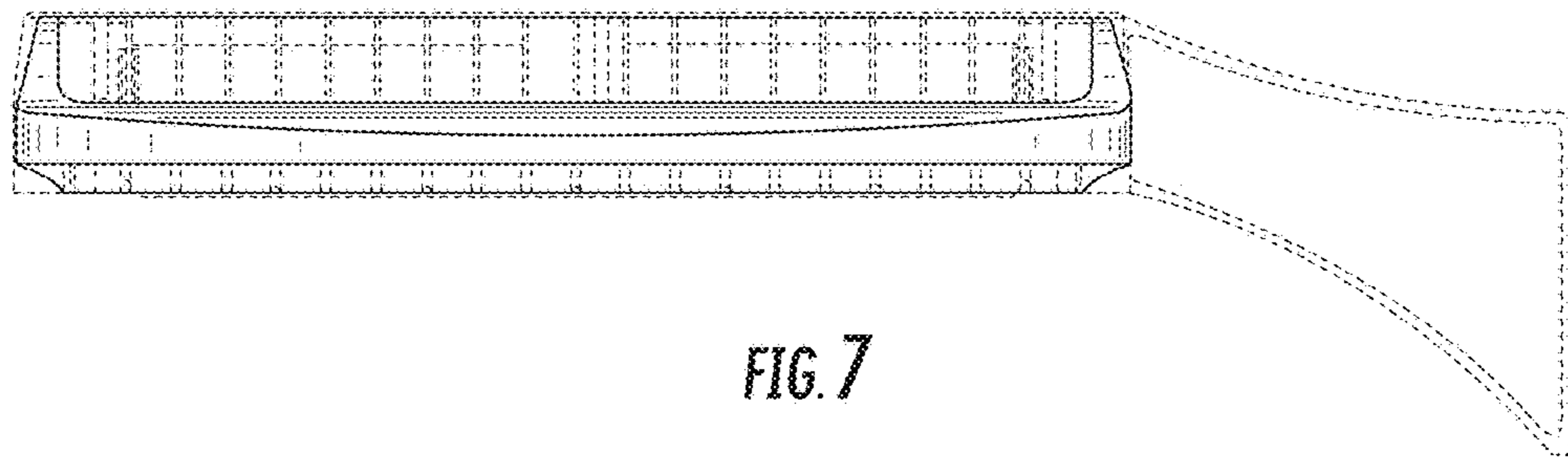


FIG. 7