



US00D825086S

(12) **United States Design Patent**
Holmes

(10) **Patent No.:** **US D825,086 S**

(45) **Date of Patent:** **** Aug. 7, 2018**

(54) **CEILING FAN LIGHT KIT**

(71) Applicant: **HUNTER FAN COMPANY**,
Memphis, TN (US)

(72) Inventor: **Christine Holmes**, Memphis, TN (US)

(73) Assignee: **Hunter Fan Company**, Memphis, TN
(US)

(**) Term: **15 Years**

(21) Appl. No.: **29/630,069**

(22) Filed: **Dec. 19, 2017**

Related U.S. Application Data

(62) Division of application No. 29/582,347, filed on Oct.
27, 2016, now Pat. No. Des. 810,918.

(51) **LOC (11) Cl.** **26-05**

(52) **U.S. Cl.**
USPC **D26/59; D23/411**

(58) **Field of Classification Search**
USPC D23/370, 377, 379, 385, 411; D26/59
CPC F04D 25/088; F21V 33/0096
See application file for complete search history.

(56) **References Cited**

U.S. PATENT DOCUMENTS

D192,402 S 3/1962 Hart
4,666,670 A 5/1987 Cox
D383,528 S 9/1997 Collmar
D435,289 S 12/2000 Liu
D449,396 S 10/2001 Campbell

(Continued)

OTHER PUBLICATIONS

<http://www.hunterfan.com/Ceiling-Fans/Ocala?ModelNumber=59214>, Item Specification for Ocala—52" Ceiling Fan, Accessed Oct. 26, 2016.

(Continued)

Primary Examiner — Janice Hallmark

(74) *Attorney, Agent, or Firm* — McGarry Bair PC

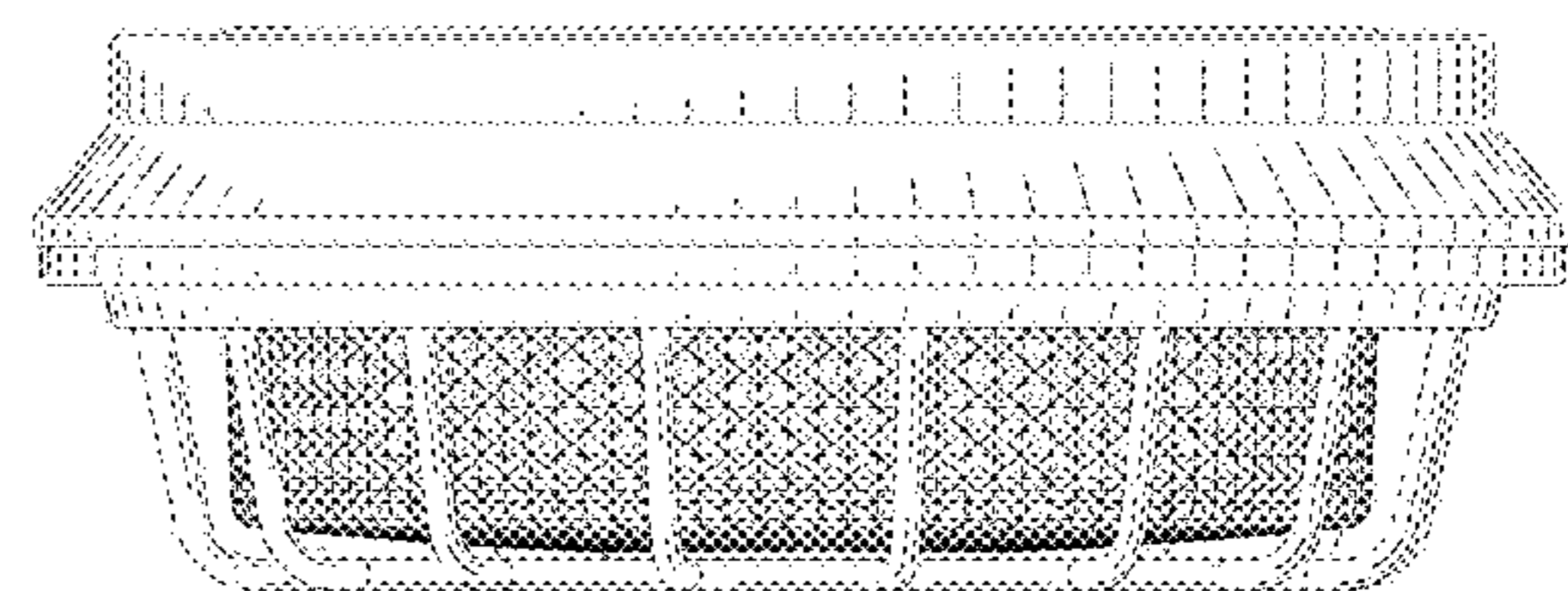
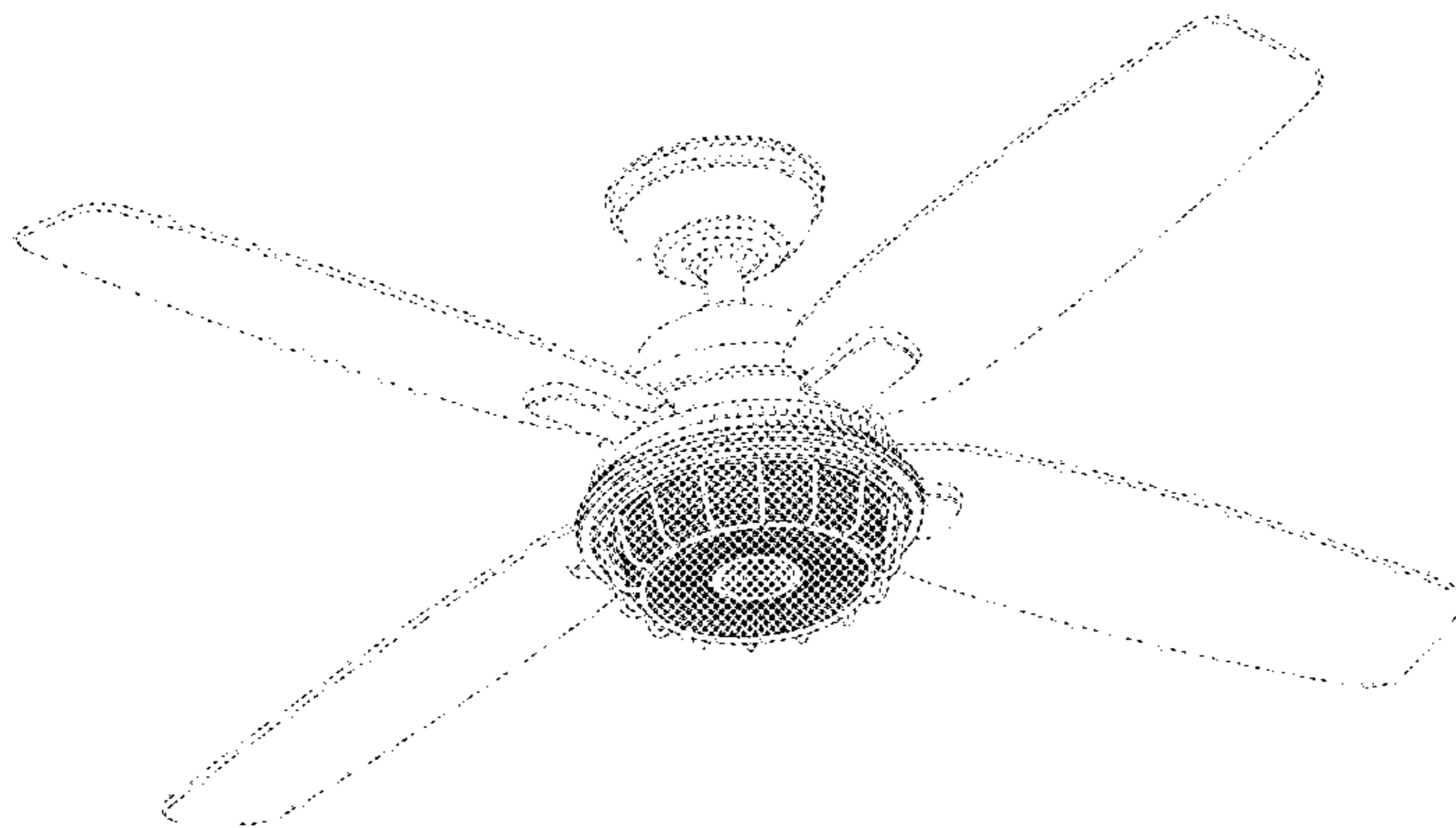
(57) **CLAIM**

The ornamental design for a ceiling fan light kit, as shown and described.

DESCRIPTION

FIG. 1 is a bottom perspective view of a ceiling fan light kit in the environment of a ceiling fan showing my new design; FIG. 2 is a top view of the ceiling fan light kit of FIG. 1; FIG. 3 is a bottom view of the ceiling fan light kit of FIG. 1; FIG. 4 is a top perspective view of the ceiling fan light kit of FIG. 1; FIG. 5 is a side view of the ceiling fan light kit of FIG. 1; FIG. 6 is a bottom perspective view of a second embodiment of a ceiling fan light kit in the environment of a ceiling fan showing my new design; FIG. 7 is a top perspective view of the ceiling fan light kit of FIG. 6; FIG. 8 is a top view of the ceiling fan light kit of FIG. 6; FIG. 9 is a bottom view of the ceiling fan light kit of FIG. 6; FIG. 10 is a right side view of the ceiling fan light kit of FIG. 6, with the left side view being identical thereto; and, FIG. 11 is a front side view of the ceiling fan light kit of FIG. 6, with the rear side view being identical thereto. Broken line portions of the ceiling fan light kit in FIGS. 2-5 and FIGS. 7-11 form no part of the claimed design. The broken lines in FIG. 1 and FIG. 5 depict ceiling fan environmental subject matter and form no part of the claimed design.

1 Claim, 11 Drawing Sheets



(56)

References Cited

U.S. PATENT DOCUMENTS

D476,406 S 6/2003 Friedes
 D476,411 S 6/2003 Friedes
 D479,872 S 9/2003 Young
 D489,126 S 4/2004 Young
 D510,622 S 10/2005 Tai
 D516,200 S 2/2006 Pickett
 D517,196 S 3/2006 Pickett
 D517,197 S * 3/2006 Pickett D23/411
 D517,675 S 3/2006 Young
 D521,625 S 5/2006 Young
 D525,696 S 7/2006 Ertze
 D528,645 S 9/2006 Young
 D529,163 S 9/2006 Young
 D535,739 S 1/2007 Pan
 D539,894 S 4/2007 Bucher
 D555,779 S 11/2007 Bucher
 D576,720 S 9/2008 Bucher et al.
 D581,509 S 11/2008 Marshall
 D593,194 S 5/2009 Pan
 D599,900 S 9/2009 Chen
 D632,412 S * 2/2011 Pan D26/59
 D633,611 S 3/2011 Pan
 D699,339 S * 2/2014 Wang D23/385
 D708,314 S 7/2014 Pan
 D710,489 S 8/2014 Shurtleff
 D732,157 S 6/2015 Lin et al.
 D799,664 S * 10/2017 Wang D23/377
 D804,633 S * 12/2017 Holmes D23/377
 D804,635 S * 12/2017 Holmes D23/377
 D804,638 S * 12/2017 Guthrie D23/377
 D804,640 S * 12/2017 Haggar D23/377
 D805,173 S * 12/2017 Vajen Habig D23/377

D805,182 S * 12/2017 Pickett D23/411
 D806,852 S * 1/2018 Holmes D23/377
 D808,002 S * 1/2018 Holmes D23/377
 D810,918 S * 2/2018 Holmes D23/377

OTHER PUBLICATIONS

<https://www.amazon.com/Monte-Carlo-5DKR52ESD-Ceiling-Espresso/dp/B00TCDWKUE>, Item Specification for Monte Carlo Dakota Ceiling Fan, 52", Espresso, Accessed Oct. 26, 2016.
<https://www.lowes.com/pd/Harbor-Breeze-Lansing-42-in-Aged-Bronze-Downrod-or-Close-Mount-Indoor-Ceiling-Fan-with-Light-Kit/4135884>, Item Specification for Harbor Breeze Lansing 42" Aged Bronze Downrod, Accessed Oct. 26, 2016.
<http://www.homedepot.com/p/Hampton-Bay-North-Shoreline-46-in-Natural-Iron-Indoor-Outdoor-Ceiling-Fan-with-Light-Kit-51546/205643117>, Item Specification for Hampton Bay North Shoreline 46" Natural Iron Indoor/Outdoor Ceiling Fan with Light Kit, Accessed Oct. 26, 2016.
<https://www.lowes.com/pd/Harbor-Breeze-Merrimack-52-in-Antique-Bronze-Downrod-Mount-Indoor-Outdoor-Ceiling-Fan-with-Light-Kit-and-Remote/4165863>, Item Specification for Harbor Breeze Merrimack 52-in Antique Bronze Downrod Mount Indoor/Outdoor Ceiling Fan with Light Kit and Remote, Accessed Oct. 26, 2016.
<http://www.fanimation.com/products/index.php/fans/kaya.html>, Item Specification for Fanimation Kaya, Accessed Oct. 26, 2016.
<https://www.lowes.com/pd/Hunter-Allegheny-52-in-New-Bronze-Flush-Mount-Indoor-Outdoor-Ceiling-Fan-with-Light-Kit/3819969>, Hunter Allegheny 52-in. New Bronze Flush Mouny Indoor/Outdoor Ceiling Fan with Light Kit, accessed Apr. 6, 2018.

* cited by examiner

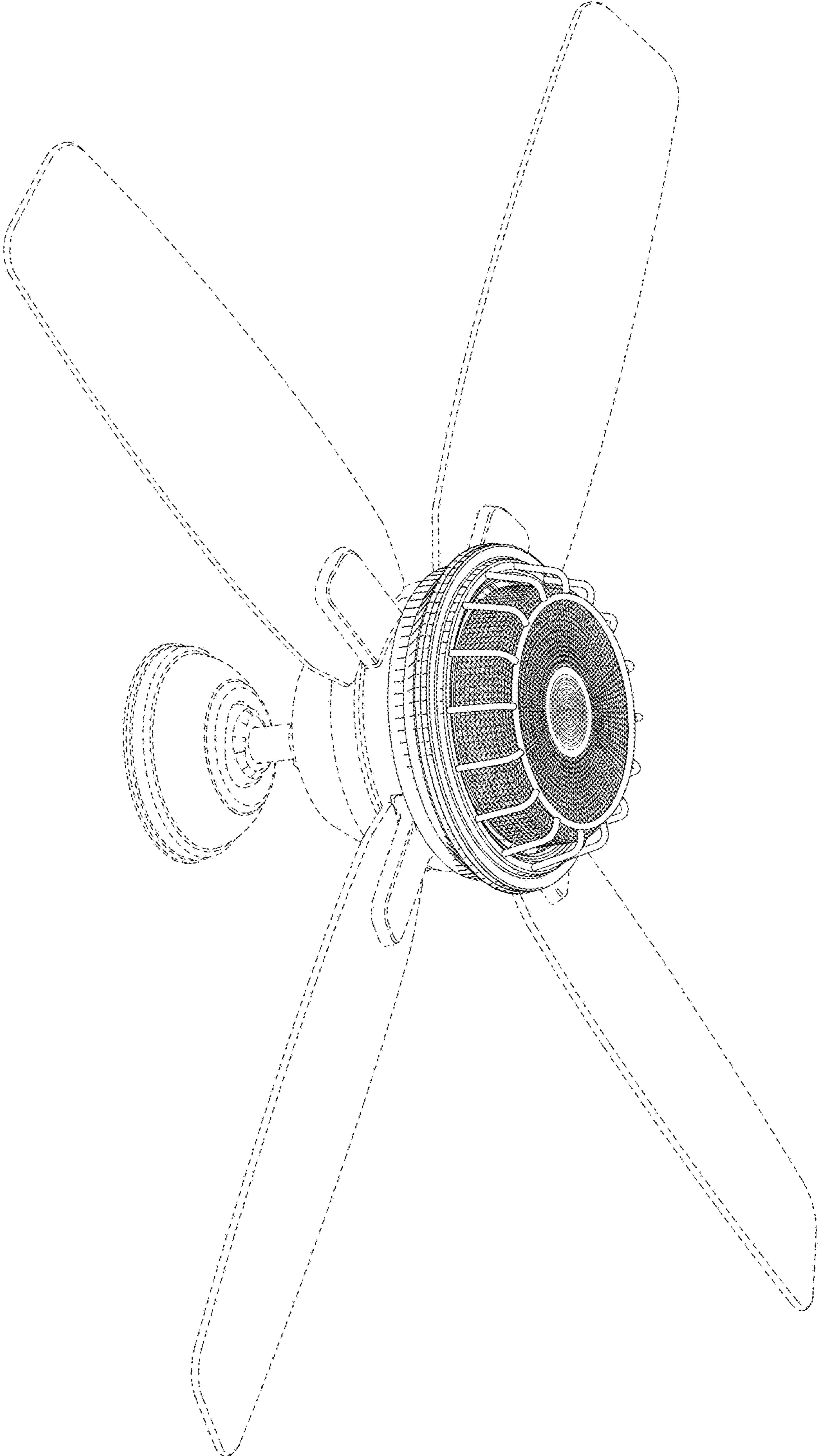


FIG. 1

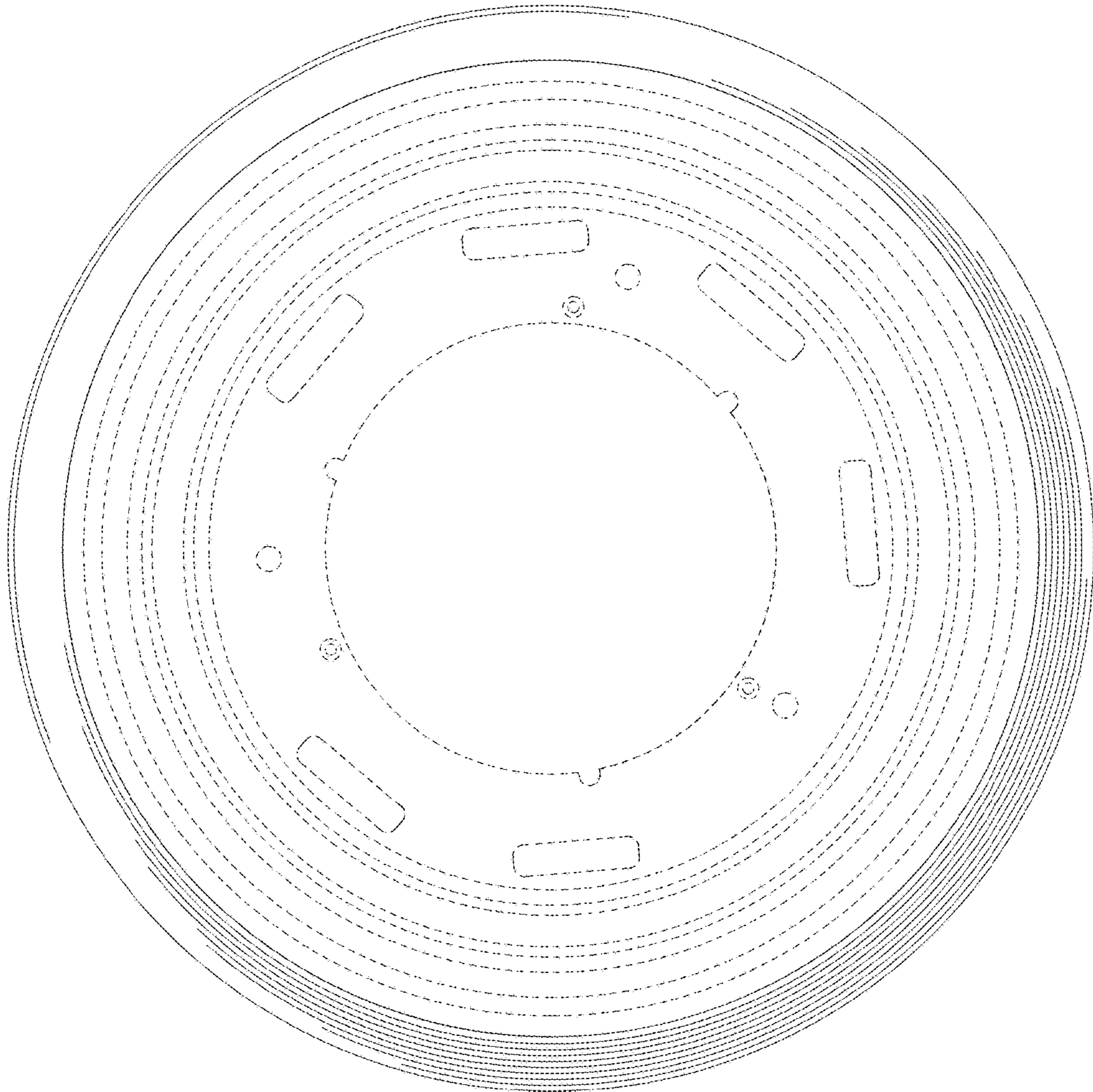


FIG. 2

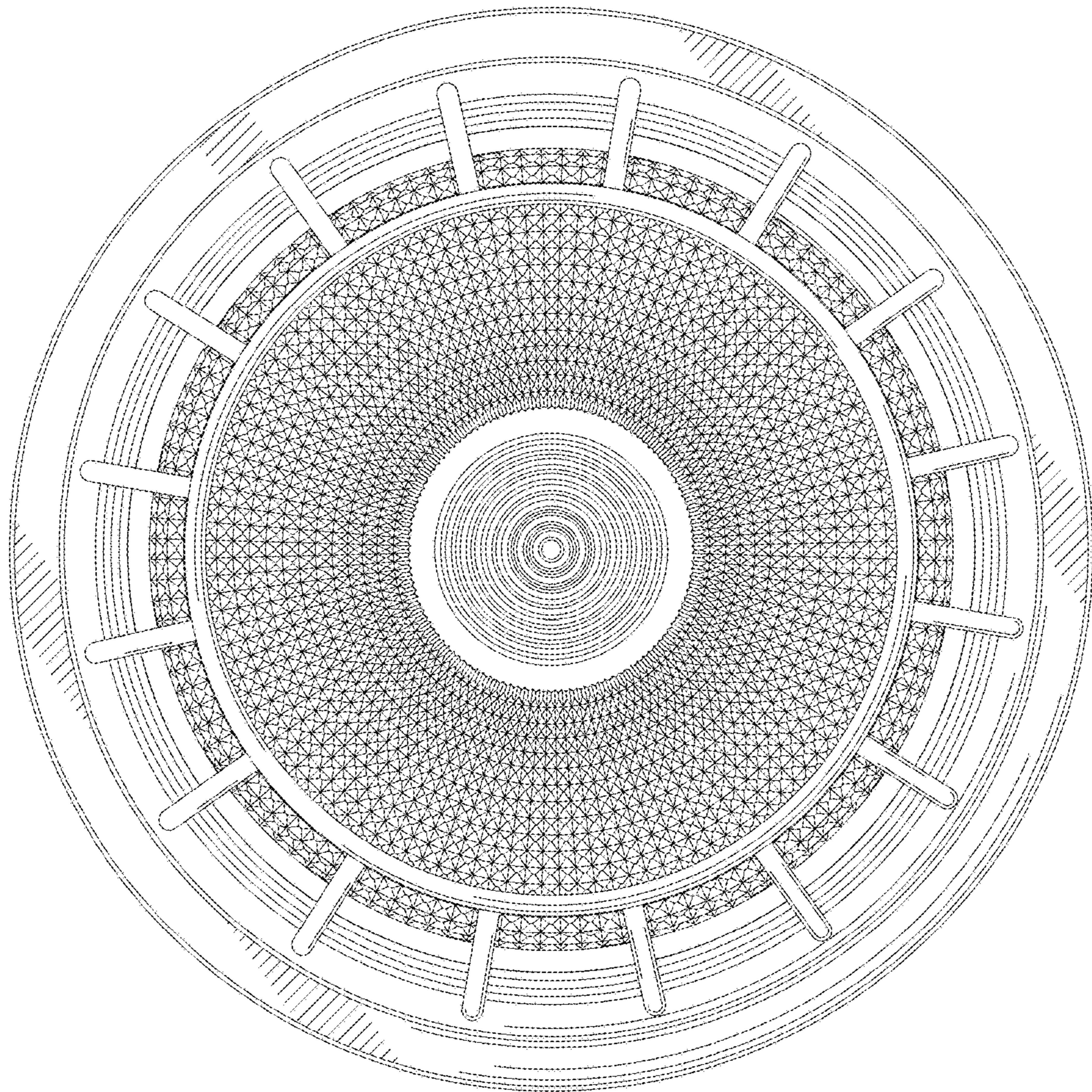


FIG. 3

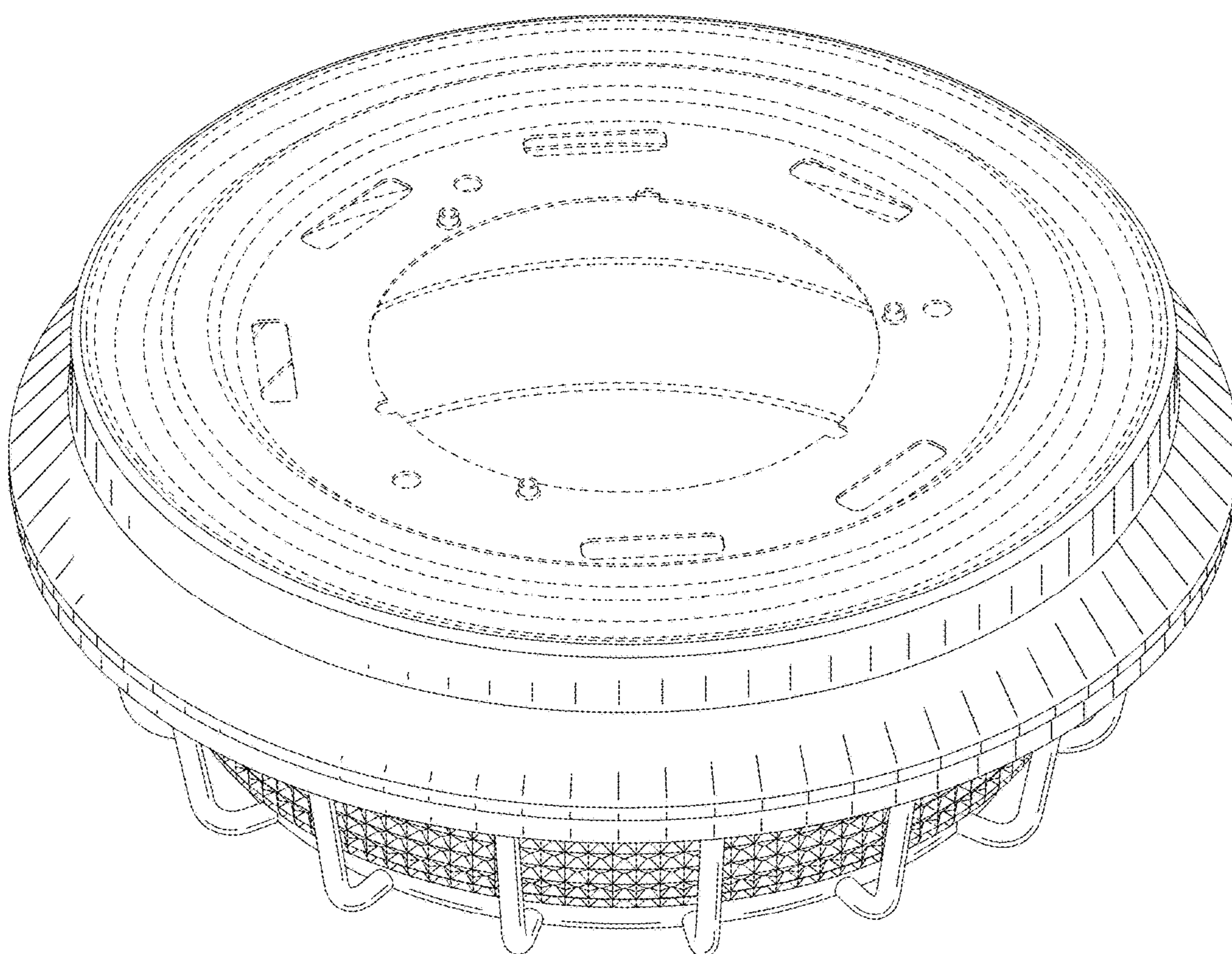


FIG. 4

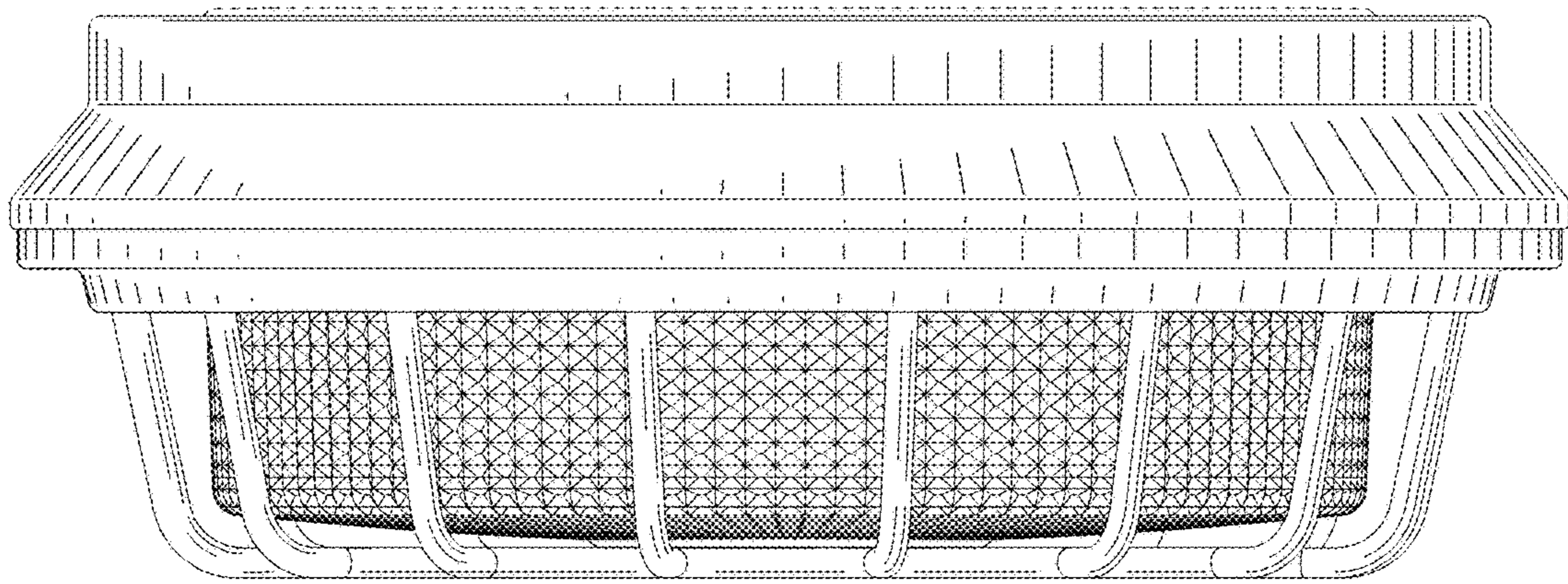


FIG. 5

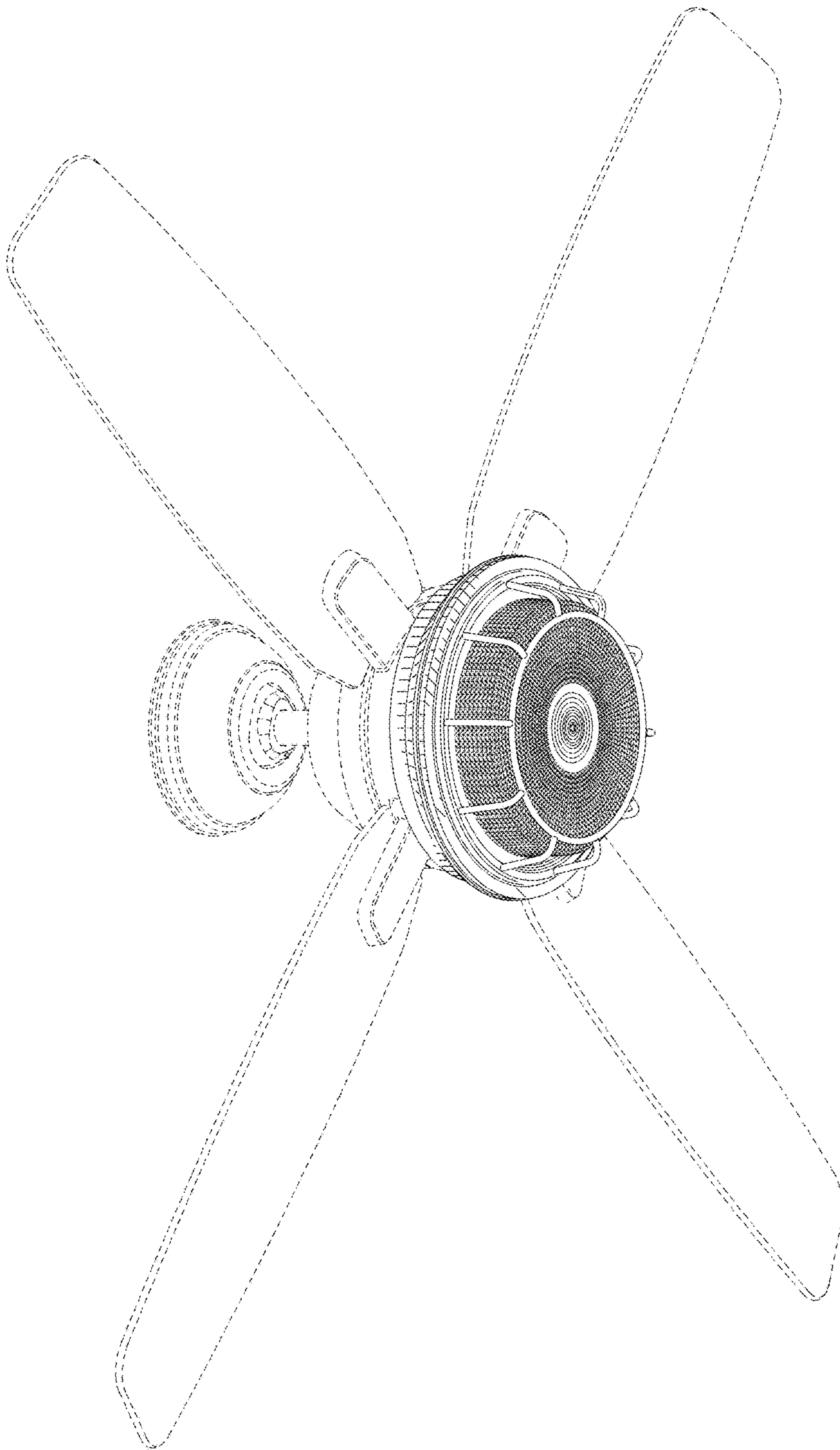


FIG. 6

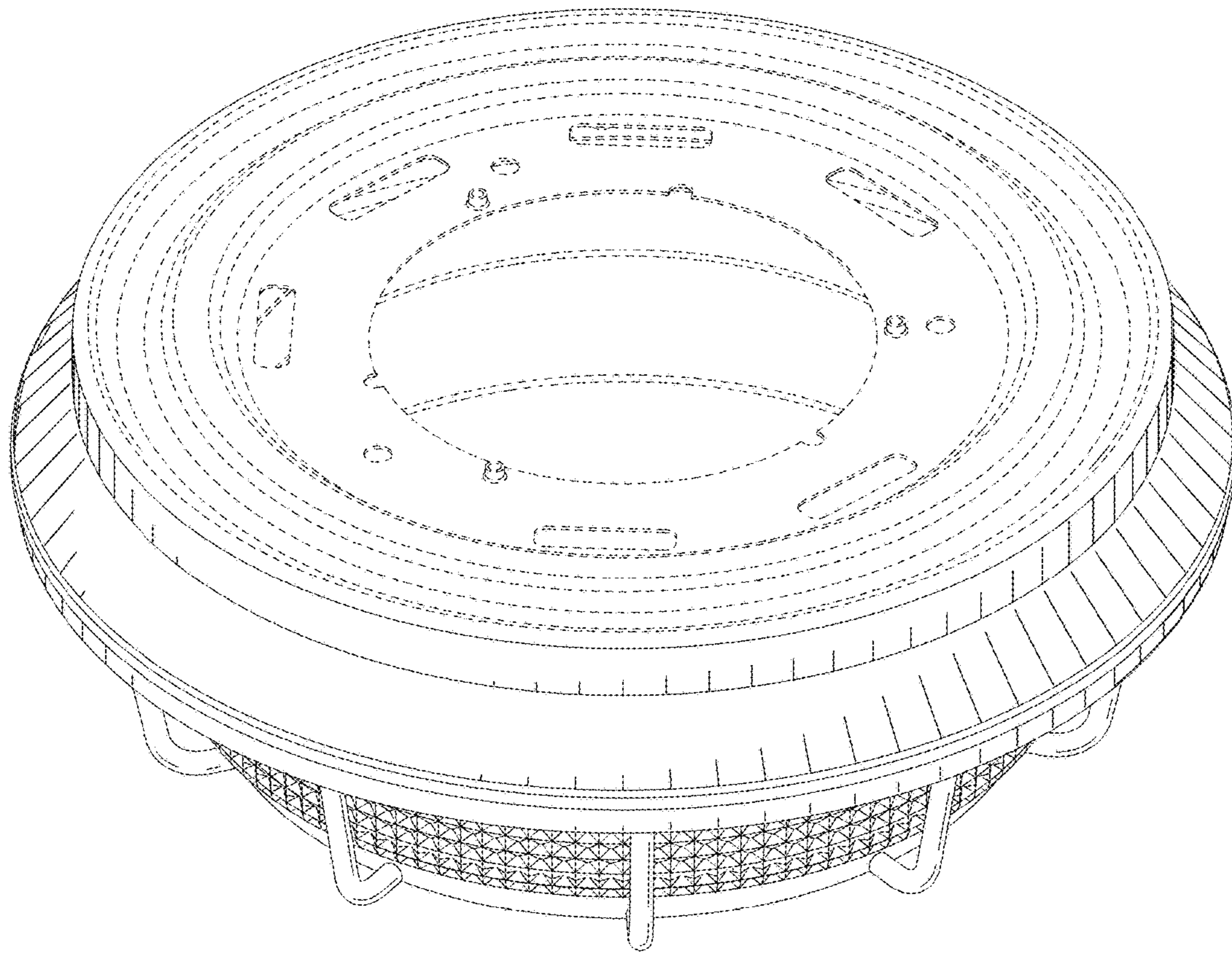


FIG. 7

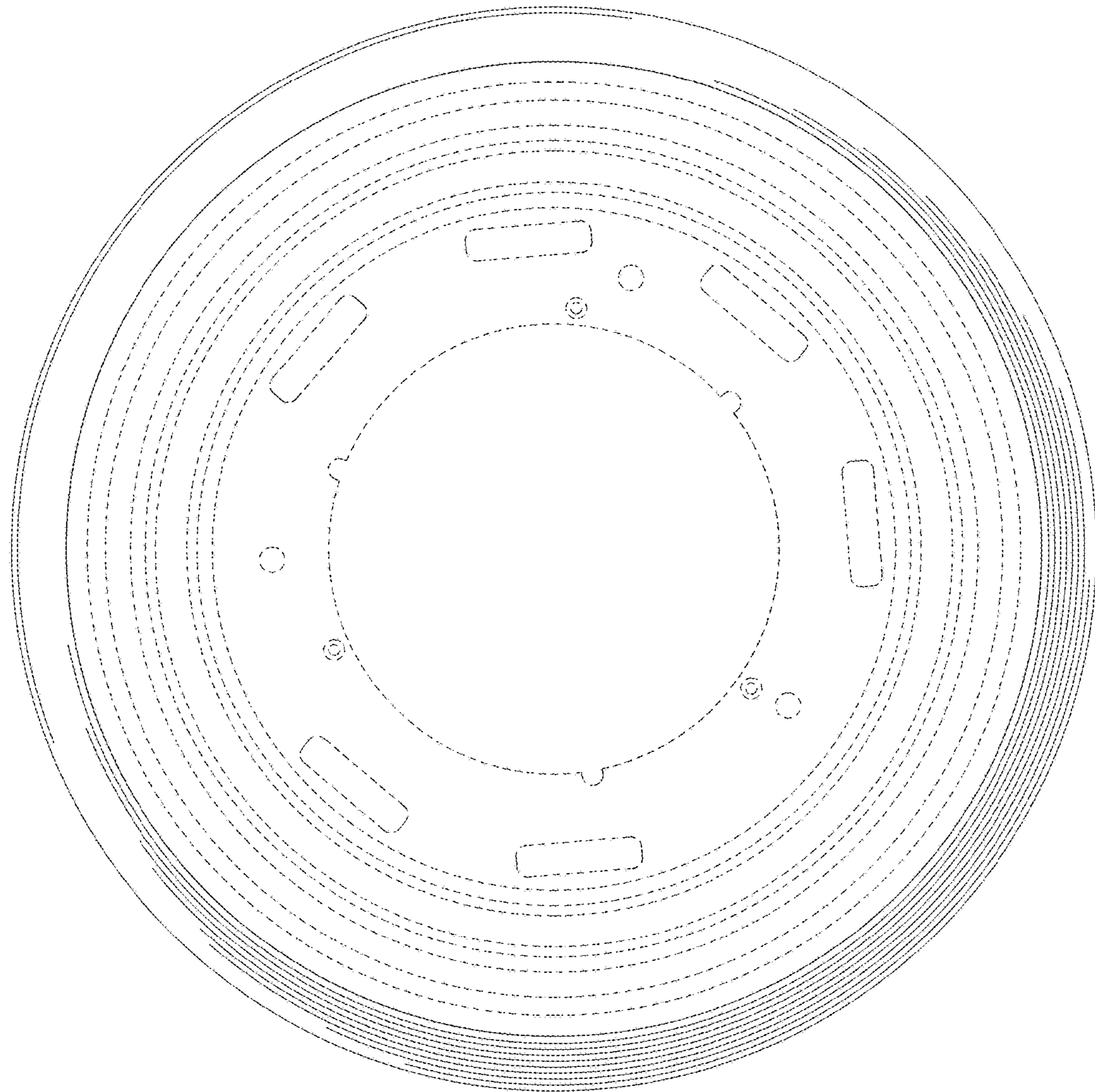


FIG. 8

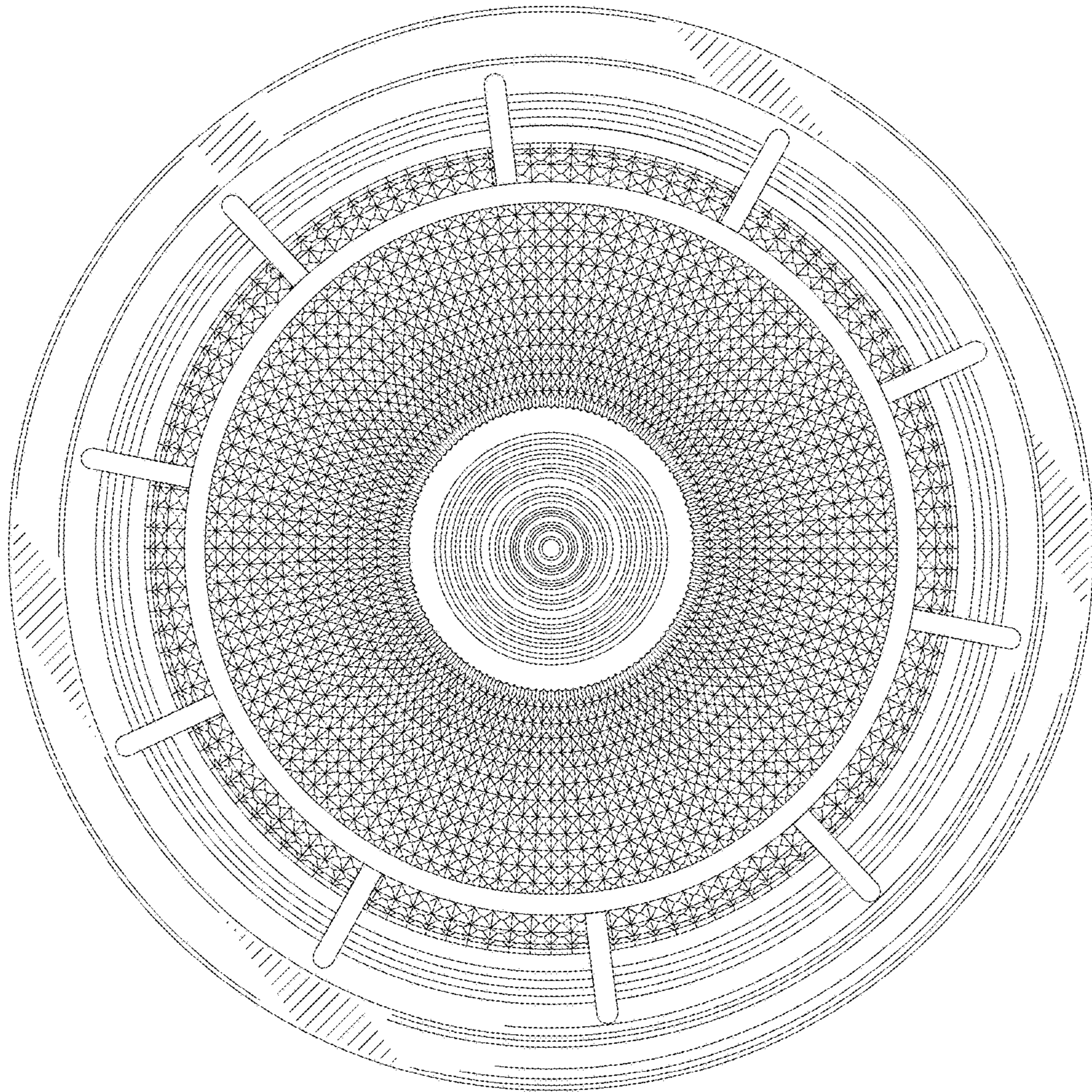


FIG. 9

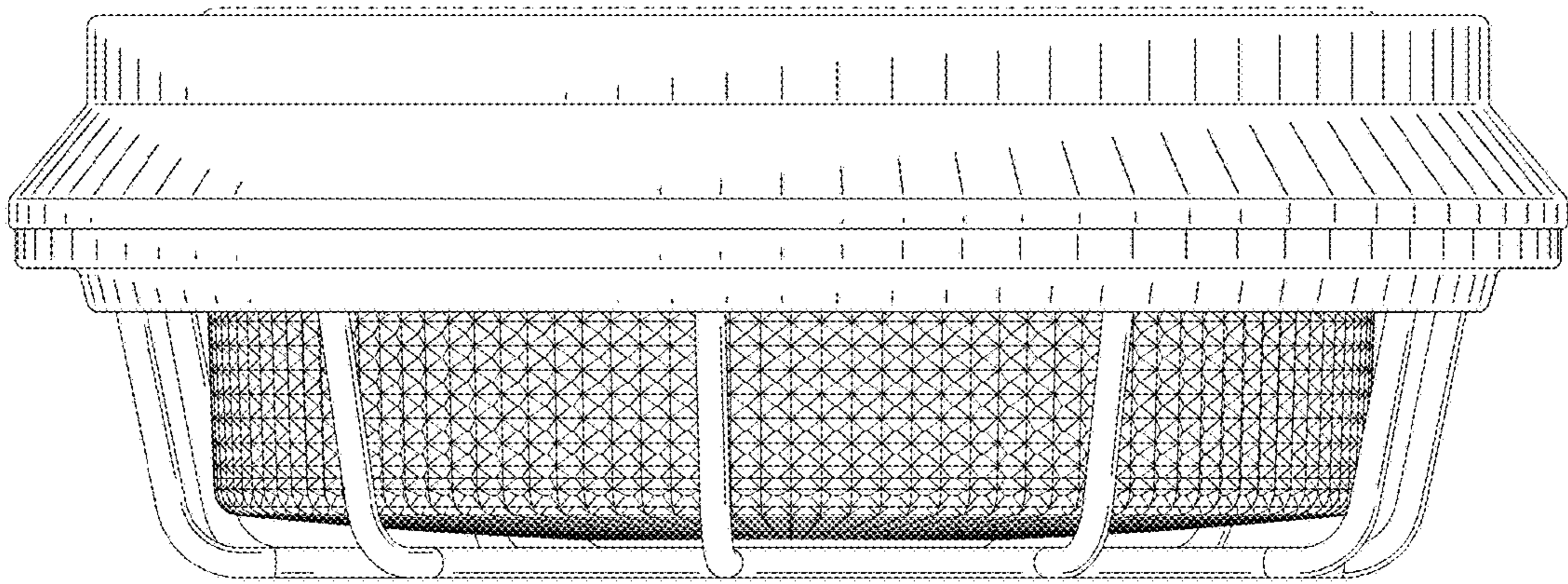


FIG. 10

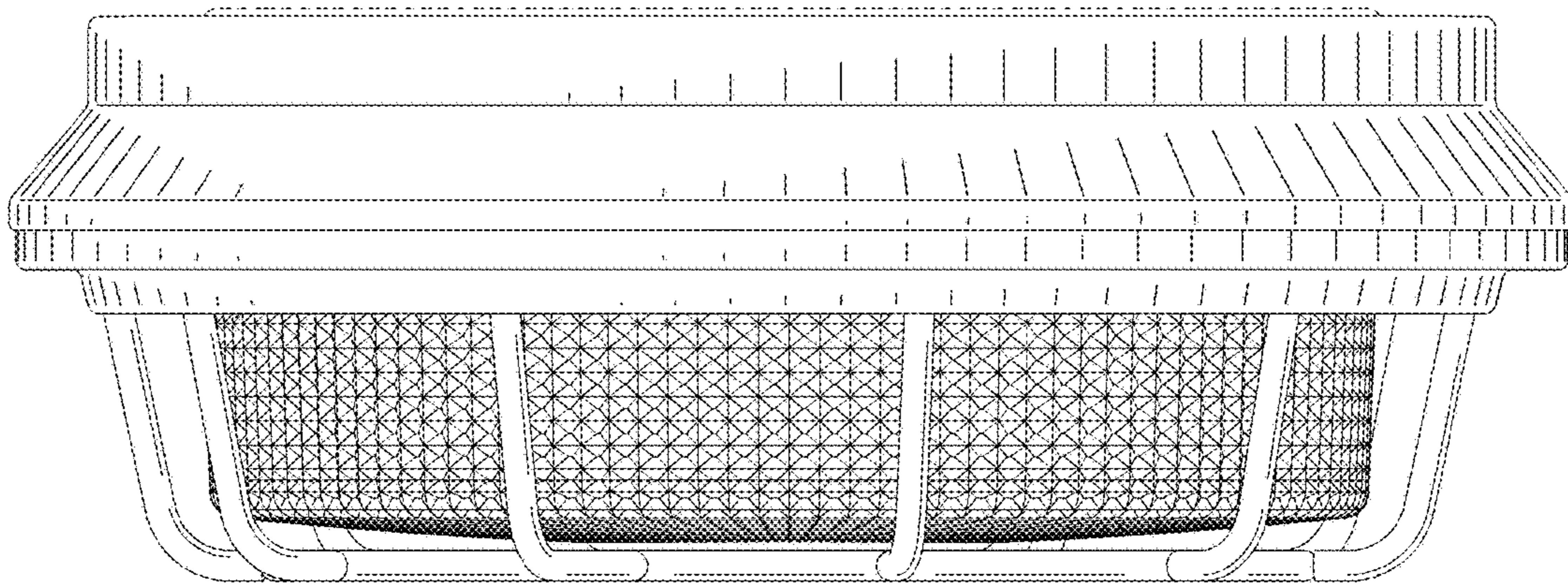


FIG. 11