



US00D825085S

(12) **United States Design Patent** (10) **Patent No.:** **US D825,085 S**
Jian (45) **Date of Patent:** **** Aug. 7, 2018**

(54) **HEADLIGHT FOR A VEHICLE**

(71) Applicant: **Yanwei Jian**, Wuchuan (CN)

(72) Inventor: **Yanwei Jian**, Wuchuan (CN)

(73) Assignee: **PJE E-COMMERCE SERVICES**,
Sacramento, CA (US)

(**) Term: **15 Years**

(21) Appl. No.: **29/609,195**

(22) Filed: **Jun. 29, 2017**

(51) **LOC (11) Cl.** **26-06**

(52) **U.S. Cl.**
USPC **D26/28**

(58) **Field of Classification Search**
USPC D26/28-36; 362/80-83, 267-269,
362/459-468, 475-478, 485-487
CPC F21S 48/00; F21S 48/10; F21S 48/115;
F21S 48/225; F21S 48/1233; F21S
48/1266; F21S 48/1388; F21S 48/2268;
F21S 48/1154; F21S 48/1159; F21V
21/04

See application file for complete search history.

(56) **References Cited**

U.S. PATENT DOCUMENTS

D720,483 S	*	12/2014	Saddig	D26/28
D740,984 S	*	10/2015	Chen	D26/28
D769,487 S	*	10/2016	Ma	D26/28
D769,490 S	*	10/2016	Ma	D26/28
D777,961 S	*	1/2017	Wu	D26/28

* cited by examiner

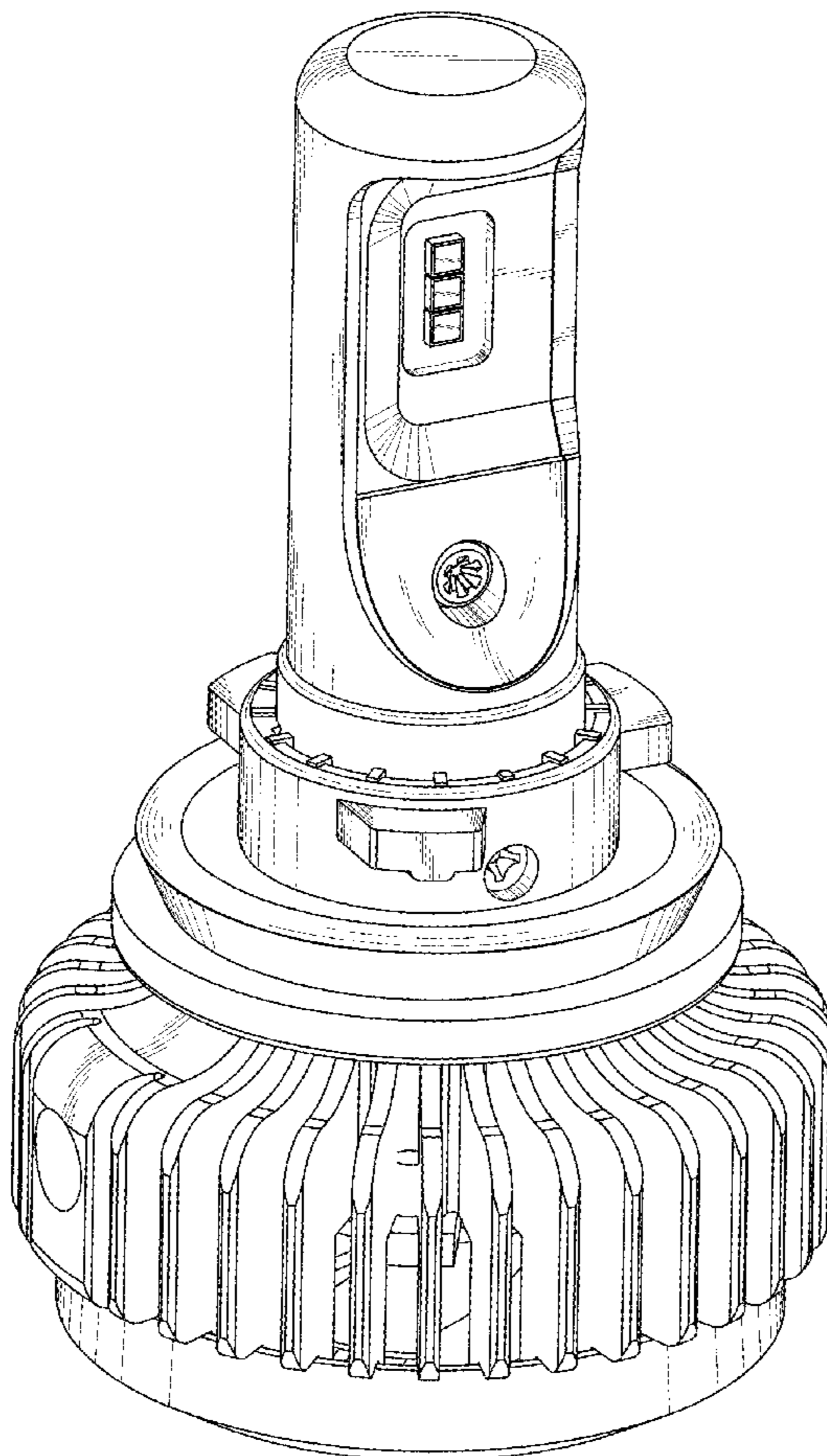
Primary Examiner — Marcus Jackson

(57) **CLAIM**
The ornamental design for a headlight for a vehicle, as shown.

DESCRIPTION

FIG. 1 is a front elevational view of a headlight for a vehicle showing my new design;
 FIG. 2 is a rear elevational view thereof;
 FIG. 3 is a left side elevational view thereof;
 FIG. 4 is a right side elevational view thereof;
 FIG. 5 is a top plan view thereof;
 FIG. 6 is a bottom plan view thereof;
 FIG. 7 is a front perspective view thereof; and,
 FIG. 8 is a top perspective view thereof.

1 Claim, 8 Drawing Sheets



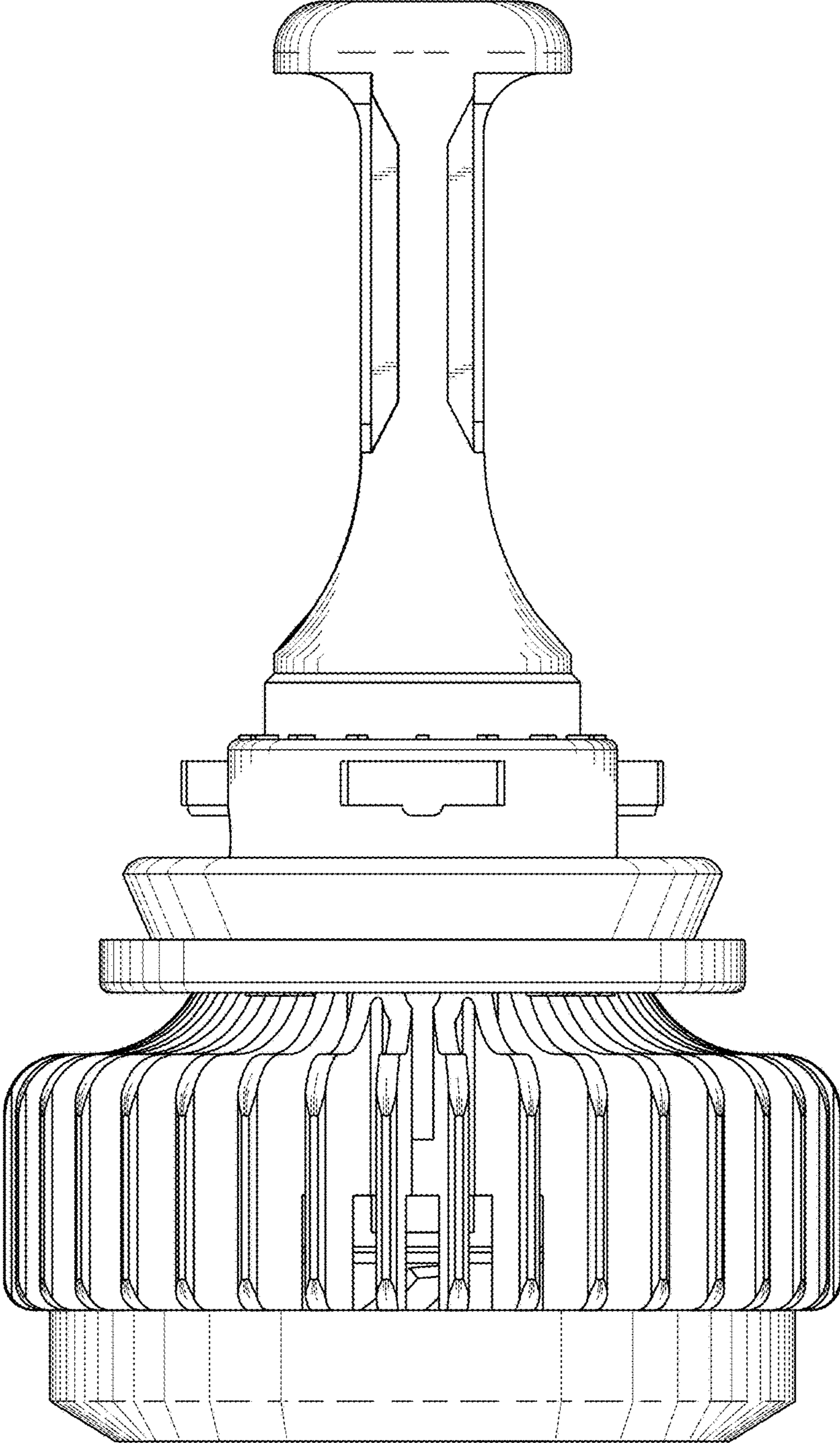


FIG.1

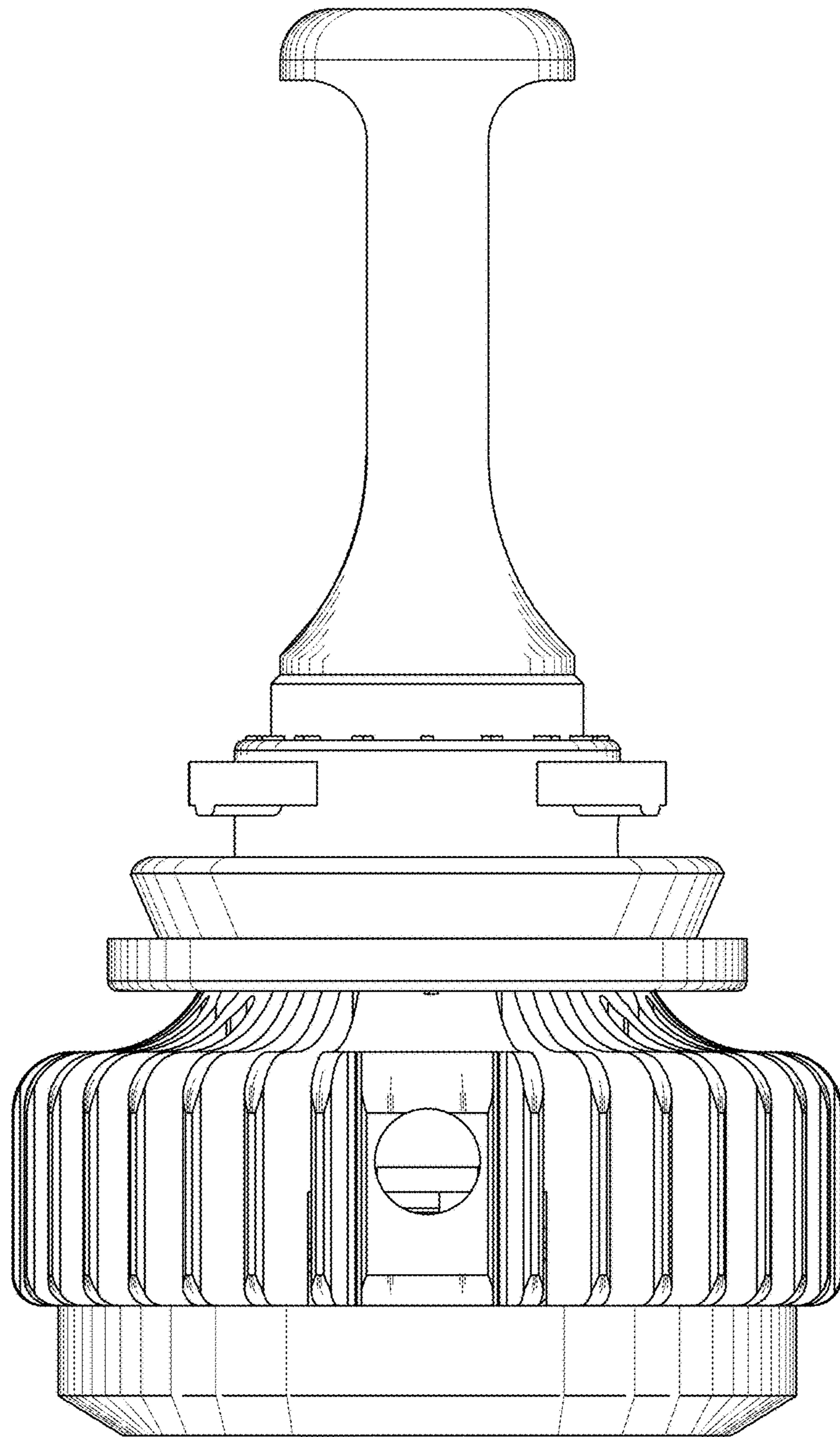


FIG.2

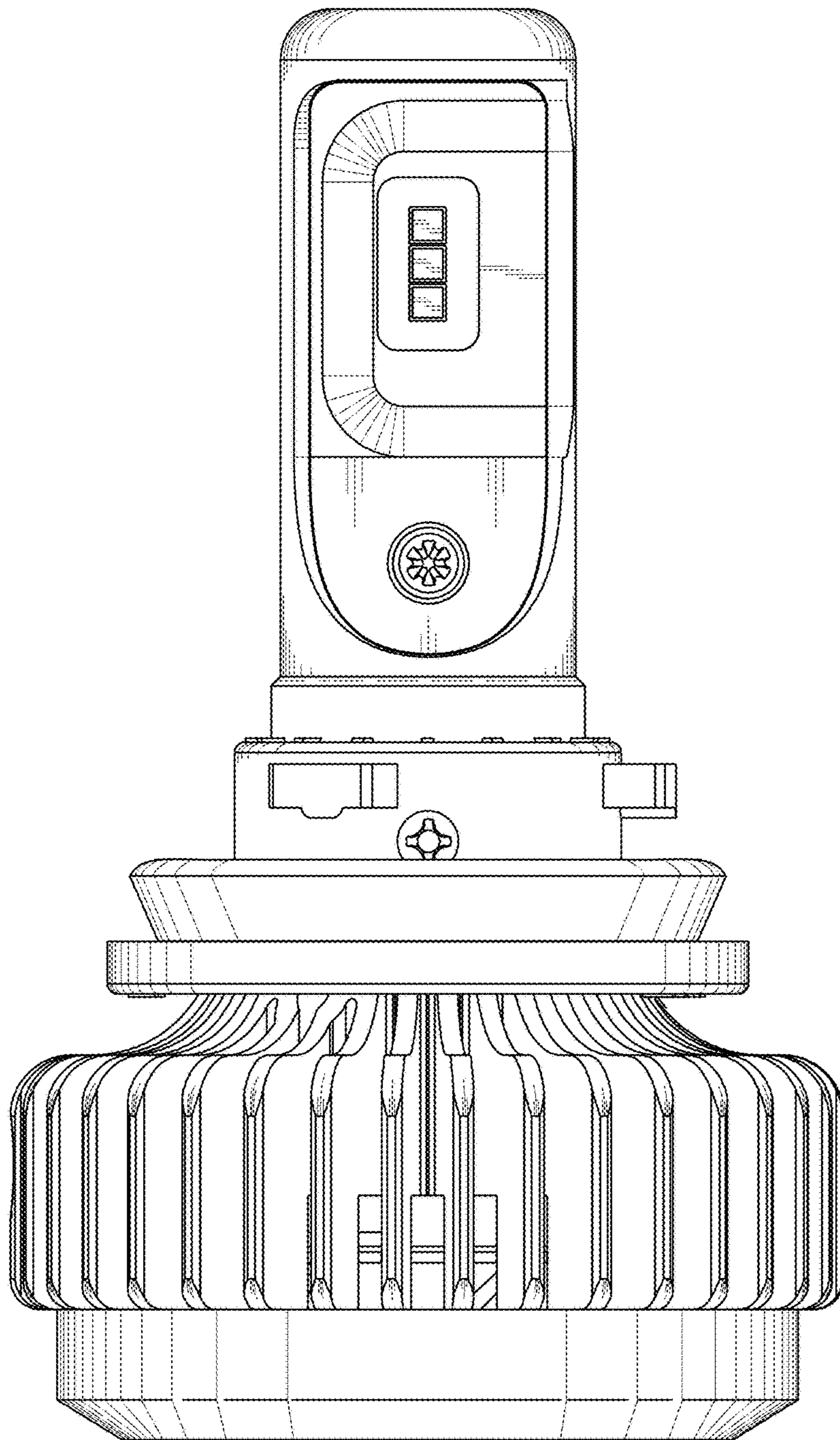


FIG.3

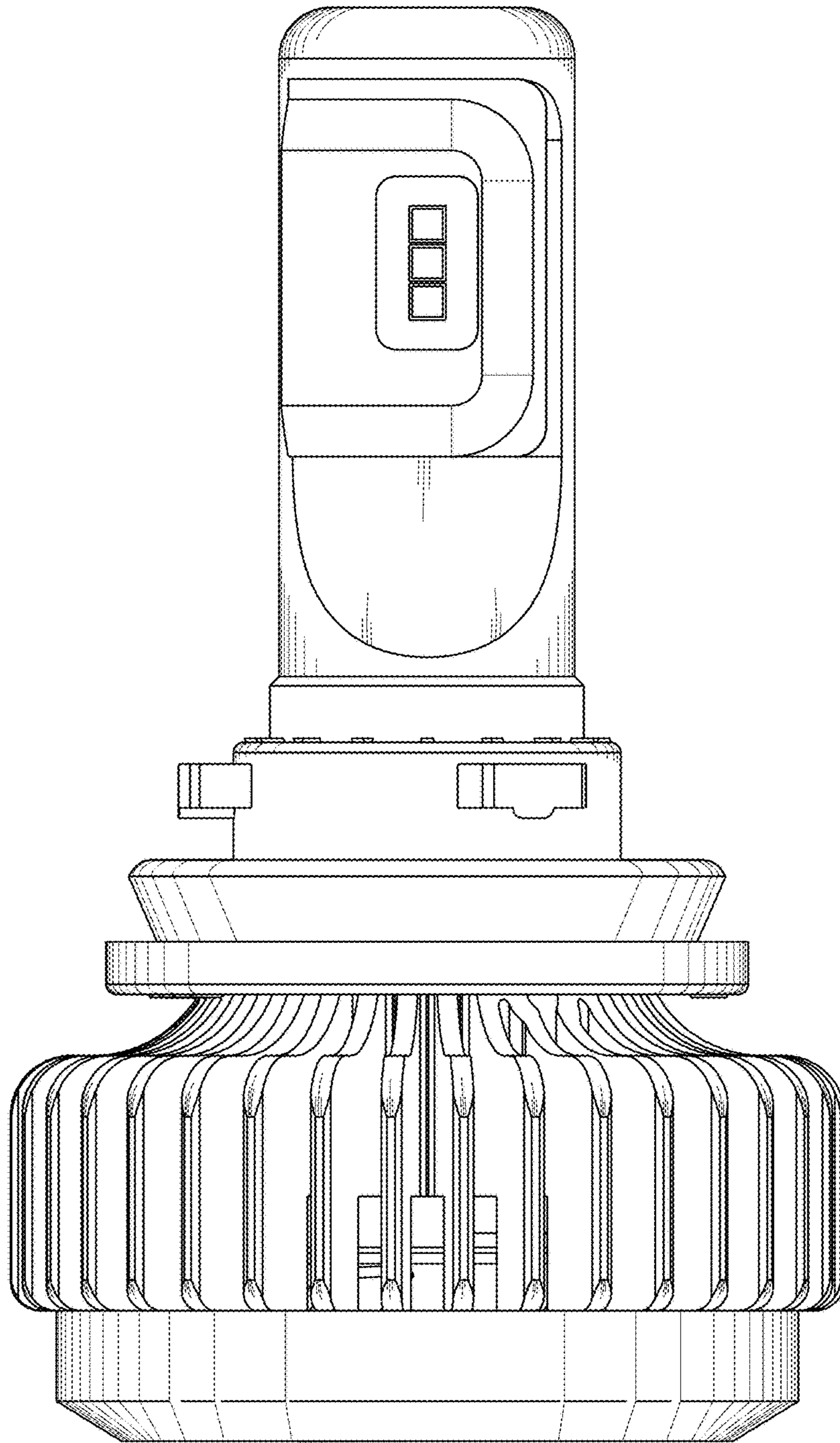


FIG.4

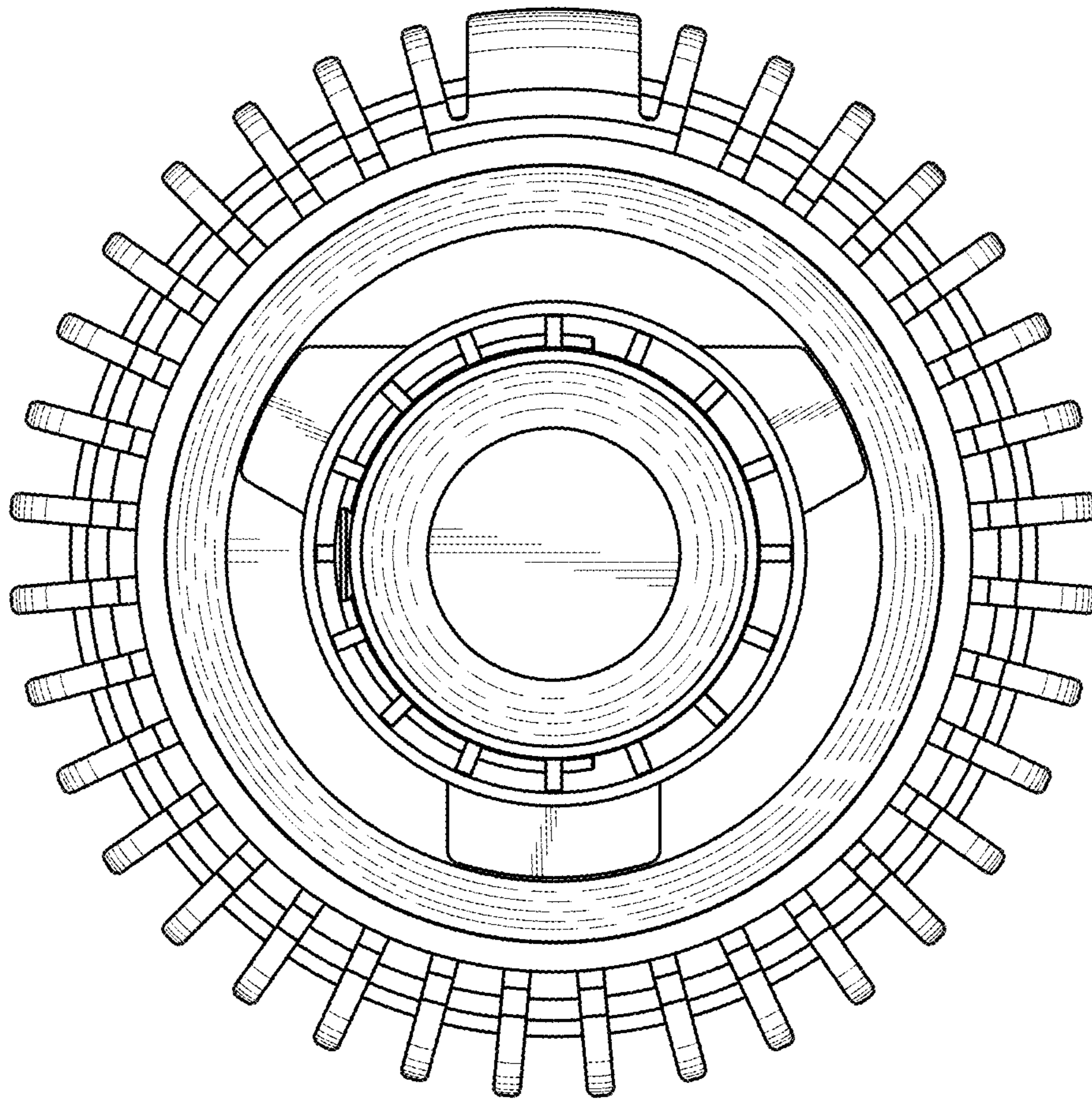


FIG.5

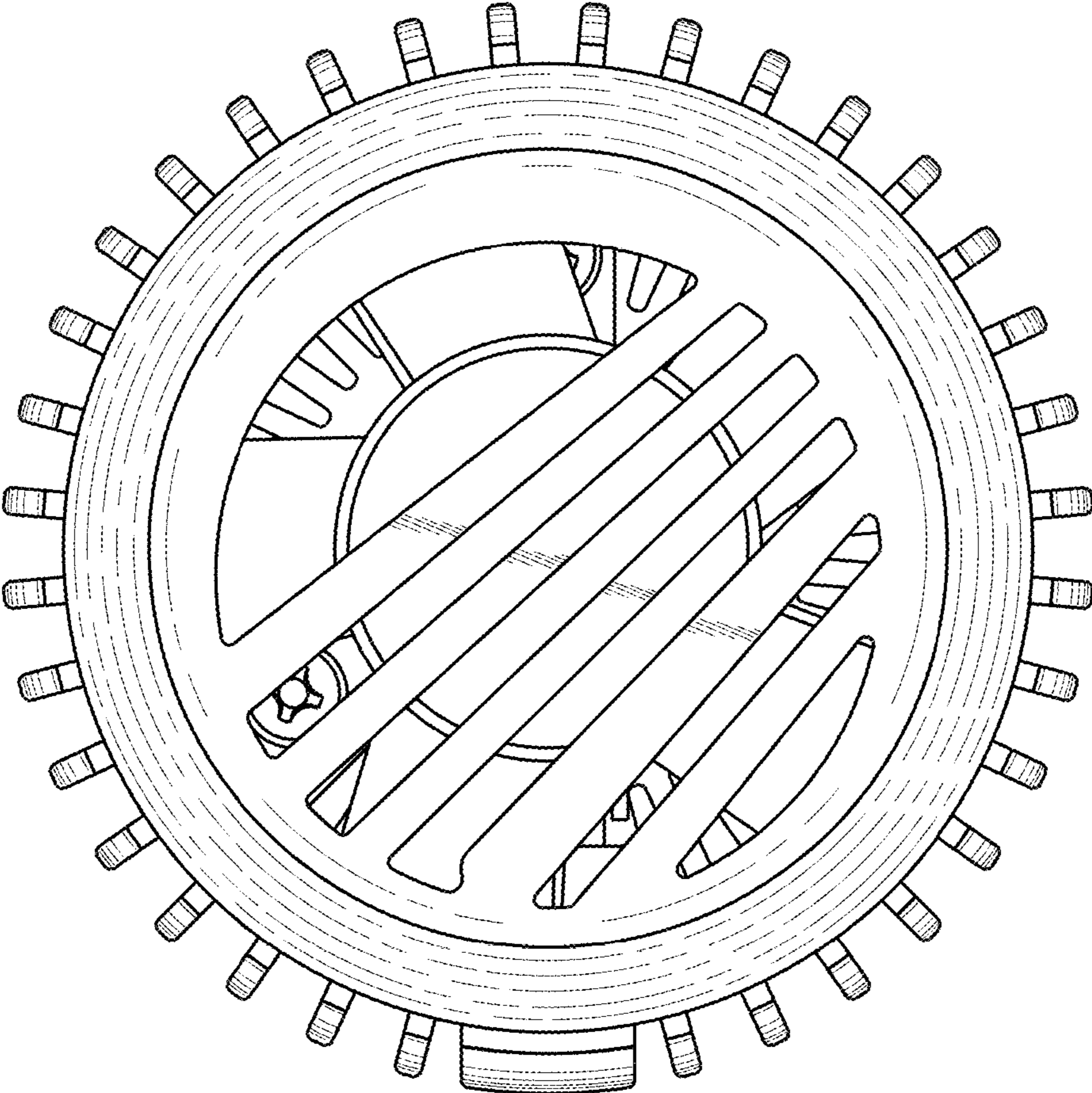


FIG.6

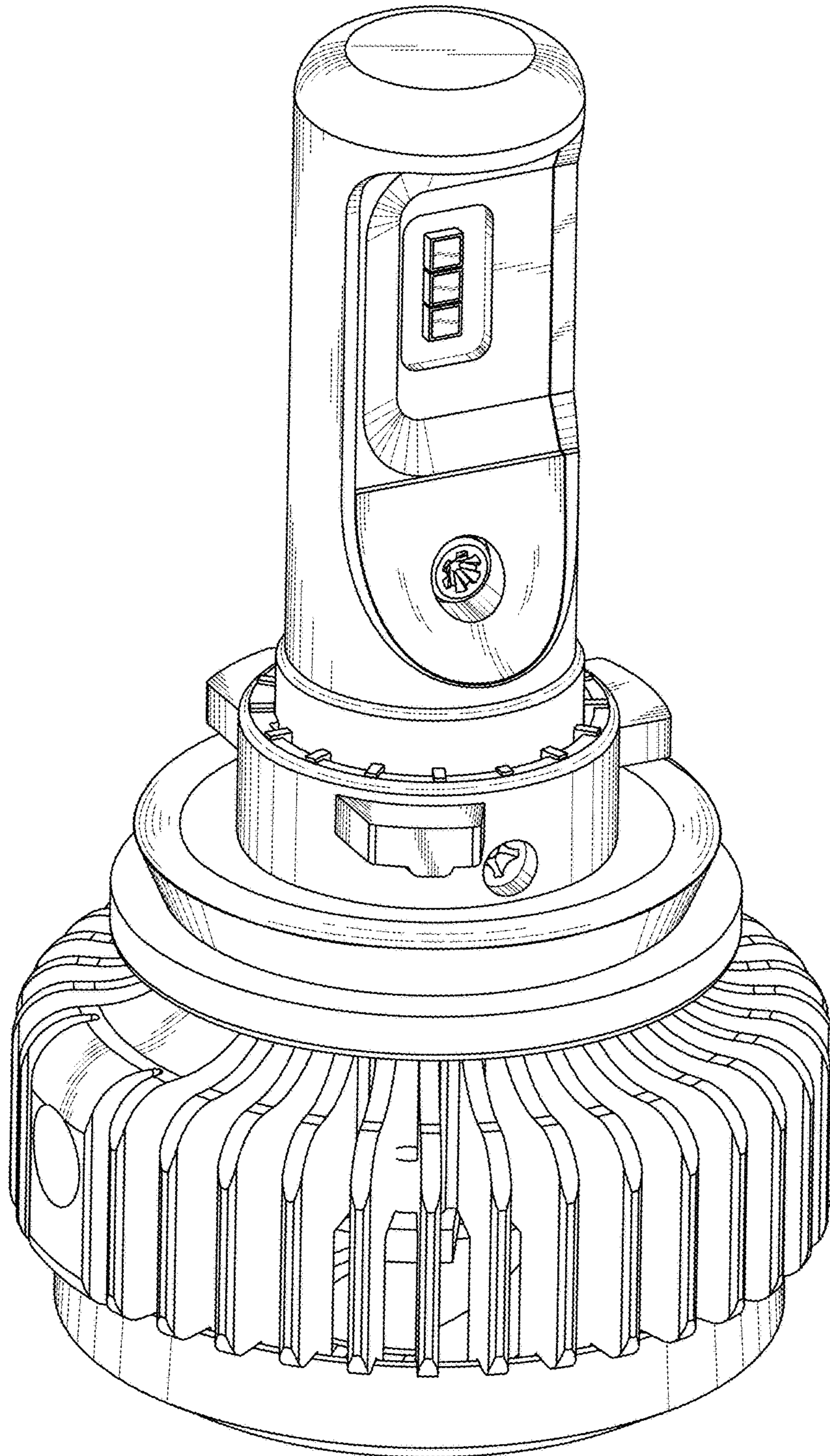


FIG.7

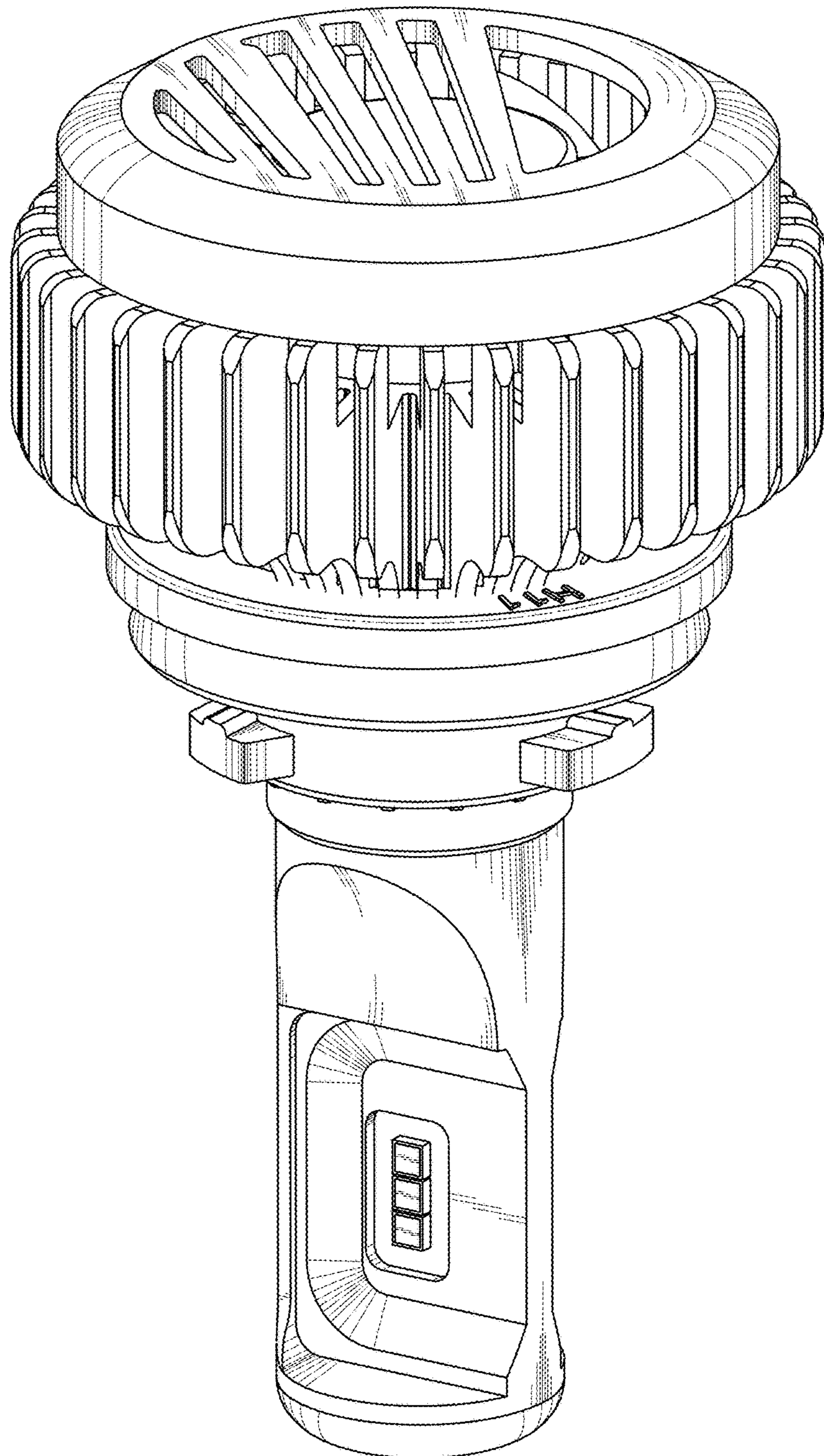


FIG.8