

US00D825084S

(12) **United States Design Patent**  
**Haizuka et al.**

(10) **Patent No.:** **US D825,084 S**

(45) **Date of Patent:** **\*\* Aug. 7, 2018**

(54) **HEADLIGHT FOR A MOTOR VEHICLE**

(71) Applicant: **Mazda Motor Corporation**, Hiroshima (JP)

(72) Inventors: **Rikuto Haizuka**, Hiroshima (JP);  
**Atsushi Yoshida**, Hiroshima (JP);  
**Masanori Ito**, Hiroshima (JP)

(73) Assignee: **MAZDA MOTOR CORPORATION**, Hiroshima (JP)

(\*\*) Term: **15 Years**

(21) Appl. No.: **29/606,917**

(22) Filed: **Jun. 8, 2017**

(51) **LOC (11) Cl.** ..... **26-06**

(52) **U.S. Cl.**  
USPC ..... **D26/28**

(58) **Field of Classification Search**  
USPC ..... D26/28-36; 362/80-83, 267-269,  
362/459-468, 475-478, 485-487  
CPC ..... F21S 48/00; F21S 48/10; F21S 48/115;  
F21S 48/225; F21S 48/1233; F21S  
48/1266; F21S 48/1388; F21S 48/2268;  
F21V 21/04  
See application file for complete search history.

(56) **References Cited**

**U.S. PATENT DOCUMENTS**

D528,685 S \* 9/2006 Yoshida ..... D26/28  
D544,114 S \* 6/2007 Ohta ..... D26/28

D560,291 S \* 1/2008 Koyama ..... D26/28  
D561,358 S \* 2/2008 Tachibana ..... D26/28  
D597,232 S \* 7/2009 Hanaoka ..... D26/28  
D708,366 S 7/2014 Minamisawa et al.  
D708,767 S 7/2014 Minaminsawa et al.  
D726,353 S \* 4/2015 Yagihashi ..... D26/28  
D745,723 S 12/2015 Yoshida et al.

\* cited by examiner

*Primary Examiner* — Marcus Jackson

(74) *Attorney, Agent, or Firm* — Studebaker & Brackett PC

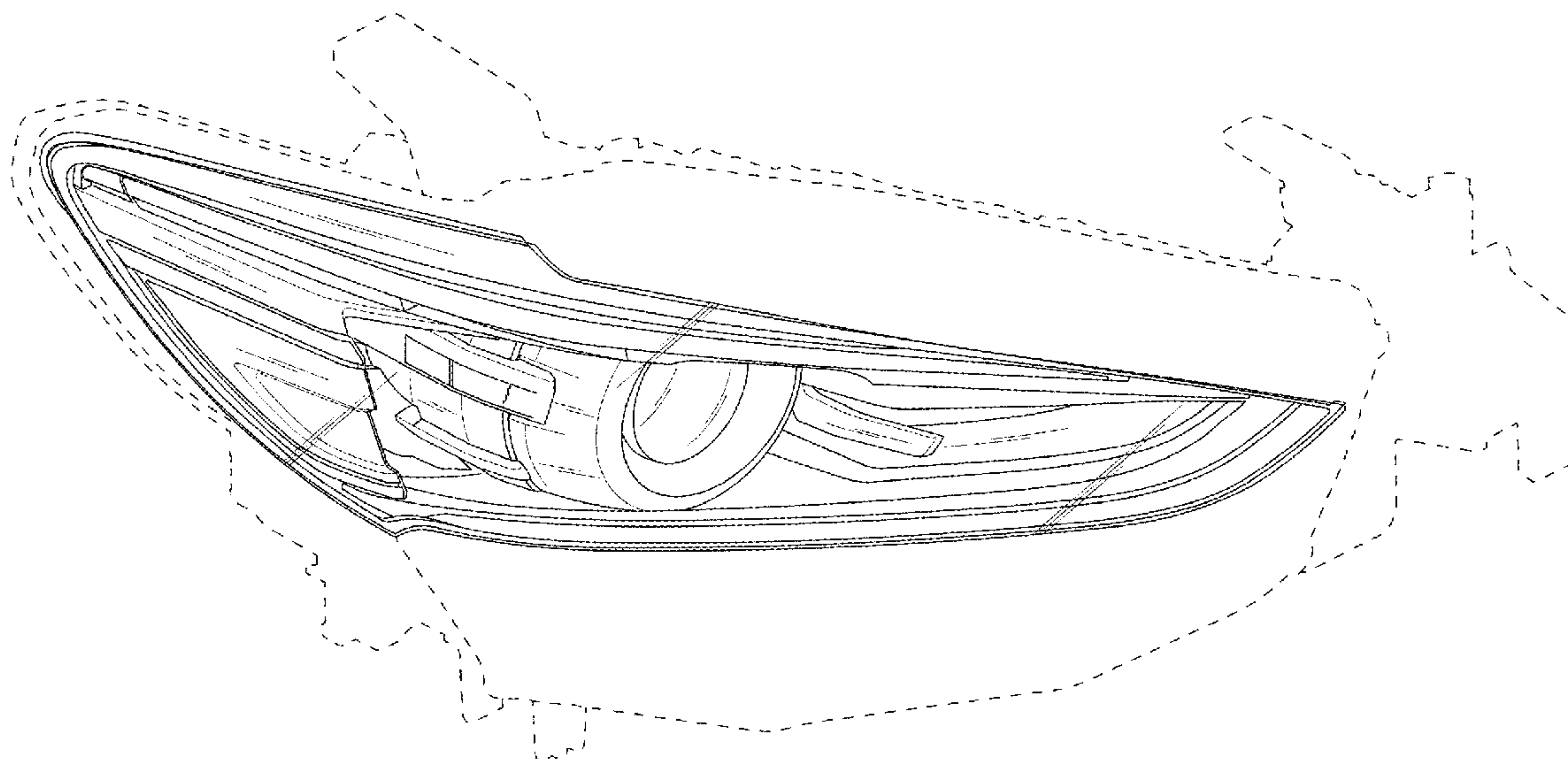
(57) **CLAIM**

The ornamental design for a headlight for a motor vehicle, as shown and described.

**DESCRIPTION**

FIG. 1 is a first perspective view of a headlight for a motor vehicle;  
FIG. 2 is a second perspective view thereof;  
FIG. 3 is a front view thereof;  
FIG. 4 is a left side view thereof; and,  
FIG. 5 is a top view thereof.  
The broken lines depict portions of the headlight for a motor vehicle in which the design is embodied that are not considered part of the claimed design.

**1 Claim, 5 Drawing Sheets**



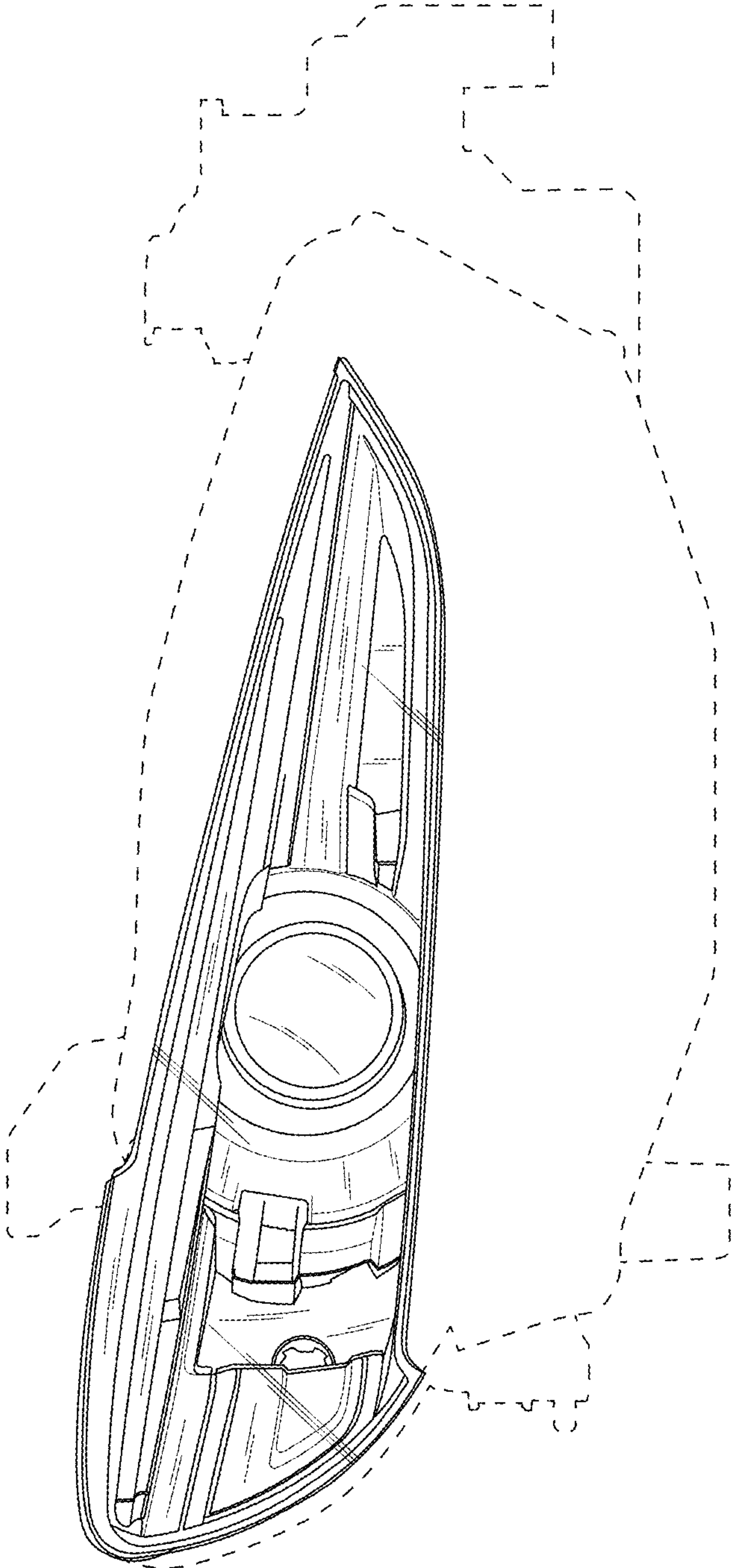


FIG.1

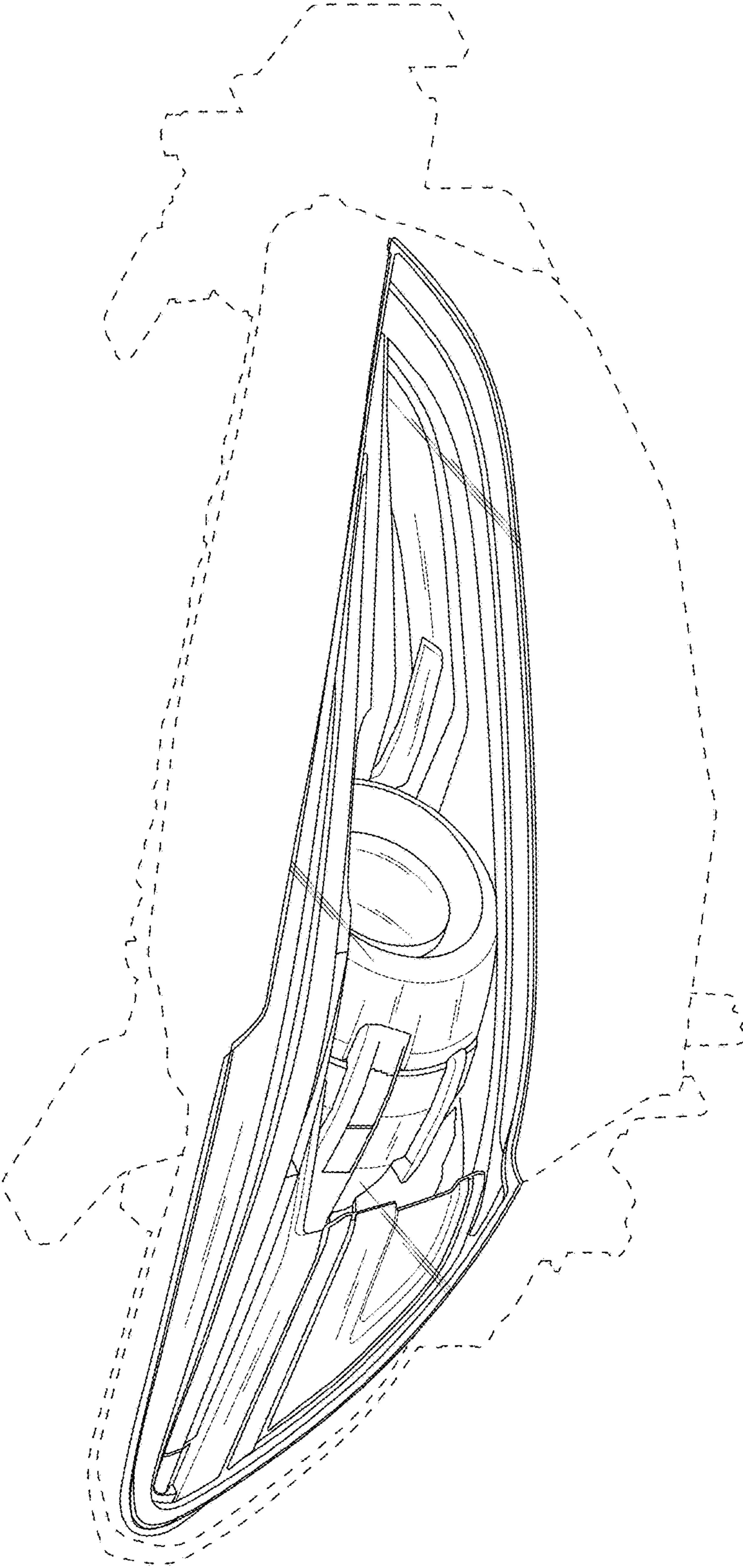


FIG.2

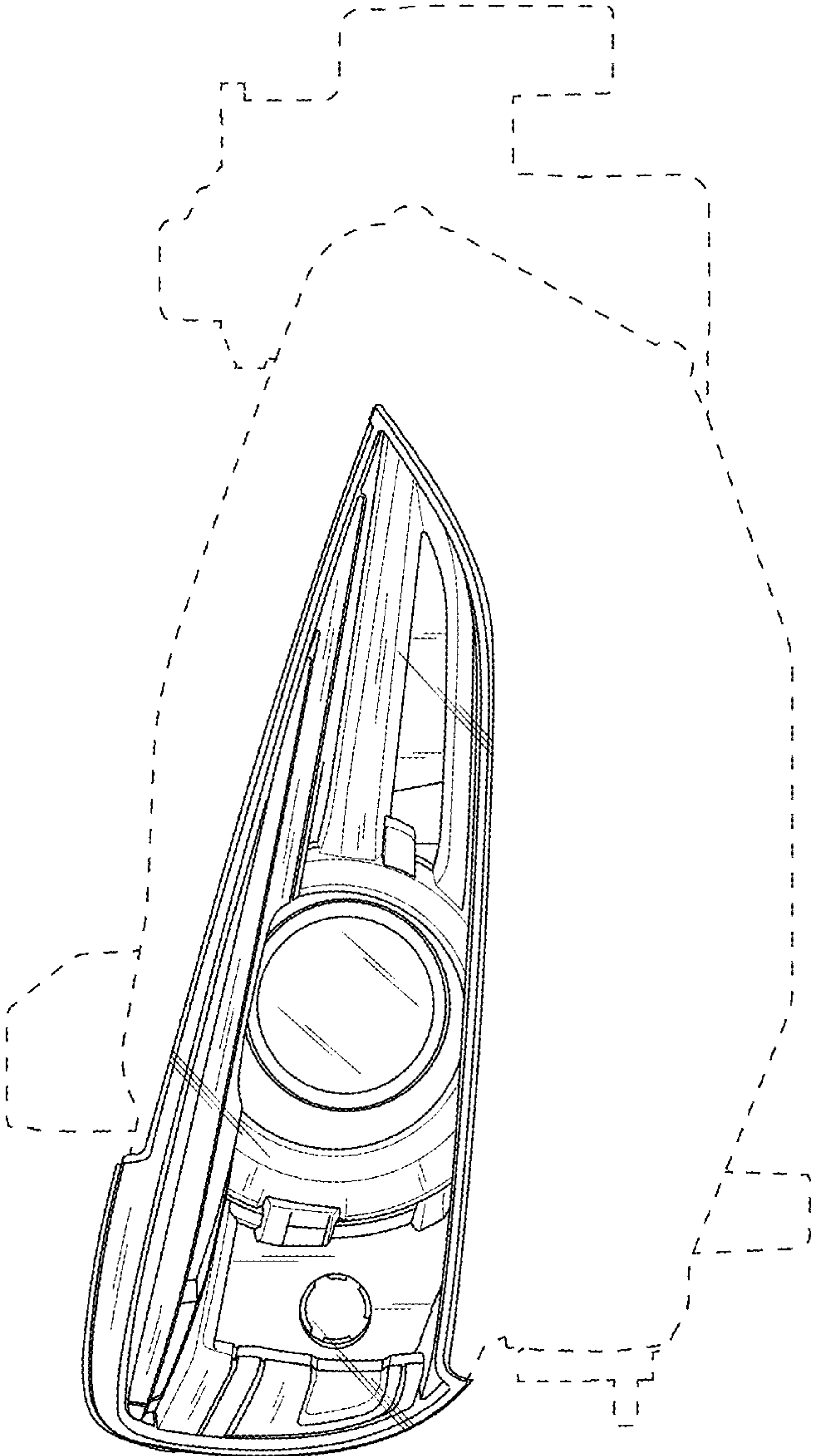


FIG. 3



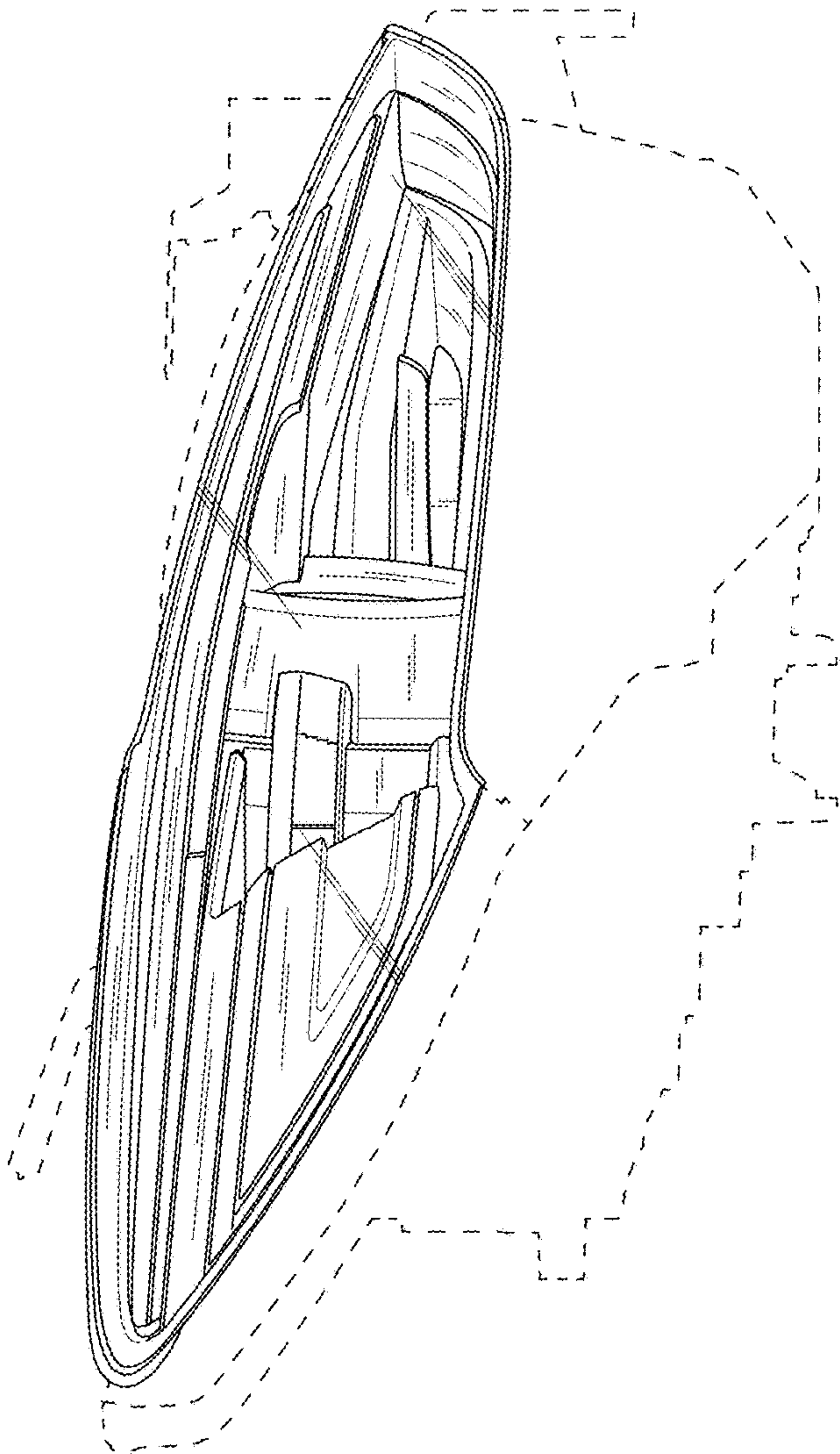


FIG.4



FIG.5