



US00D825080S

(12) **United States Design Patent**
Albertyn et al.

(10) **Patent No.:** **US D825,080 S**
(45) **Date of Patent:** **** Aug. 7, 2018**

- (54) **POLE STEP**
- (71) Applicant: **Western Utility Solutions, Inc.**, Ladera Ranch, CA (US)
- (72) Inventors: **Greg Albertyn**, Ladera Ranch, CA (US); **Jan F. Kennerly, Jr.**, Ladera Ranch, CA (US)
- (73) Assignee: **Western Utility Solutions, Inc.**, Ladera Ranch, CA (US)
- (**) Term: **15 Years**
- (21) Appl. No.: **29/575,204**
- (22) Filed: **Aug. 23, 2016**
- (51) **LOC (11) Cl.** **25-04**
- (52) **U.S. Cl.**
USPC **D25/69**
- (58) **Field of Classification Search**
USPC D8/349, 354, 356, 363, 364, 380-383, D8/394, 397, 399, 395, 303, 107; D12/202; 248/218.4, 163.1; 182/92, 182/133; D25/69; D10/74
CPC A01K 1/04; F16L 3/1008; F16M 13/02; E04H 12/08; G01C 15/06; E06C 1/34; E04G 5/06
See application file for complete search history.

- 5,806,628 A * 9/1998 Fullam E04G 5/06 182/133
- D406,906 S * 3/1999 Kinoshita D25/69
- 5,941,485 A * 8/1999 Davidson E04H 12/08 248/218.4
- D579,360 S * 10/2008 Crain D10/74
- D655,597 S * 3/2012 Matzek D25/69
- D657,217 S * 4/2012 Chang D8/107
- 2002/0066620 A1 * 6/2002 Lindsey E06C 1/34 182/92
- 2005/0151035 A1 * 7/2005 Crain G01C 15/06 248/163.1

* cited by examiner

Primary Examiner — Cynthia Ramirez
Assistant Examiner — Michael A Maharajh
(74) *Attorney, Agent, or Firm* — Knobbe Martens Olson & Bear, LLP

(57) **CLAIM**

The ornamental design for a pole step, as shown and described.

DESCRIPTION

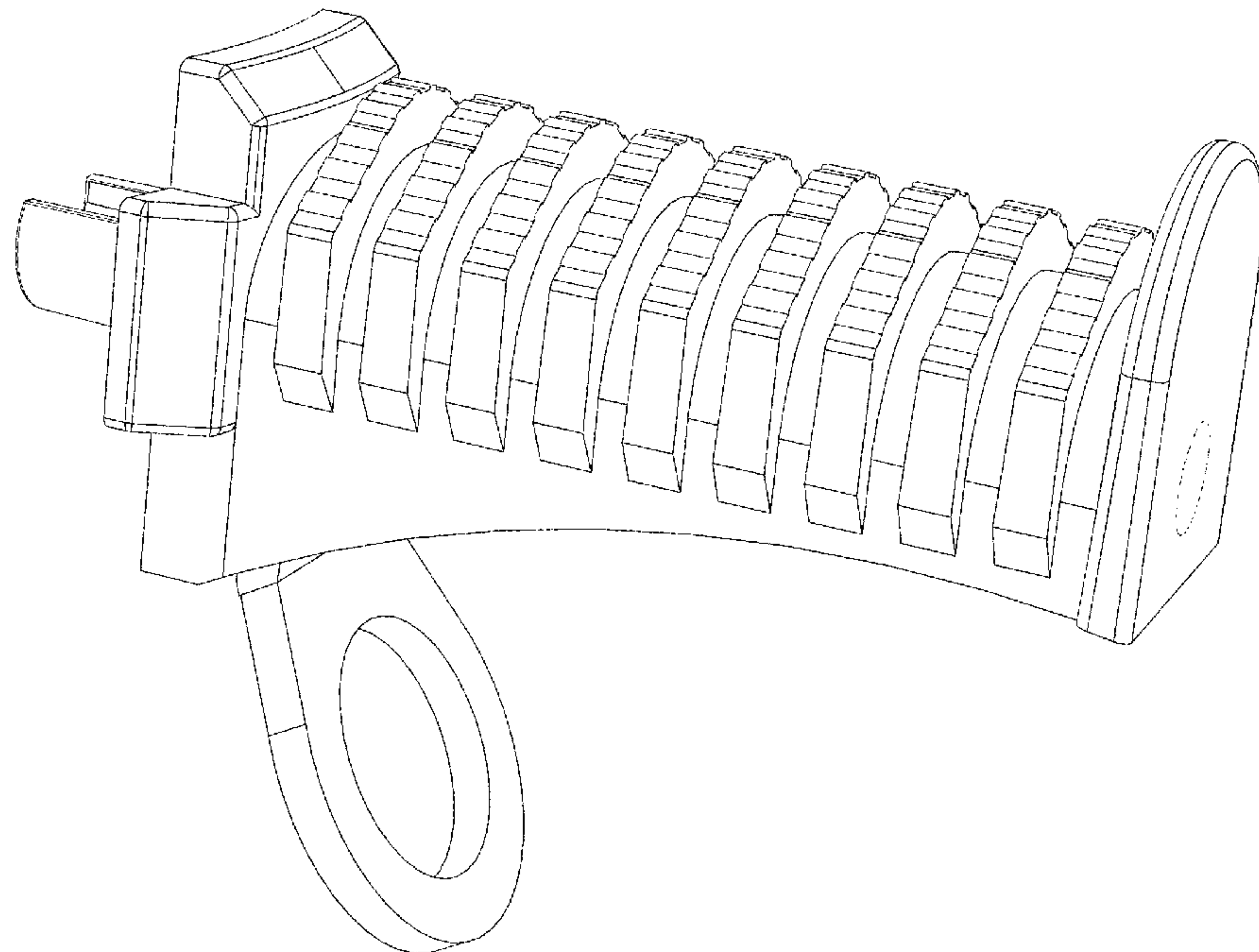
FIG. 1 is a front perspective view of a pole step showing my new design.
FIG. 2 is a perspective view showing a bottom surface of the pole step of FIG. 1.
FIG. 3 is a right side view of the pole step of FIG. 1.
FIG. 4 is a left side view of the pole step of FIG. 1.
FIG. 5 is a rear view of the pole step of FIG. 1.
FIG. 6 is a front view of the pole step of FIG. 1.
FIG. 7 is a top view of the pole step of FIG. 1; and, FIG. 8 is a bottom view of the pole step of FIG. 1.
The broken lines in the figures are for the purpose of illustrating portions of the pole step which form no part of the claimed design.

1 Claim, 7 Drawing Sheets

(56) **References Cited**

U.S. PATENT DOCUMENTS

- D100,223 S * 6/1936 Morgan D8/303
- D362,382 S * 9/1995 Cloud D8/354
- D368,422 S * 4/1996 Jensen D8/354



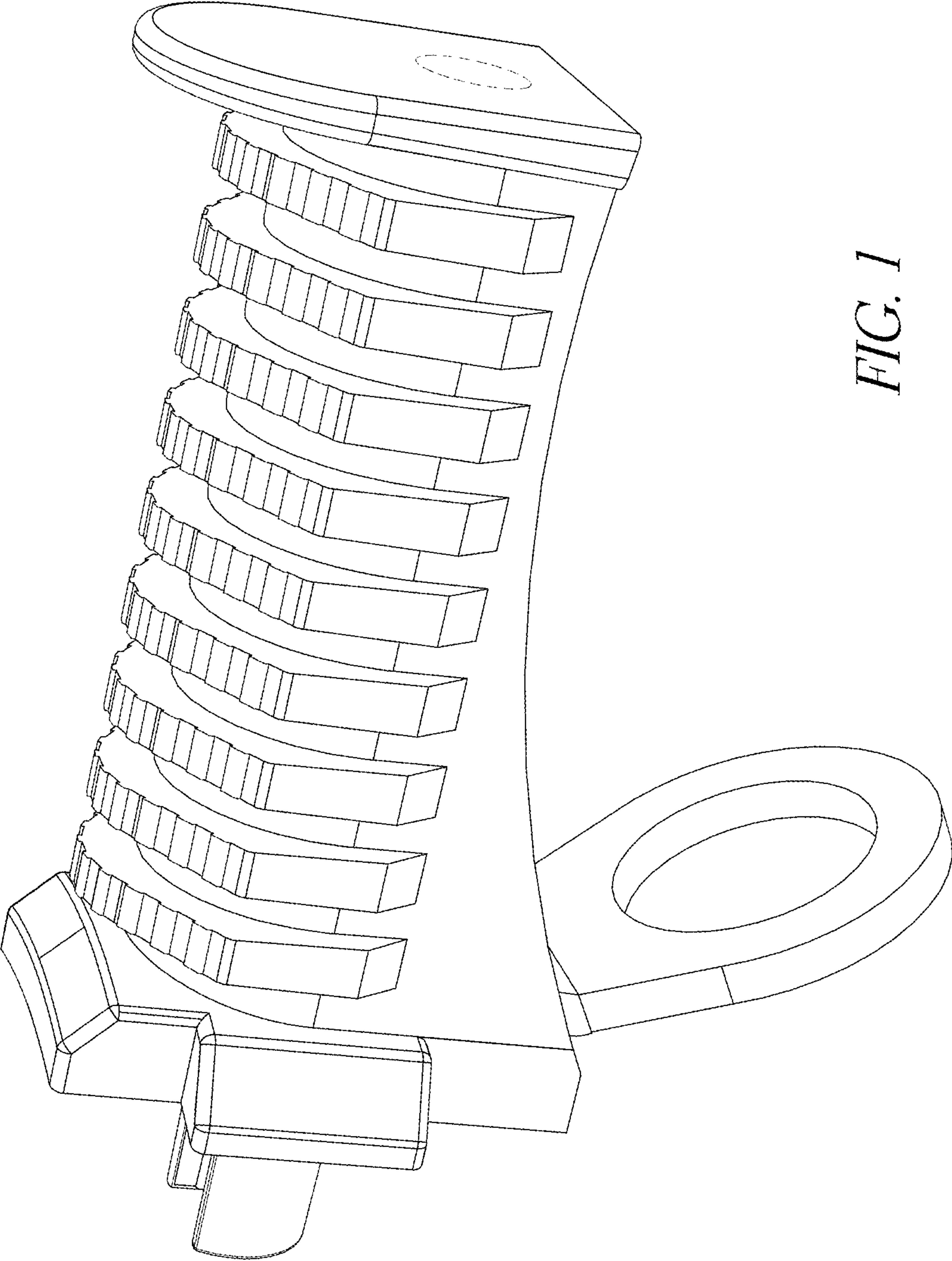


FIG. 1

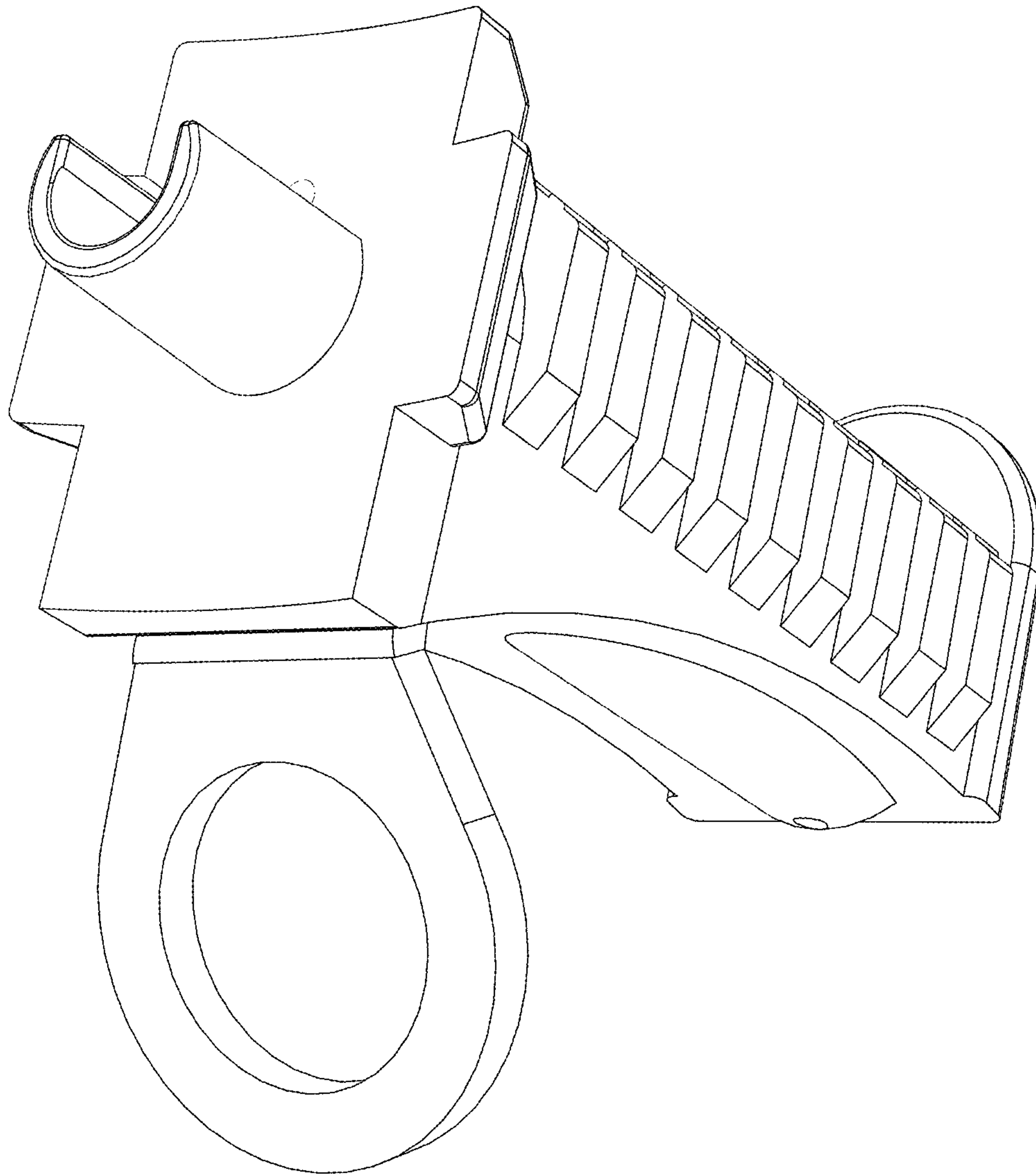


FIG. 2

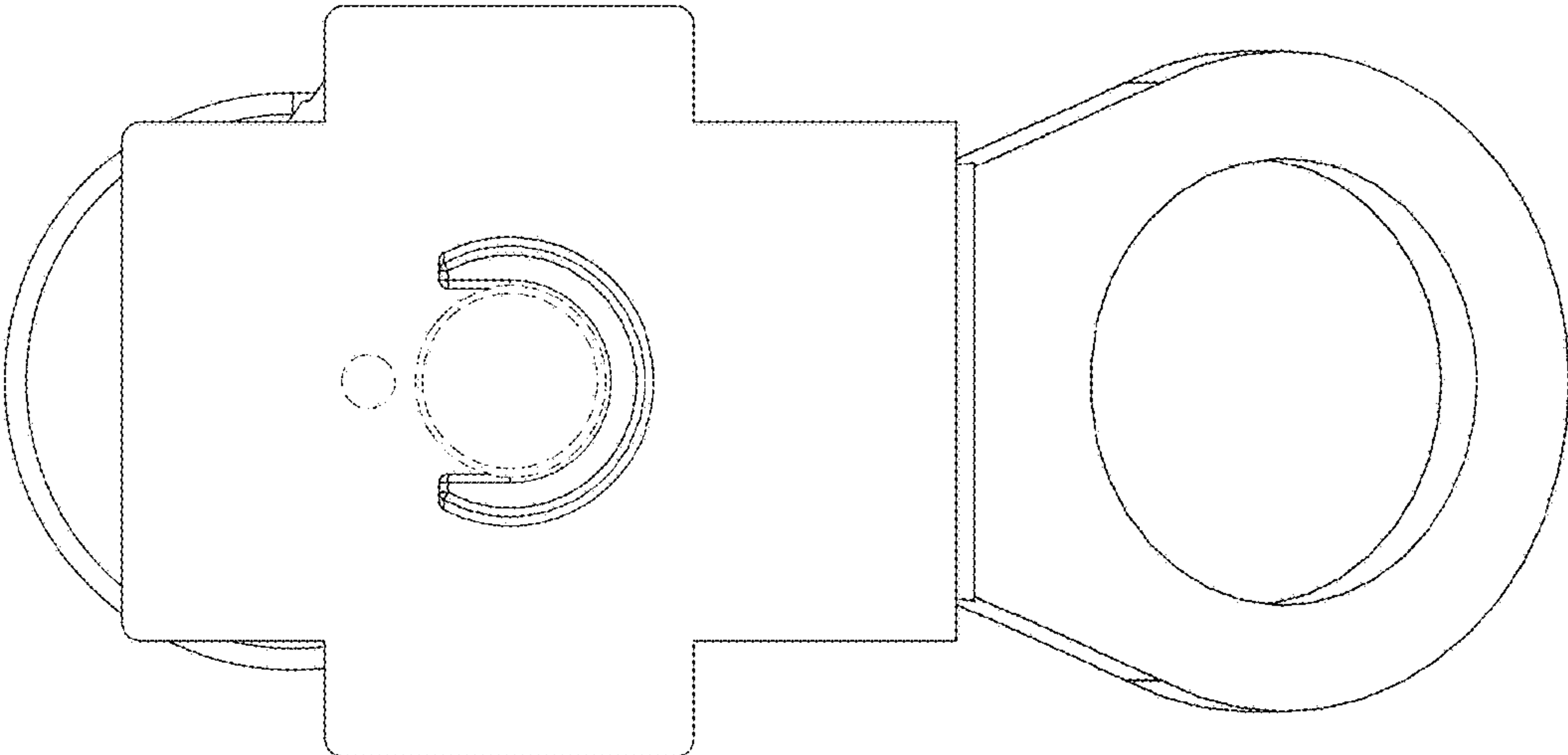


FIG. 3

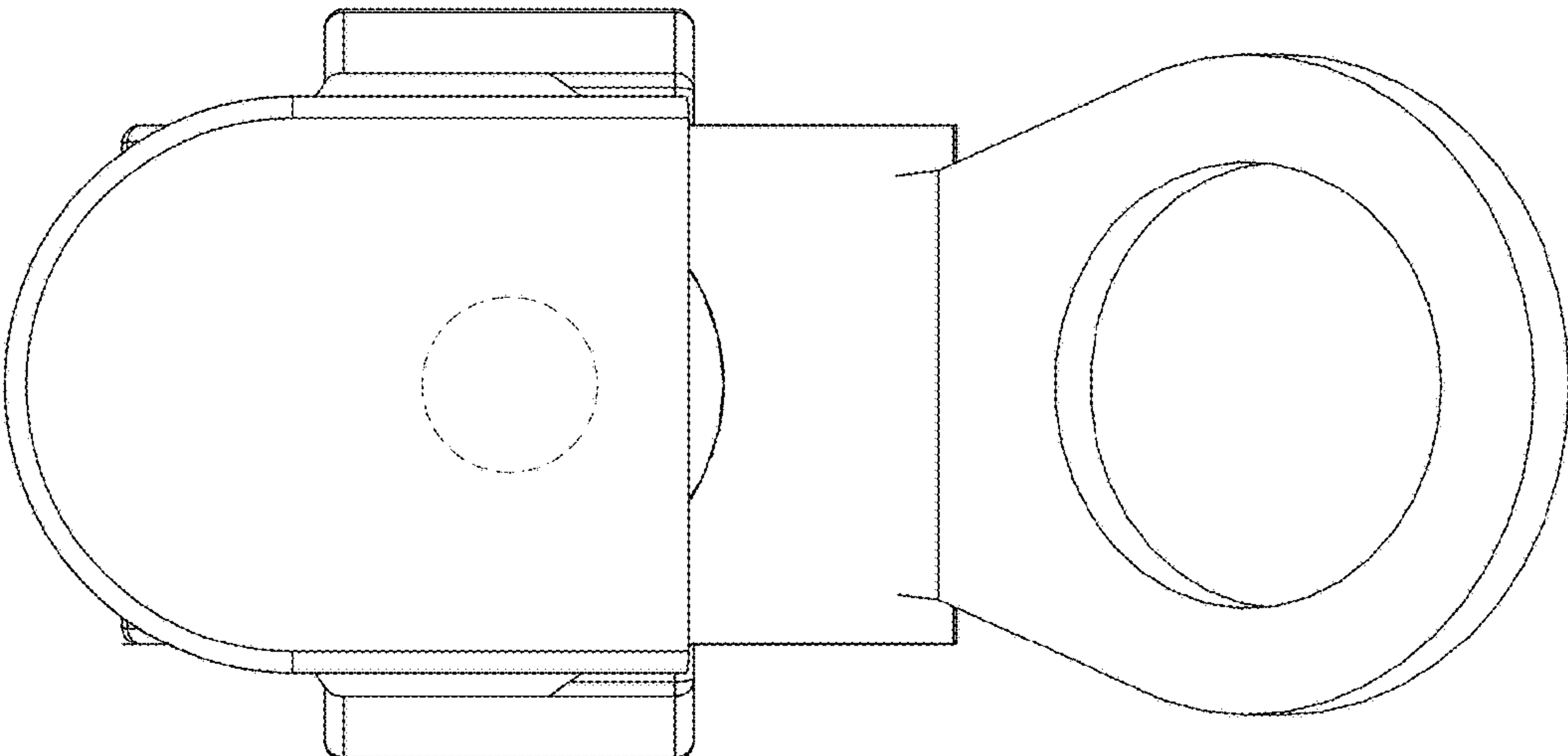


FIG. 4

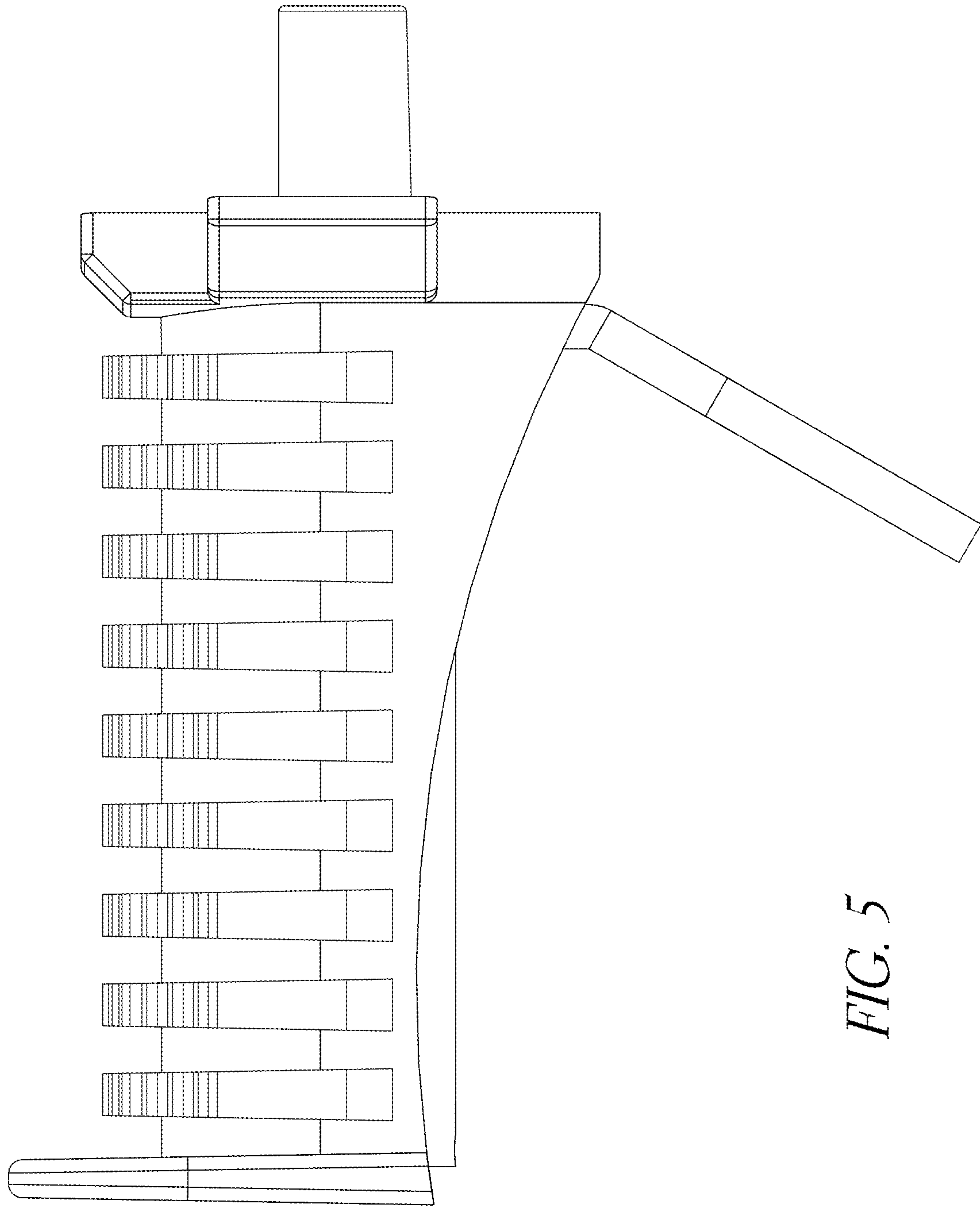


FIG. 5

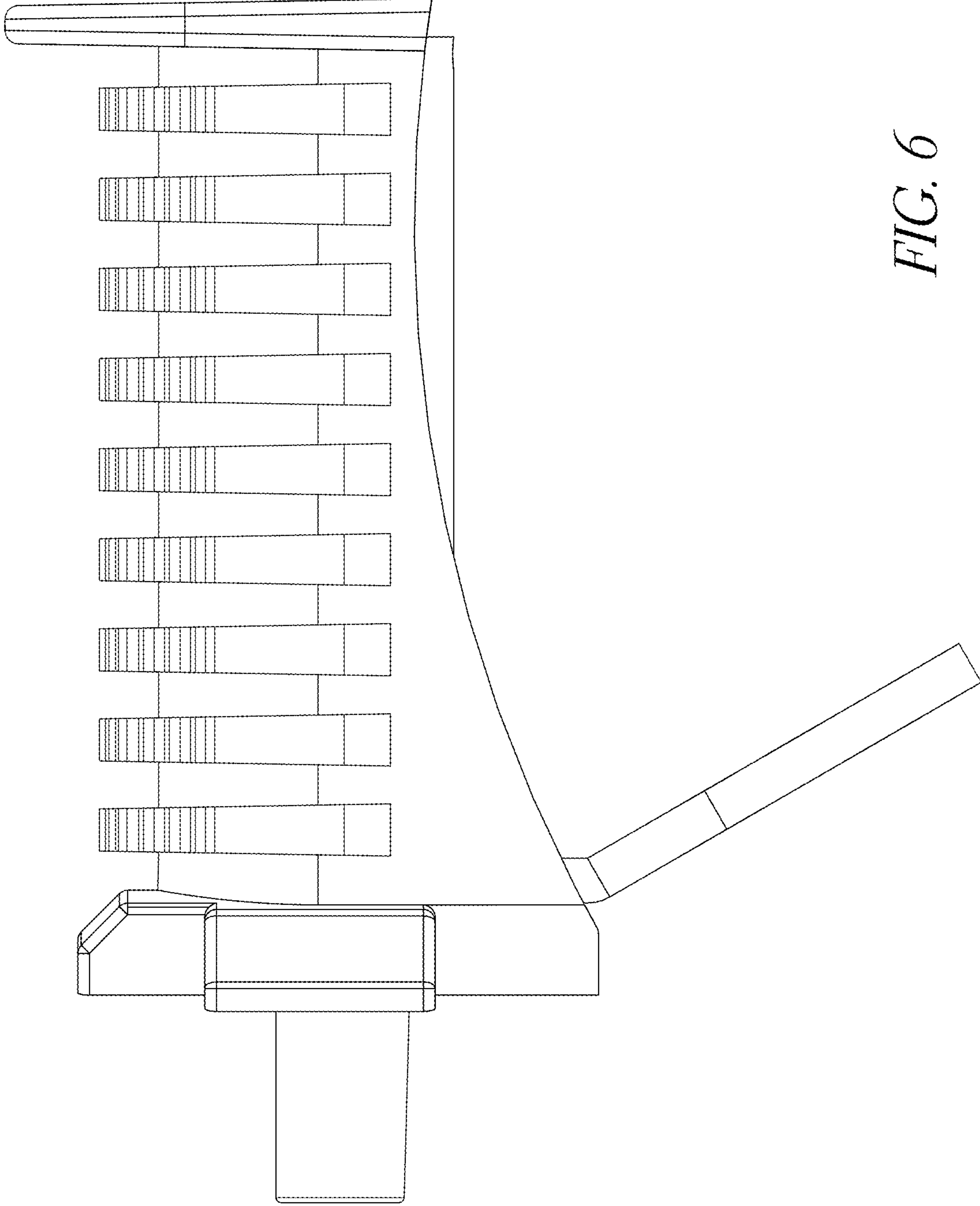


FIG. 6

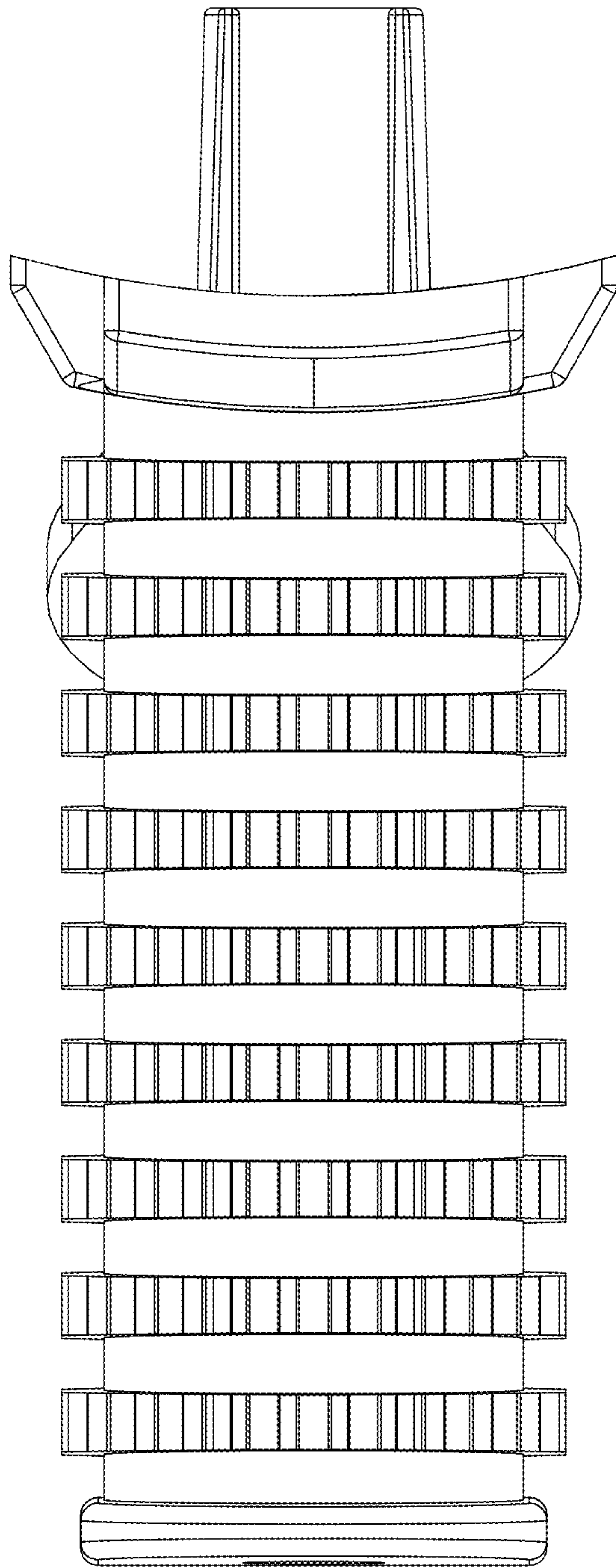


FIG. 7

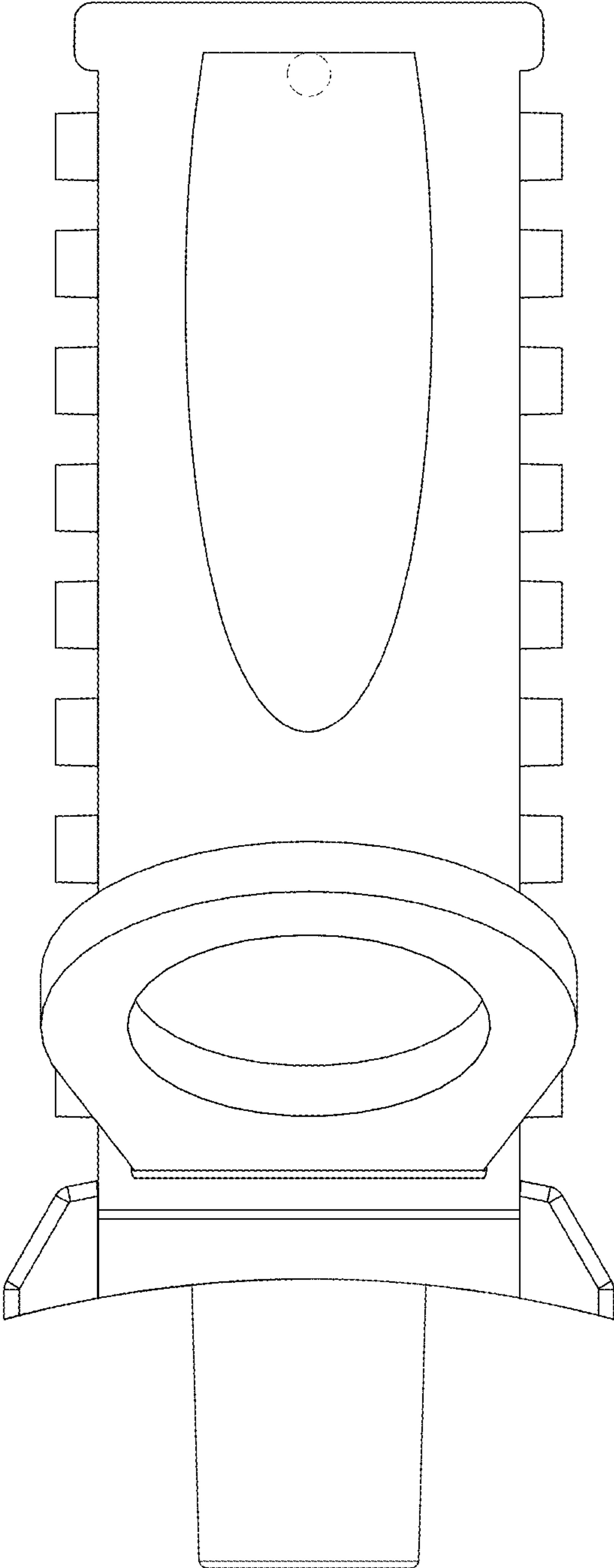


FIG. 8