



US00D825078S

(12) **United States Design Patent** (10) **Patent No.:** **US D825,078 S**
Osmus et al. (45) **Date of Patent:** **** Aug. 7, 2018**

(54) **SEQUENCING CARTRIDGE**

(71) Applicant: **Illumina, Inc.**, San Diego, CA (US)
(72) Inventors: **James Osmus**, San Diego, CA (US);
Richard Lemoine, San Diego, CA (US); **Anna Quackenbush**, San Diego, CA (US); **Scott Janis**, El Cerrito, CA (US); **Lea Sandra Kobeli**, San Francisco, CA (US)
(73) Assignee: **Illumina, Inc.**, San Diego, CA (US)
(**) Term: **15 Years**

(21) Appl. No.: **29/581,050**
(22) Filed: **Oct. 14, 2016**
(51) **LOC (11) Cl.** **24-99**
(52) **U.S. Cl.**
USPC **D24/232**
(58) **Field of Classification Search**
USPC D14/471, 483, 484; D18/12, 18, 36, 40, D18/43, 44, 56, 58, 99; D24/107, 108, D24/186, 216-219, 226, 227, 229, 231, D24/232, 233
CPC . B41J 2/17; B41J 2/1721; B41J 2/1572; B41J 2/1754; B41J 2/17503; B41J 2/17553; B41J 2/17556; B41J 2/16547; C12Q 1/6804; C12Q 1/6855; C12Q 1/6869
See application file for complete search history.

(56) **References Cited**

U.S. PATENT DOCUMENTS

D261,661 S * 11/1981 Charland D18/36
D378,832 S * 4/1997 Tashiro D18/56
8,075,089 B2 * 12/2011 Silverbrook B41J 2/16585
347/29

(Continued)

OTHER PUBLICATIONS

Sequencing Cartridge (available online) Retrieved from the internet Feb. 9, 2018, retrieved from the internet URL: www.illumina.com.*

Primary Examiner — Garth Rademaker
Assistant Examiner — Richard Kearney
(74) *Attorney, Agent, or Firm* — Knobbe Martens Olson & Bear LLP

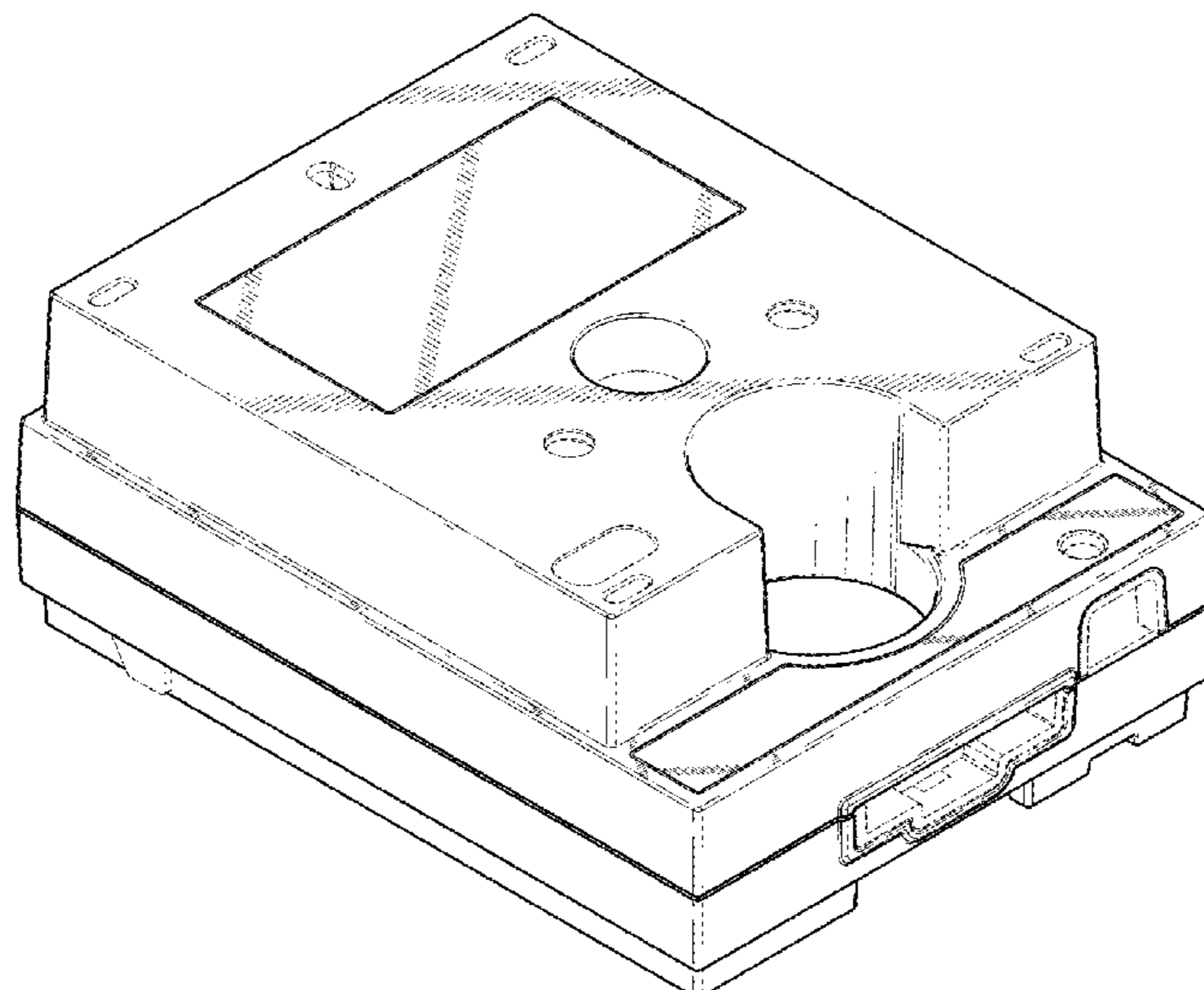
(57) **CLAIM**

The ornamental design for a sequencing cartridge, as shown and described.

DESCRIPTION

FIG. 1 is a top perspective view of a sequencing cartridge in accordance with the present invention.
FIG. 2 is a bottom perspective view of the sequencing cartridge of FIG. 1.
FIG. 3 is a left side view of the sequencing cartridge of FIG. 1.
FIG. 4 is a right side view of the sequencing cartridge of FIG. 1.
FIG. 5 is a rear view of the sequencing cartridge of FIG. 1.
FIG. 6 is a front view of the sequencing cartridge of FIG. 1.
FIG. 7 is a top view of the sequencing cartridge of FIG. 1.
FIG. 8 is a bottom view of the sequencing cartridge of FIG. 1.
FIG. 9 is an exploded perspective view of the sequencing cartridge of FIG. 1 and an insert shown in broken lines; and, FIG. 10 is a perspective view of the sequencing cartridge of FIG. 1 having an insert shown in broken lines inserted therein.
The broken lines showing an insert in FIGS. 9 and 10 illustrate environmental structure and form no part of the claimed design. All other broken lines illustrate features of the sequencing cartridge which form no part of the claimed design.

1 Claim, 6 Drawing Sheets



(56)

References Cited

U.S. PATENT DOCUMENTS

D665,020 S * 8/2012 Sodeyama D18/56
D679,752 S * 4/2013 Hutchison D18/56
D729,405 S * 5/2015 Ramstad D24/233
D748,797 S * 2/2016 Patil D24/158
D762,769 S * 8/2016 Oya D18/56
D774,206 S * 12/2016 Boo D24/232
D794,211 S * 8/2017 Ang D24/232
D806,890 S * 1/2018 Williams D24/216
2015/0361488 A1 * 12/2015 Schultz G01N 35/1095
506/6
2017/0130260 A1 * 5/2017 Rigatti C12Q 1/6806
2017/0153203 A1 * 6/2017 Frazier G01N 27/44721
2017/0199210 A1 * 7/2017 Ang G01N 35/00029
2017/0246635 A1 * 8/2017 Buermann B01L 3/527

* cited by examiner

FIG. 1

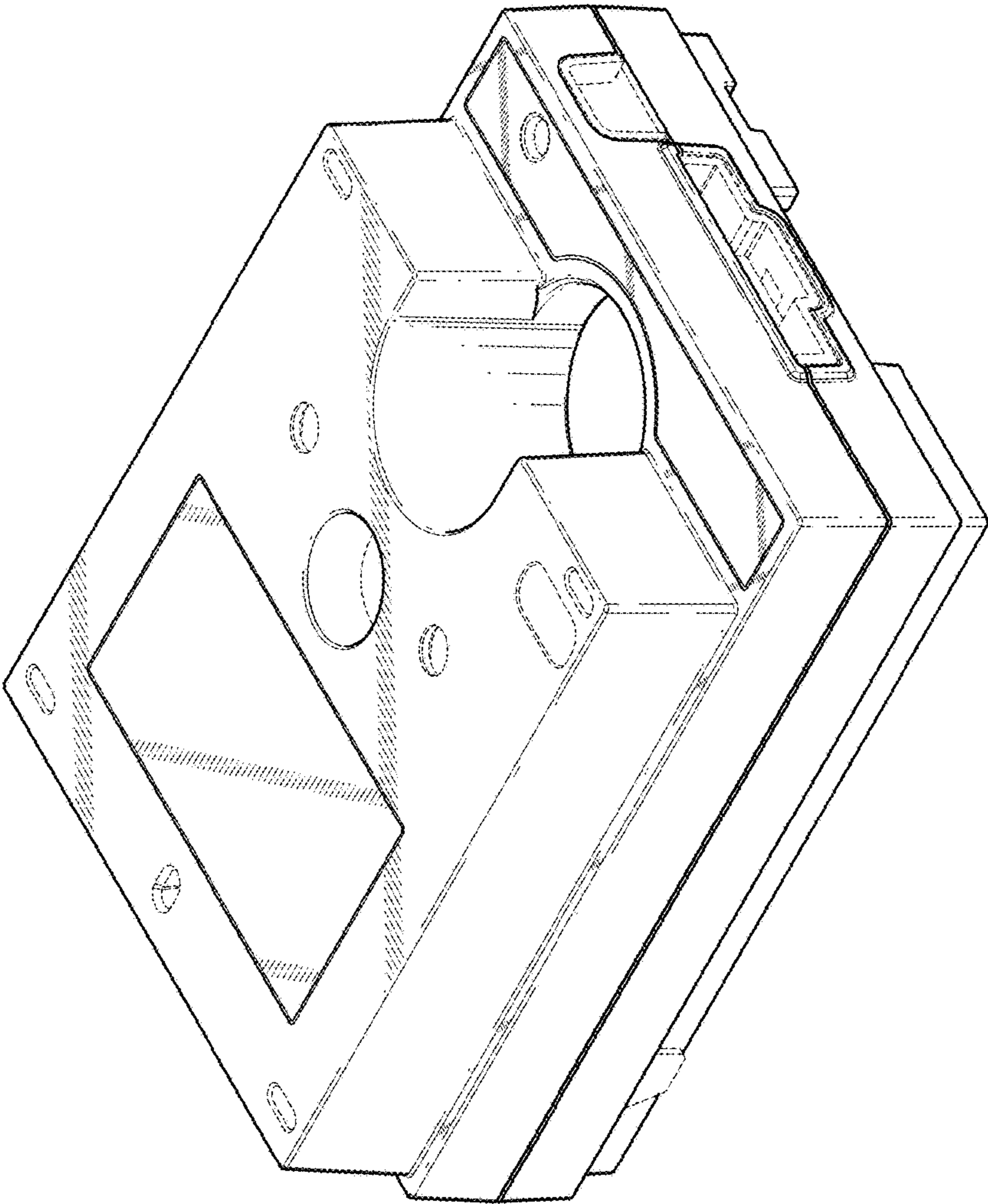
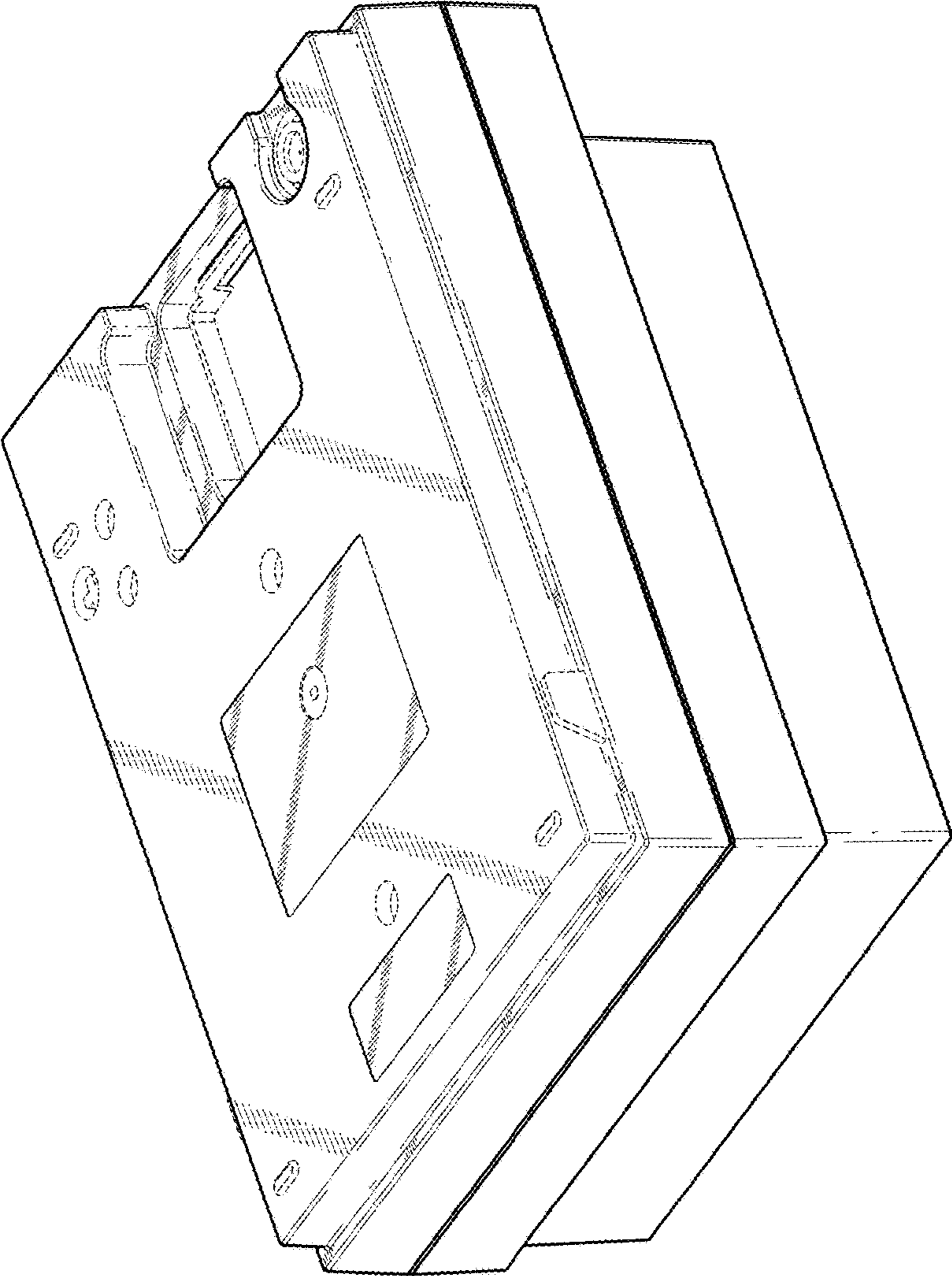


FIG. 2



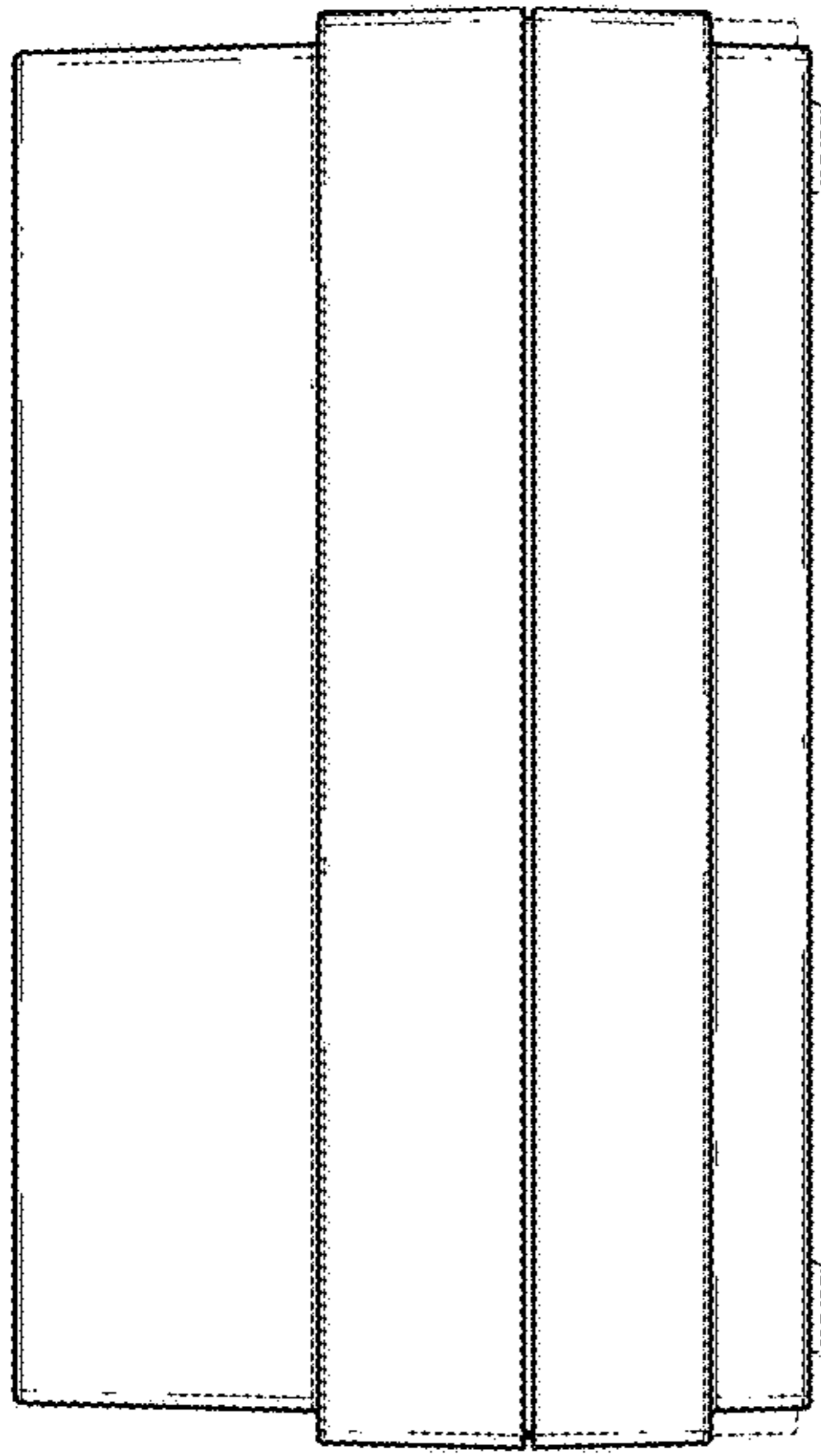


FIG. 5

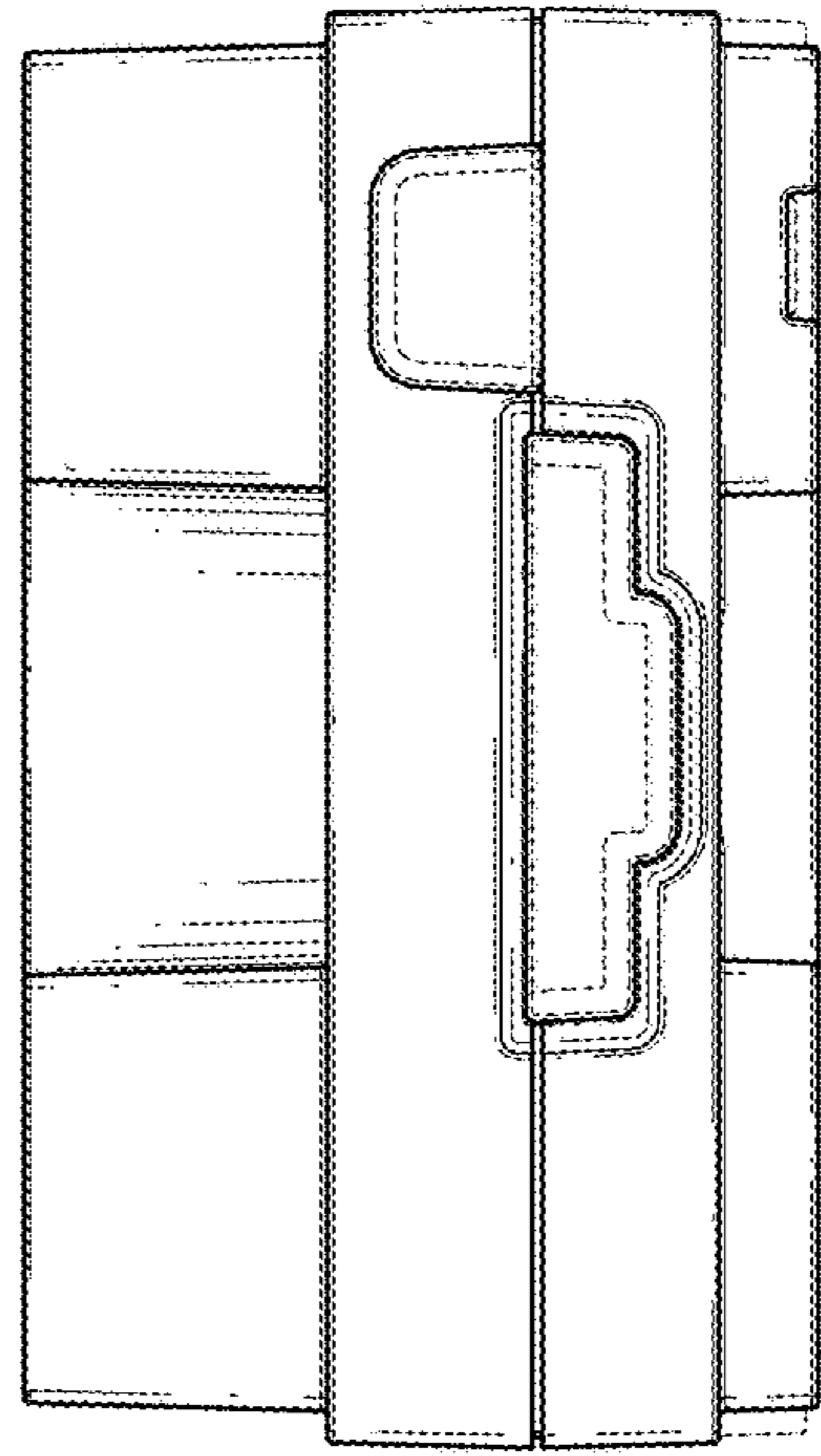


FIG. 6

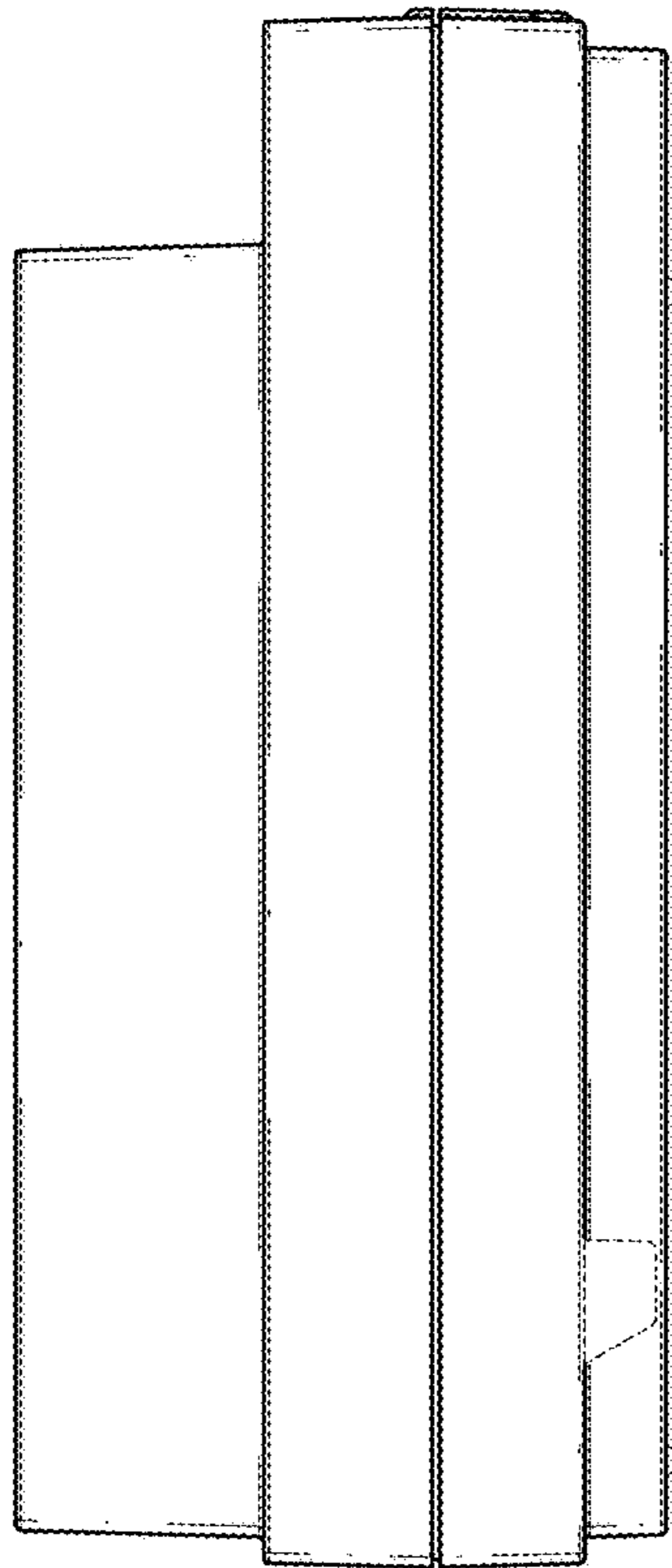


FIG. 3

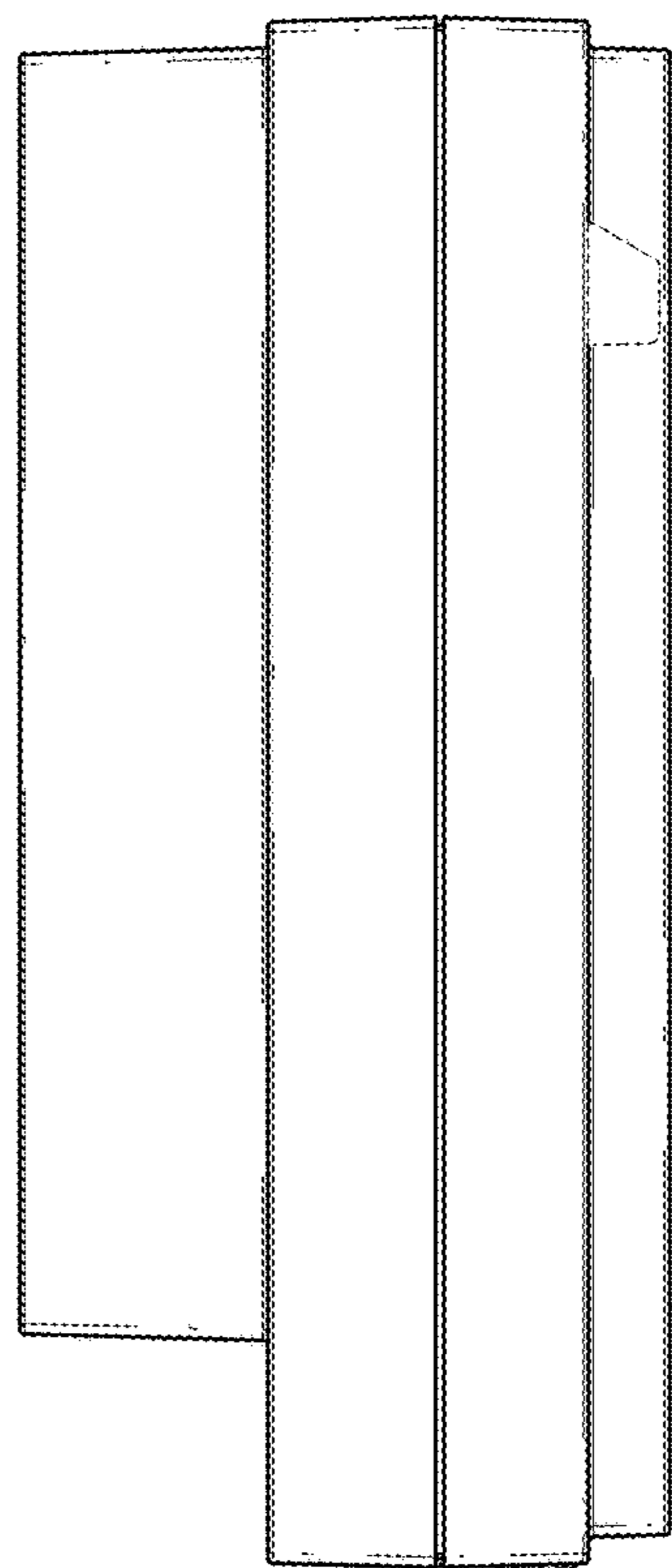


FIG. 4

FIG. 8

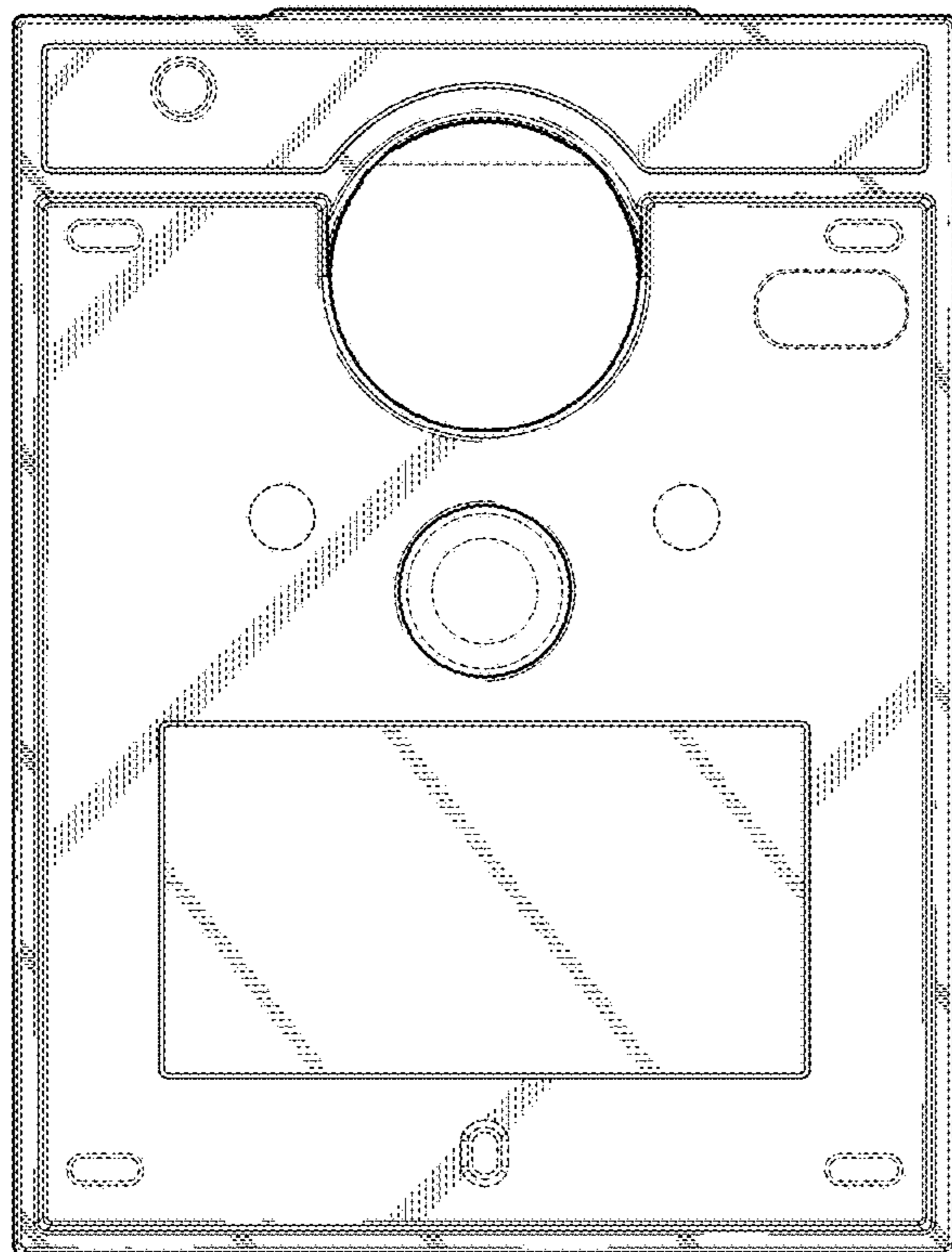
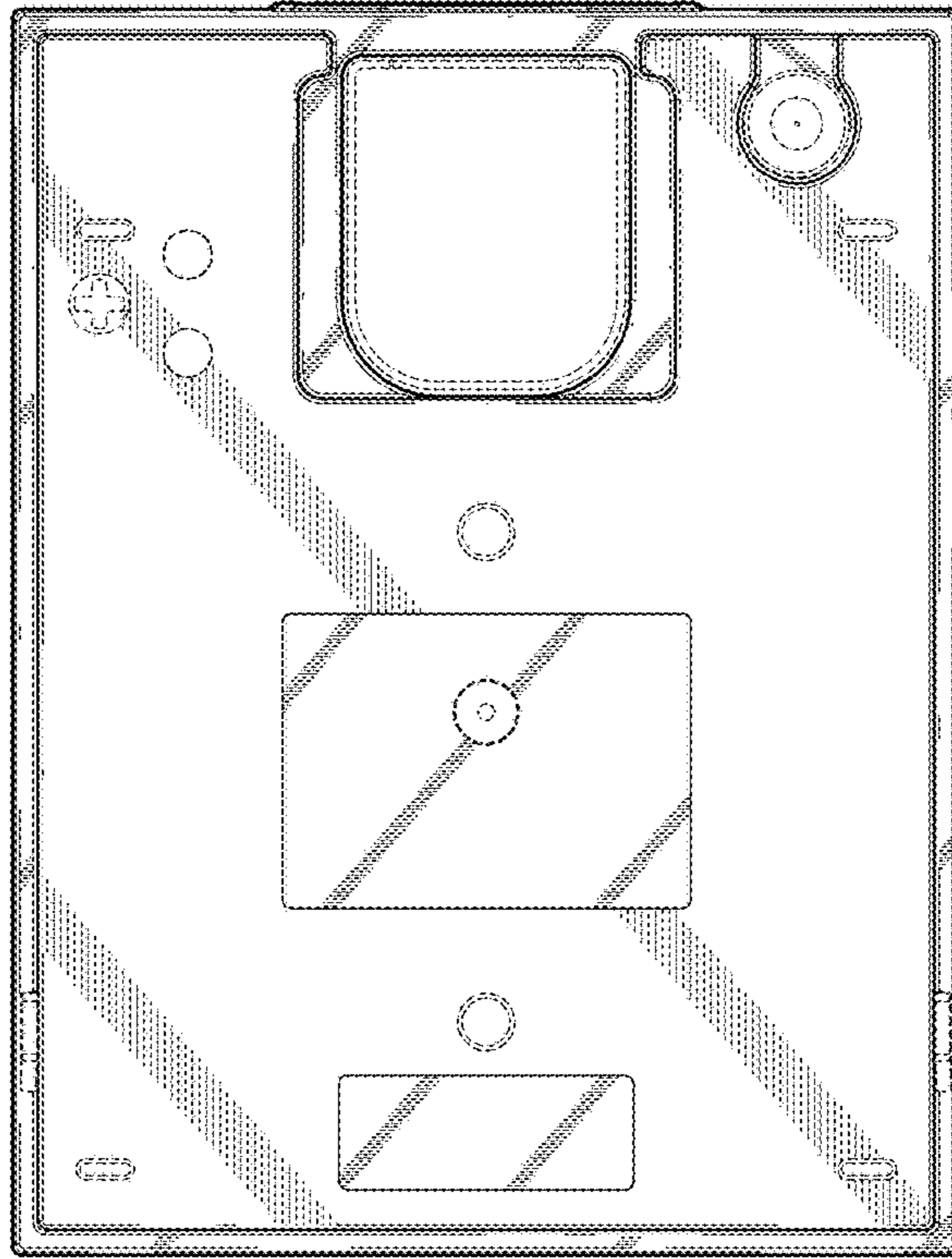


FIG. 7

FIG. 9

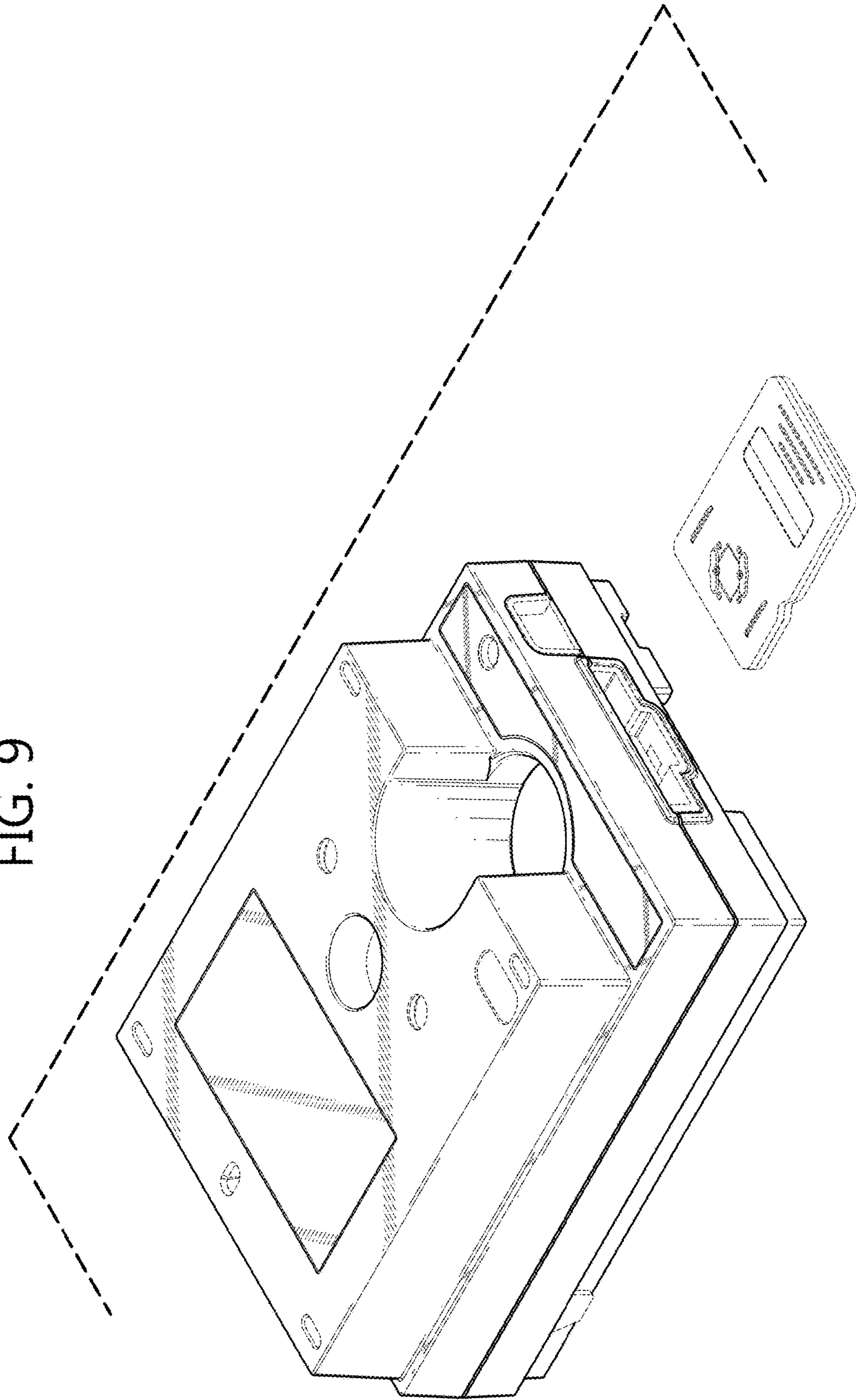


FIG. 10

