



US00D825075S

(12) **United States Design Patent** (10) **Patent No.:** **US D825,075 S**  
**Alderete et al.** (45) **Date of Patent:** **\*\* Aug. 7, 2018**

(54) **TEST STRIP HOLDING DEVICE**

FOREIGN PATENT DOCUMENTS

(71) Applicant: **Flora Bioscience, Inc.**, Sunnyvale, CA (US)

AU 2002/248996 B2 9/2004  
CN 102680689 A 9/2012

(Continued)

(72) Inventors: **John Alderete**, Sunnyvale, CA (US);  
**Robert Francis Eisele**, Carlsbad, CA (US)

OTHER PUBLICATIONS

(73) Assignee: **Flora Bioscience, Inc.**, Sunnyvale, CA (US)

Notice to Grant issued in corresponding Japanese Application No. 2016-017811, dated Jan. 9, 2018 (3 pages).

(Continued)

(\*\*) Term: **15 Years**

*Primary Examiner* — Susan Bennett Hattan

*Assistant Examiner* — Rebecca Tsehaye

(21) Appl. No.: **29/555,624**

(74) *Attorney, Agent, or Firm* — Chamberlain, Hrdlicka, White, Williams, & Aughtry

(22) Filed: **Feb. 23, 2016**

(51) **LOC (11) Cl.** ..... **24-02**

(57) **CLAIM**

(52) **U.S. Cl.**  
USPC ..... **D24/224**

The ornamental design for a test strip holding device, as shown and described.

(58) **Field of Classification Search**  
USPC ..... D24/224, 216, 107, 225, 223;  
422/400-422; 600/584, 573, 300;  
436/807-809

**DESCRIPTION**

CPC ..... A61B 5/1422; A61B 5/14; A61B 5/00  
See application file for complete search history.

FIG. 1 is a top perspective view of a test strip holding device showing my new design;

FIG. 2 is a front view of the test strip holding device of FIG. 1;

FIG. 3 is a rear view of the test strip holding device of FIG. 1;

FIG. 4 is a side view of the test strip holding device of FIG. 1, the opposite side view being substantially identical;

FIG. 5 is a top view of the test strip holding device of FIG. 1;

FIG. 6 is a bottom view of the test strip holding device of FIG. 1; and,

FIG. 7 is a bottom perspective view of the test strip holding device of FIG. 1.

The broken lines depict unclaimed portions of the test strip holding device and form no part of the claimed design.

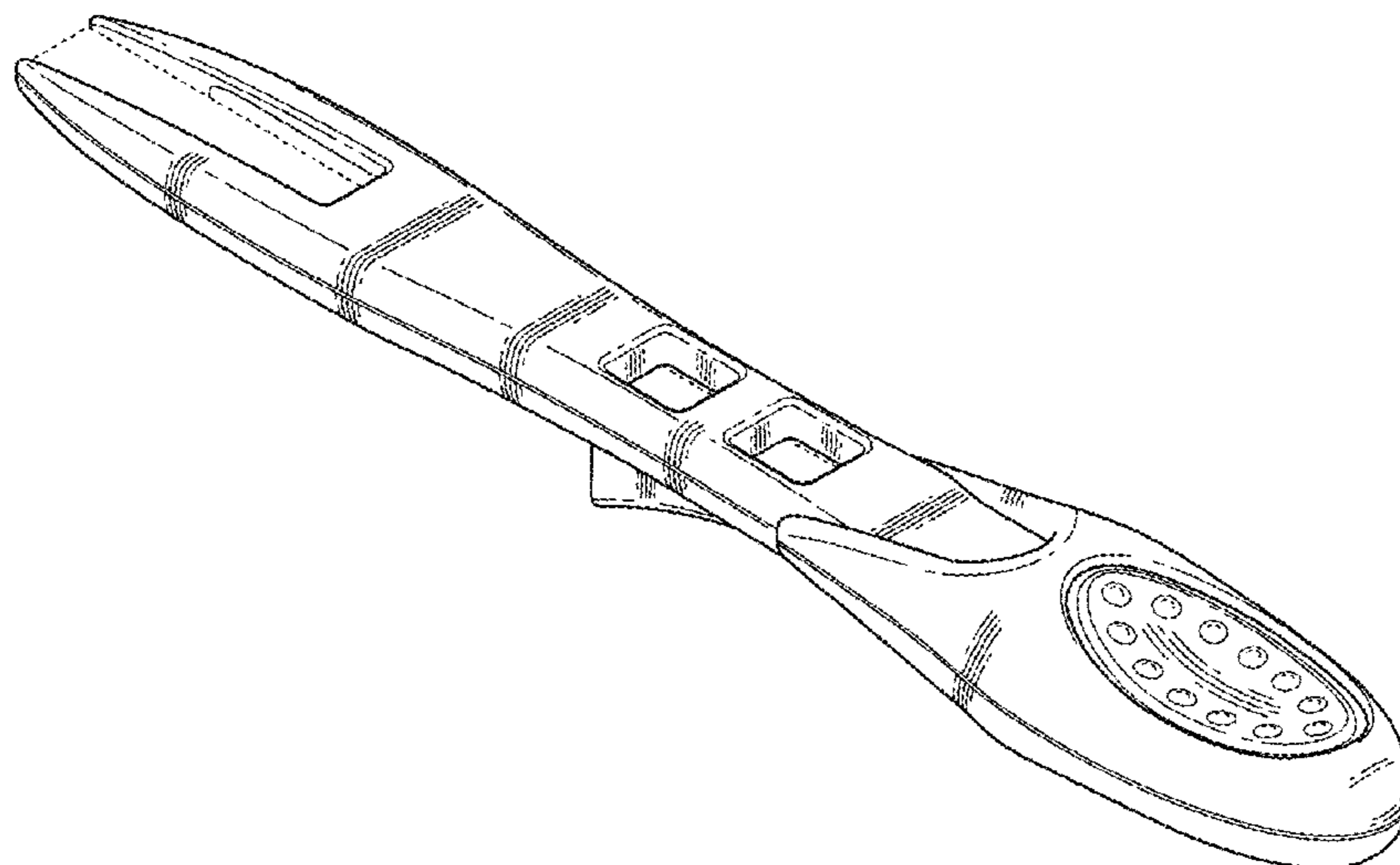
(56) **References Cited**

U.S. PATENT DOCUMENTS

4,855,240	A	8/1989	Rosenstein et al.	
4,953,560	A	9/1990	Samuels	
D341,663	S *	11/1993	Coulter	D24/224
D353,889	S *	12/1994	Erickson	D24/155
D369,868	S *	5/1996	Nazareth	D24/224
D390,667	S *	2/1998	Nazareth	D24/223
D438,632	S *	3/2001	Miller	D24/216
D445,906	S *	7/2001	Clawson	D24/216
D497,673	S	10/2004	Long	
D511,574	S	11/2005	Wendling	
D512,156	S	11/2005	Wendling	

(Continued)

**1 Claim, 3 Drawing Sheets**



(56)

References Cited

U.S. PATENT DOCUMENTS

D537,168	S	2/2007	Sigel et al.
D548,359	S	8/2007	Illein et al.
D548,854	S	8/2007	Wendling
D554,765	S	11/2007	Wendling
D576,737	S	9/2008	Lee et al.
7,704,702	B2	4/2010	Keren et al.
7,749,775	B2	7/2010	Maher et al.
8,211,711	B2*	7/2012	Nazareth ..... G01N 33/558 422/401
D672,880	S *	12/2012	Laverack ..... D24/223
D676,570	S *	2/2013	Chance ..... D24/223
8,609,401	B2	12/2013	Song
D698,457	S	1/2014	Canova et al.
D731,120	S *	6/2015	Otsuka ..... D28/48
D735,351	S *	7/2015	Laverack ..... D24/223
D738,526	S *	9/2015	Huang ..... D24/224
D765,264	S *	8/2016	Zin ..... D24/223
D772,428	S *	11/2016	Fumito ..... D24/225
2004/0248322	A1	12/2004	Charlton
2006/0068500	A1	3/2006	Wei et al.
2006/0127886	A1	6/2006	Kaylor et al.
2008/0020482	A1	1/2008	Raj
2008/0311595	A1	12/2008	Mattsby-Baltzer

2014/0134072	A1	5/2014	Wu et al.
2015/0004623	A1	1/2015	Bahaman et al.
2015/0056687	A1	2/2015	Tyrrell et al.
2015/0140552	A1	5/2015	Lee
2015/0152468	A1	6/2015	Nara et al.
2015/0168397	A1	6/2015	Stankov

FOREIGN PATENT DOCUMENTS

EM	000981964-0002	4/2008
EM	000981964-0003	4/2008
EP	0940678 A1	9/1999
JP	D1201113 S	4/2004
JP	D1201114 S	4/2004
KR	2008/0075285 A	8/2008
WO	01/002854 A1	1/2001
WO	D063580	5/2004
WO	2013/105090 A1	7/2013
WO	2015/070702 A1	5/2015

OTHER PUBLICATIONS

Global Sources Home Products, vol. 11, No. 5, p. 293, 2011 (1 page).

\* cited by examiner

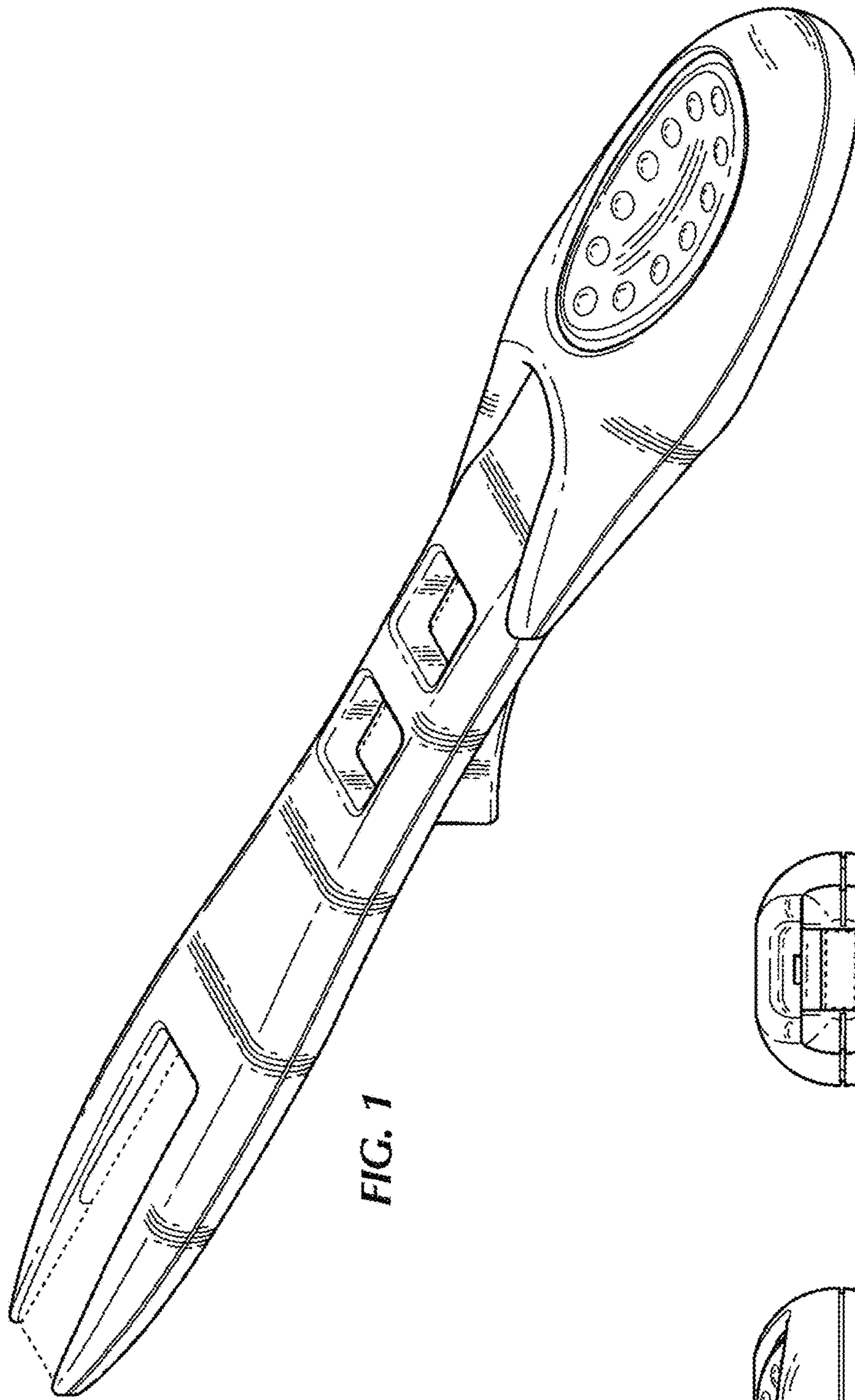


FIG. 1

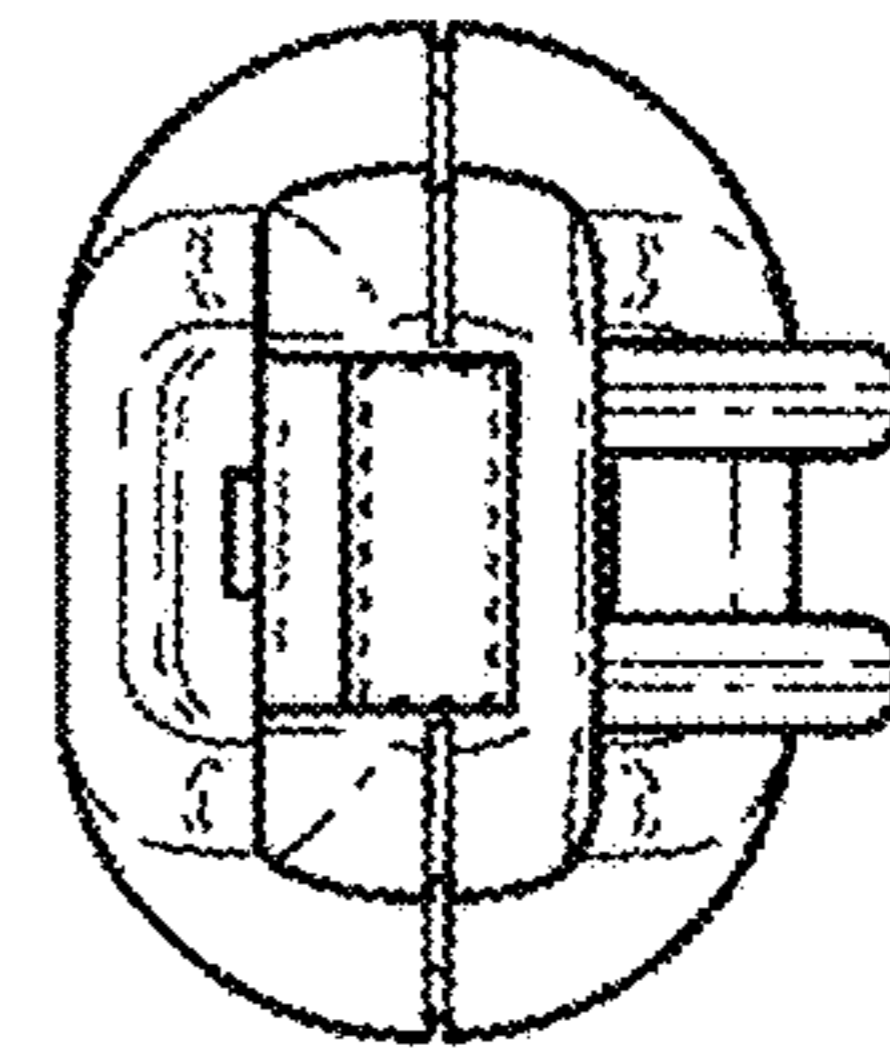


FIG. 2

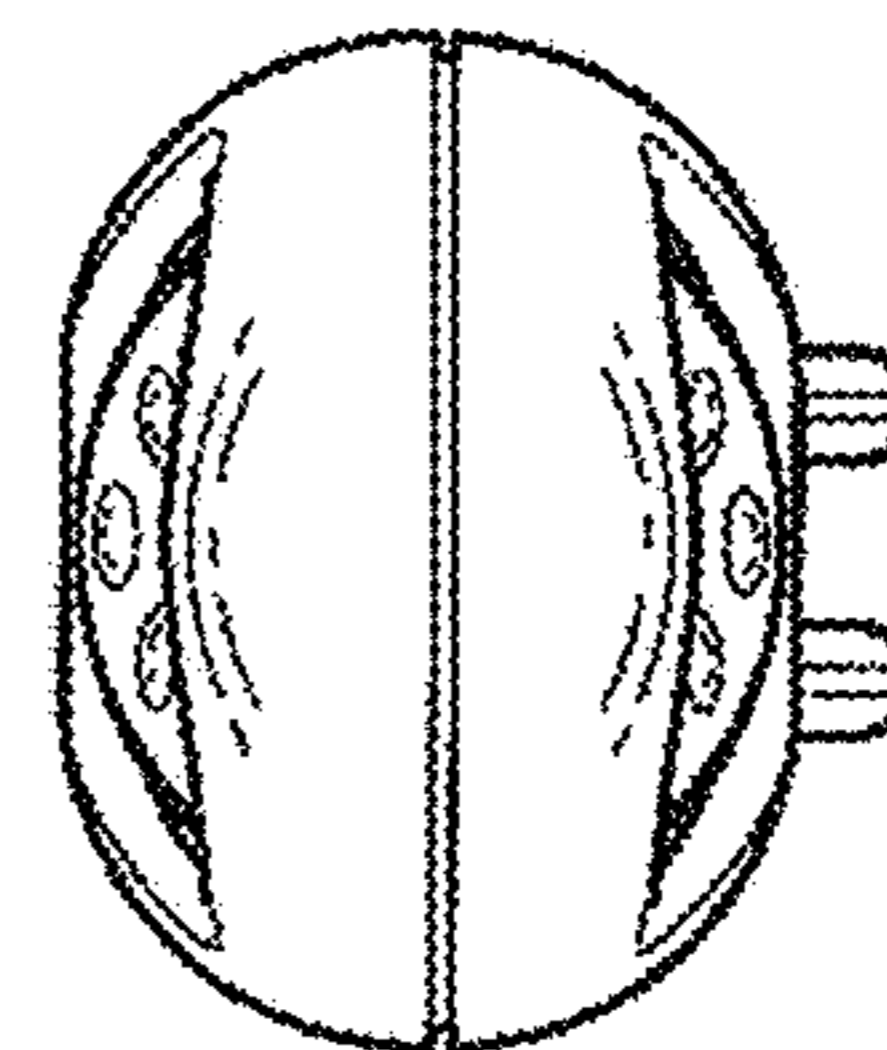


FIG. 3

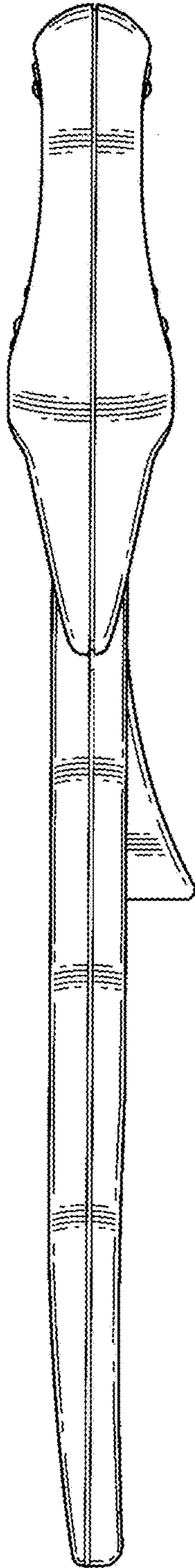


FIG. 4

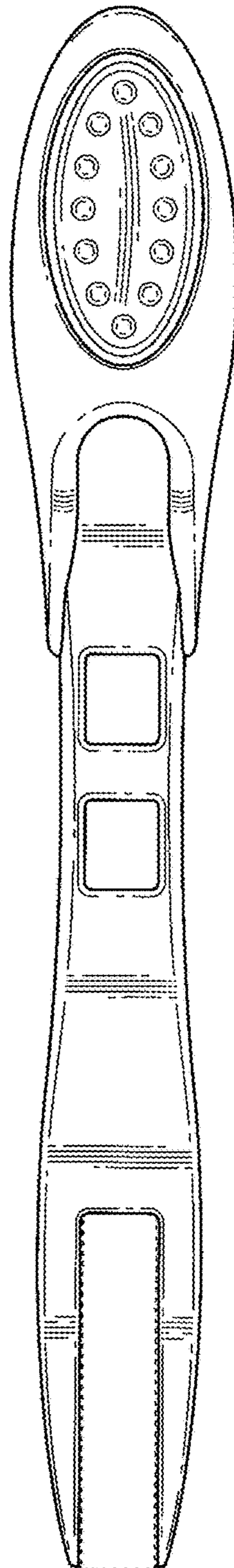


FIG. 5

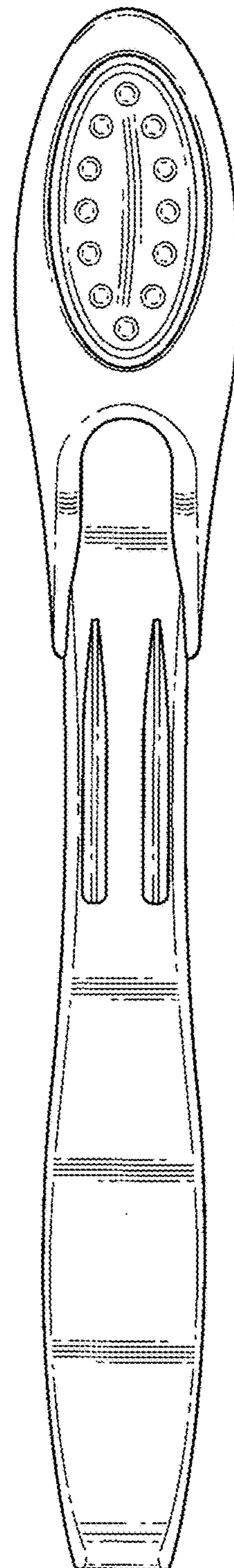


FIG. 6

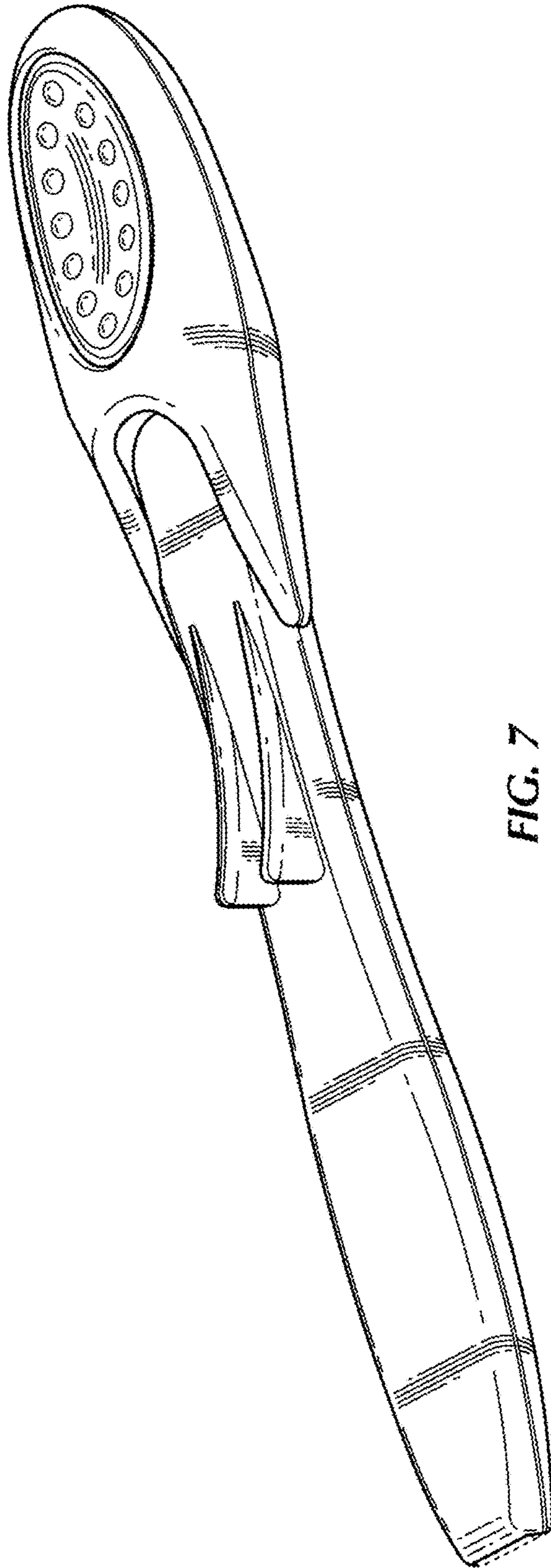


FIG. 7