



US00D825074S

(12) **United States Design Patent**
Kitajima

(10) **Patent No.:** **US D825,074 S**

(45) **Date of Patent:** **** Aug. 7, 2018**

(54) **FREEZING PRESERVATION CONTAINER**

(71) Applicant: **JMS CO., LTD.**, Hiroshima (JP)

(72) Inventor: **Sayuri Kitajima**, Hiroshima (JP)

(73) Assignee: **JMS CO., LTD.**, Hiroshima (JP)

(**) Term: **14 Years**

(21) Appl. No.: **29/496,497**

(22) Filed: **Jul. 14, 2014**

(30) **Foreign Application Priority Data**

Jan. 14, 2014 (JP) 2014-000487

(51) **LOC (11) Cl.** **24-02**

(52) **U.S. Cl.**
USPC **D24/224**

(58) **Field of Classification Search**
USPC D24/216, 224, 227, 229, 169, 121;
D9/414-415, 425, 456, 707, 717, 732;
422/536, 547, 555; 62/60, 66; 435/2,
435/305.1, 307.1, 374, 283.1; 34/284;
206/438; 215/380; 604/262, 317, 403,
604/406, 408-410, 415, 6.04, 6.15;
600/300, 735

CPC A01N 1/02; A01N 1/0236; A61B 10/0275;
A61B 5/1411; A61J 1/05; A61J 1/10;
A61K 35/18; A61K 35/51; A61K 8/347;
A61M 1/02; A61M 1/0209; A61M
1/0272; A61M 1/0277; A61M 1/0236;
A61M 1/369; A61M 1/3692; A61M
25/002; B01D 63/082; B01L 3/502; B01L
3/50851; B01L 3/5088; B65D 1/0223;
B65D 75/008; B65D 77/006; B65D
81/18; C12M 21/06; C12M 23/02; C12M
23/04; C12M 23/06; C12M 23/08; C12M
23/10; C12M 23/12; C12M 23/14; C12M
23/22; C12M 35/04; C12M 45/22; F25C
1/22; F25D 31/006; G06Q 10/083; F26B
5/06

See application file for complete search history.

(56) **References Cited**

U.S. PATENT DOCUMENTS

3,776,411 A * 12/1973 Luckadoo A61B 10/0096
206/438
3,945,523 A * 3/1976 Wertlake A61J 1/05
215/380
3,963,026 A * 6/1976 Herb A61J 1/10
604/408
3,986,506 A * 10/1976 Garber A61M 1/369
604/410

(Continued)

Primary Examiner — Ian Simmons

Assistant Examiner — Mark Cavanna

(74) *Attorney, Agent, or Firm* — Muncy, Geissler, Olds & Lowe, P.C.

(57) **CLAIM**

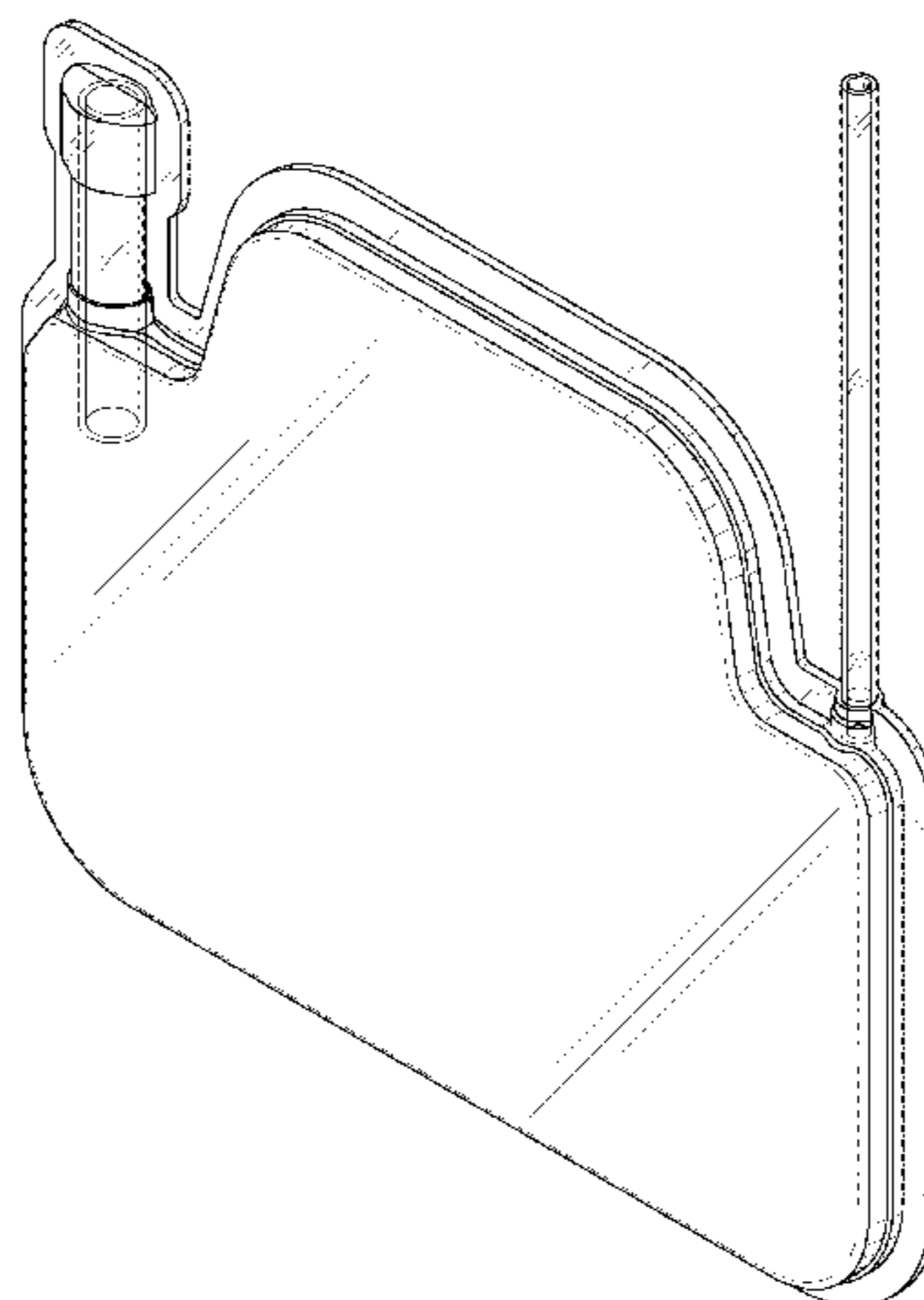
The ornamental design for a freezing preservation container, as shown and described.

DESCRIPTION

FIG. 1 is a front, right perspective view of a freezing preservation container showing my new design;
FIG. 2 is a front elevational view thereof, the rear view being a mirror image thereof;
FIG. 3 is a top plan view thereof;
FIG. 4 is bottom plan view thereof;
FIG. 5 is a right side view thereof;
FIG. 6 is an enlarged partial right side view thereof; and,
FIG. 7 is a left side view thereof.

The broken lines seen in FIG. 5 are included for the purpose of illustrating the location of the enlarged partial view of the right side of the freezing preservation container seen in FIG. 6. The broken lines seen in FIG. 6 are included for the purpose of indicating this figure is a partial view with the slender port section removed. None of the broken lines form any part of the claimed design.

1 Claim, 7 Drawing Sheets



(56)

References Cited

U.S. PATENT DOCUMENTS

4,018,911 A * 4/1977 Lionetti A61K 35/18
435/374
4,112,989 A * 9/1978 Grode A61J 1/10
604/262
4,251,995 A * 2/1981 Pert A01N 1/02
62/60
4,253,458 A * 3/1981 Bacehowski A61J 1/10
604/6.04
4,306,556 A * 12/1981 Zelman A01N 1/02
604/410
4,482,585 A * 11/1984 Ohodaira A61J 1/05
604/409
4,630,448 A * 12/1986 Bilstad B65D 81/18
62/60
D296,664 S * 7/1988 Hjalmarsson D9/717
4,892,537 A * 1/1990 Carmen A61M 1/0209
604/408
4,973,327 A * 11/1990 Goodrich, Jr. A61J 1/10
604/408
4,994,021 A * 2/1991 Smith A61M 1/0236
604/6.04
5,257,983 A * 11/1993 Garyantes A61M 1/0272
604/408
5,358,871 A * 10/1994 Stevens C12M 25/04
422/536
5,364,385 A * 11/1994 Harms A61M 1/0277
604/403
D353,092 S * 12/1994 Green D9/732
D362,618 S * 9/1995 Paling D9/707
D373,308 S * 9/1996 Chapman D9/415
5,578,027 A * 11/1996 Drago A61J 1/10
604/403
D378,941 S * 4/1997 Lahm D24/224
6,059,968 A * 5/2000 Wolf, Jr. A61M 1/0209
435/2

D430,939 S * 9/2000 Zukor D24/121
6,517,526 B1 * 2/2003 Tamari A01N 1/0236
604/403
D479,461 S * 9/2003 Raymond D9/415
6,808,675 B1 * 10/2004 Coelho A61J 1/10
435/304.1
7,147,626 B2 * 12/2006 Goodman A61B 10/0096
604/408
D541,426 S * 4/2007 Sato D24/224
D584,141 S * 1/2009 Smith D9/414
7,727,219 B2 * 6/2010 Lampeter A01N 1/02
600/573
D622,407 S * 8/2010 Brown D24/229
7,776,022 B2 * 8/2010 McCarthy A61J 1/10
604/403
8,034,616 B2 * 10/2011 Uemura C12M 35/04
435/283.1
8,099,297 B2 * 1/2012 Brevnova G06Q 10/083
600/300
D681,843 S * 5/2013 Nemeth B01L 3/502
D24/224
8,449,520 B2 * 5/2013 Pepper A61J 1/10
604/410
D708,951 S * 7/2014 Studt D9/456
D740,117 S * 10/2015 Nichols D9/456
9,381,134 B2 * 7/2016 Rettinghaus A61J 1/05
9,526,478 B2 * 12/2016 Chiang A61B 5/1411
2008/0314052 A1 * 12/2008 Shin B65D 1/0223
62/66
2009/0107001 A1 * 4/2009 McCarthy A61J 1/10
34/284
2012/0173262 A1 * 7/2012 Cucin A61B 10/0275
705/2
2014/0259724 A1 * 9/2014 McCarthy F26B 5/06
34/284
2016/0219869 A1 * 8/2016 Coelho C12M 45/22

* cited by examiner

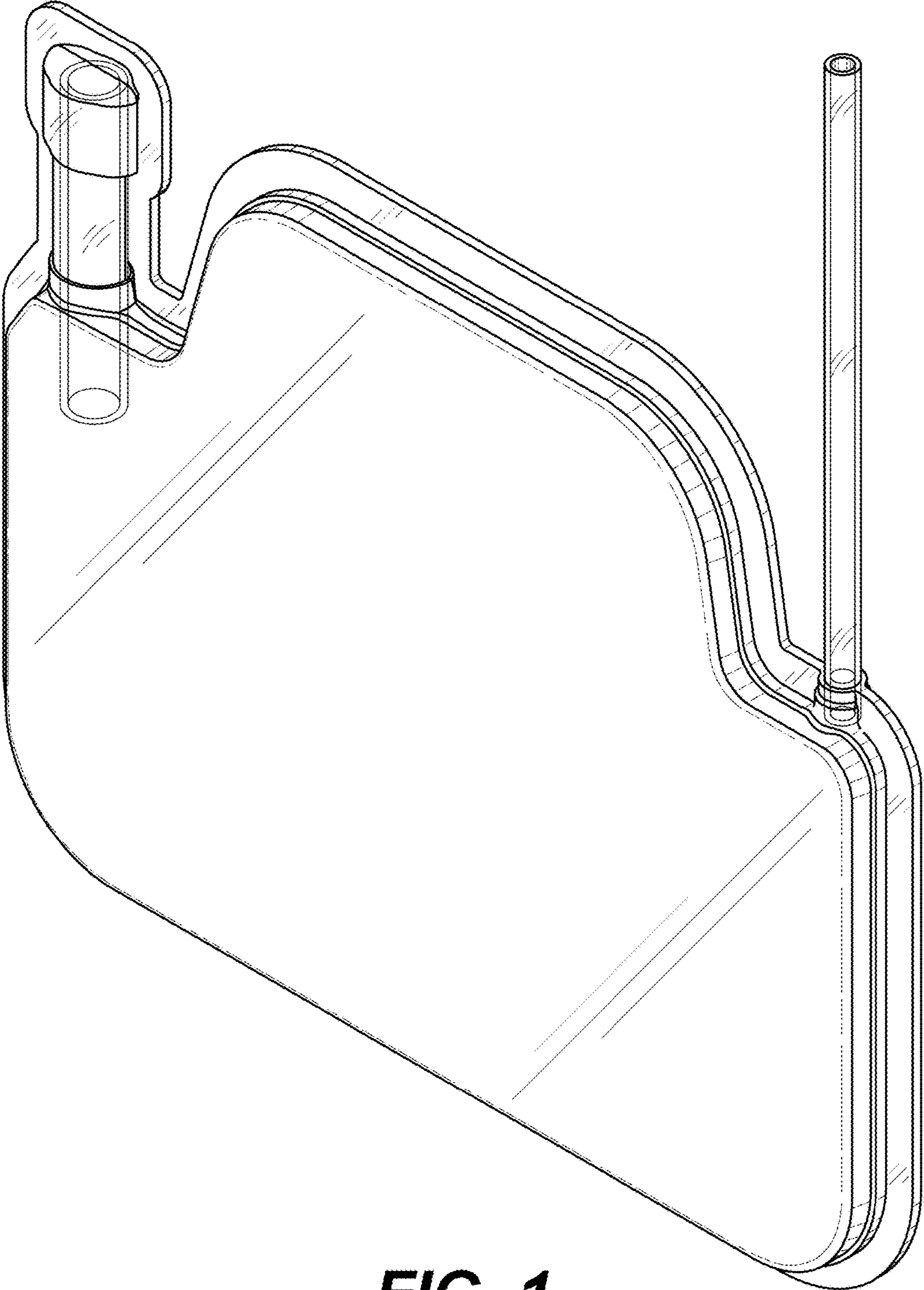


FIG. 1

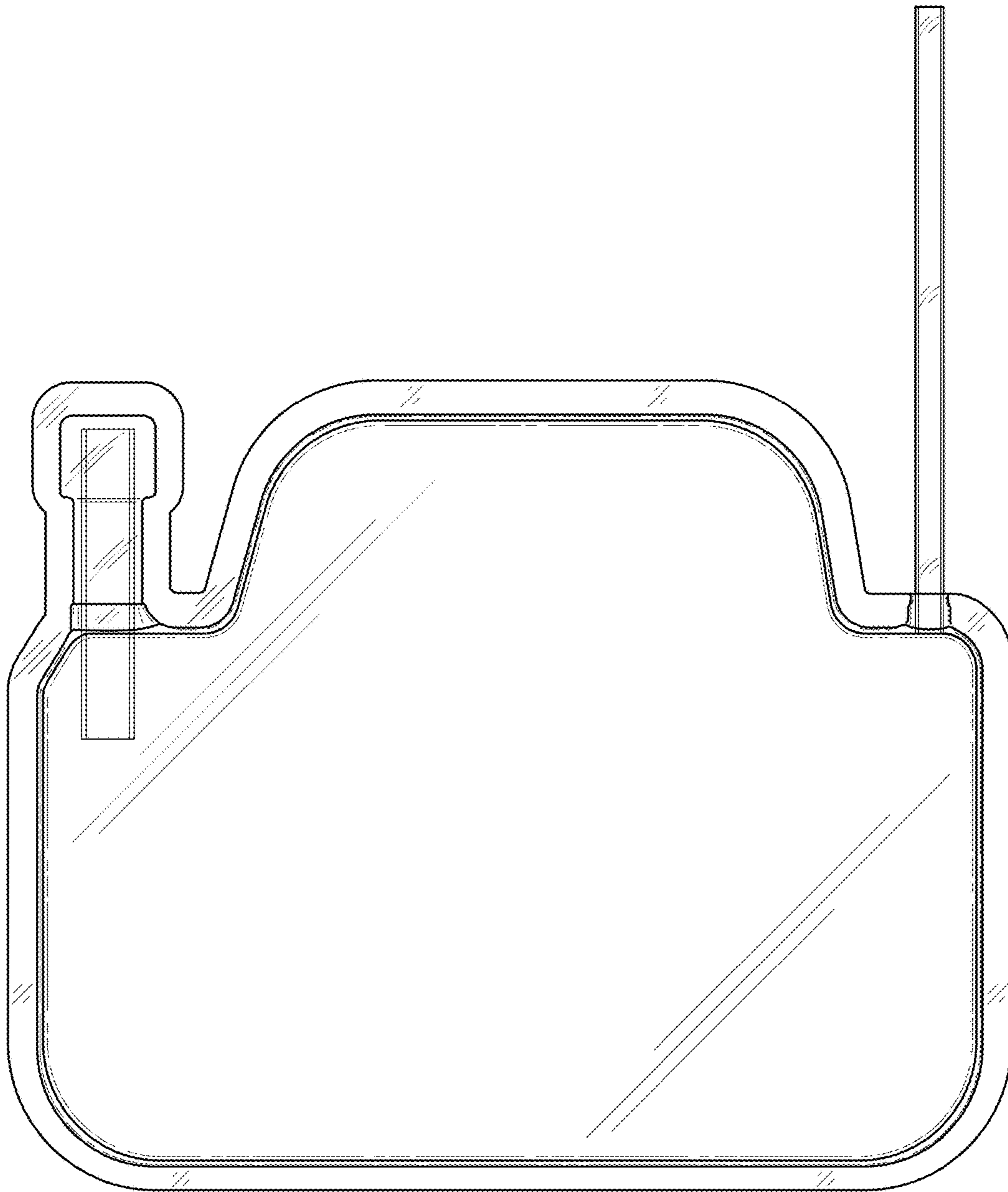


FIG. 2

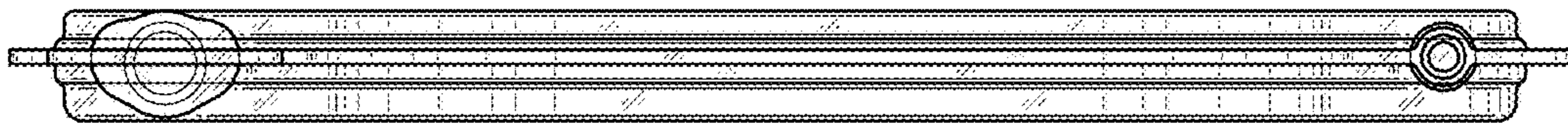


FIG. 3

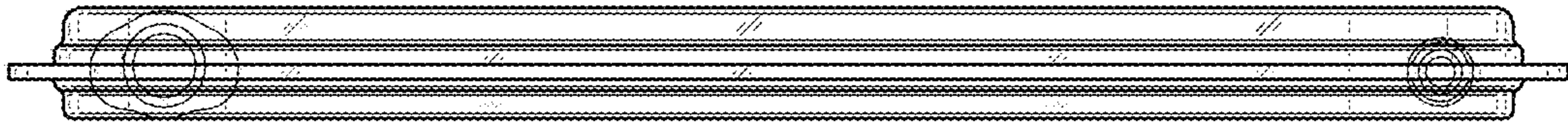


FIG. 4

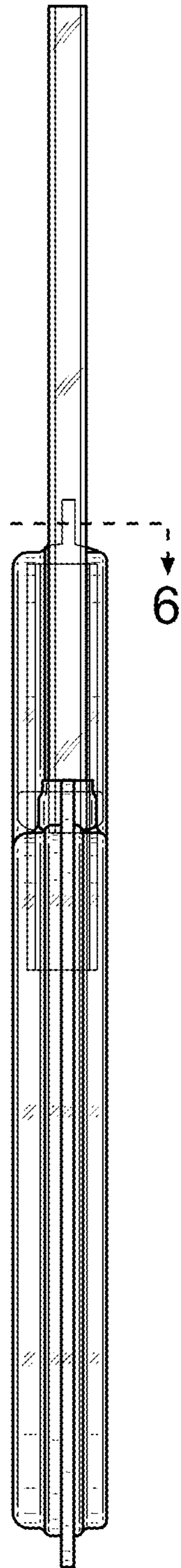


FIG. 5

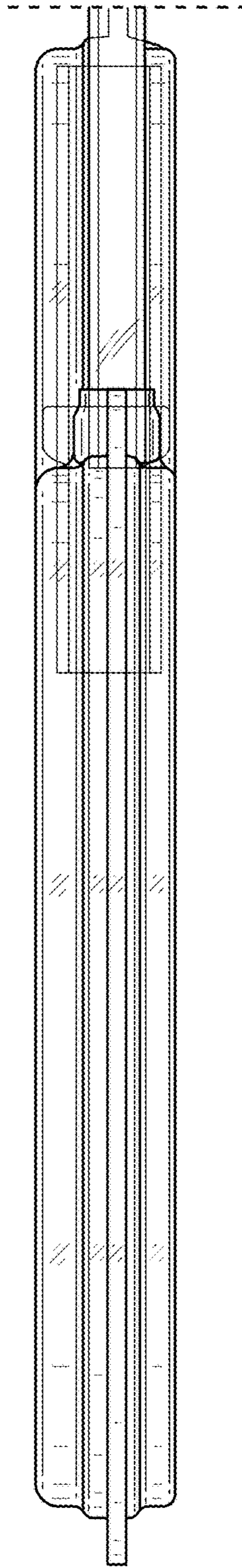


FIG. 6

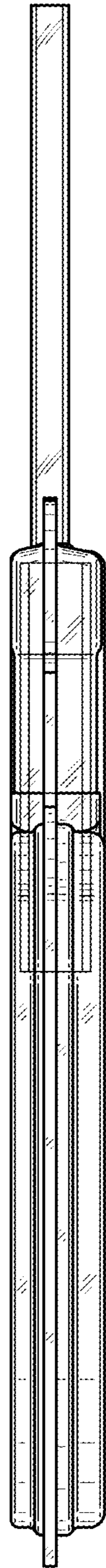


FIG. 7