



US00D825072S

(12) **United States Design Patent** (10) **Patent No.:** **US D825,072 S**
Confer (45) **Date of Patent:** **** Aug. 7, 2018**

- (54) **ADJUSTABLE BACK PAD**
- (71) Applicant: **THE RAYMOND CORPORATION**,
Greene, NY (US)
- (72) Inventor: **Thomas W Confer**, Chenango Forks,
NY (US)
- (73) Assignee: **The Raymond Corporation**, Greene,
NY (US)
- (**) Term: **15 Years**
- (21) Appl. No.: **29/586,713**
- (22) Filed: **Dec. 6, 2016**
- (51) **LOC (11) Cl.** **24-04**
- (52) **U.S. Cl.**
USPC **D24/206; D6/716**
- (58) **Field of Classification Search**
USPC D24/200, 206, 190, 184, 215;
D6/334-336, 595, 596, 601, 716, 716.2,
D6/716.3, 716.4; D29/100, 101.3;
5/59.1, 417, 420, 633; 297/1, 93, 180.11,
297/195.1, 195.11, 195.13, 216.1, 216.15,
297/216.16, 284.1, 352, 452.12, 452.26,
297/452.29, 452.32
CPC .. A47C 7/00; A47C 7/021; A47C 7/40; A47C
7/46; A47C 7/462; A47C 7/405; A47C
16/00; A47C 1/00; A61H 2205/081; A61F
5/02; A61F 5/024; A61F 5/026; A47G
9/1081; A47G 9/1009; A47G 2009/1018
See application file for complete search history.

- 5,275,255 A 1/1994 Huntley et al.
- D344,202 S * 2/1994 Schwartz D6/716.4
- D373,275 S * 9/1996 Bell D6/601
- 5,895,096 A * 4/1999 Massara B60N 2/70
297/452.18
- D446,032 S * 8/2001 Arcieri D6/354
- D593,343 S * 6/2009 True D6/366
- D598,223 S 8/2009 Confer et al.

(Continued)

Primary Examiner — Wan Laymon
Assistant Examiner — Clint A Samuel
(74) *Attorney, Agent, or Firm* — Quarles & Brady LLP

(57) **CLAIM**

The ornamental design for an adjustable back pad, as shown and described.

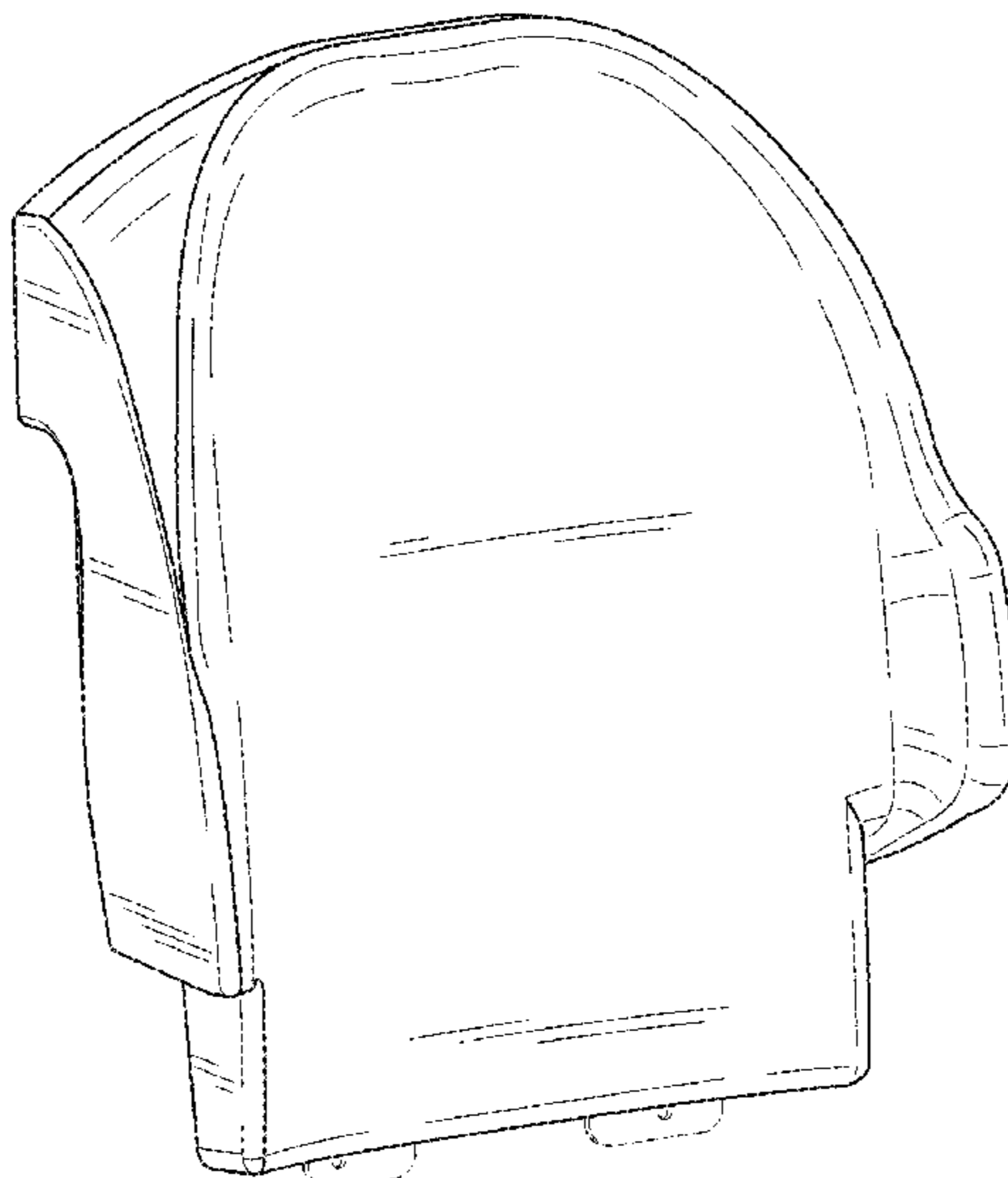
DESCRIPTION

FIG. 1 is an upper frontal perspective view of an adjustable back pad of the first embodiment showing the new design; FIG. 2 is a front elevational view thereof; FIG. 3 is a rear elevational view thereof; FIG. 4 is a right side elevational view thereof; FIG. 5 is a left side elevational view thereof; FIG. 6 is a top plan view thereof; FIG. 7 is a bottom plan view thereof; FIG. 8 is an upper frontal perspective view similar to FIG. 1, showing a second embodiment of the new design; FIG. 9 is a front elevational view thereof; FIG. 10 is a rear elevational view thereof; FIG. 11 is a right side elevational view thereof; FIG. 12 is a left side elevational view thereof; FIG. 13 is a top plan view thereof; and, FIG. 14 is a bottom plan view thereof.

The dash-dash broken lines are for the purpose of illustrating unclaimed subject matter only and form no part of the claimed design. The dash-dot lines are for the purpose of indicating a boundary of the design on a surface and do not indicate an edge.

1 Claim, 10 Drawing Sheets

- (56) **References Cited**
U.S. PATENT DOCUMENTS
3,873,998 A * 4/1975 Norris B32B 9/00
2/2.5
D268,803 S * 5/1983 Roberts D6/601
D310,312 S * 9/1990 Wong D6/596



(56)

References Cited

U.S. PATENT DOCUMENTS

7,654,602	B2	2/2010	Smiley et al.	
D622,529	S *	8/2010	Long	D6/601
D642,001	S *	7/2011	Hong	D6/716.4
D653,882	S	2/2012	Ryan et al.	
D659,252	S *	5/2012	Batiste	D24/190
D670,941	S *	11/2012	Vernon	D6/716.4
D672,172	S *	12/2012	Walker	D6/716.4
D701,710	S *	4/2014	Martinez	D6/601
D710,022	S *	7/2014	Chen	D24/215
D710,515	S *	8/2014	Chen	D24/215
D750,927	S *	3/2016	Line	D6/716.4
D750,928	S *	3/2016	Line	D6/716.4
D773,224	S *	12/2016	Tse	D15/28
D776,475	S *	1/2017	Makita	D6/356
D785,958	S *	5/2017	Iulita	D6/356
D789,129	S *	6/2017	Fromme-Ruthmann	D6/716
D793,768	S *	8/2017	Goddard	D6/601
D793,770	S *	8/2017	Krishtul	D6/601
D794,986	S *	8/2017	Kataoka	D6/716.4
D799,877	S *	10/2017	Mulder	D6/716.4
D804,833	S *	12/2017	Hecht	D6/334
D806,441	S *	1/2018	Pan	D6/601
9,868,374	B2 *	1/2018	Ferguson	B60N 2/686
2001/0005095	A1 *	6/2001	Karschin	A47C 7/40 297/440.14
2006/0152062	A1 *	7/2006	Archambault	B60N 2/80 297/452.34
2010/0102609	A1	4/2010	Confer et al.	
2013/0134749	A1 *	5/2013	Awata	B60N 2/5825 297/216.13

* cited by examiner

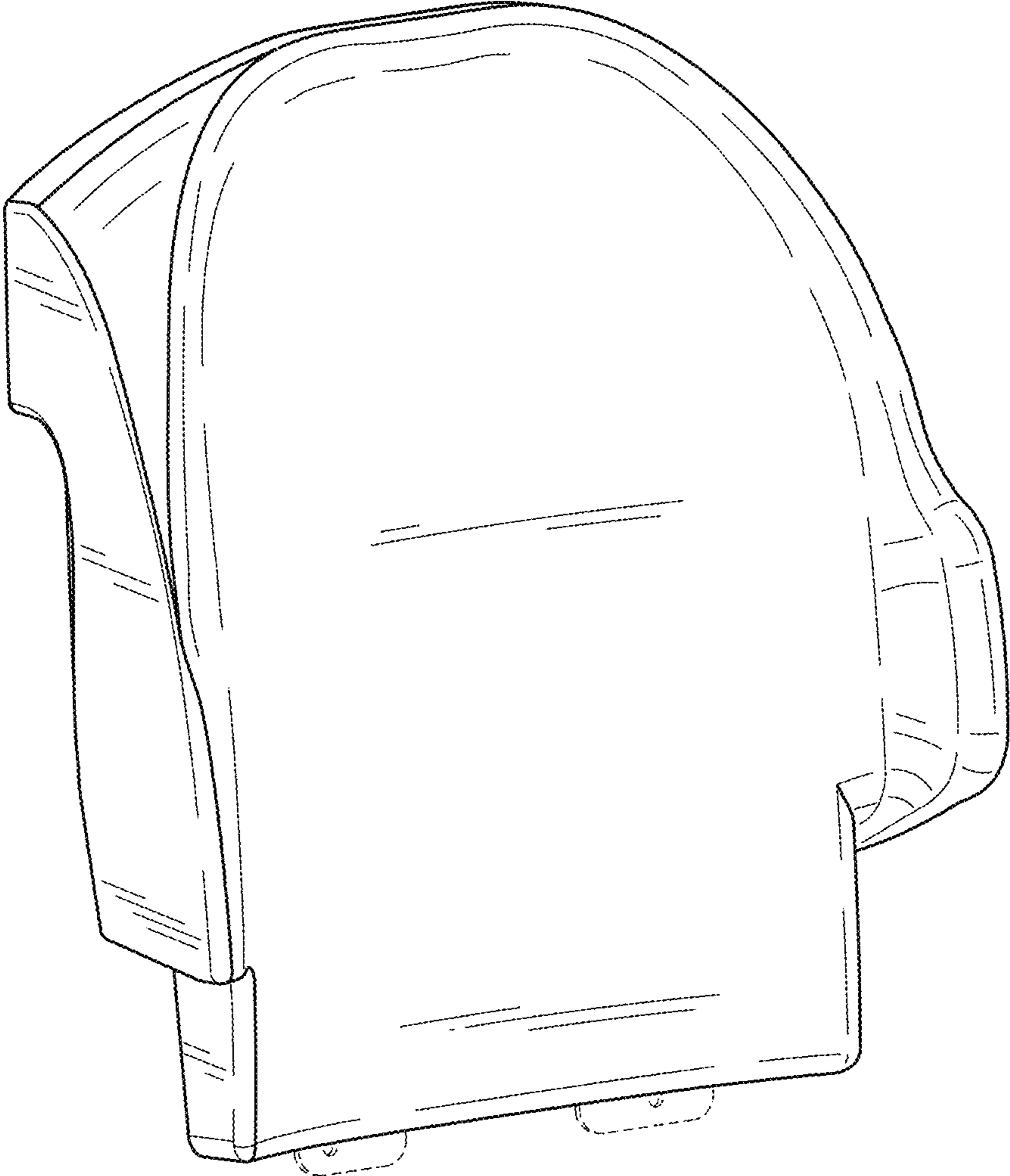


FIG. 1

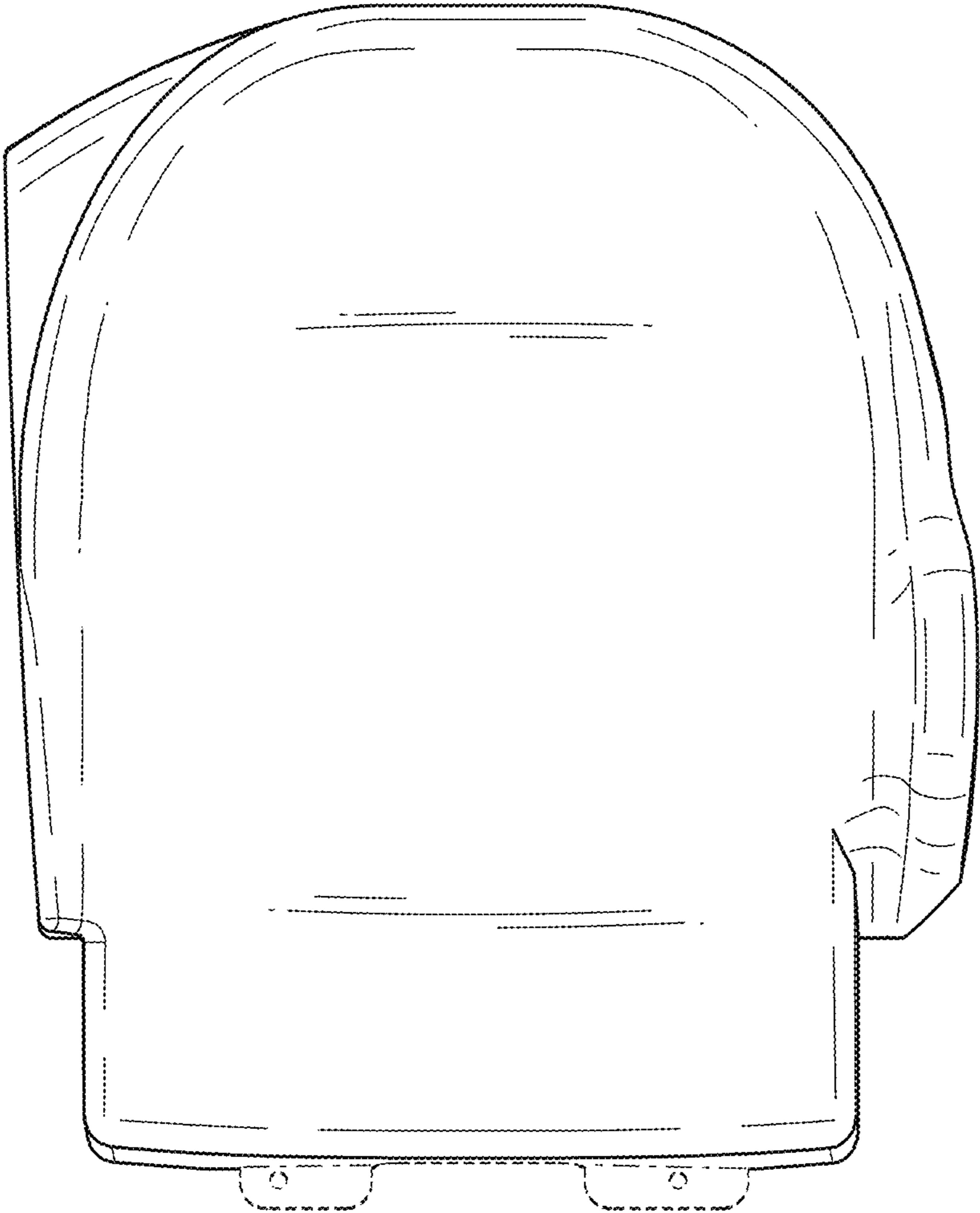


FIG. 2

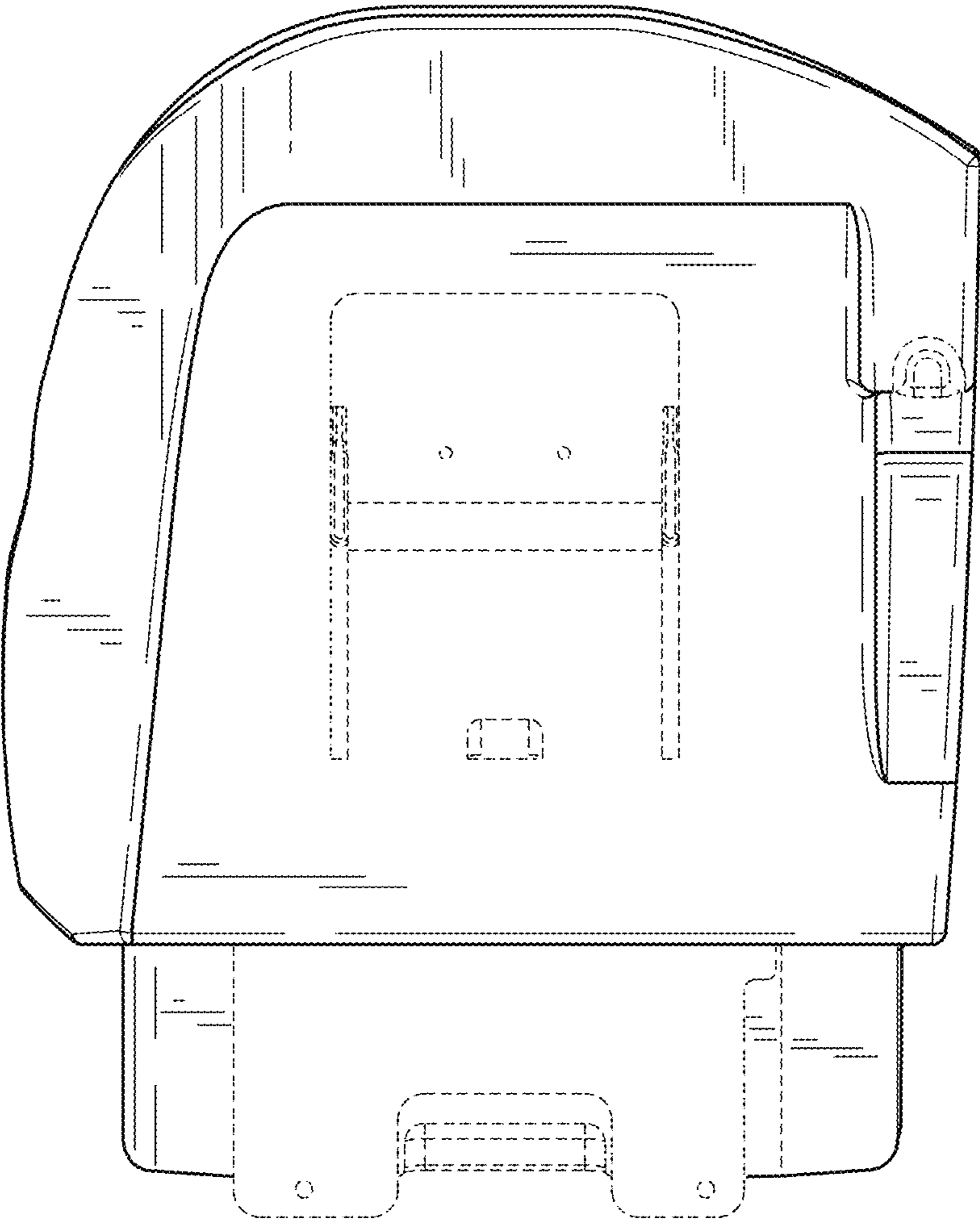


FIG. 3

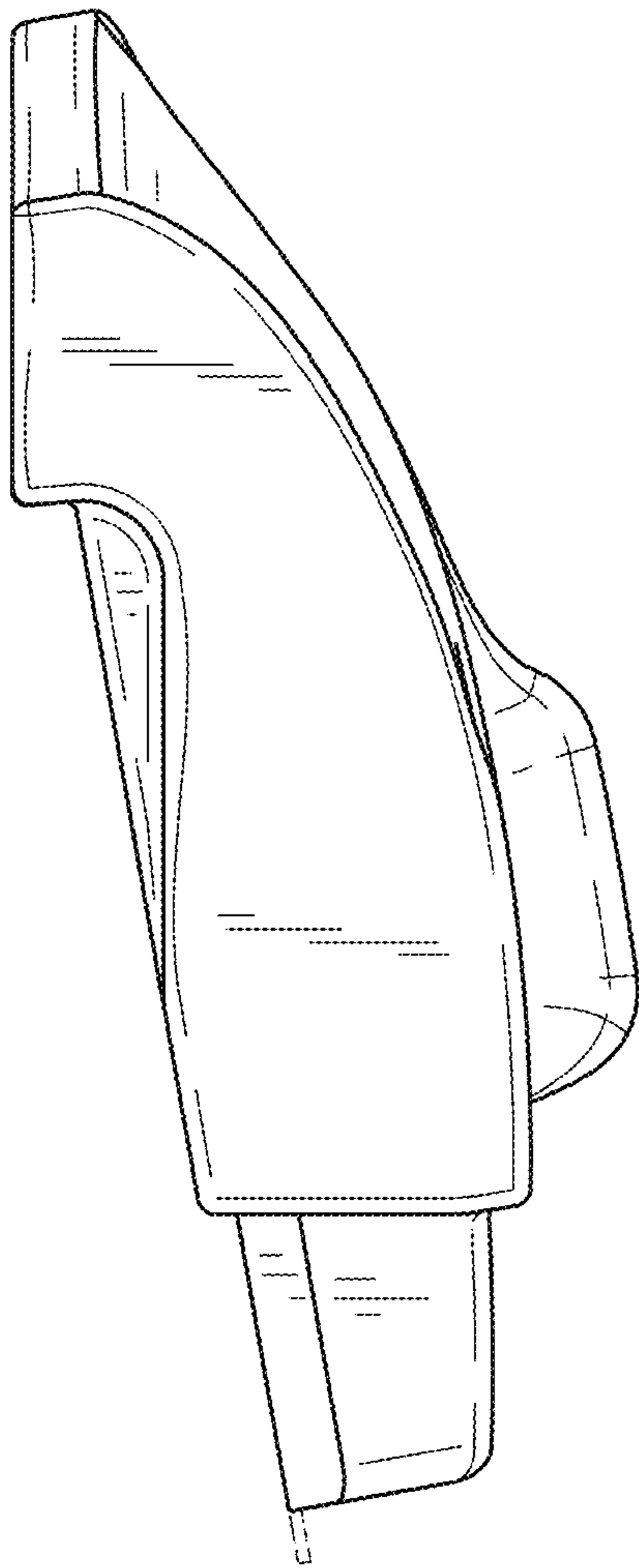


FIG. 4

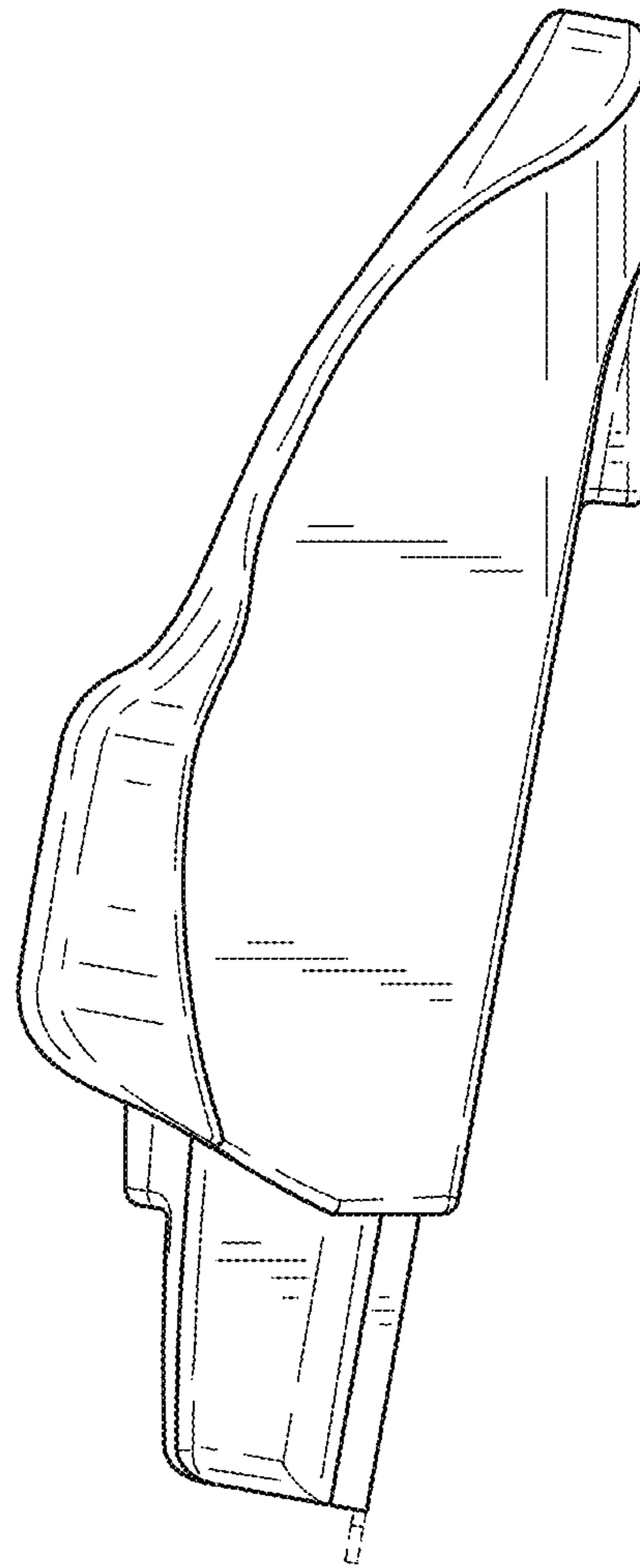


FIG. 5

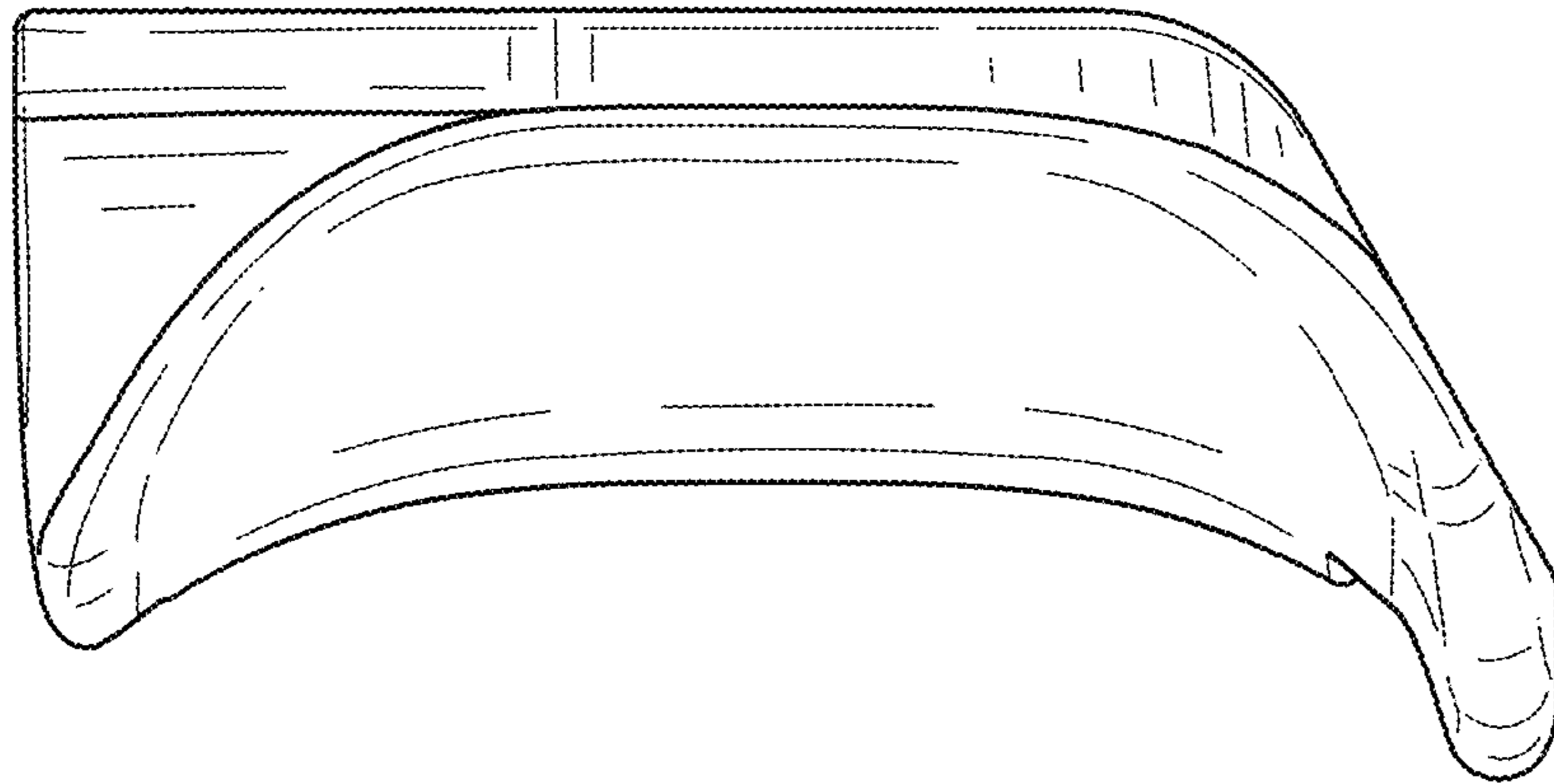


FIG. 6

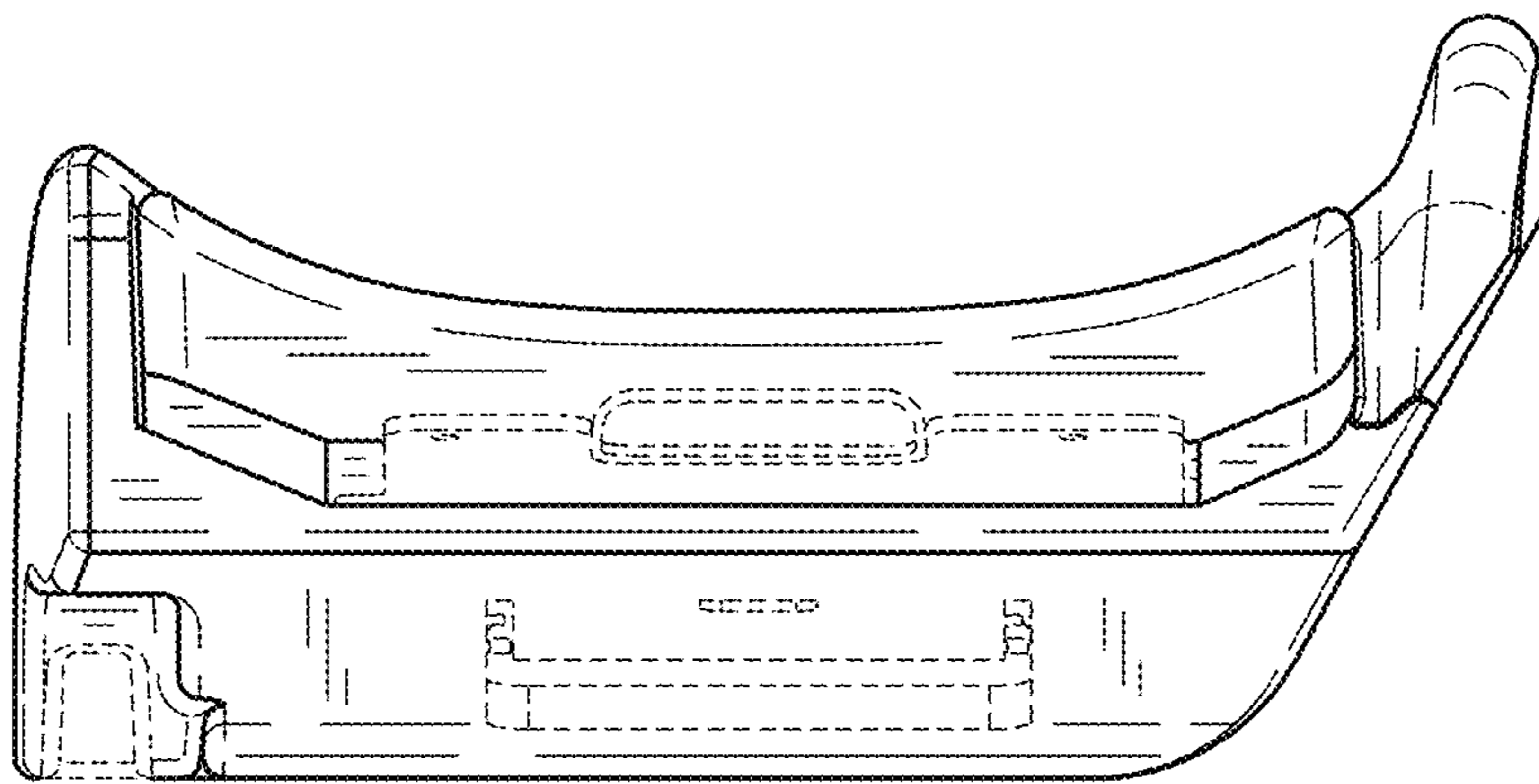


FIG. 7



FIG. 8

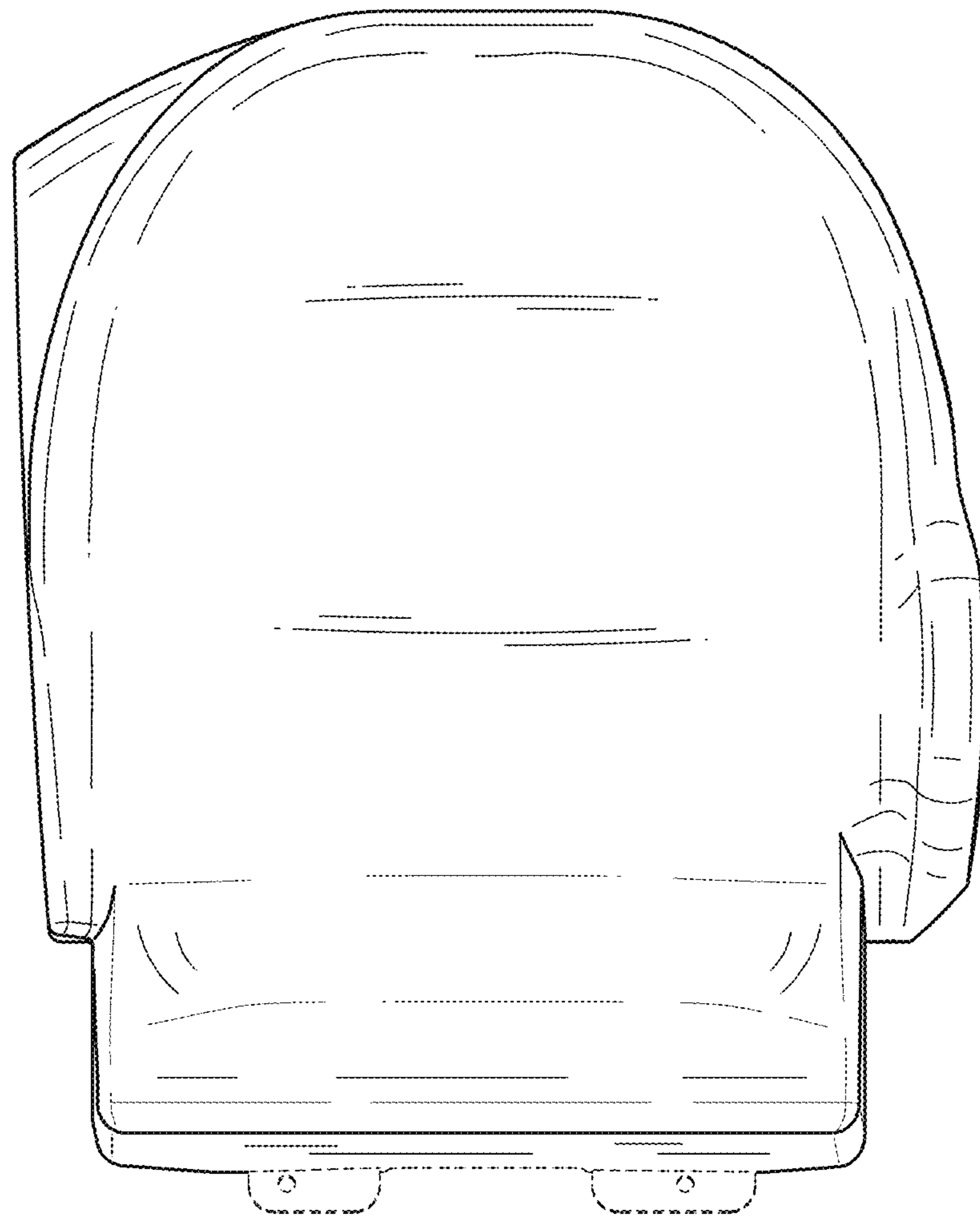


FIG. 9

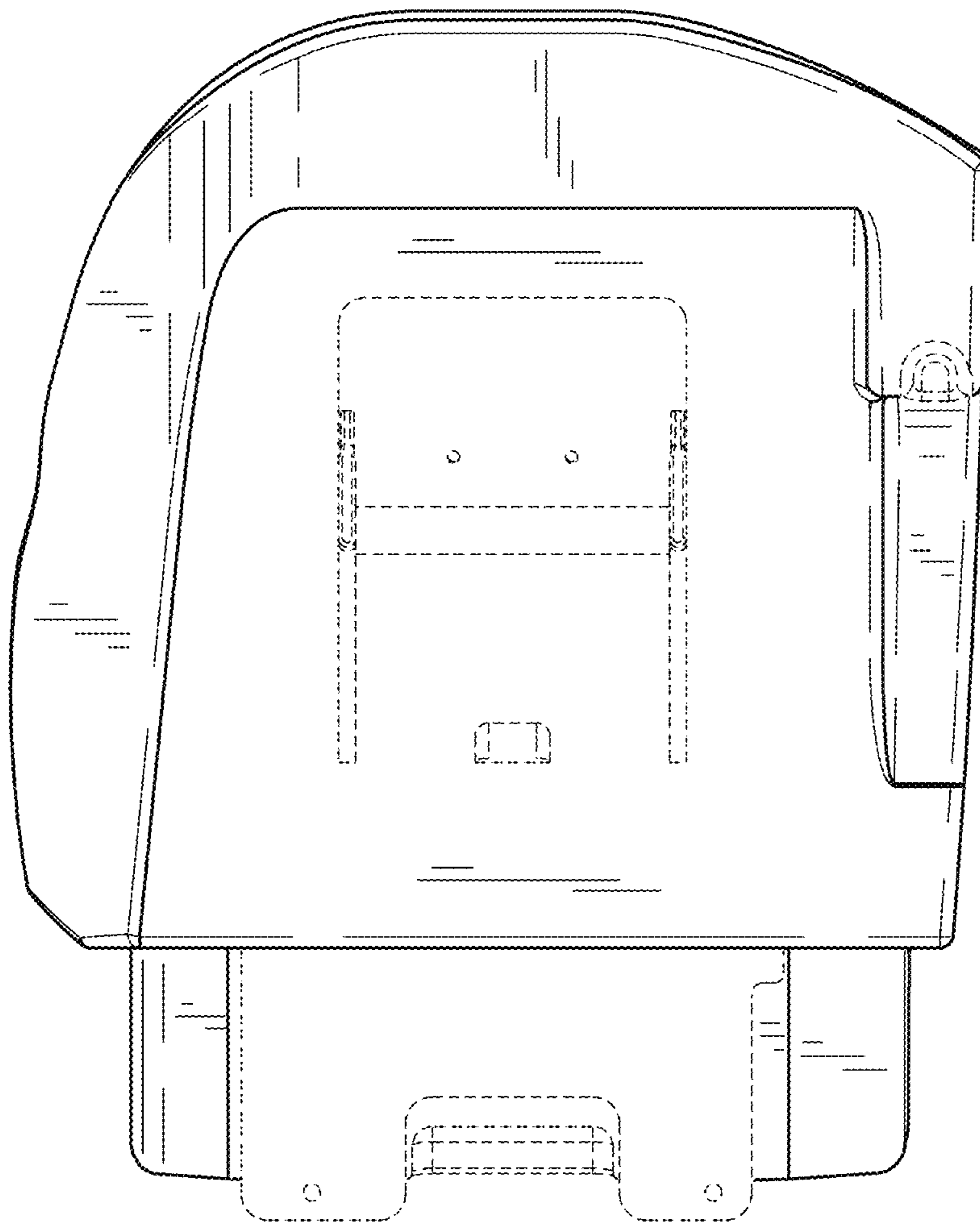


FIG. 10

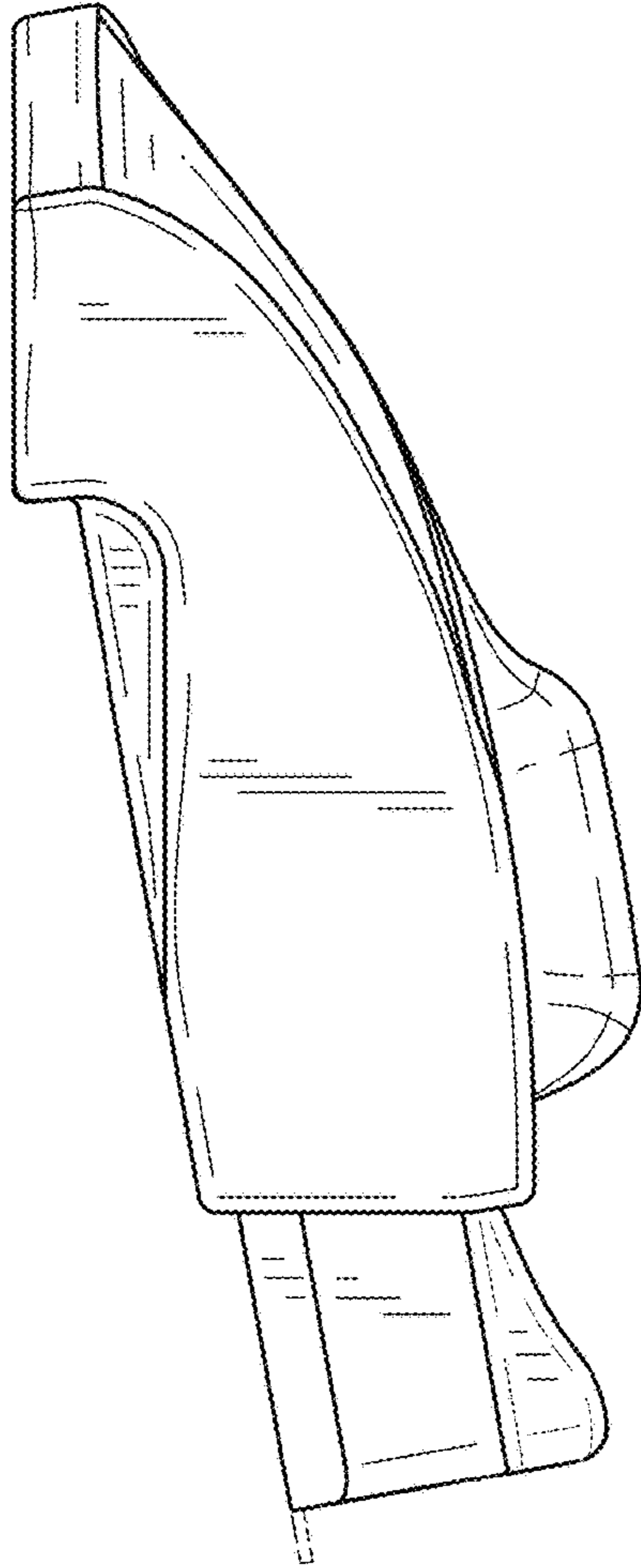


FIG. 11

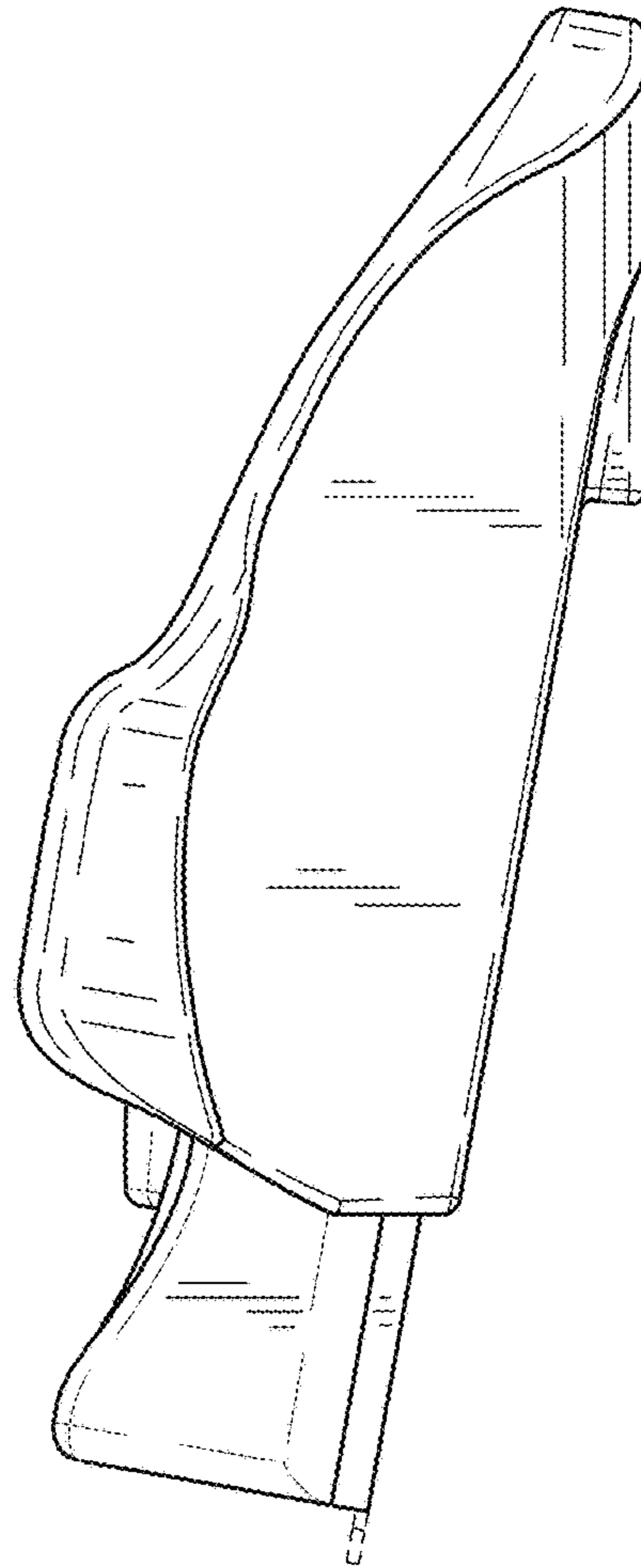


FIG. 12

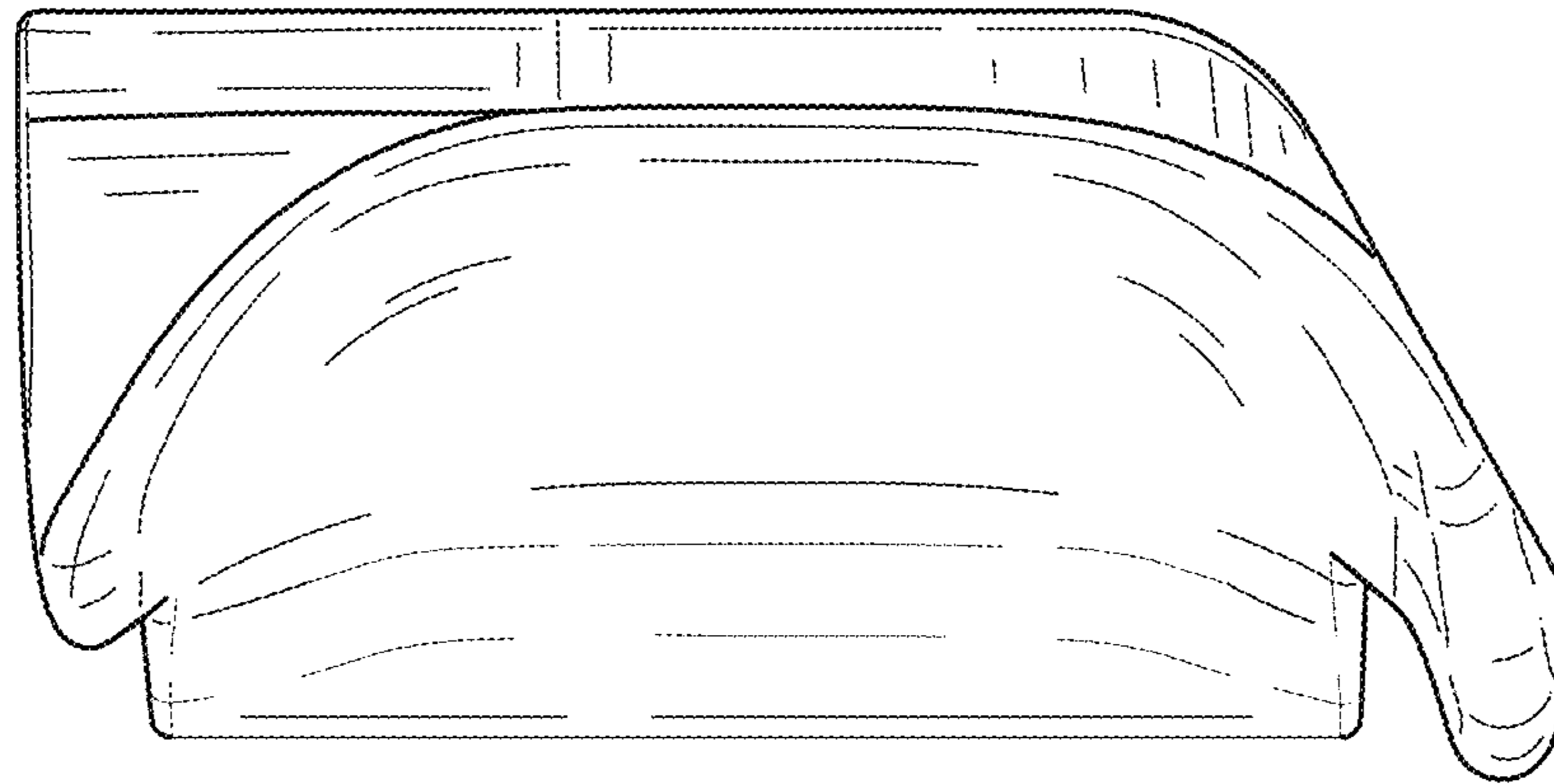


FIG. 13

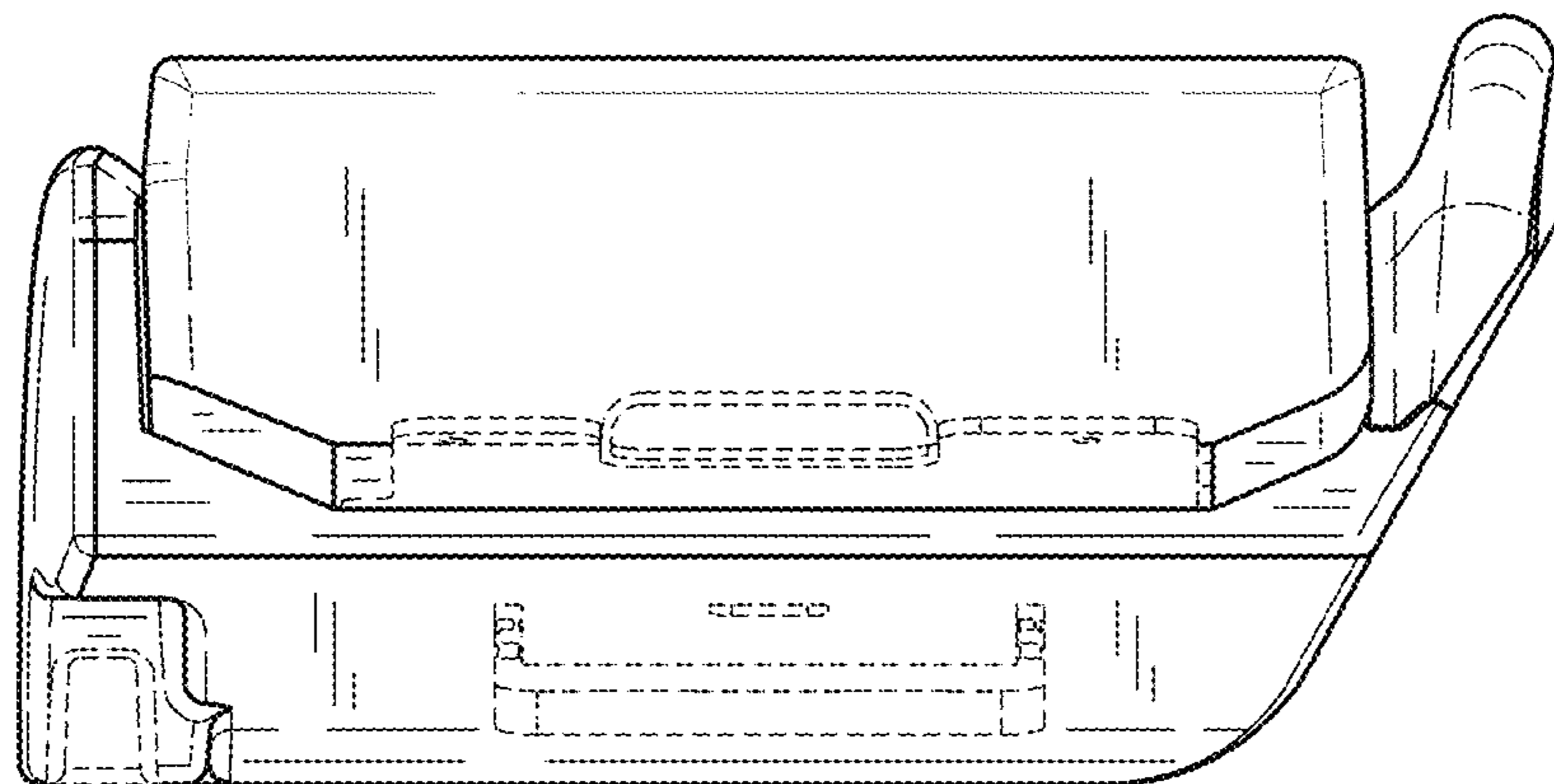


FIG. 14