



US00D825067S

(12) **United States Design Patent** (10) **Patent No.:** **US D825,067 S**
Ho (45) **Date of Patent:** **** Aug. 7, 2018**

(54) **MINIATURE LIP PLUMPER**

(71) Applicant: **Thienna Ho**, San Francisco, CA (US)

(72) Inventor: **Thienna Ho**, San Francisco, CA (US)

(**) Term: **15 Years**

(21) Appl. No.: **29/610,031**

(22) Filed: **Jul. 7, 2017**

Related U.S. Application Data

(60) Division of application No. 29/548,509, filed on Dec. 14, 2015, now Pat. No. Des. 791,958, which is a continuation-in-part of application No. 29/538,655, filed on Sep. 4, 2015, now Pat. No. Des. 768,305, which is a continuation-in-part of application No. 29/531,308, filed on Jun. 24, 2015, now Pat. No. Des. 766,452.

(51) **LOC (11) Cl.** **28-03**

(52) **U.S. Cl.**
USPC **D24/200**

(58) **Field of Classification Search**
USPC D24/200, 206–208, 214–215; D28/67;
D7/628; D9/643, 645; 428/21
CPC . A41G 1/00; A41G 1/008; A61H 7/00; A61H
7/001; A61H 7/002; A61H 7/003; A61H
7/005; A61H 7/007; A61H 7/008; A61H
2007/009; A61H 9/0057; A61H 9/005;
A61H 2009/0064; A61H 2205/00; A61H
2205/022

See application file for complete search history.

(56) **References Cited**

U.S. PATENT DOCUMENTS

D431,097 S 9/2000 Tamez
6,189,545 B1 2/2001 Tamez
D605,471 S 12/2009 Ehrenhaus

D666,460 S 9/2012 Kolano
8,858,472 B2 10/2014 Gomez
9,119,758 B2 9/2015 Ho
D766,452 S 9/2016 Hi
D774,655 S * 12/2016 Ho D24/200
9,549,868 B2 * 1/2017 Ho A61H 9/0057
2009/0030368 A1 1/2009 Silver

OTHER PUBLICATIONS

Set 4: Candylipz Lip Plumper Set. Thienna 2013 [retrieved on Apr. 6, 2016]. Retrieved from the Internet: <URL: http://www.candylipz.com>.

* cited by examiner

Primary Examiner — Wan Laymon

(74) *Attorney, Agent, or Firm* — One LLP; Jonathan Jaech

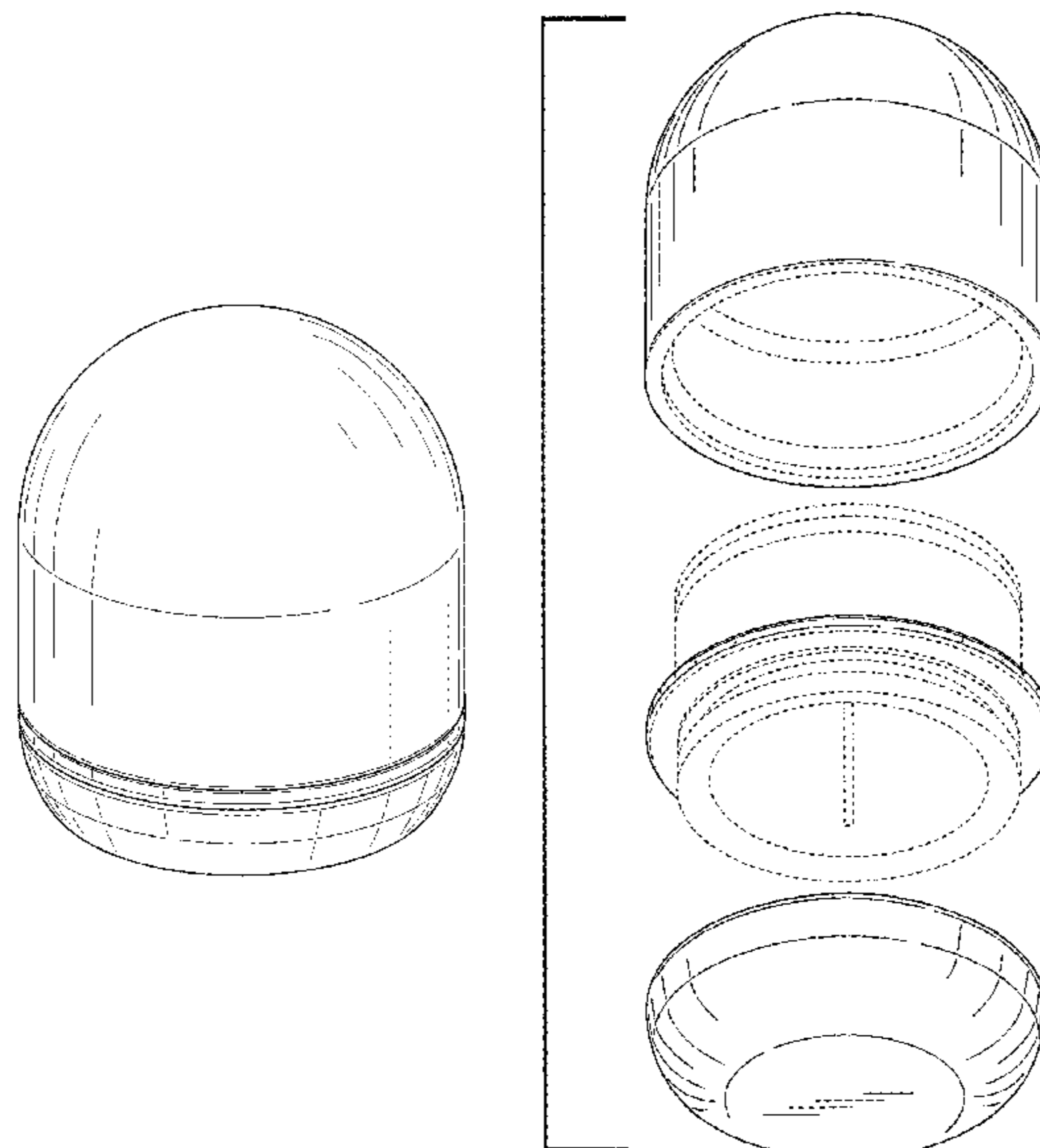
(57) **CLAIM**

The ornamental design for a miniature lip plumper, as shown and described.

DESCRIPTION

FIGS. 1-7 show different views of a first variation on an ornamental design for a miniature lip plumper, namely: an upper perspective view (FIG. 1), a lower perspective view (FIG. 2), a right elevation view (FIG. 3), a left elevation view (FIG. 4), a top view (FIG. 5), a bottom view (FIG. 6), and an exploded perspective view (FIG. 7); and, FIGS. 8-11 show different views of a second variation on an ornamental design for a miniature lip plumper, namely: an upper perspective view (FIG. 8), a right or left elevation view (FIG. 9), a top or bottom view (FIG. 10), and an exploded perspective view (FIG. 11). The broken lines showing in the figure drawings are included for the purpose of illustration and form no part of the claimed design.

1 Claim, 9 Drawing Sheets



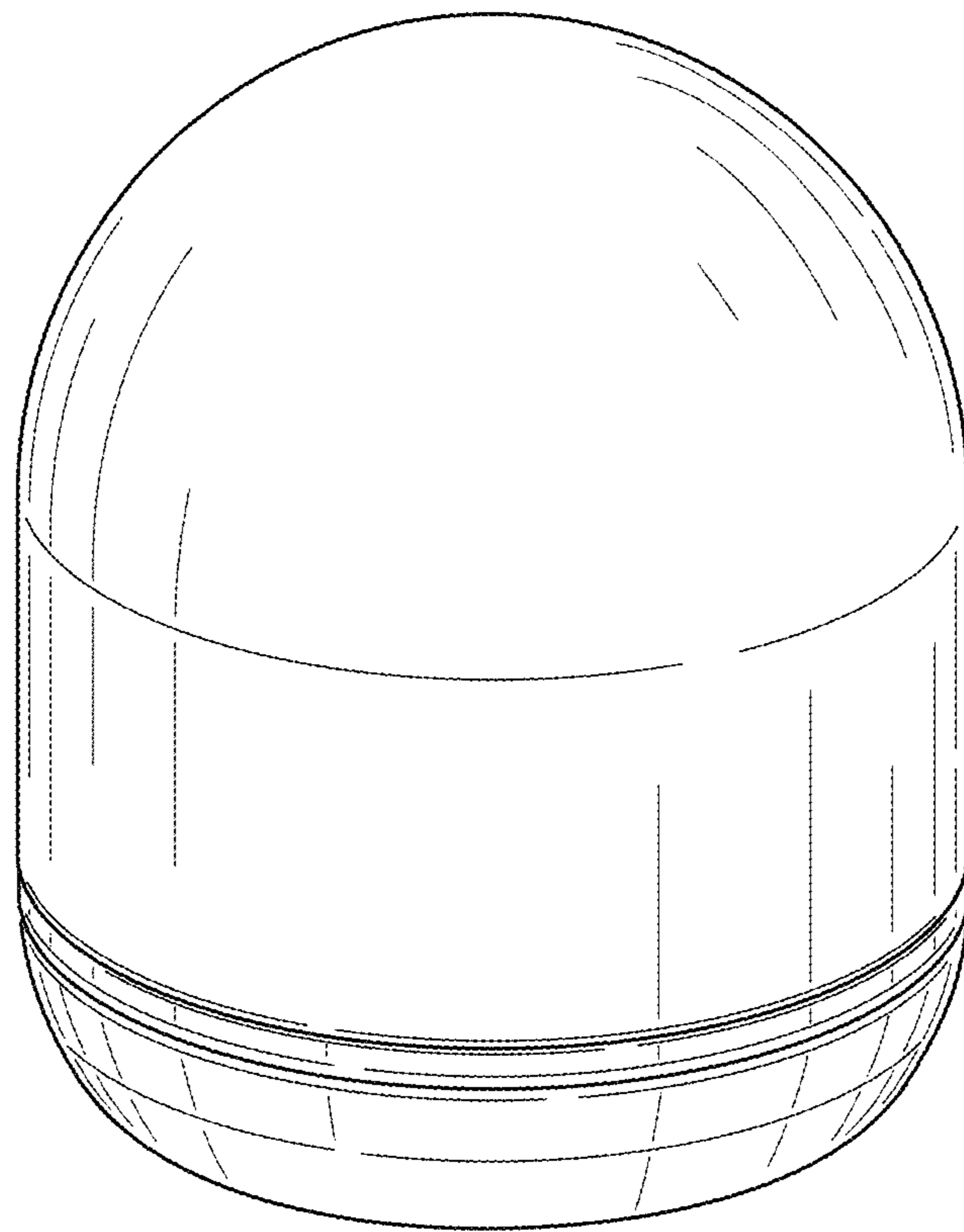


FIG. 1

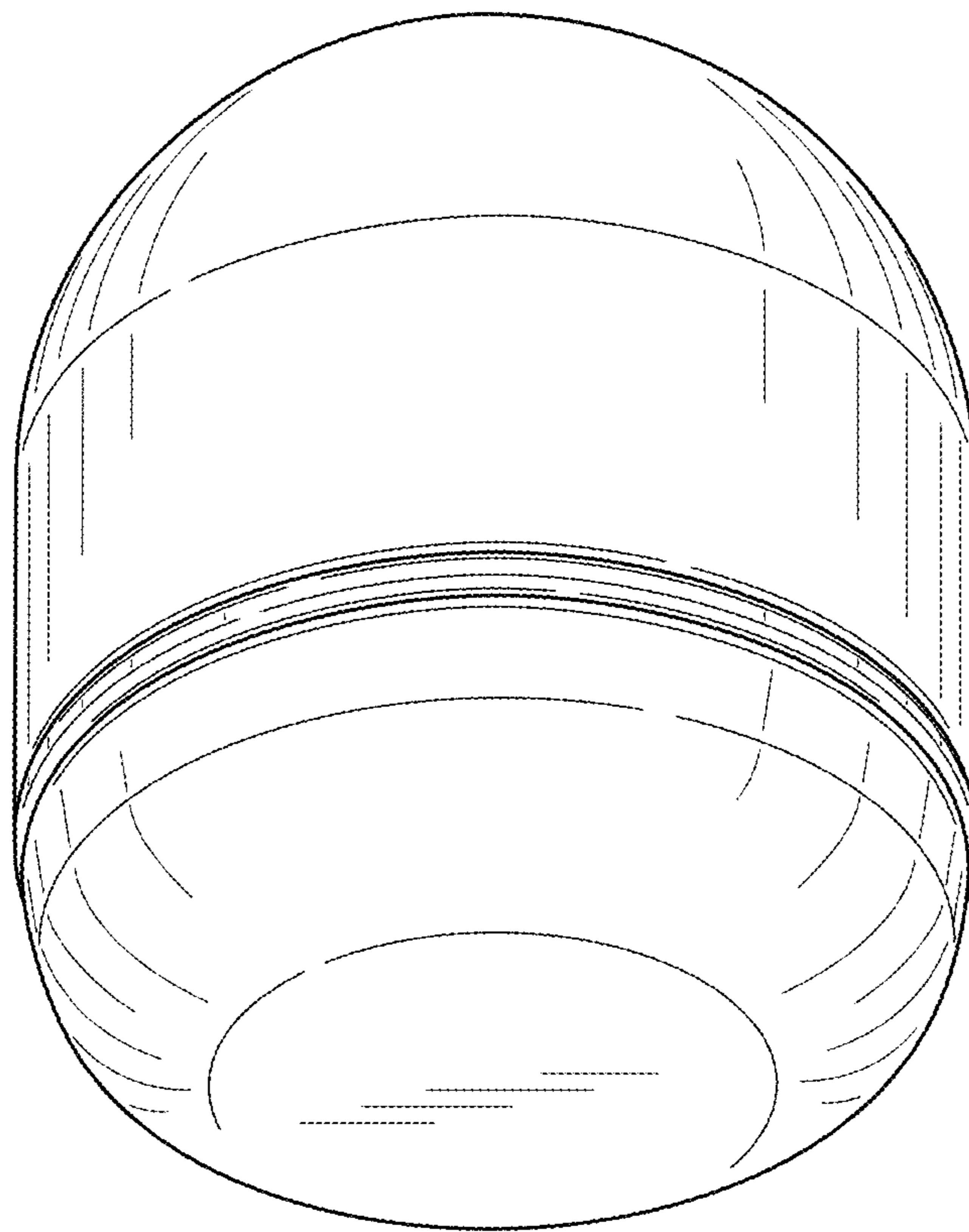


FIG. 2

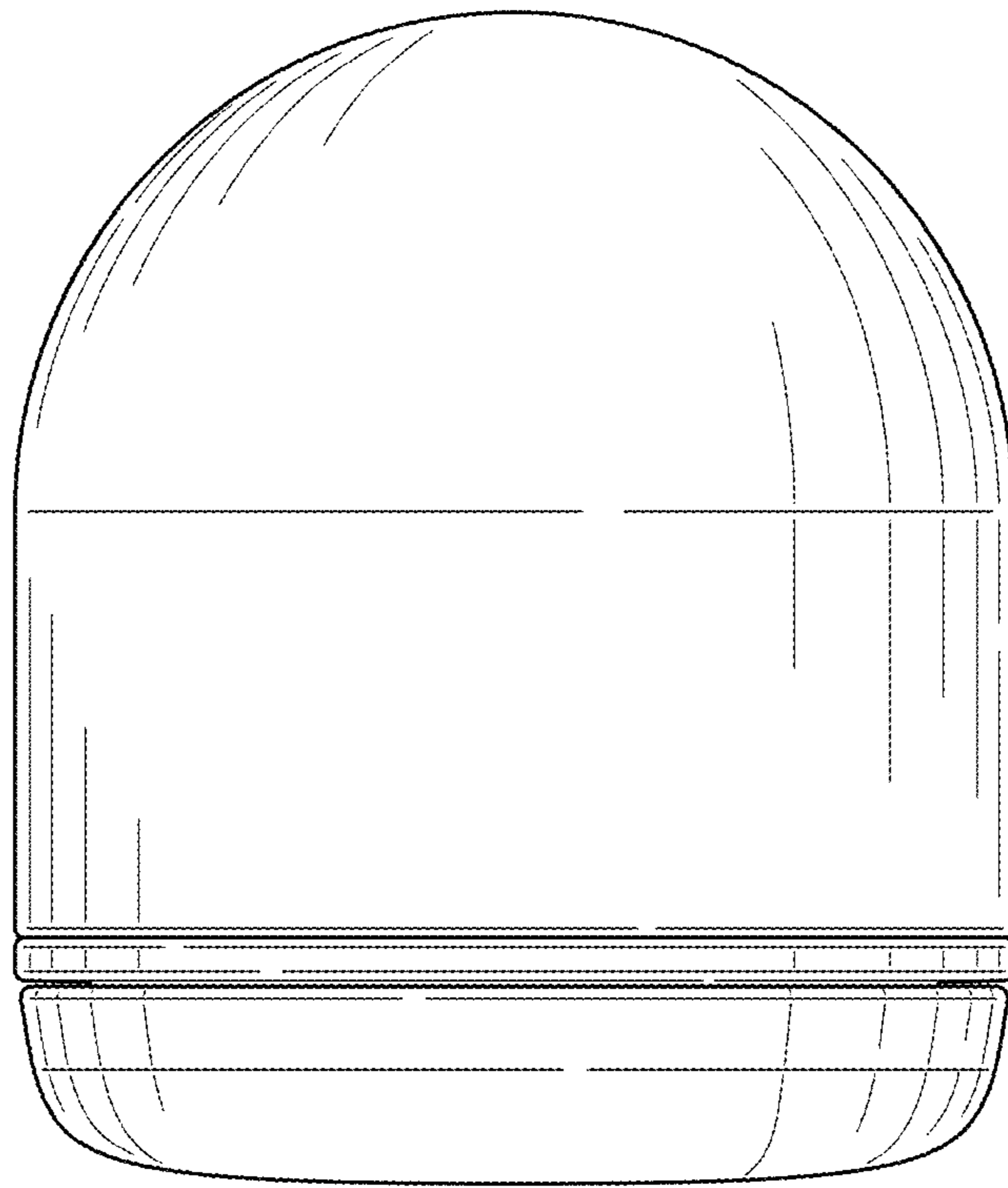


FIG. 3

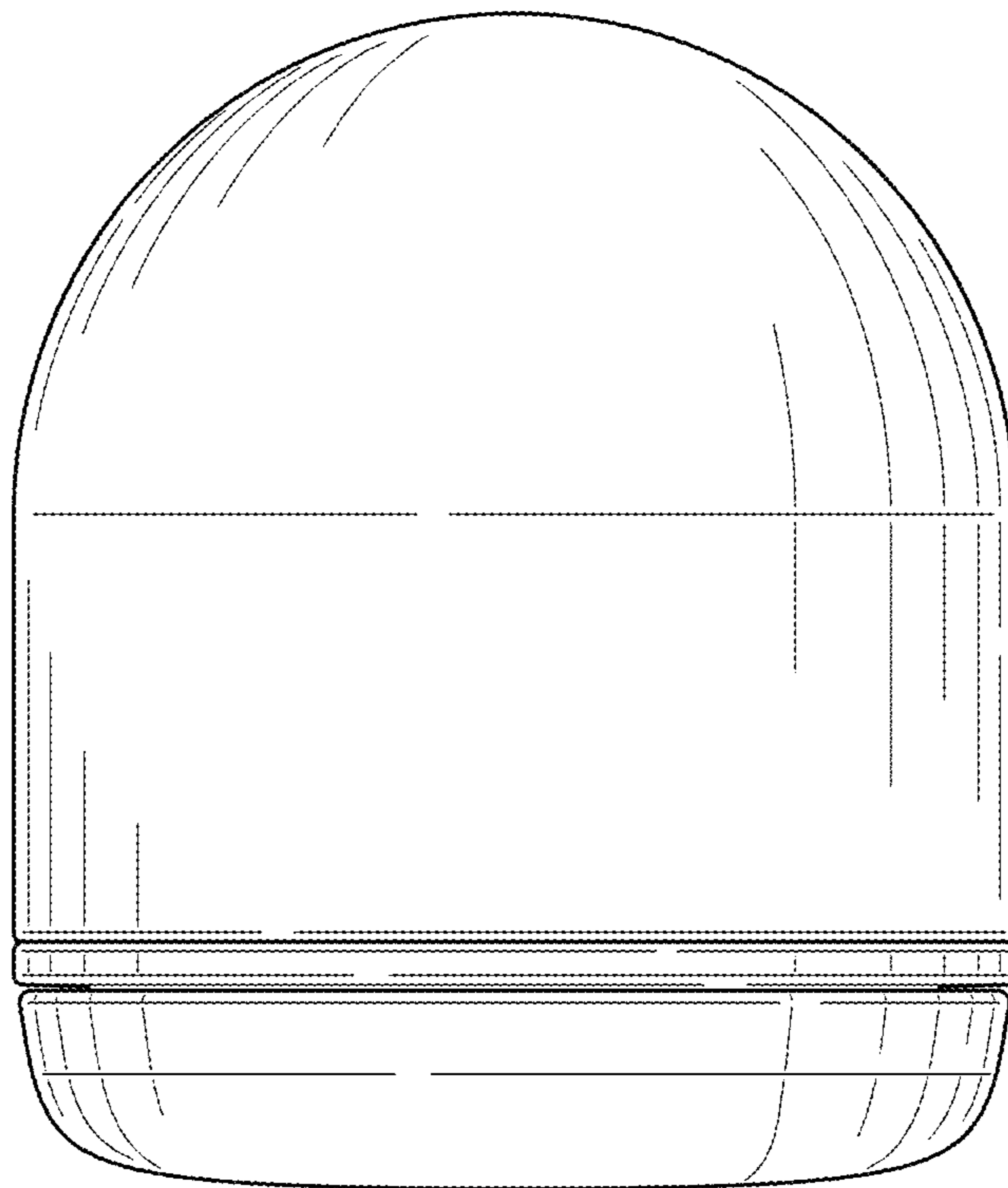


FIG. 4

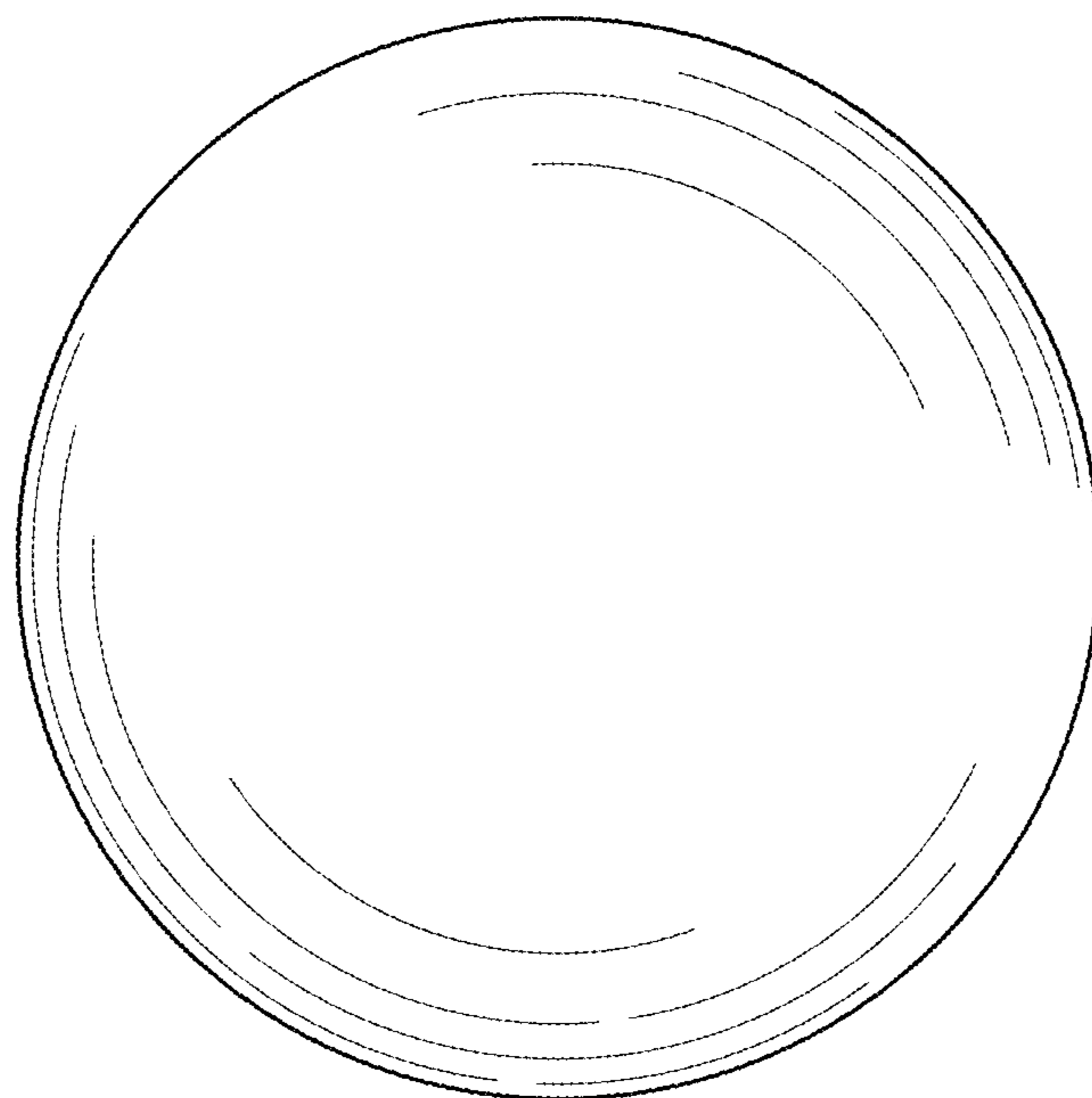


FIG. 5

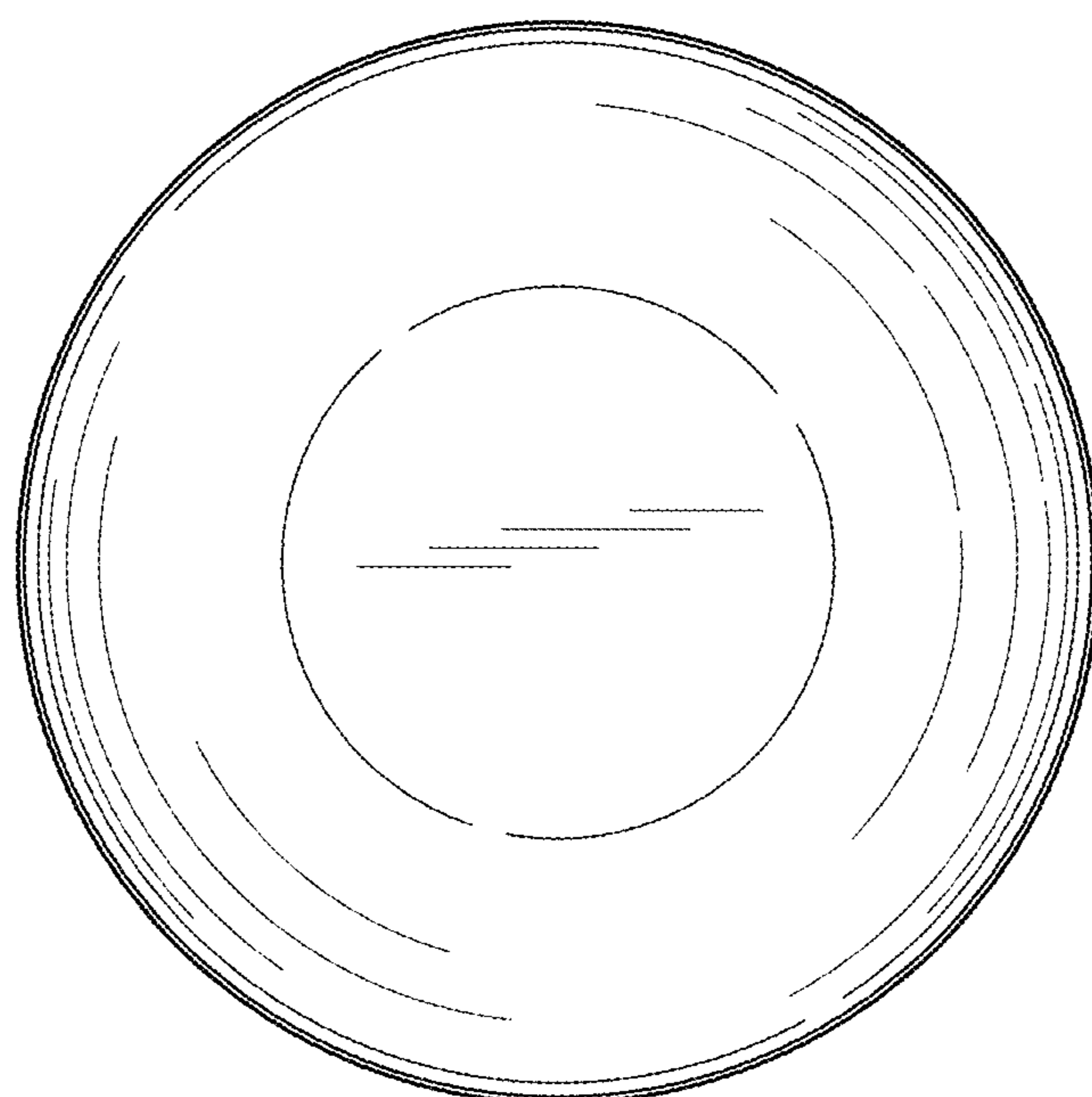


FIG. 6

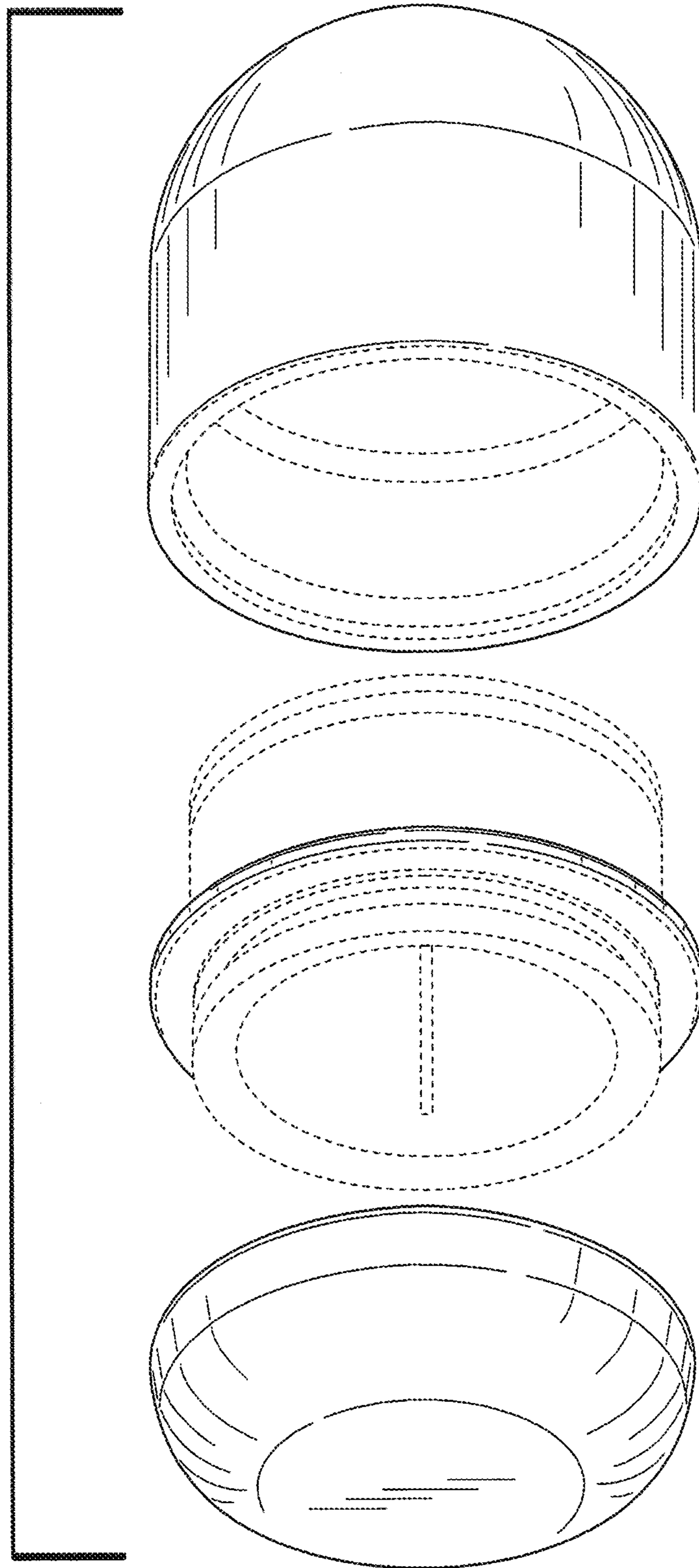


FIG. 7

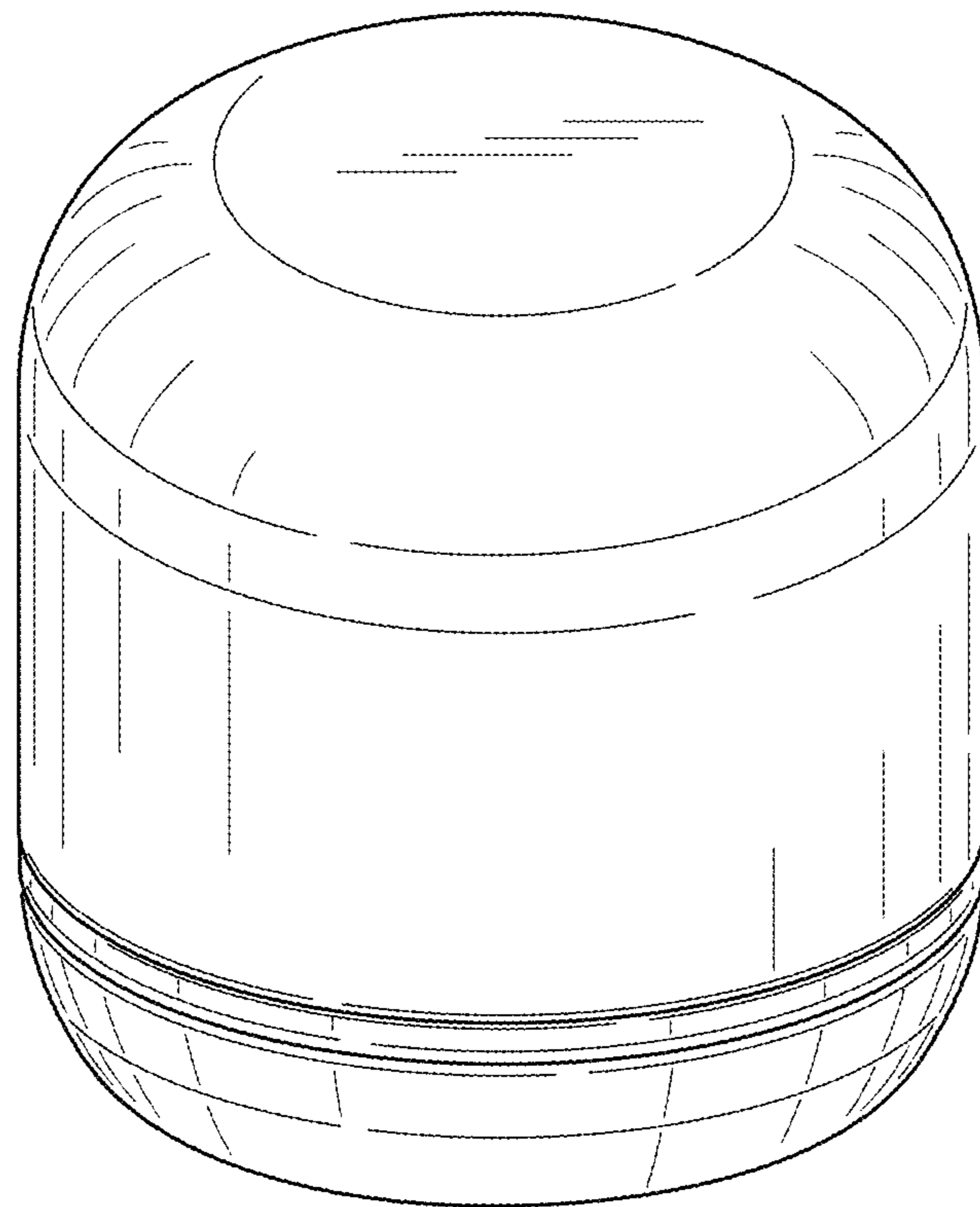


FIG. 8

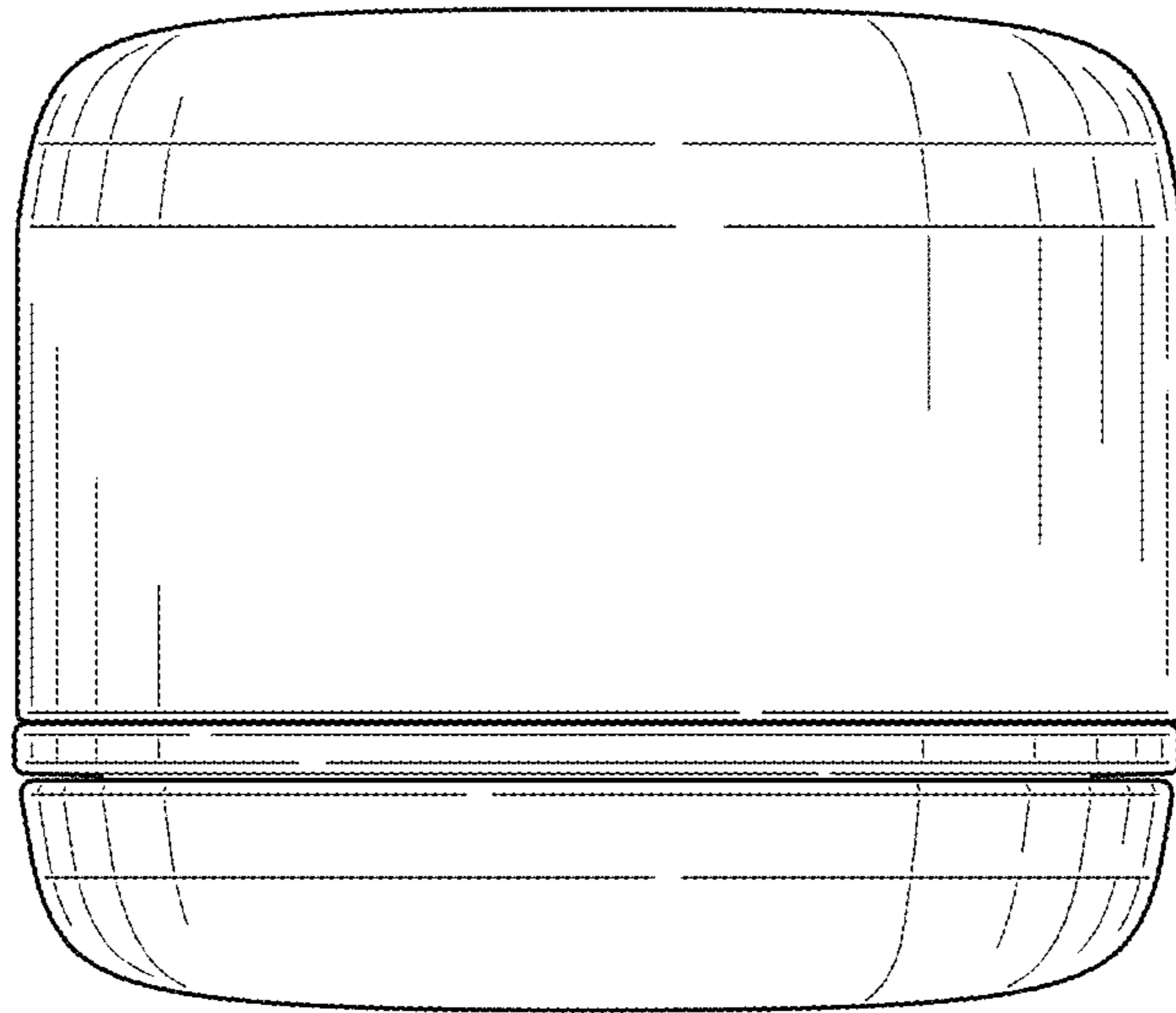


FIG. 9

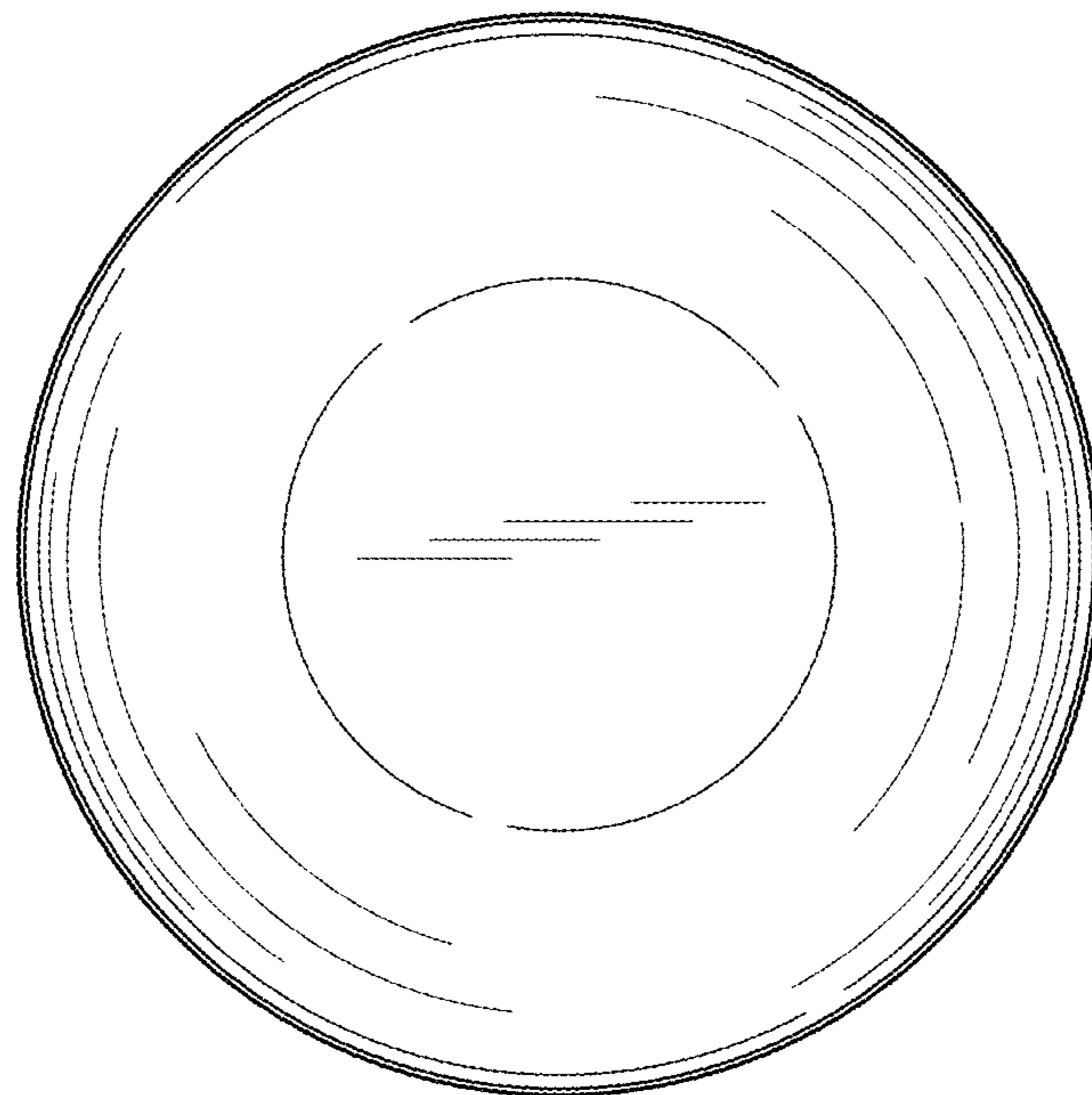


FIG. 10

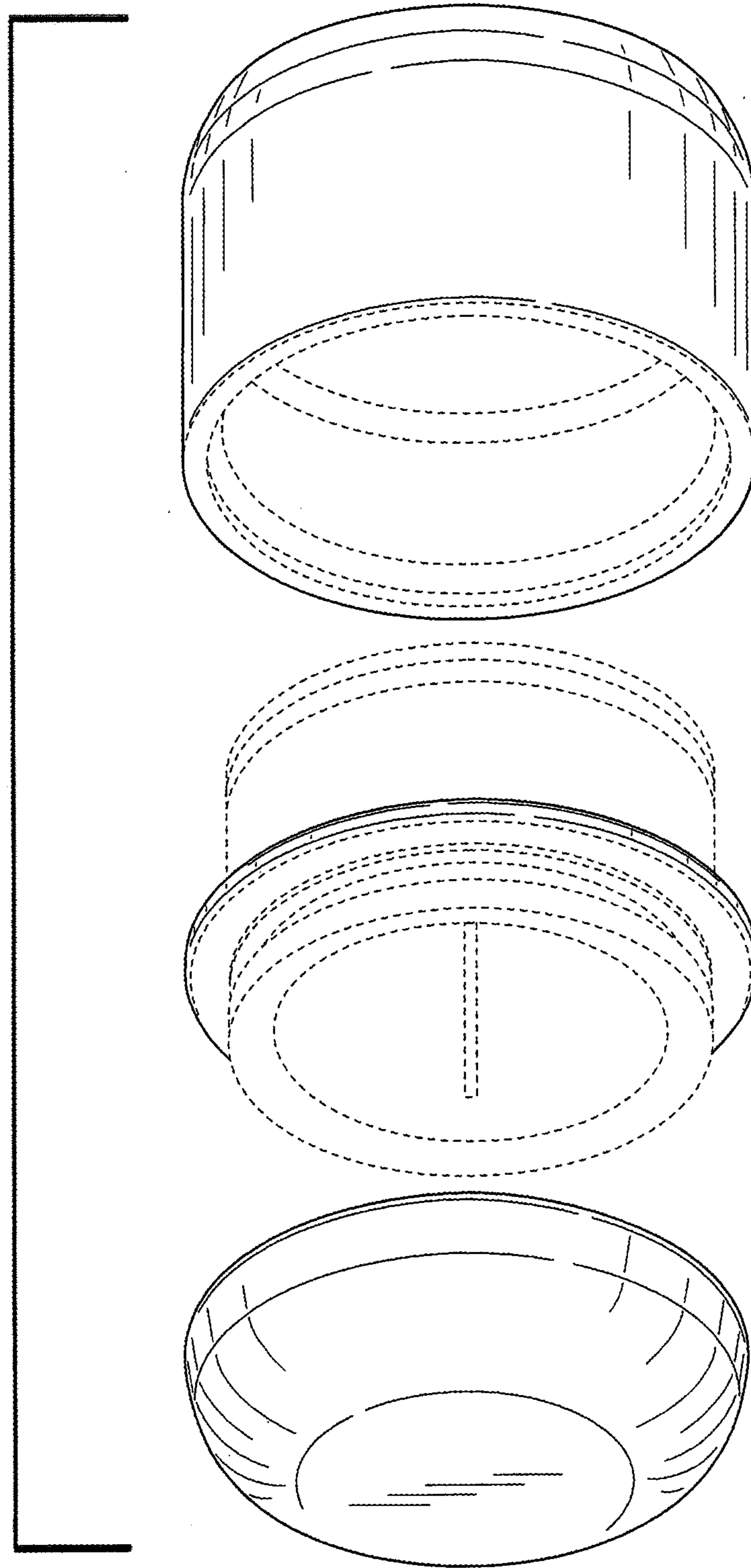


FIG. 11