



US00D825066S

(12) **United States Design Patent**
Liu et al.

(10) **Patent No.:** **US D825,066 S**
(45) **Date of Patent:** **** Aug. 7, 2018**

(54) **SURGICAL ARM**
(71) Applicant: **IMPERIAL INNOVATIONS LIMITED**, London (GB)
(72) Inventors: **Jindong Liu**, London (GB);
Guang-Zhong Yang, London (GB)
(73) Assignee: **IMPERIAL INNOVATIONS LIMITED**, London (GB)
(**) Term: **15 Years**
(21) Appl. No.: **35/501,298**
(22) Filed: **Feb. 3, 2016**
(80) **Hague Agreement Data**
Int. Filing Date: **Feb. 3, 2016**
Int. Reg. No.: **DM/091617**
Int. Reg. Date: **Feb. 3, 2016**
Int. Reg. Pub. Date: **Jul. 29, 2016**

(30) **Foreign Application Priority Data**
Aug. 3, 2015 (EM) 001437784-0001
(51) **LOC (11) Cl.** **24-01**
(52) **U.S. Cl.**
USPC **D24/199**; D24/158; D24/184
CPC **F16M 11/04** (2013.01)
(58) **Field of Classification Search**
USPC D24/158, 184–186, 232, 199; D14/452;
D15/199; 248/280.11; 700/245–251
CPC F16M 11/04; G06N 3/008; A61B 19/22;
A61B 17/06133
See application file for complete search history.

(56) **References Cited**
U.S. PATENT DOCUMENTS
D456,080 S * 4/2002 Karlsson D24/185
D549,346 S * 8/2007 Kraska D24/189

D570,487 S * 6/2008 Richenberger D24/184
D600,348 S * 9/2009 Dorre D24/158
D612,501 S * 3/2010 Richenberger D24/158
D616,477 S * 5/2010 Long D15/199
D655,324 S * 3/2012 Wong D15/199
8,241,271 B2 * 8/2012 Millman A61M 1/0058
604/29
D677,294 S * 3/2013 Long D15/199
D688,803 S * 8/2013 Gilbert D24/177
D702,841 S * 4/2014 Wyrozub D24/184
D728,800 S * 5/2015 Klein D24/184
9,068,628 B2 * 6/2015 Solomon B25J 9/1045
D749,223 S * 2/2016 Vargas D24/185
9,408,622 B2 * 8/2016 Stulen A61B 17/29
D768,219 S * 10/2016 Kraus D15/199
2005/0126327 A1 * 6/2005 Markert B25J 19/0054
74/490.02
2010/0234996 A1 * 9/2010 Schreiber B25J 13/085
700/258

* cited by examiner

Primary Examiner — Richard E Chilcot
(74) *Attorney, Agent, or Firm* — Sterne, Kessler,
Goldstein & Fox P.L.L.C.

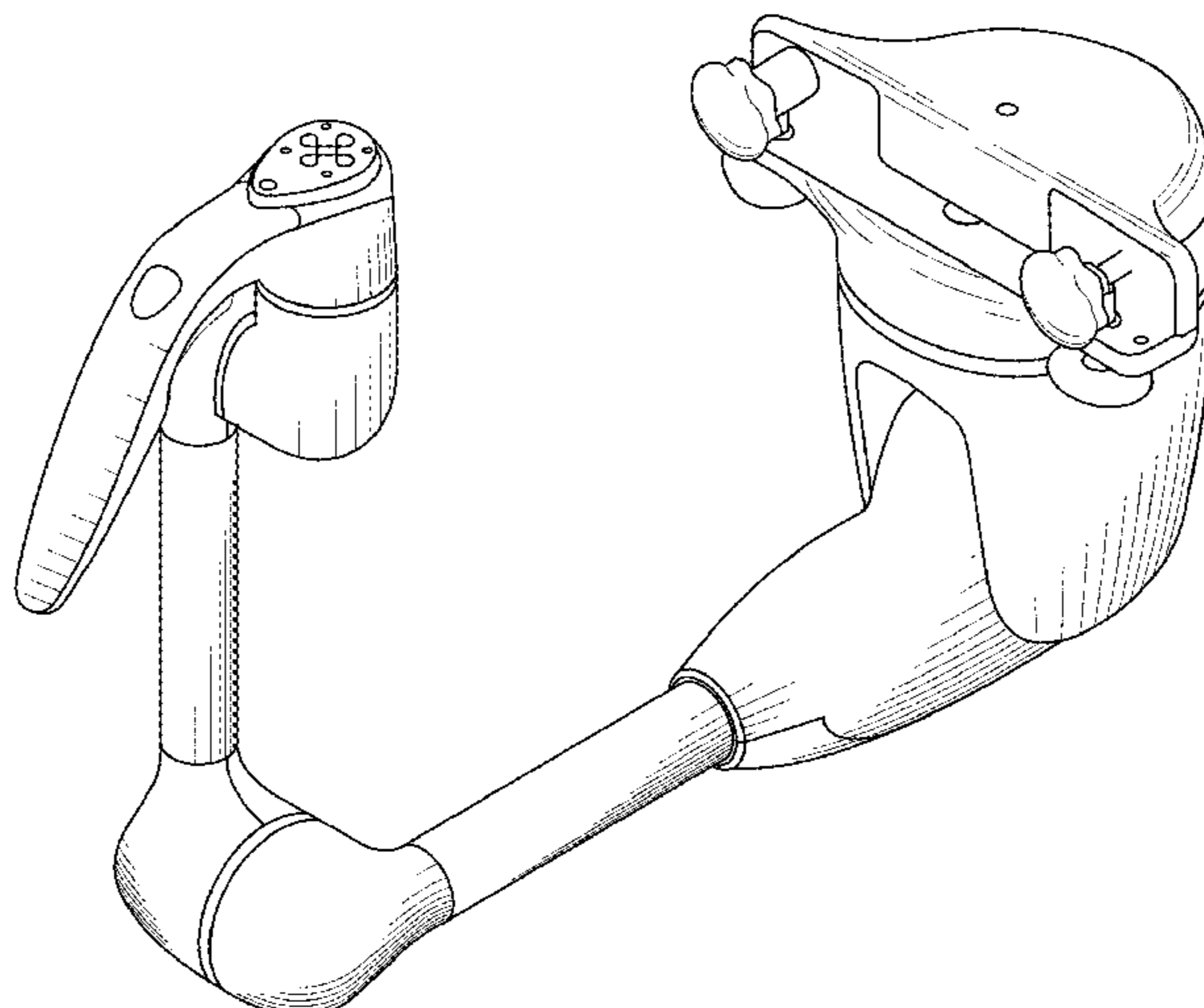
(57) **CLAIM**

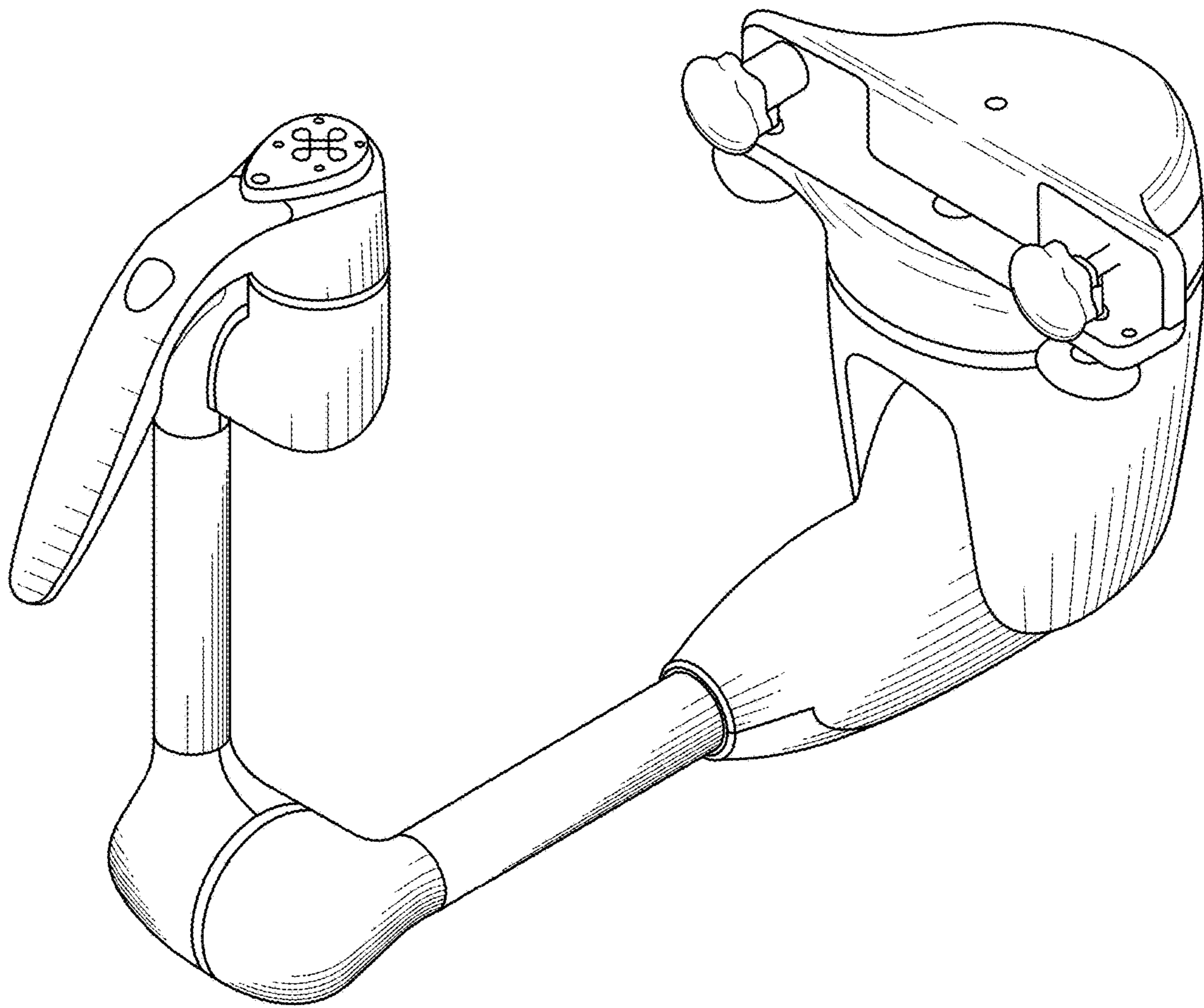
The ornamental design for a surgical arm, as shown and described.

DESCRIPTION

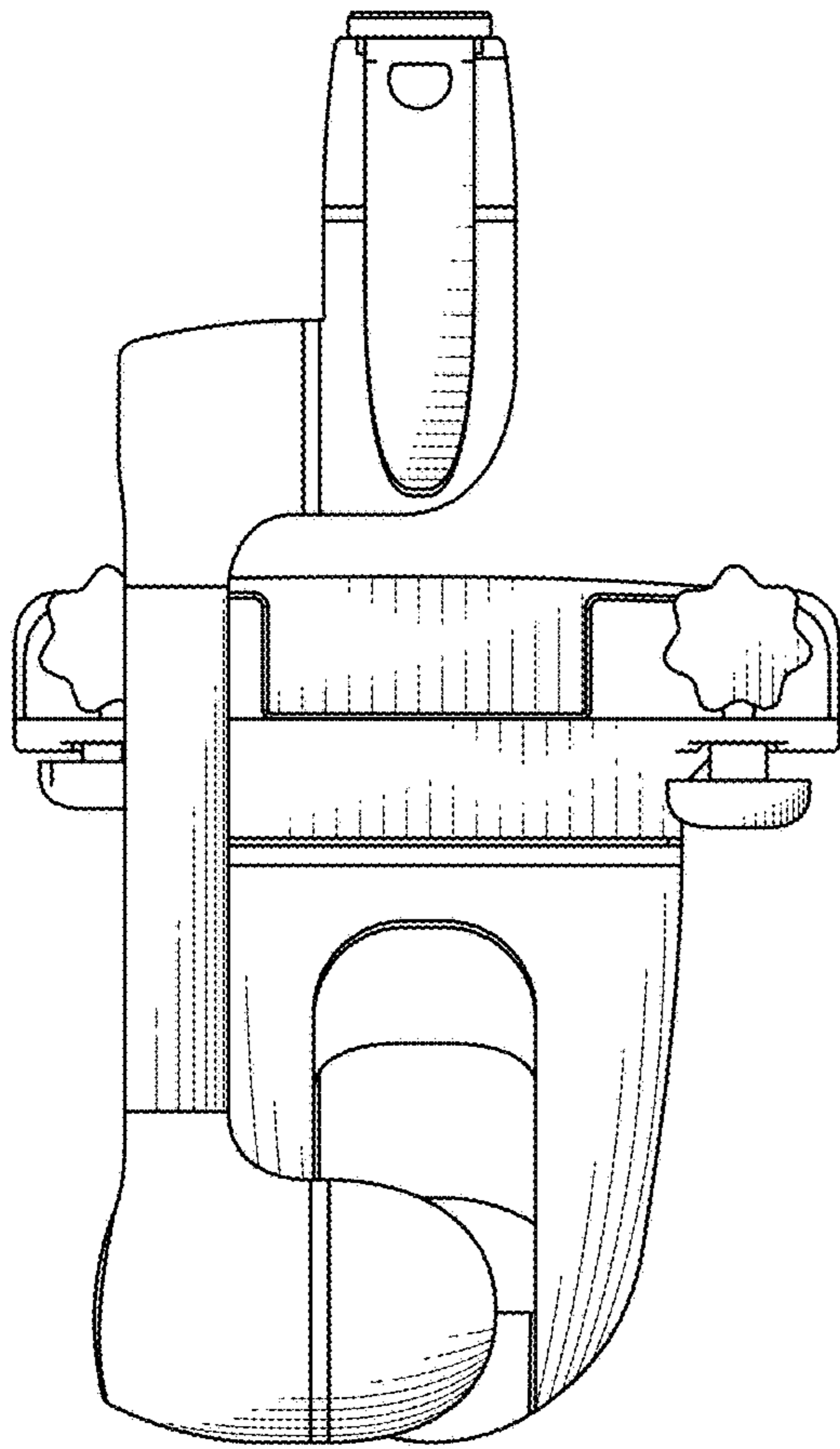
1. A surgical instrument, specifically a surgical arm
1.1 is a perspective view of a surgical arm showing the claimed design;
1.2 is a front view thereof;
1.3 is a back view thereof;
1.4 is a left side view thereof;
1.5 is a right side view thereof;
1.6 is a top view thereof; and
1.7 is a bottom view thereof.

1 Claim, 5 Drawing Sheets

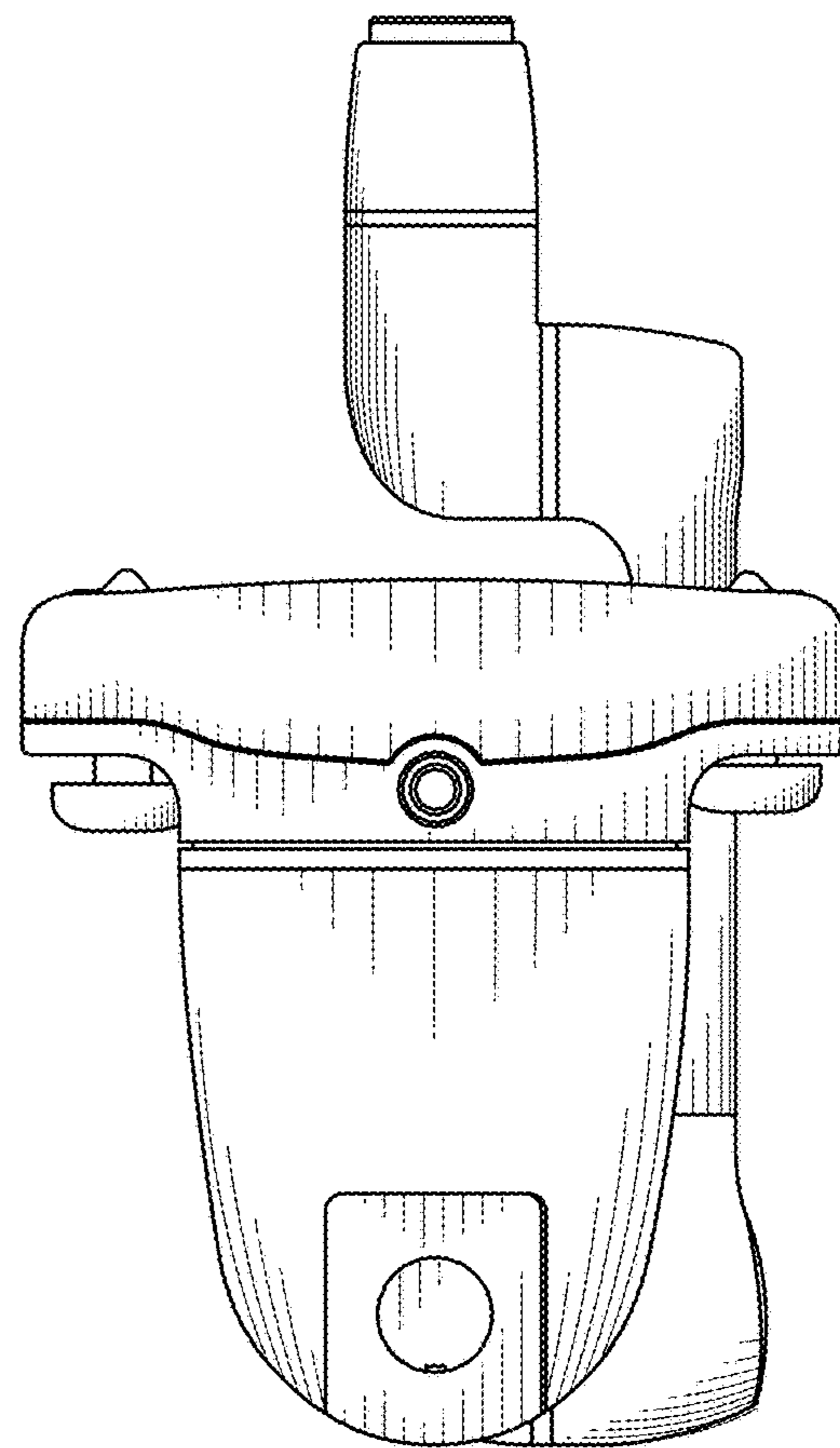




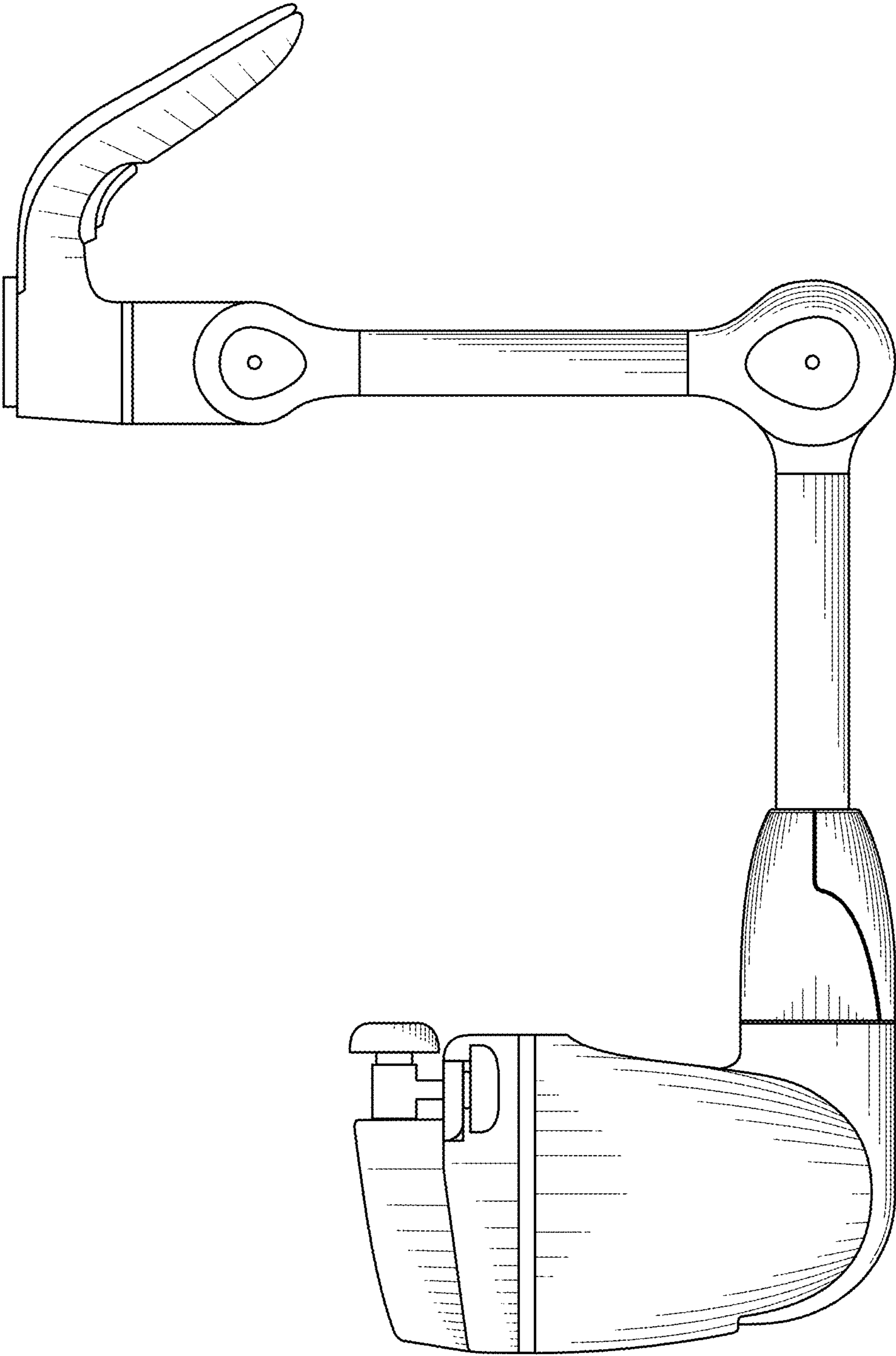
1.1



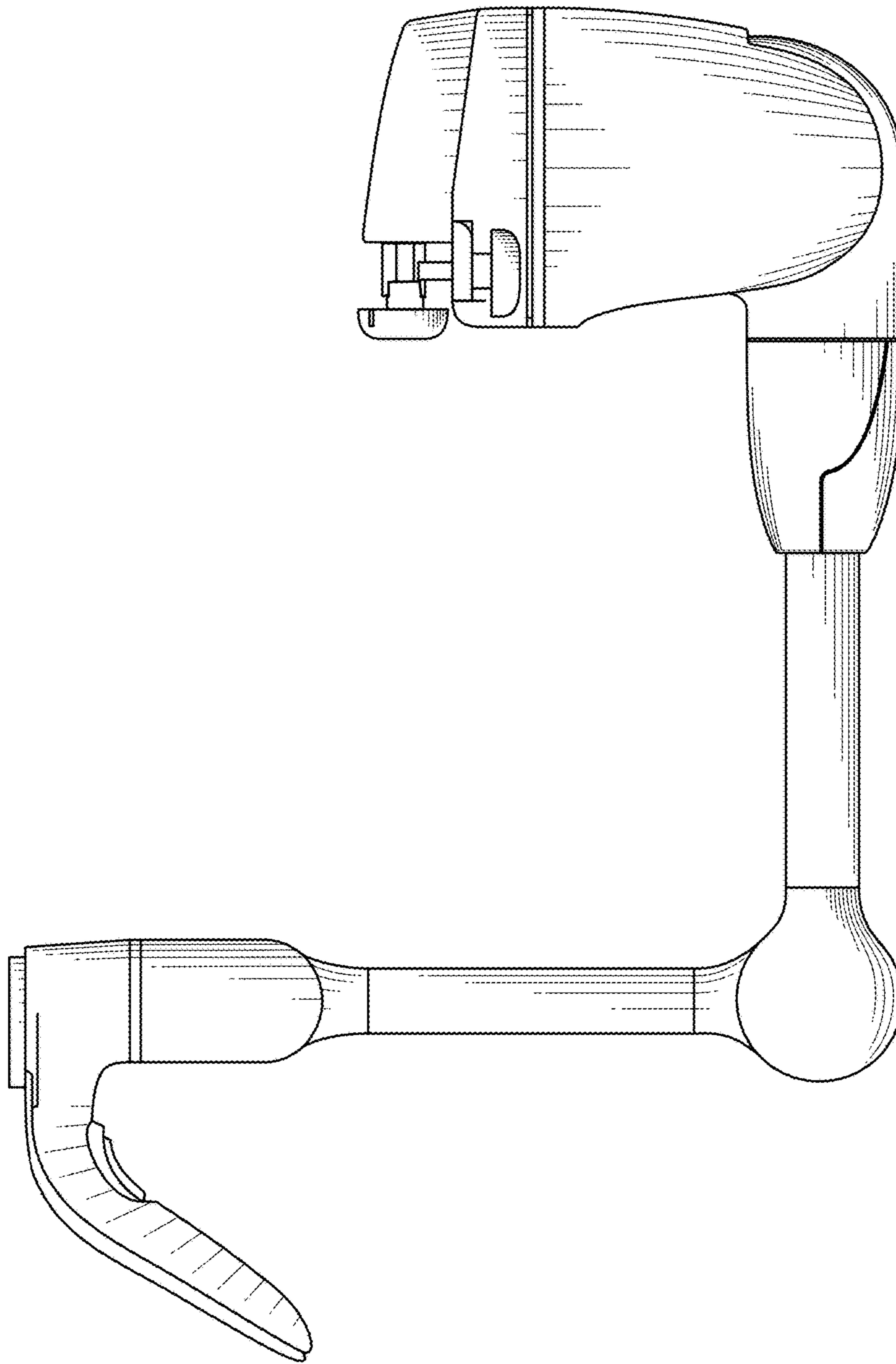
1.2



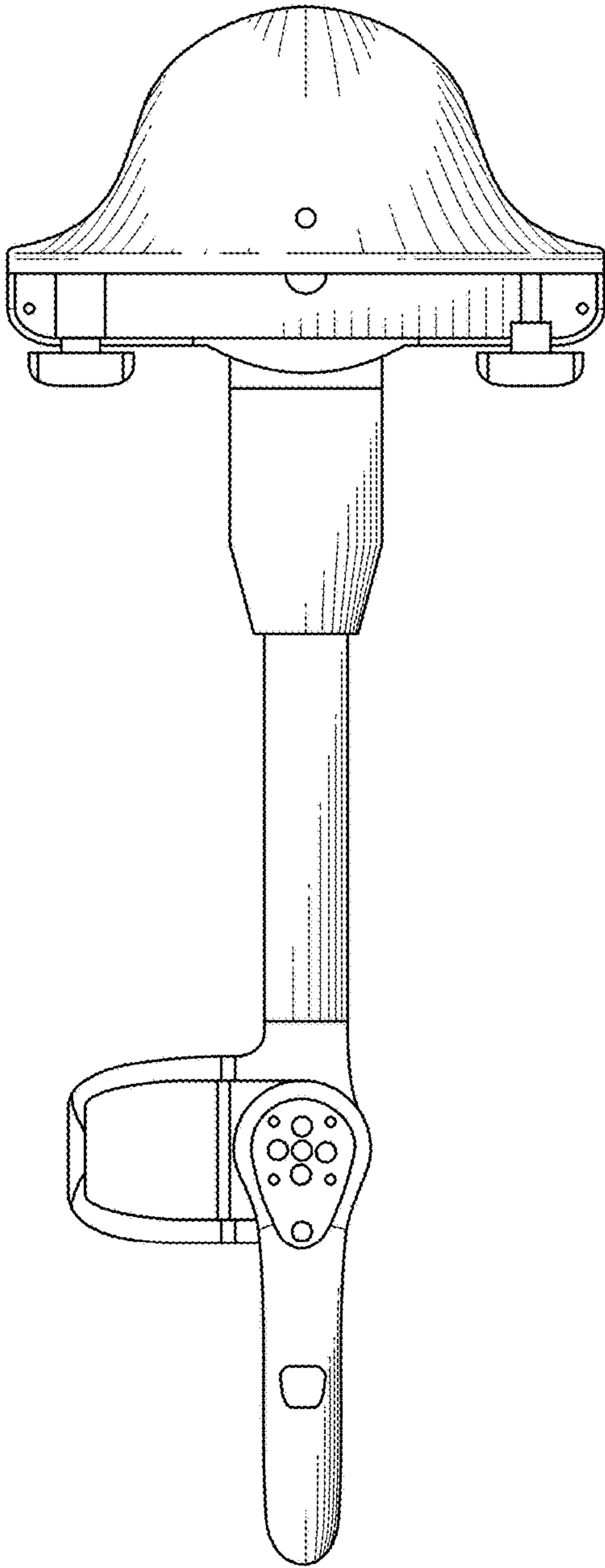
1.3



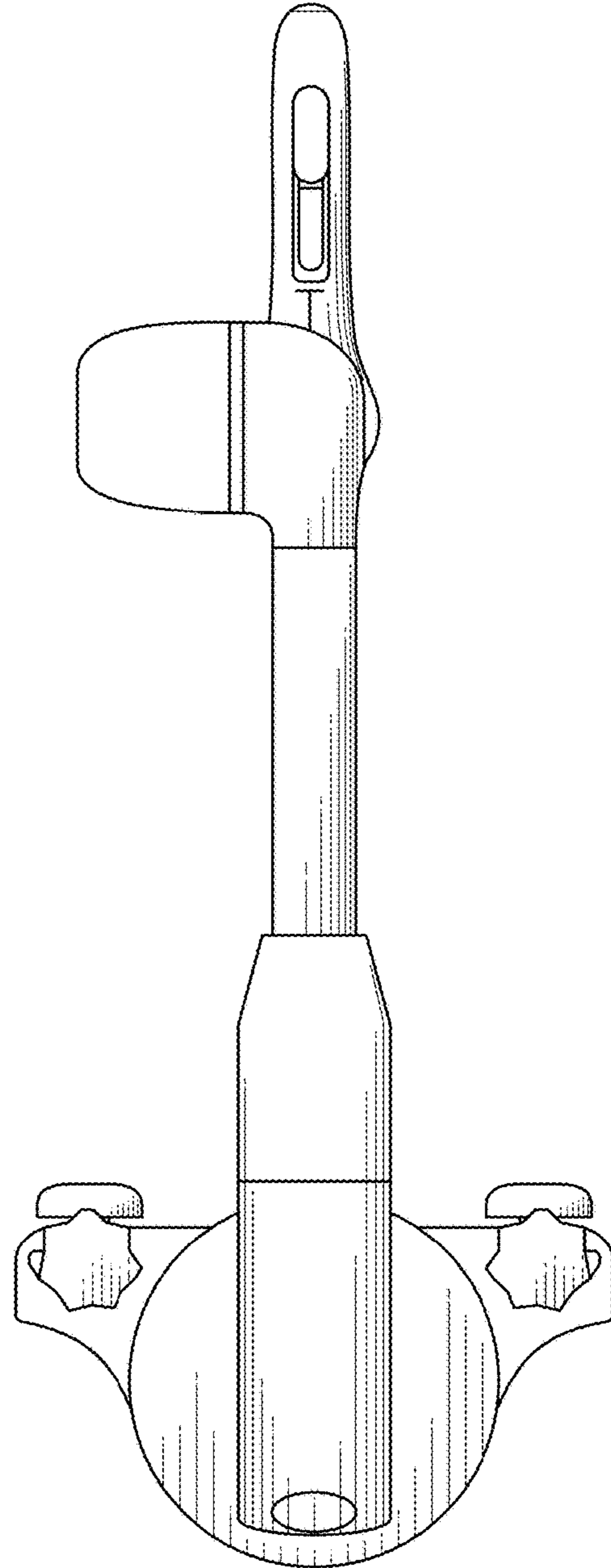
1.4



1.5



1.6



1.7