



US00D825065S

(12) **United States Design Patent** (10) **Patent No.:** **US D825,065 S**  
**Wong** (45) **Date of Patent:** **\*\* Aug. 7, 2018**

(54) **FINGER SPLINT**

(71) Applicant: **Julielynn Yee-Ching Wong**, Toronto (CA)

(72) Inventor: **Julielynn Yee-Ching Wong**, Toronto (CA)

(\*\*) Term: **15 Years**

(21) Appl. No.: **29/615,856**

(22) Filed: **Aug. 31, 2017**

**Related U.S. Application Data**

(62) Division of application No. 29/548,649, filed on Dec. 15, 2015, now Pat. No. Des. 799,710.

(51) **LOC (11) Cl.** ..... **24-01**

(52) **U.S. Cl.**  
USPC ..... **D24/190**

(58) **Field of Classification Search**  
USPC ..... D24/189, 190, 192; D29/113, 114  
CPC ..... A61F 5/05875  
See application file for complete search history.

(56) **References Cited**

**U.S. PATENT DOCUMENTS**

2,548,378	A *	4/1951	Kleinfeld	.....	A61F 5/05875 602/22
6,110,136	A *	8/2000	Belkin	.....	A61F 5/05866 128/880
D575,906	S *	8/2008	Drangel	.....	D29/114
8,771,212	B1 *	7/2014	Garris	.....	A61F 5/05875 602/20
D793,568	S *	8/2017	Wong	.....	D24/190
D799,710	S *	10/2017	Wong	.....	D24/190
D801,541	S *	10/2017	Wang	.....	D24/190
2008/0255487	A1 *	10/2008	Bolla	.....	A61F 5/05875 602/22

(Continued)

*Primary Examiner* — George D. Kirschbaum

*Assistant Examiner* — Jennifer L. Watkins

(74) *Attorney, Agent, or Firm* — Sunstein Kann Murphy & Timbers LLP

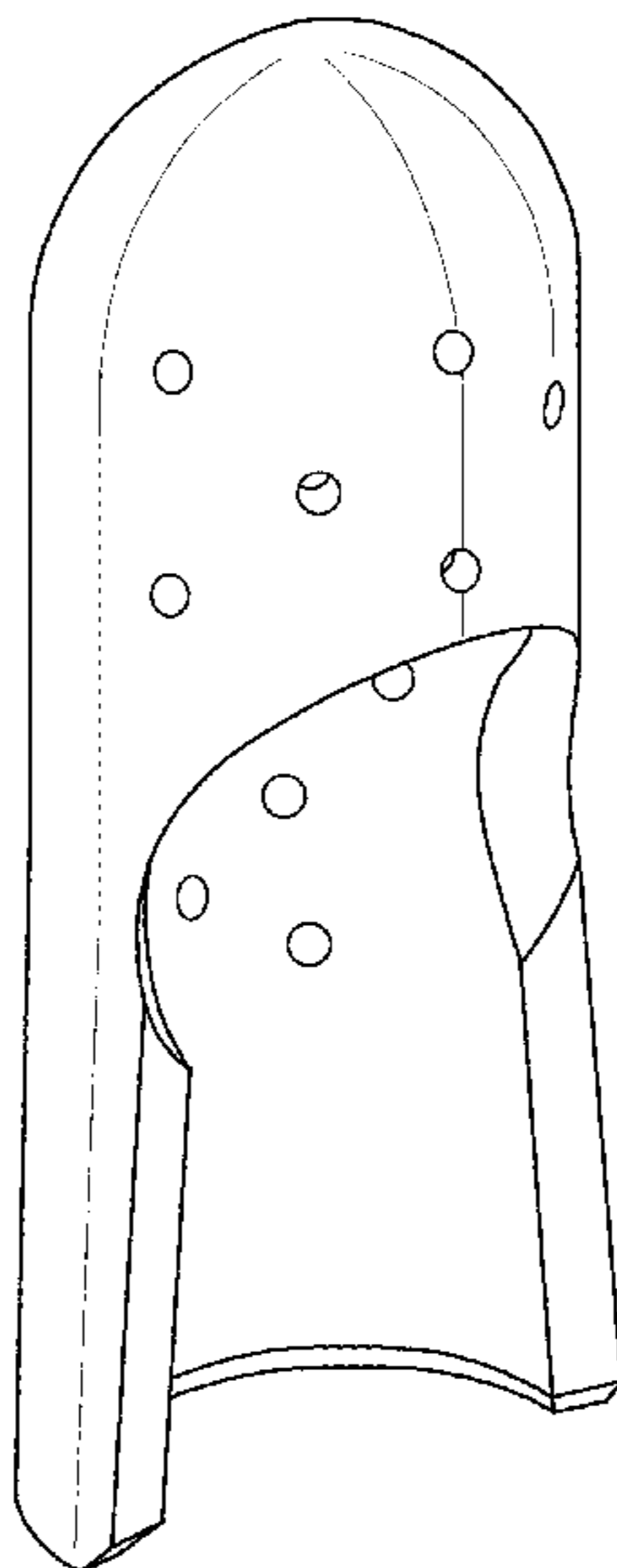
(57) **CLAIM**

The ornamental design for a finger splint, as shown and described.

**DESCRIPTION**

FIG. 1 shows a rear perspective view of a first embodiment of a finger splint in accordance with the present invention; FIG. 2 shows a front view of the first embodiment; FIG. 3 shows a rear view of the first embodiment; FIG. 4 shows a right side view of the first embodiment; FIG. 5 shows a left side view of the first embodiment; FIG. 6 shows a top view of the first embodiment; FIG. 7 shows a bottom view of the first embodiment; FIG. 8 shows a rear perspective view of a second embodiment of a finger splint in accordance with the present invention; FIG. 9 shows a front view of the second embodiment; FIG. 10 shows a rear view of the second embodiment; FIG. 11 shows a right side view of the second embodiment; FIG. 12 shows a left side view of the second embodiment; FIG. 13 shows a top view of the second embodiment; FIG. 14 shows a bottom view of the second embodiment; FIG. 15 shows a rear perspective view of a third embodiment of a finger splint in accordance with the present invention; FIG. 16 shows a front view of the third embodiment; FIG. 17 shows a rear view of the third embodiment; FIG. 18 shows a right side view of the third embodiment; FIG. 19 shows a left side view of the third embodiment; FIG. 20 shows a top view of the third embodiment; and, FIG. 21 shows a bottom view of the third embodiment.

**1 Claim, 12 Drawing Sheets**



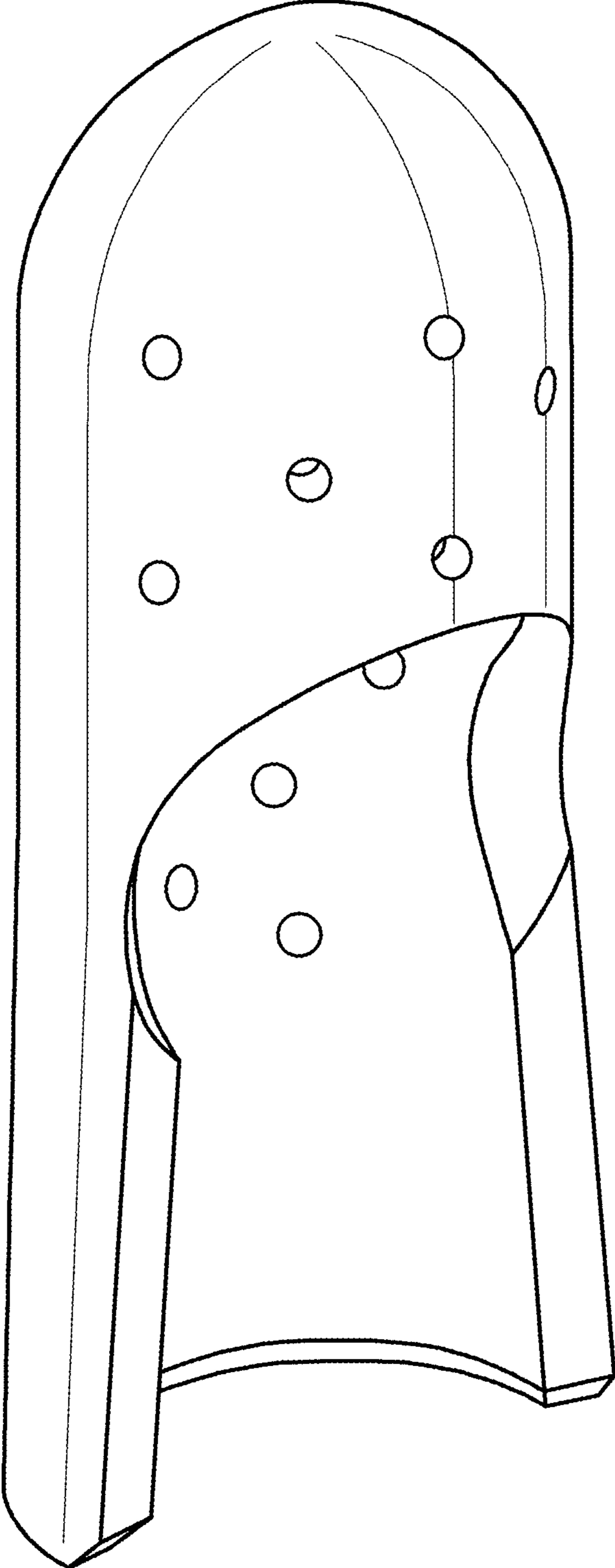
(56)

**References Cited**

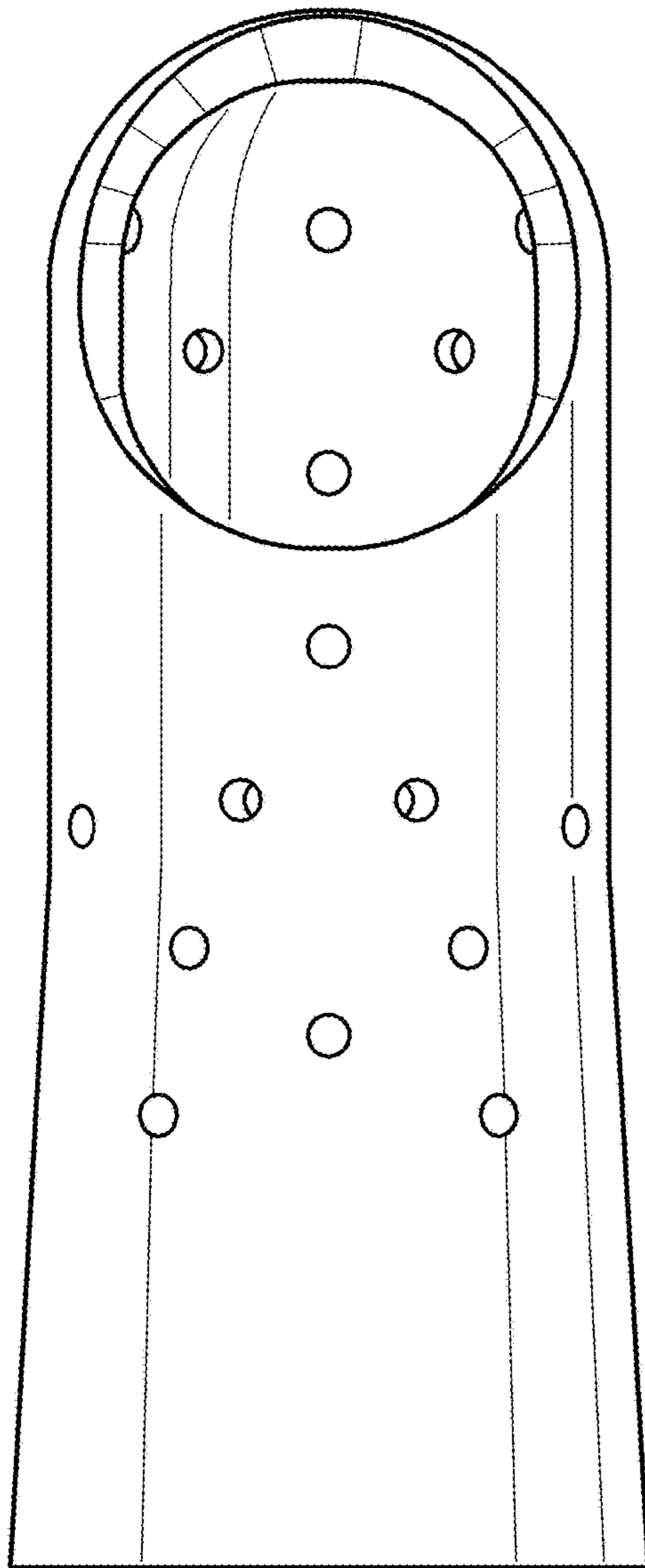
U.S. PATENT DOCUMENTS

2009/0204044 A1\* 8/2009 Benison ..... A61F 5/05875  
602/22  
2010/0004576 A1\* 1/2010 Molnar ..... A61F 5/05875  
602/22  
2014/0267116 A1\* 9/2014 Weiner ..... A61F 5/05866  
345/173

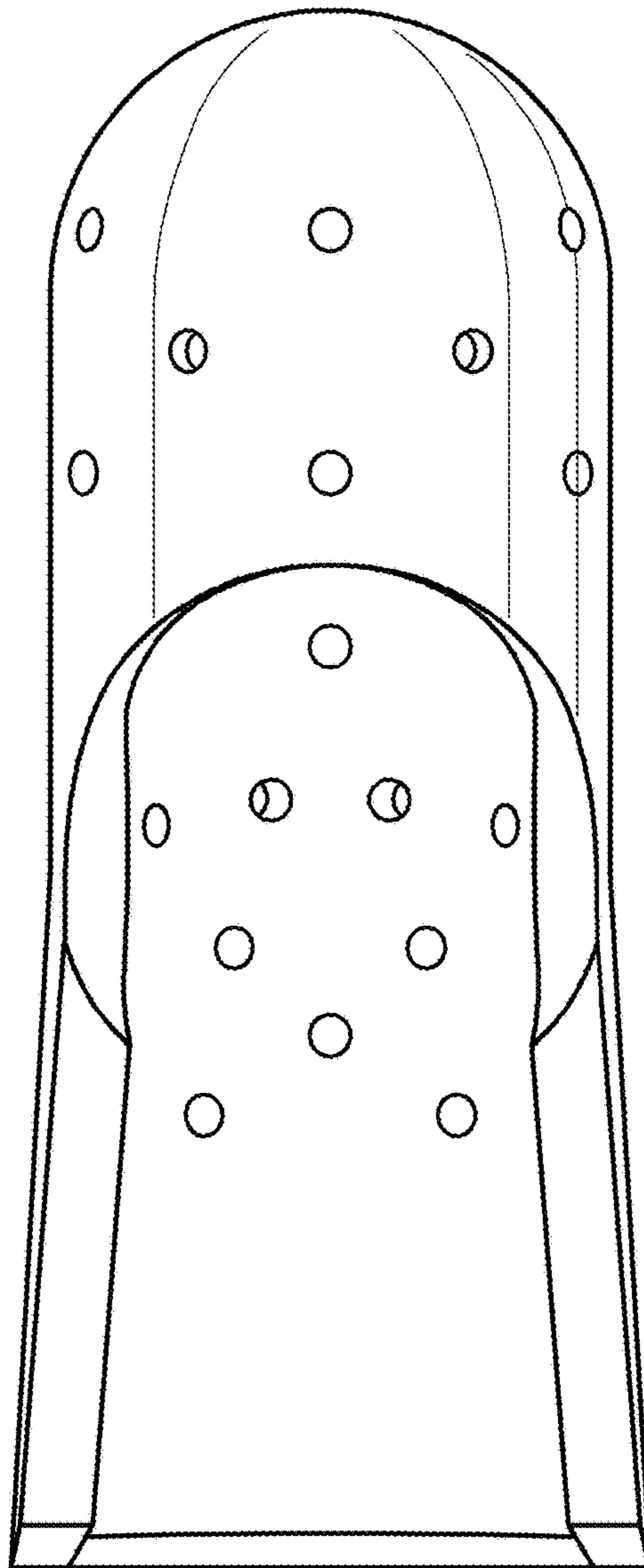
\* cited by examiner



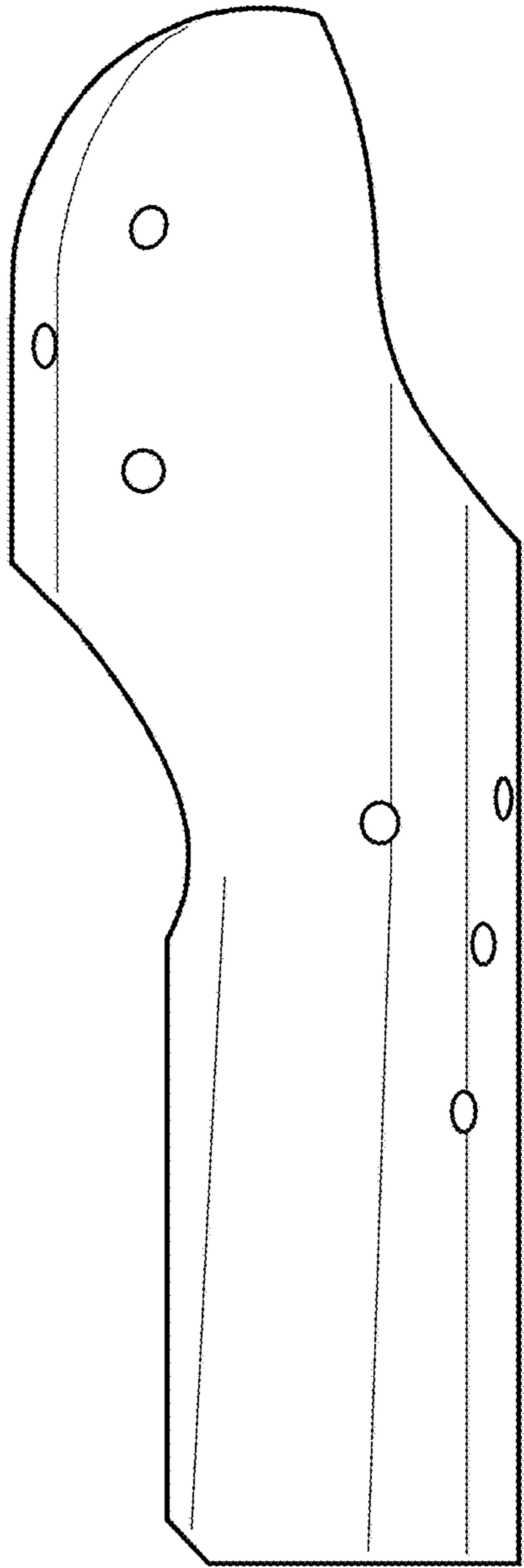
**FIG. 1**



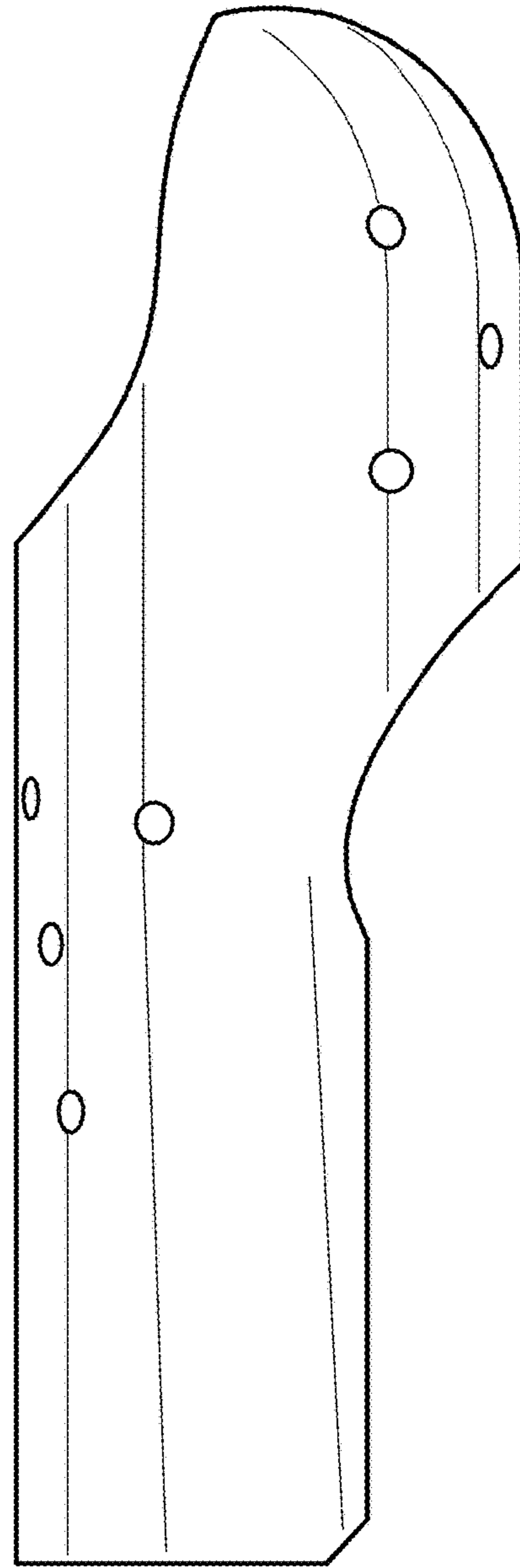
**FIG. 2**



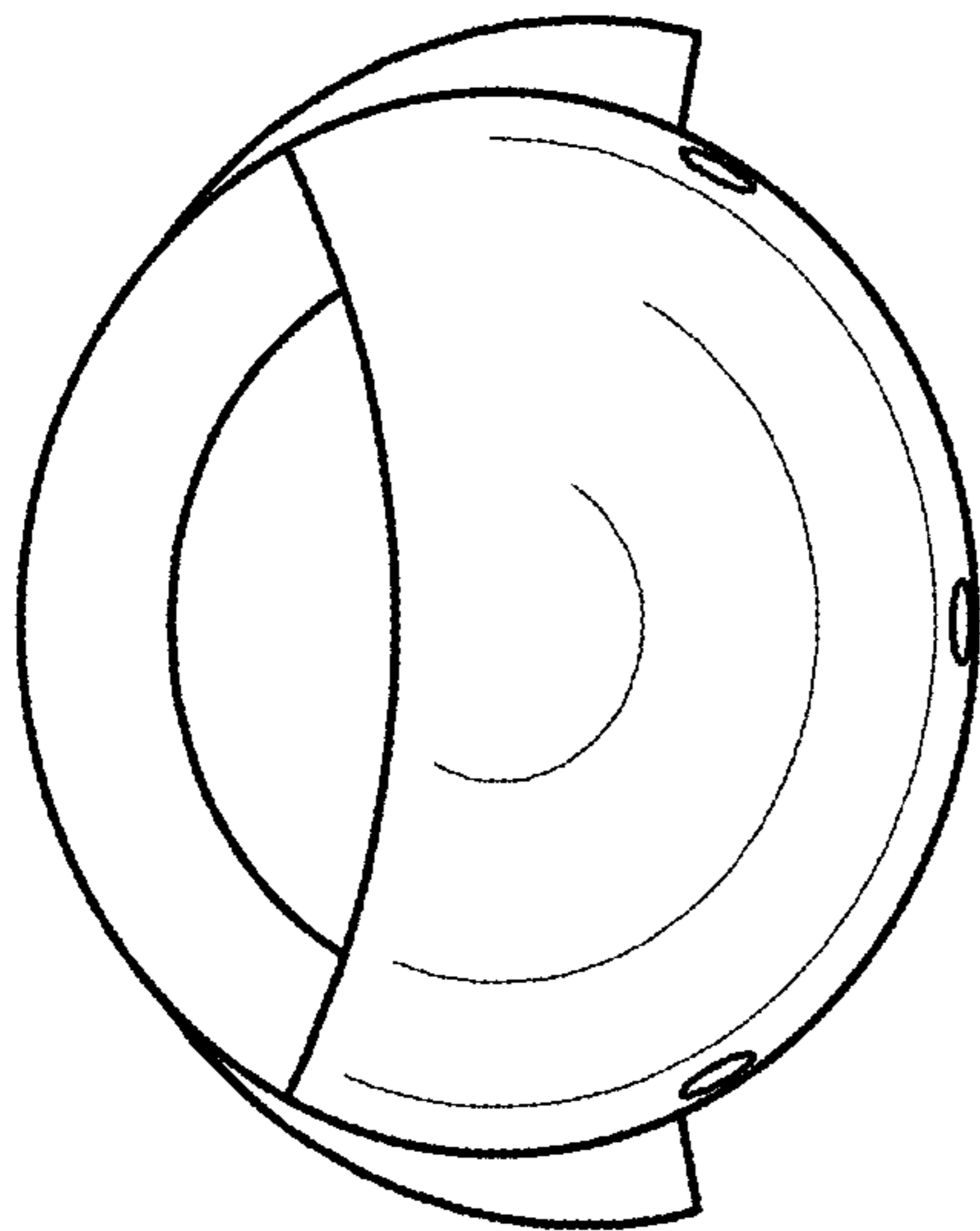
**FIG. 3**



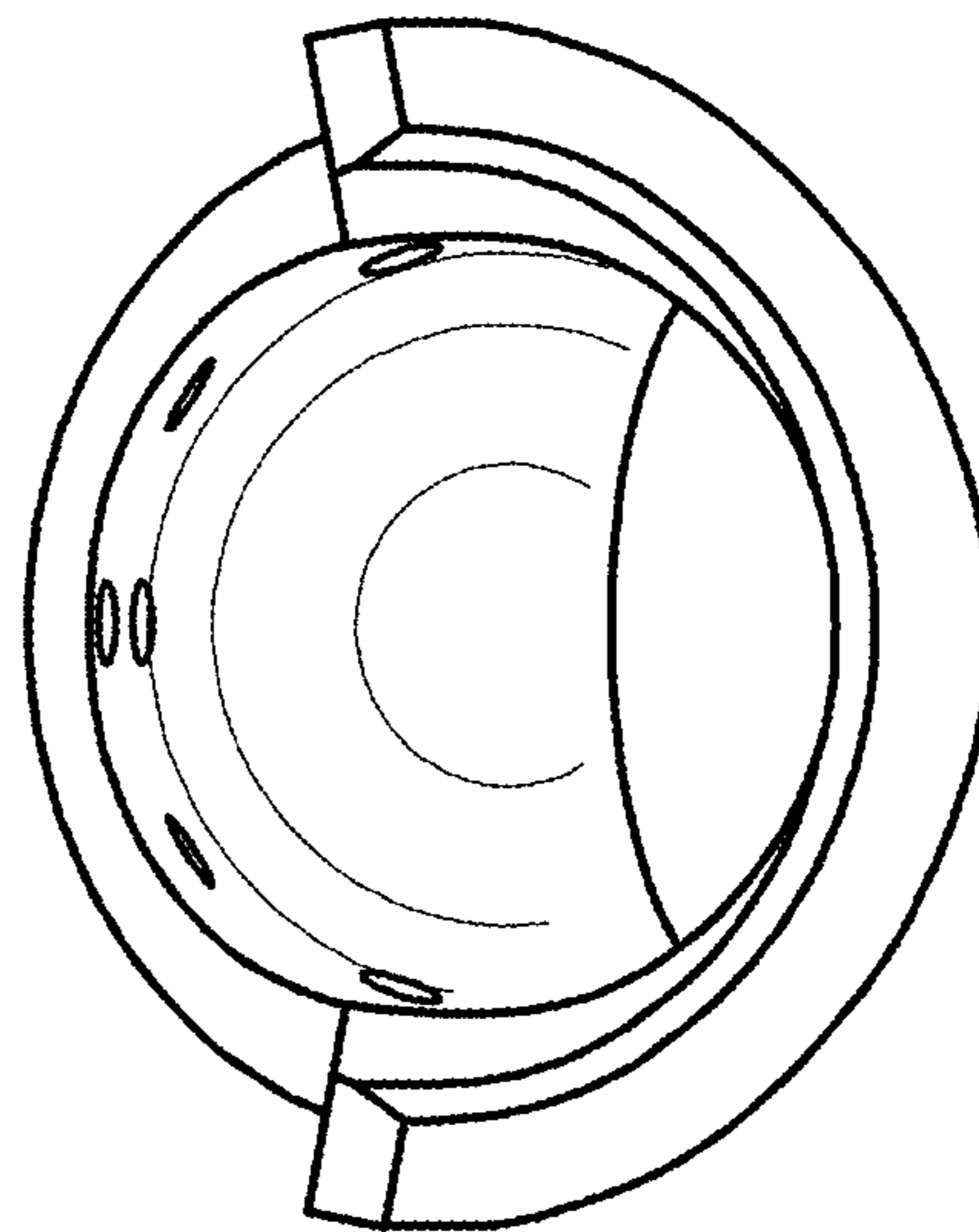
**FIG. 4**



**FIG. 5**

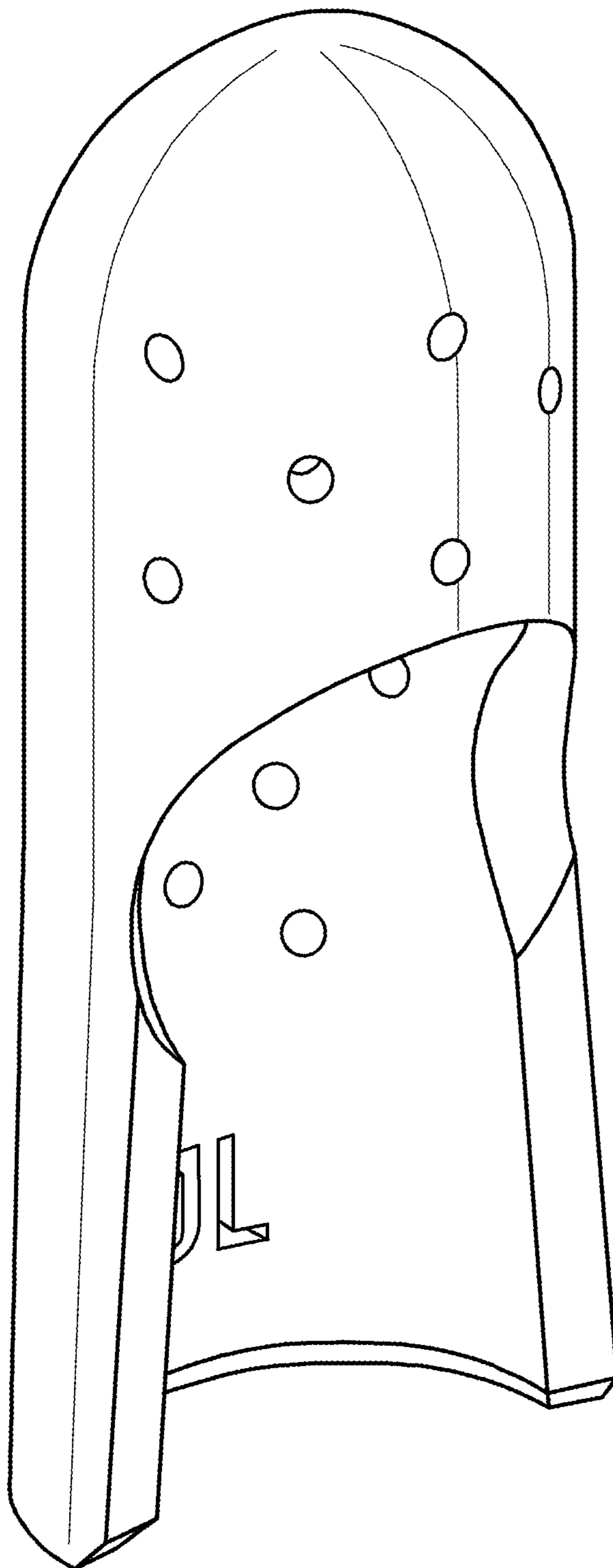


**FIG. 6**

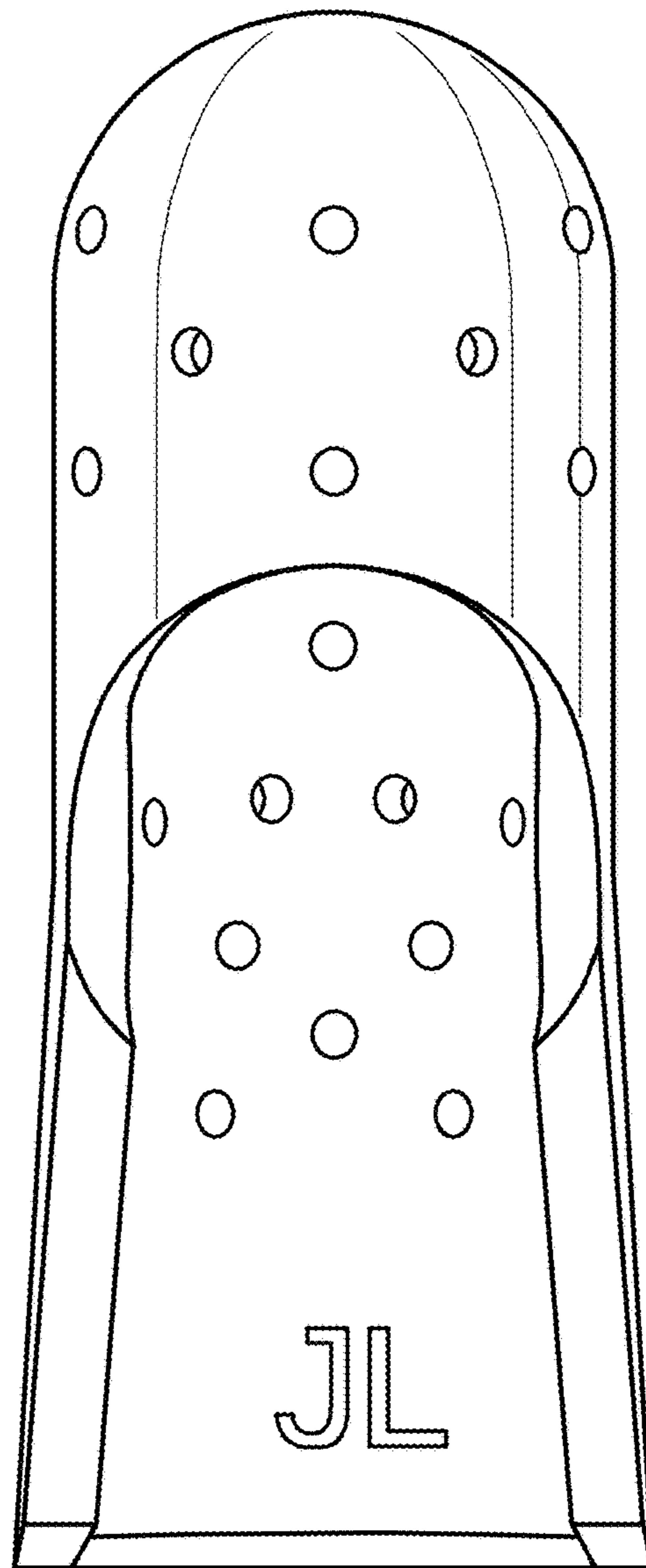
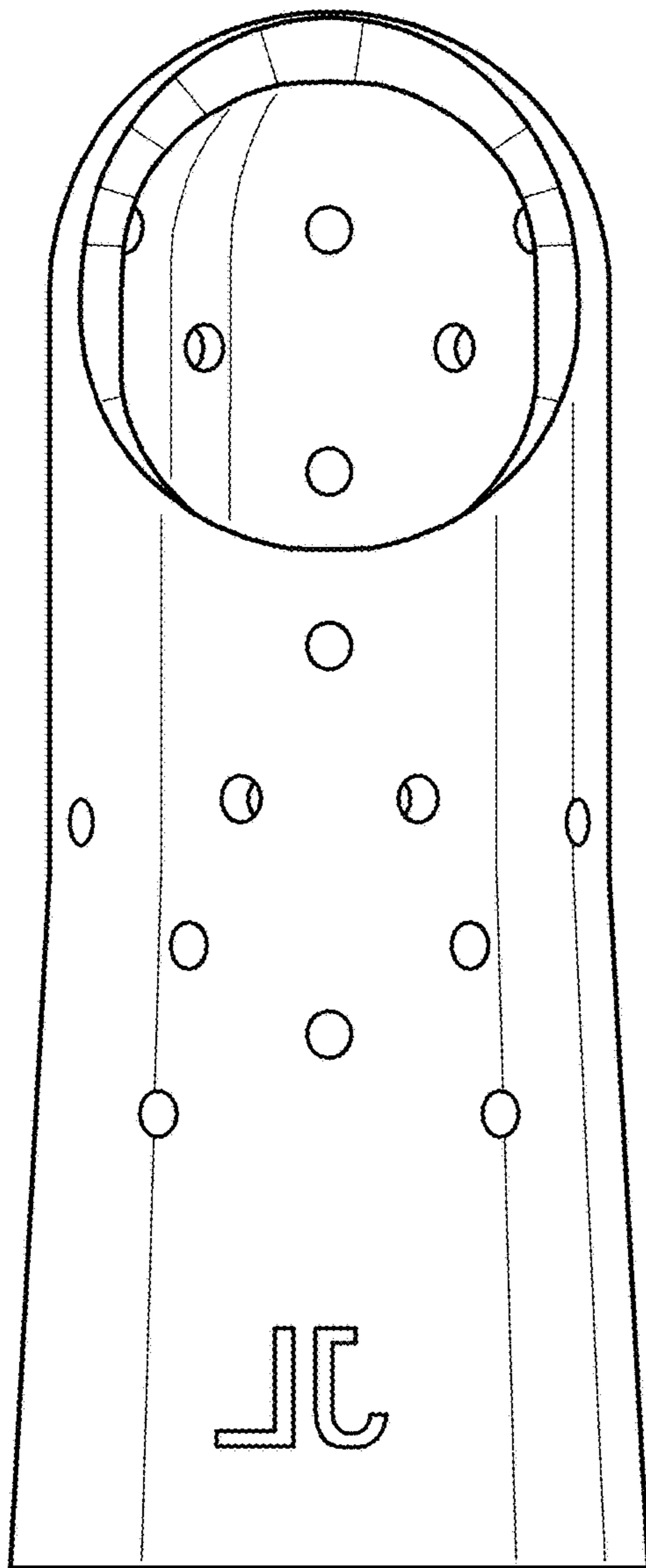


**FIG. 7**

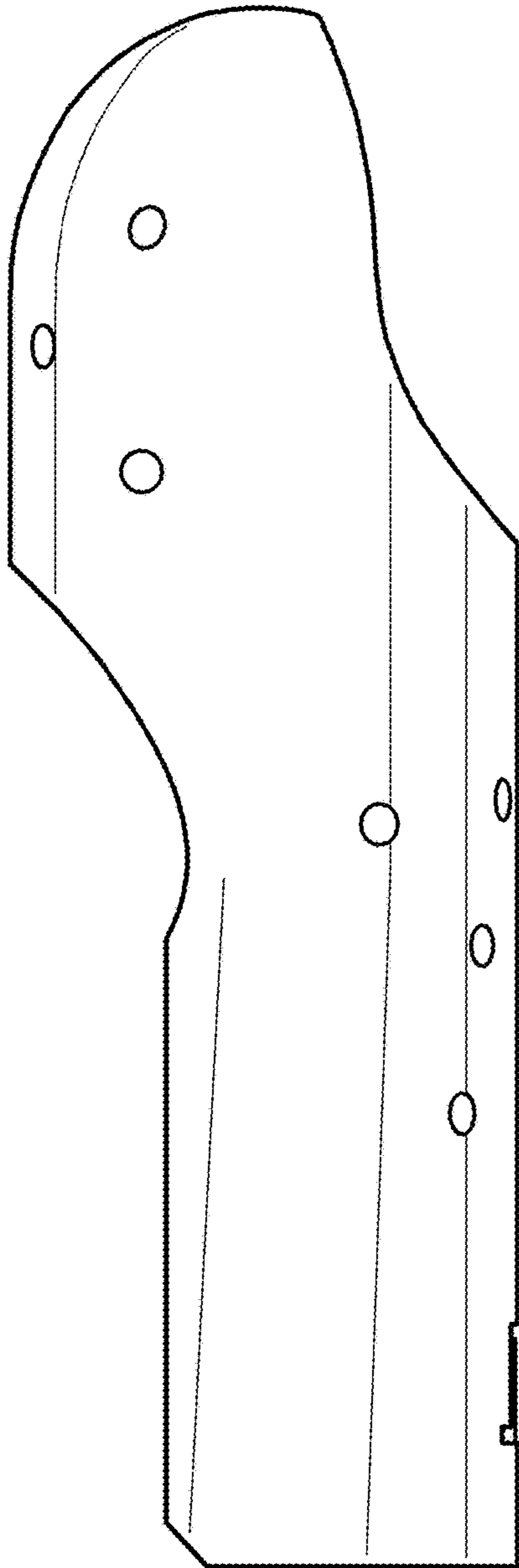




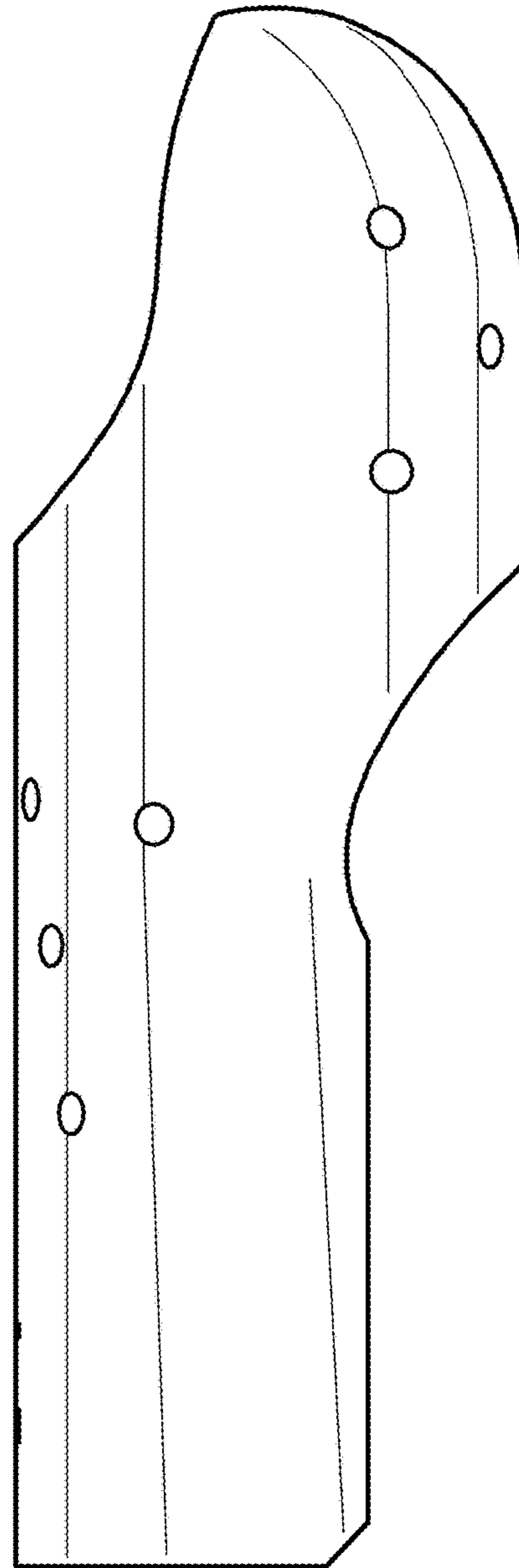
**FIG. 8**



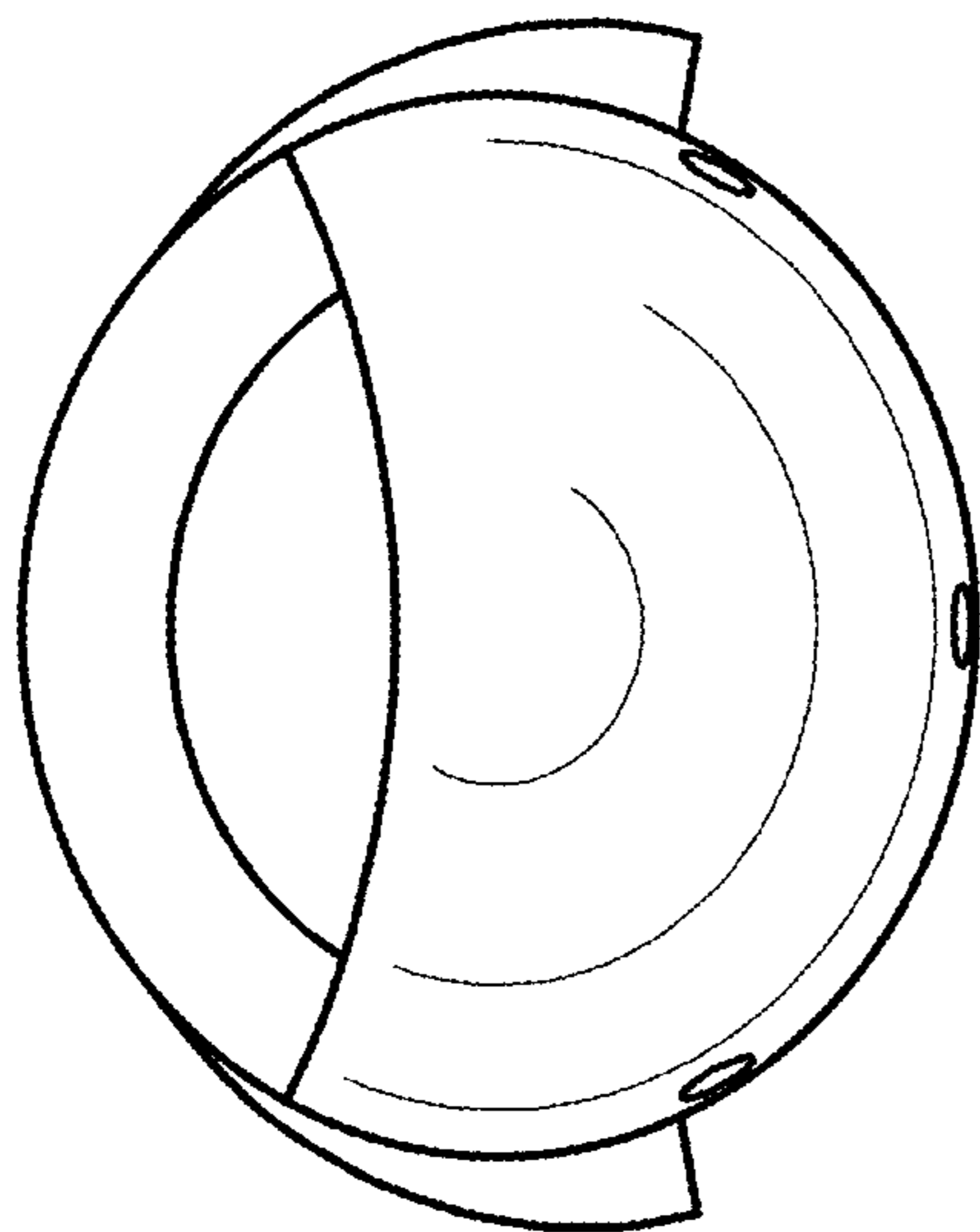




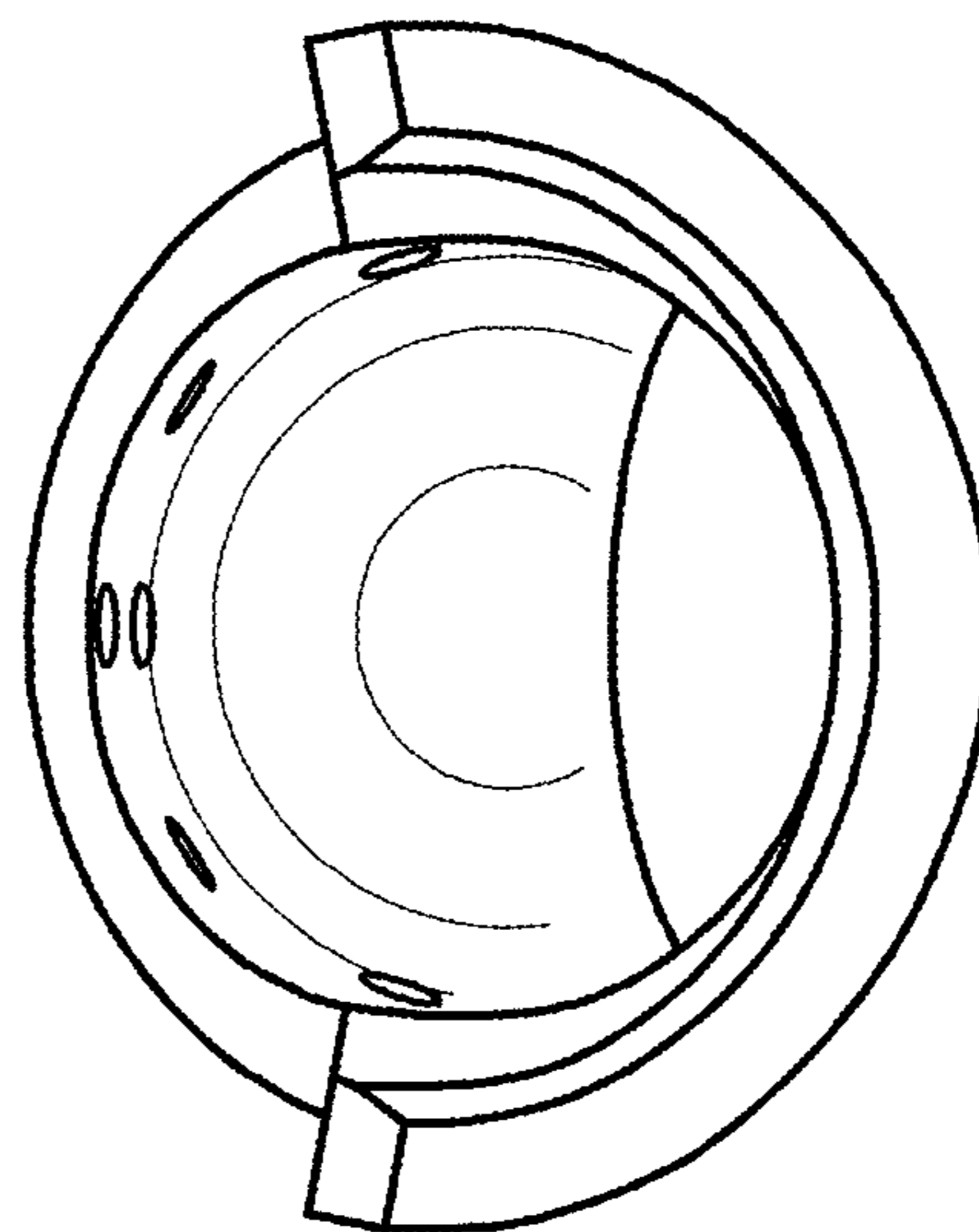
**FIG. 11**



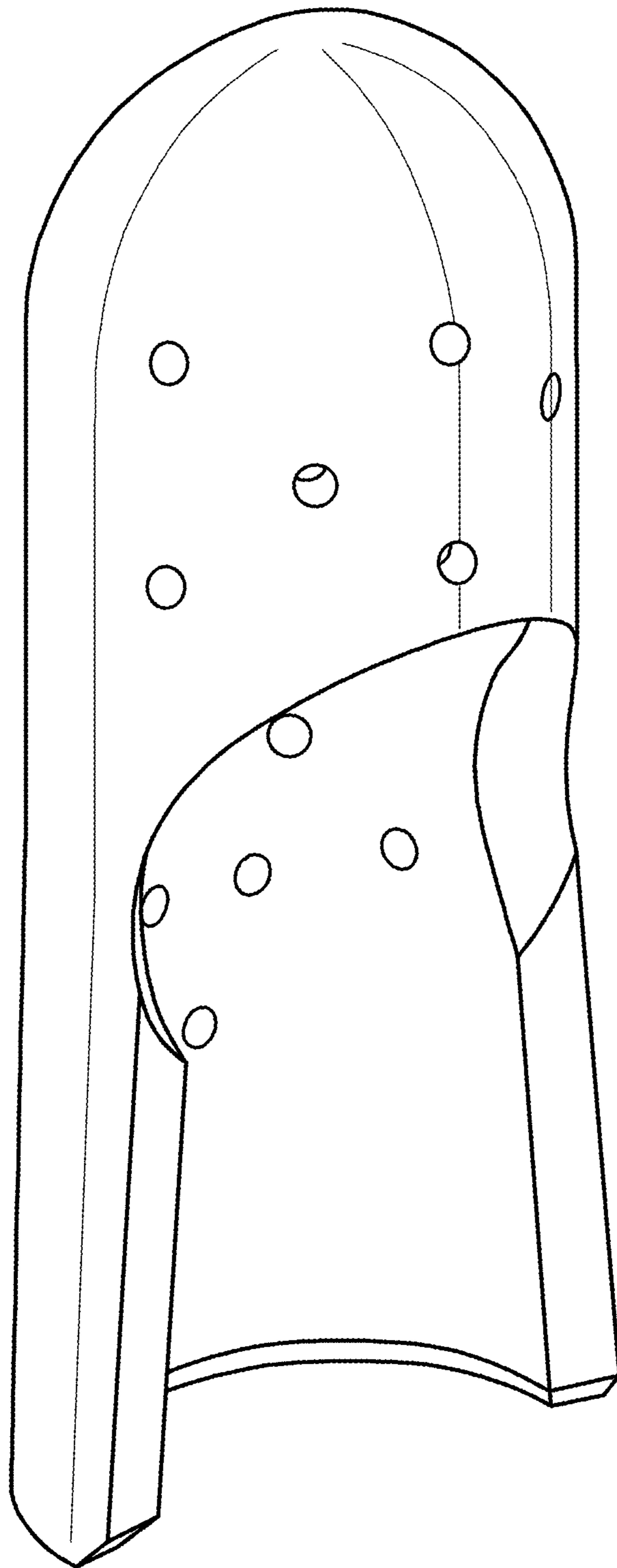
**FIG. 12**



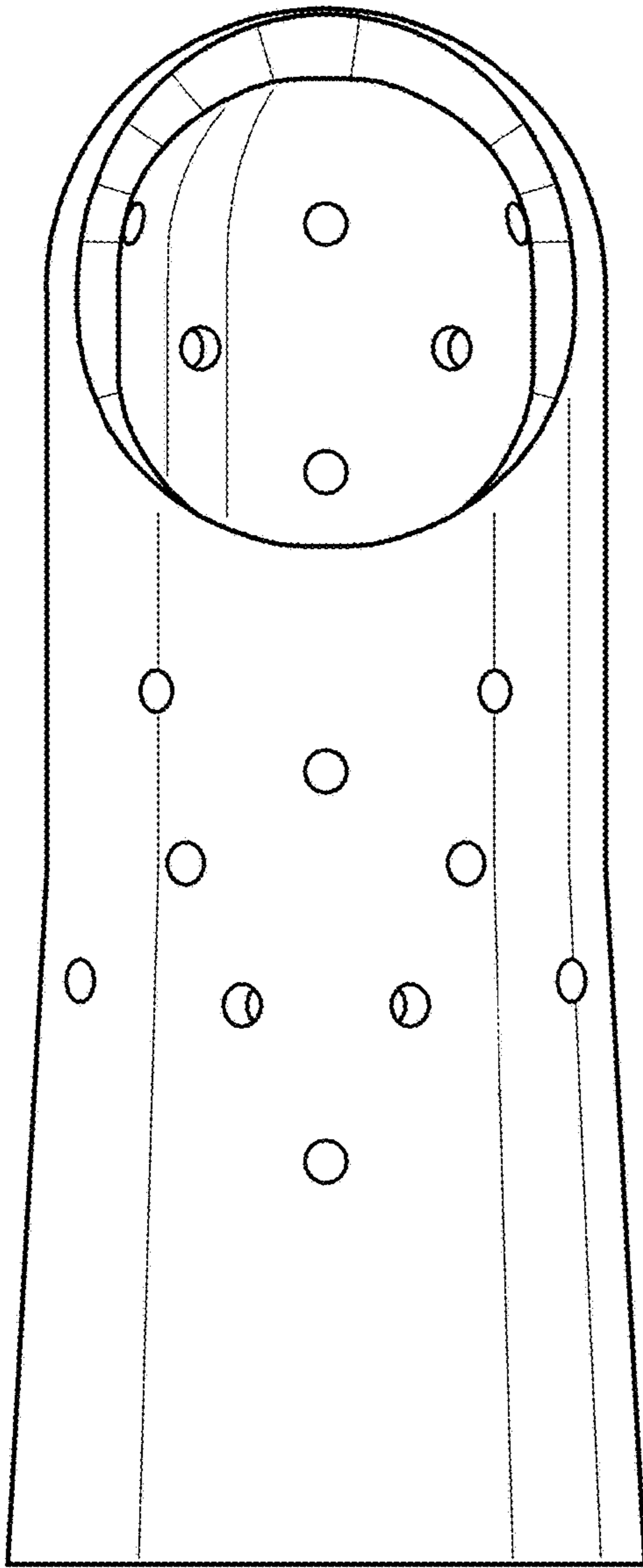
**FIG. 13**



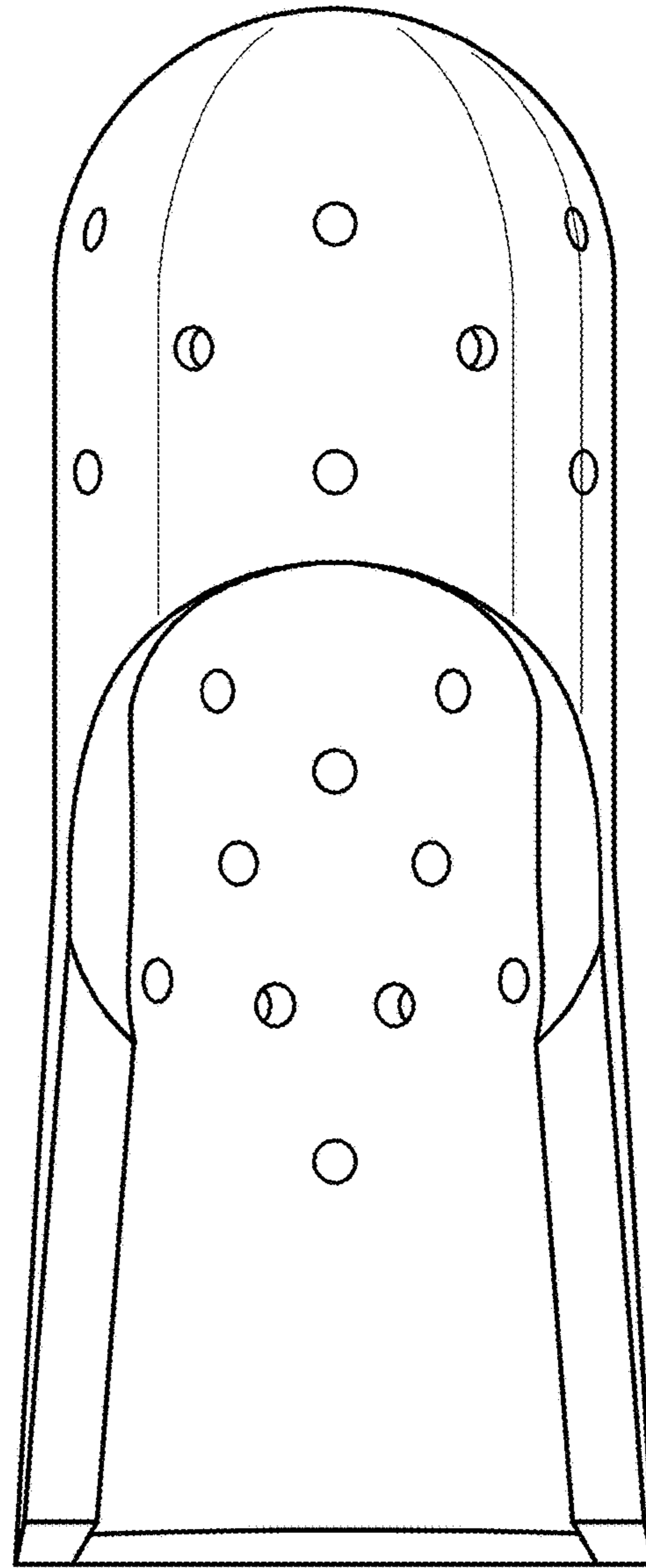
**FIG. 14**



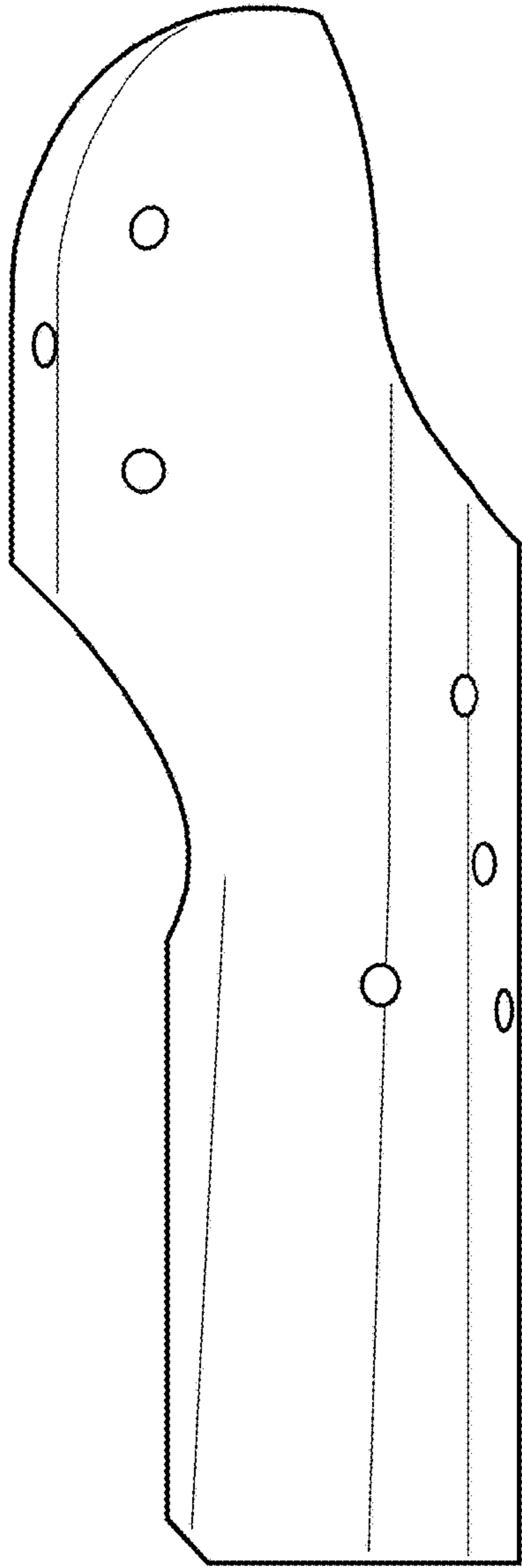
**FIG. 15**



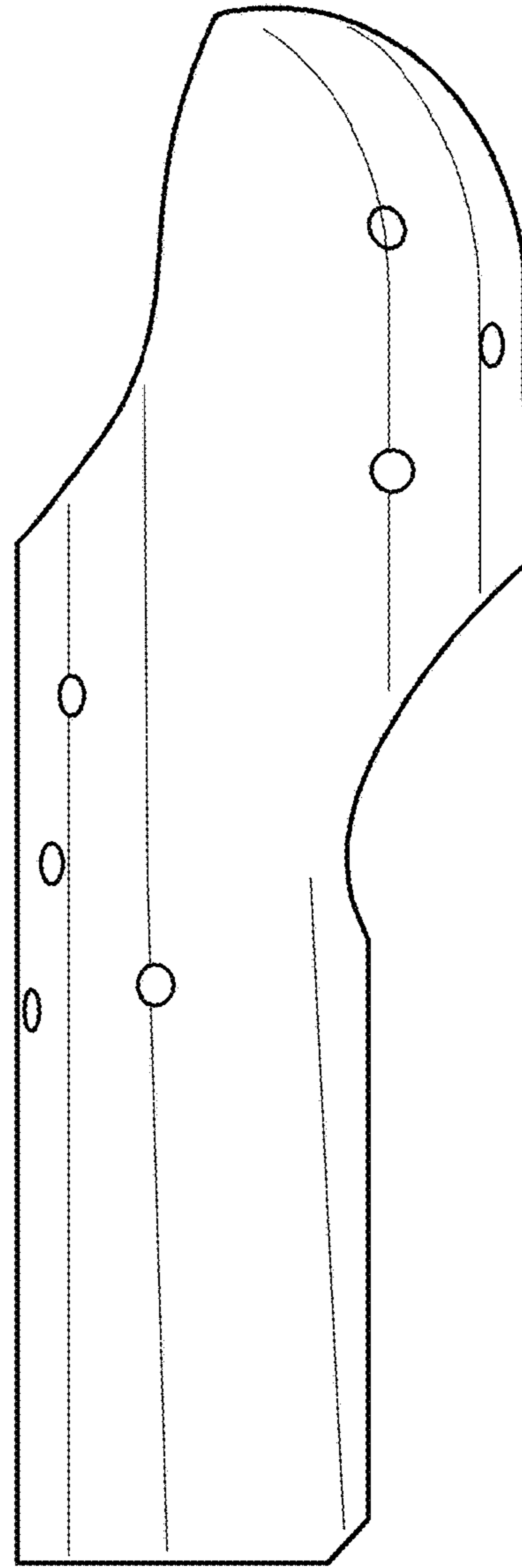
**FIG. 16**



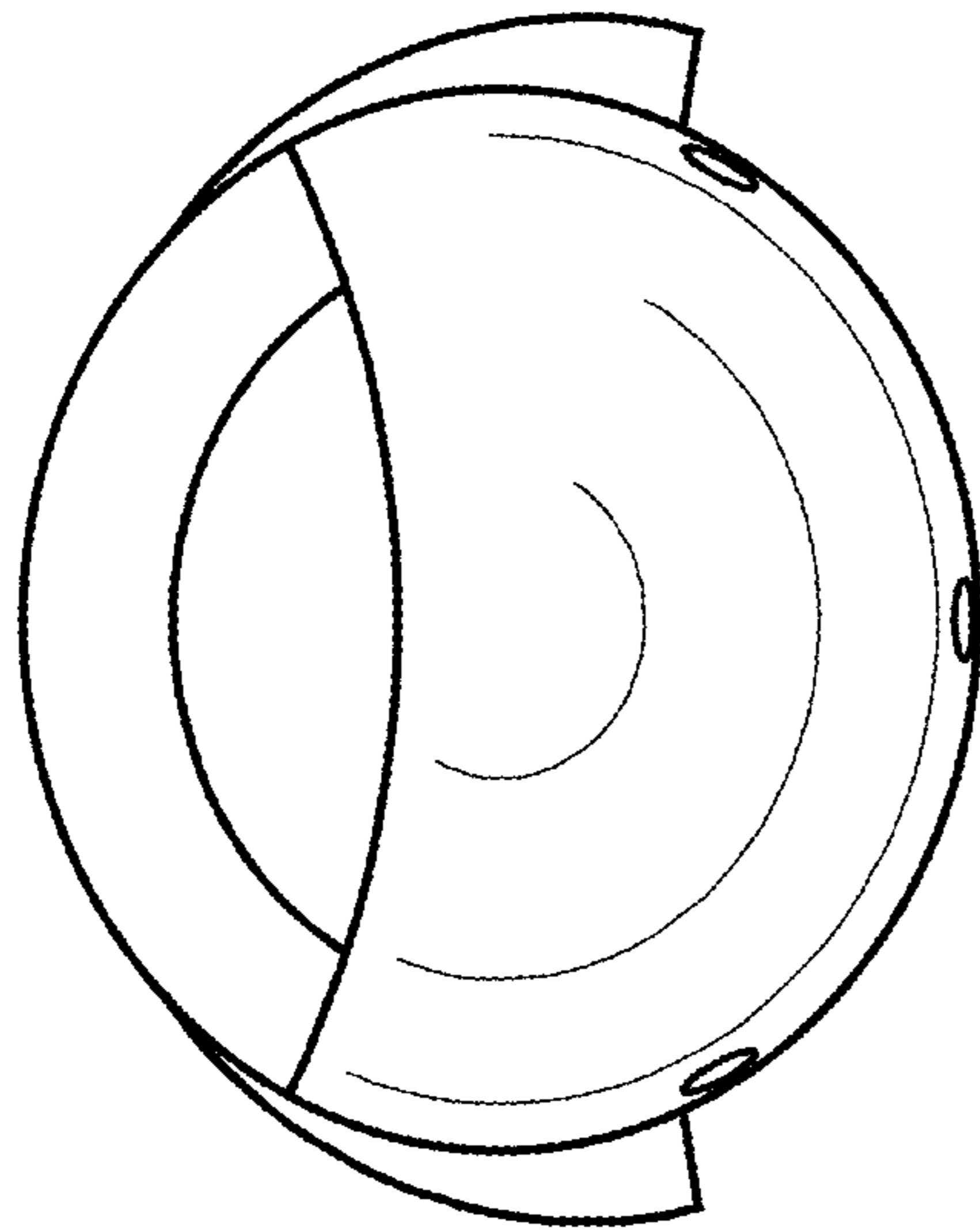
**FIG. 17**



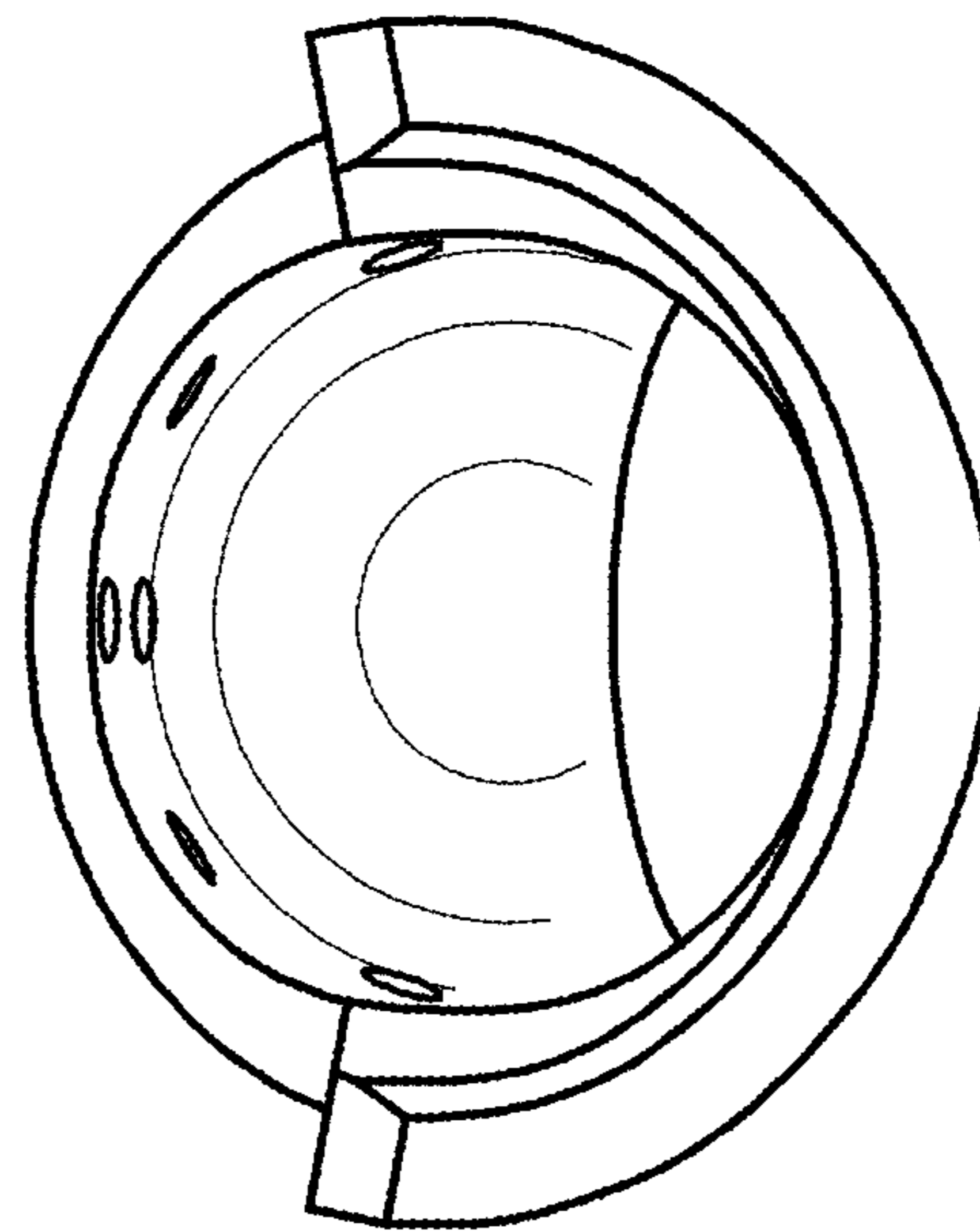
**FIG. 18**



**FIG. 19**



**FIG. 20**



**FIG. 21**