



US00D825061S

(12) **United States Design Patent**  
**Parsons et al.**

(10) **Patent No.:** **US D825,061 S**  
(45) **Date of Patent:** **\*\* Aug. 7, 2018**

(54) **DIAGNOSTIC TEST DEVICE**

2223/506; G01N 2223/507; G01N  
2223/508; G01N 2223/509

(71) Applicant: **Ellume Pty Ltd**, East Brisbane (AU)

See application file for complete search history.

(72) Inventors: **Sean Andrew Parsons**, East Brisbane (AU); **Andrea Ranzoni**, East Brisbane (AU); **Scott Robert Fry**, East Brisbane (AU); **Geoff Bywater**, Bardon (AU)

(56) **References Cited**

U.S. PATENT DOCUMENTS

9,488,575 B2 \* 11/2016 Kim ..... G01K 13/02  
D790,708 S \* 6/2017 Personelli ..... D24/158  
9,807,543 B2 \* 10/2017 Zin ..... H04W 4/008

(73) Assignee: **Ellume Pty Ltd**, East Brisbane (AU)

\* cited by examiner

(\*\*) Term: **15 Years**

(21) Appl. No.: **29/601,417**

*Primary Examiner* — Antoine Duval Davis

(22) Filed: **Apr. 21, 2017**

(74) *Attorney, Agent, or Firm* — The Webb Law Firm

(30) **Foreign Application Priority Data**

Oct. 21, 2016 (AU) ..... 201615945

(51) **LOC (11) Cl.** ..... **24-01**

(52) **U.S. Cl.**  
USPC ..... **D24/186**; D24/216; D10/81

(58) **Field of Classification Search**  
USPC ..... D10/81; D24/185, 186, 216, 232, 233,  
D24/234

CPC ..... G01N 33/48785; G01N 33/48; G01N  
33/483; G01N 2201/31; G01N 2201/022;  
G01N 2201/0221; G01N 2201/0222;  
G01N 2201/0223; G01N 2201/0224;  
G01N 2201/0225; G01N 2201/0226;  
G01N 2201/0227; G01N 2201/0228;  
G01N 2223/50; G01N 2223/501; G01N  
2223/5015; G01N 2223/502; G01N  
2223/503; G01N 2223/504; G01N  
2223/505; G01N 2223/5055; G01N

(57) **CLAIM**

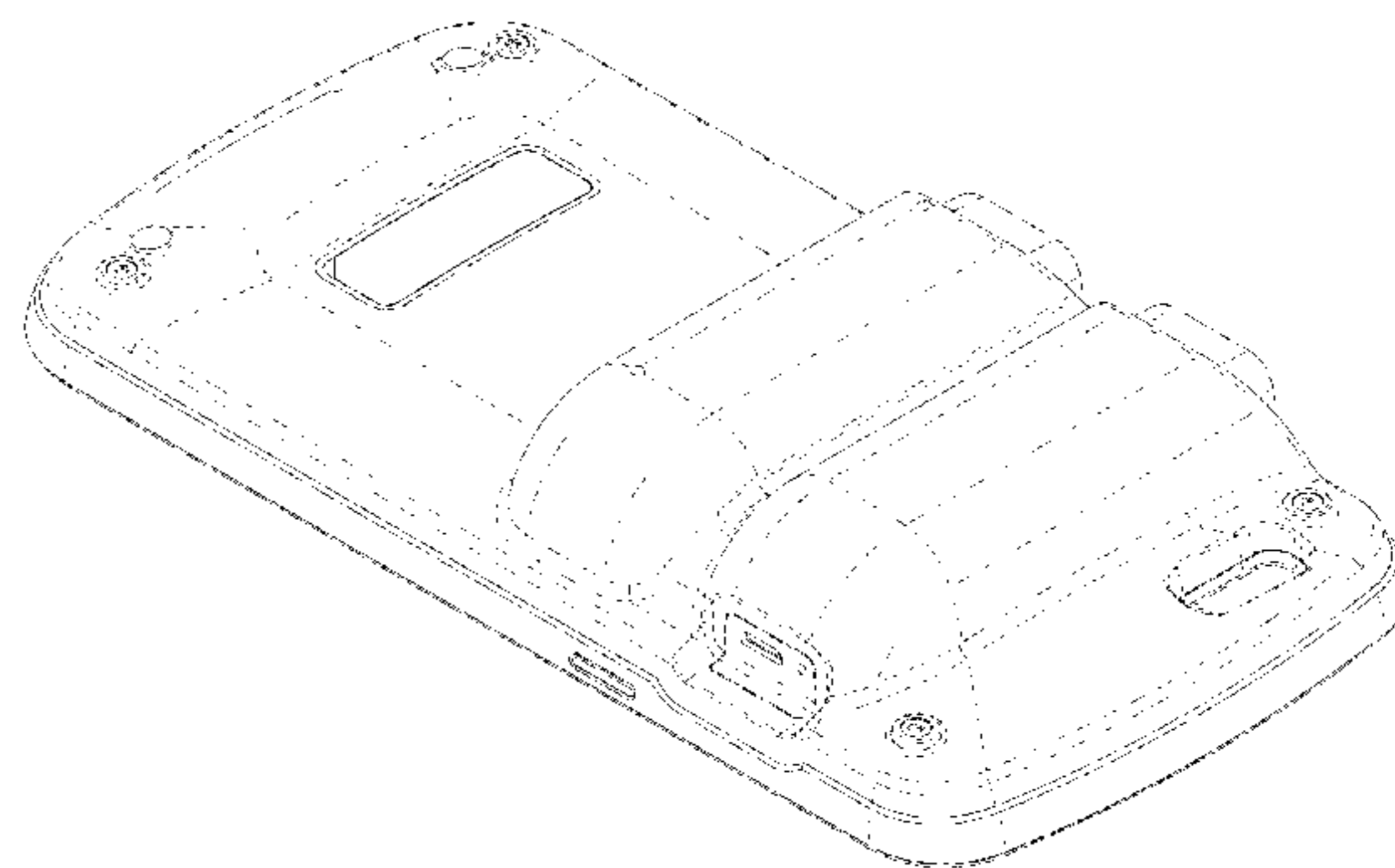
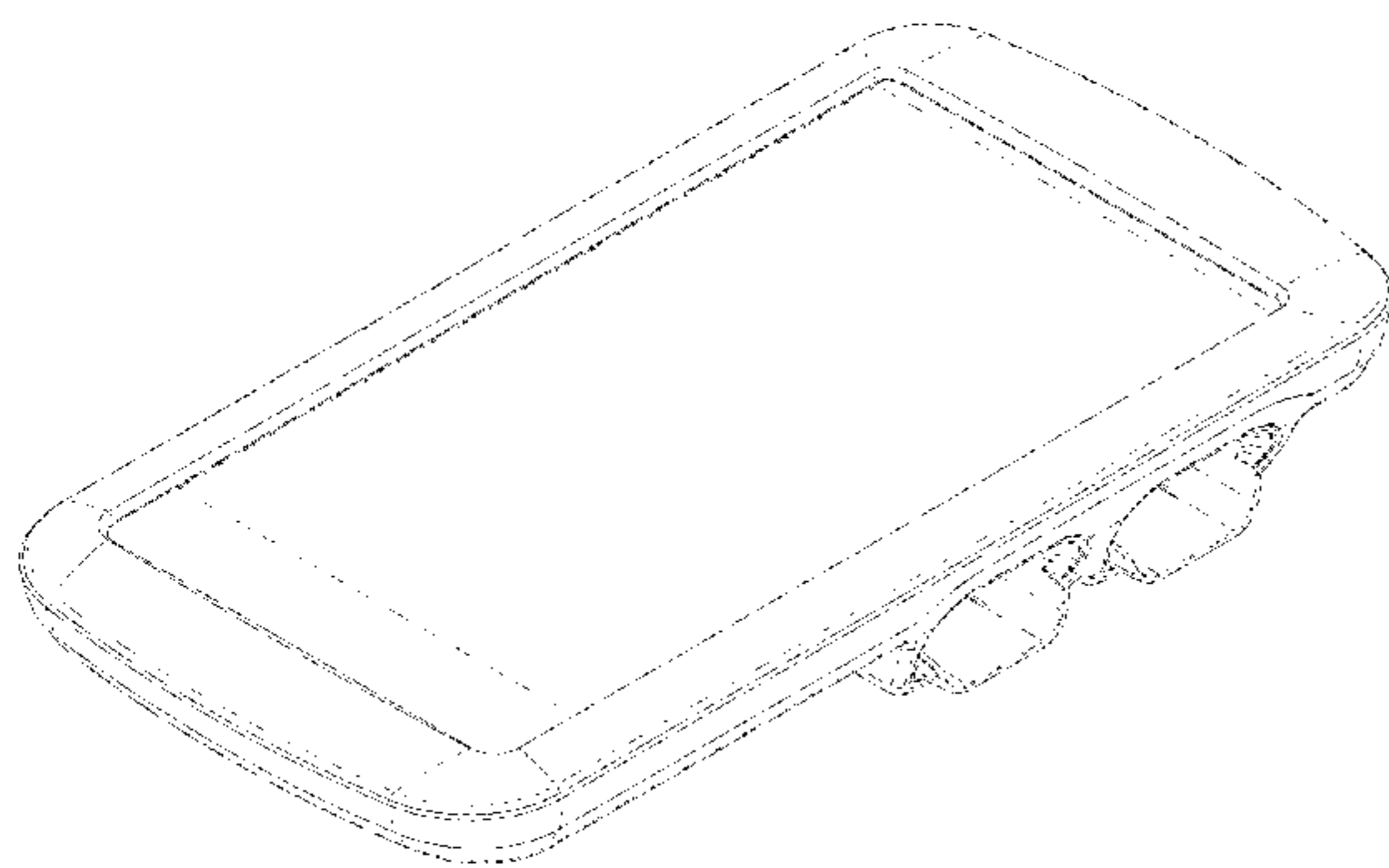
The ornamental design for a diagnostic test device, as shown and described.

**DESCRIPTION**

FIG. 1 is a front elevation view of a diagnostic test device in accordance with the present design;  
FIG. 2 is a right side elevation view thereof;  
FIG. 3 is a rear elevation view thereof;  
FIG. 4 is a left side elevation view thereof;  
FIG. 5 is a top plan view thereof;  
FIG. 6 is a bottom plan view thereof;  
FIG. 7 is a front perspective view thereof; and,  
FIG. 8 is a rear perspective view thereof.

The broken line showing of structural features is included for the purpose of illustrating non-claimed subject matter and forms no part of the claimed design.

**1 Claim, 7 Drawing Sheets**



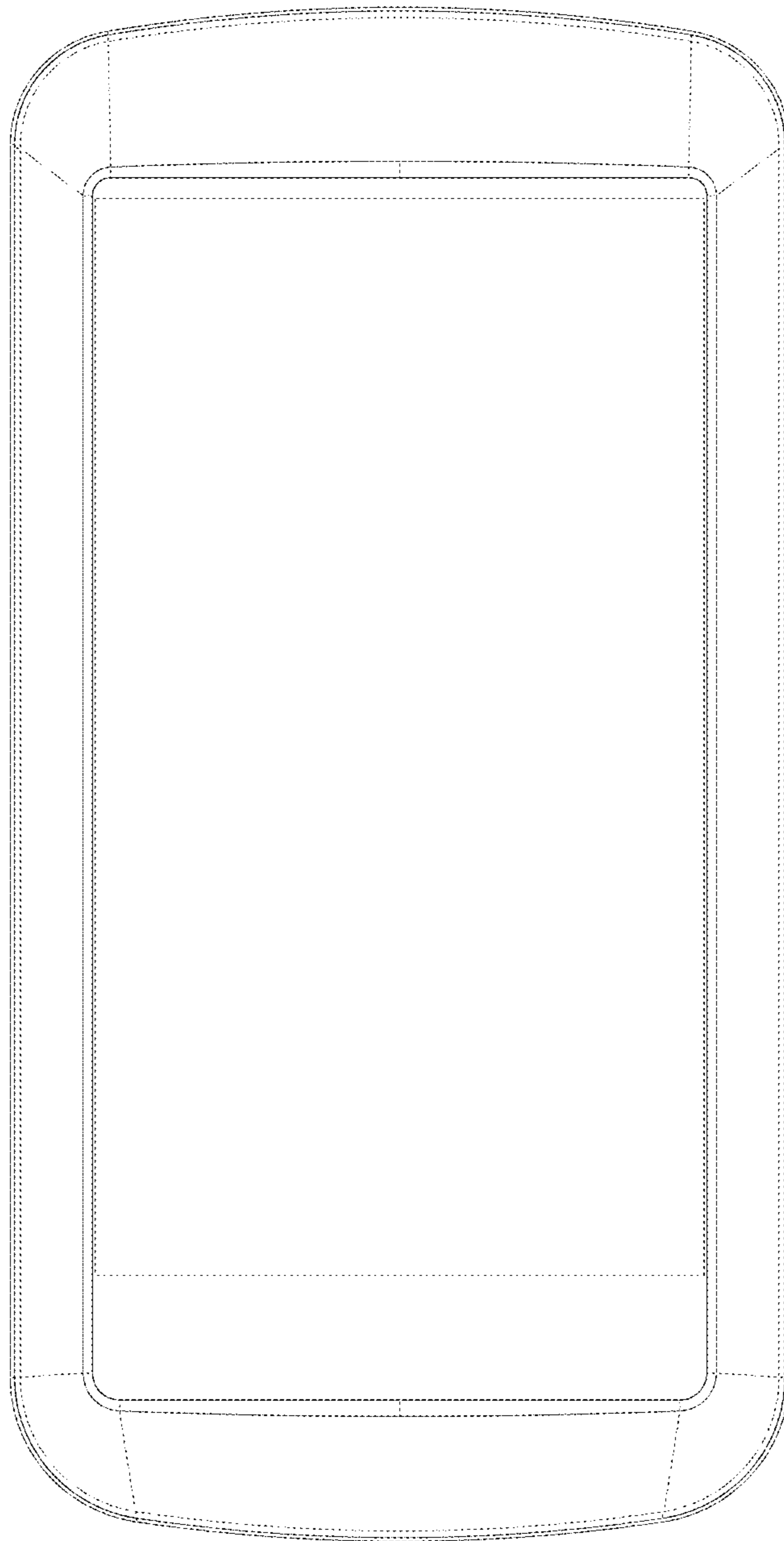


FIG. 1

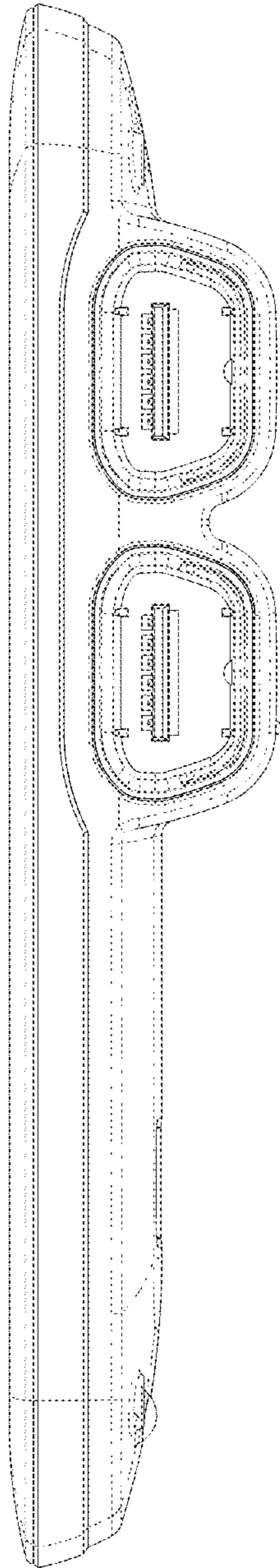


FIG. 2

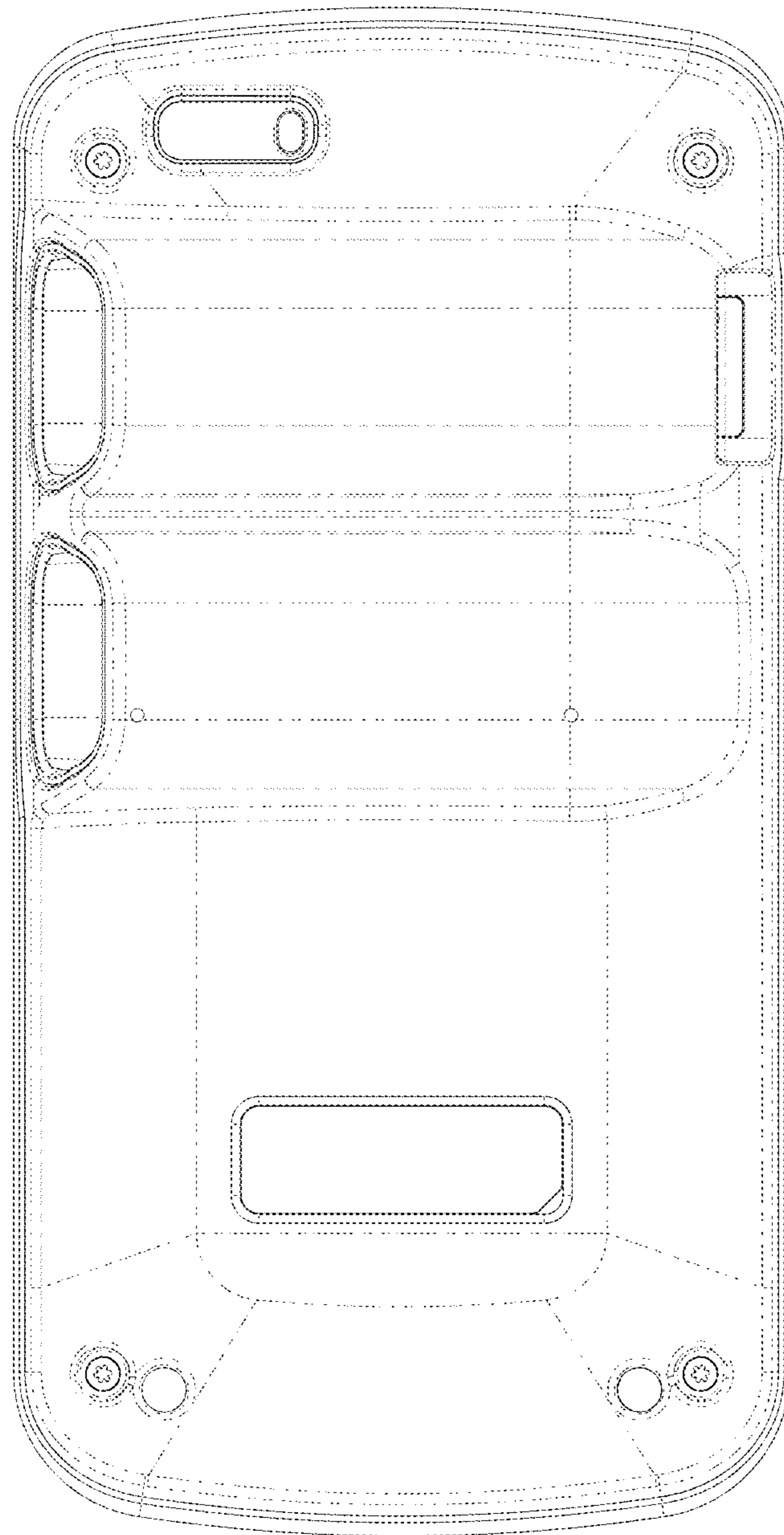


FIG. 3

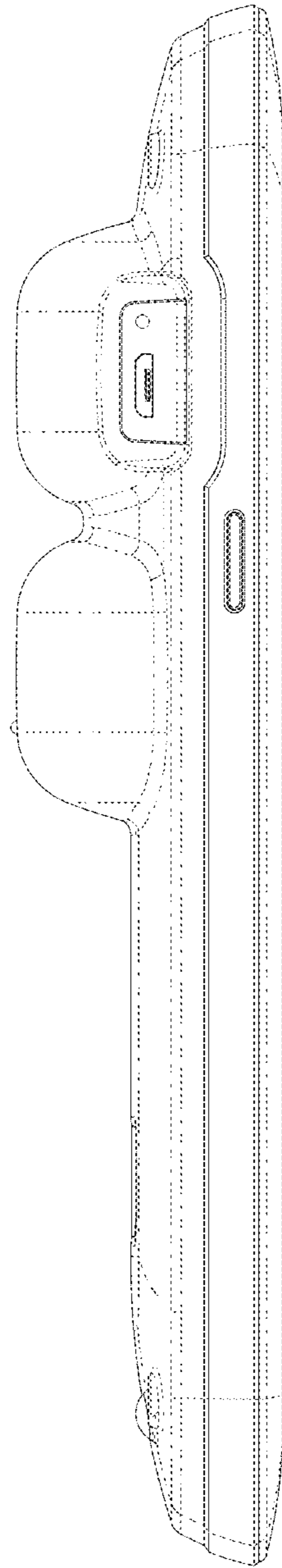


FIG. 4

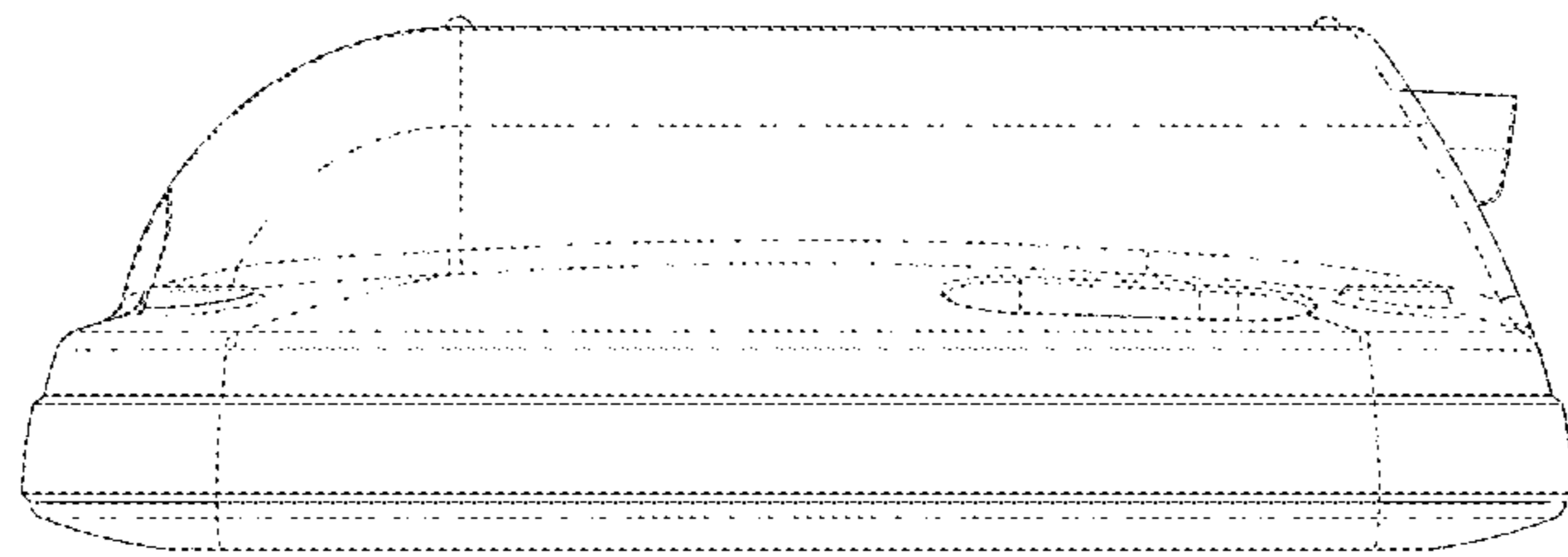


FIG. 5

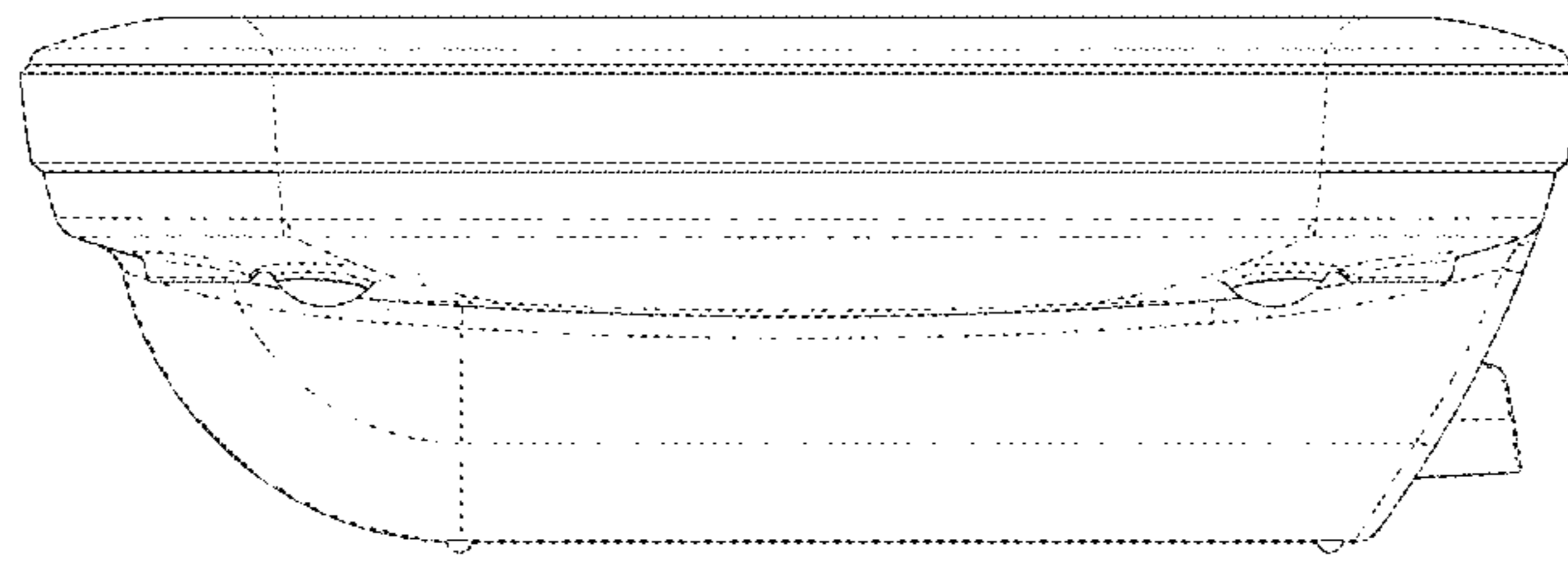


FIG. 6



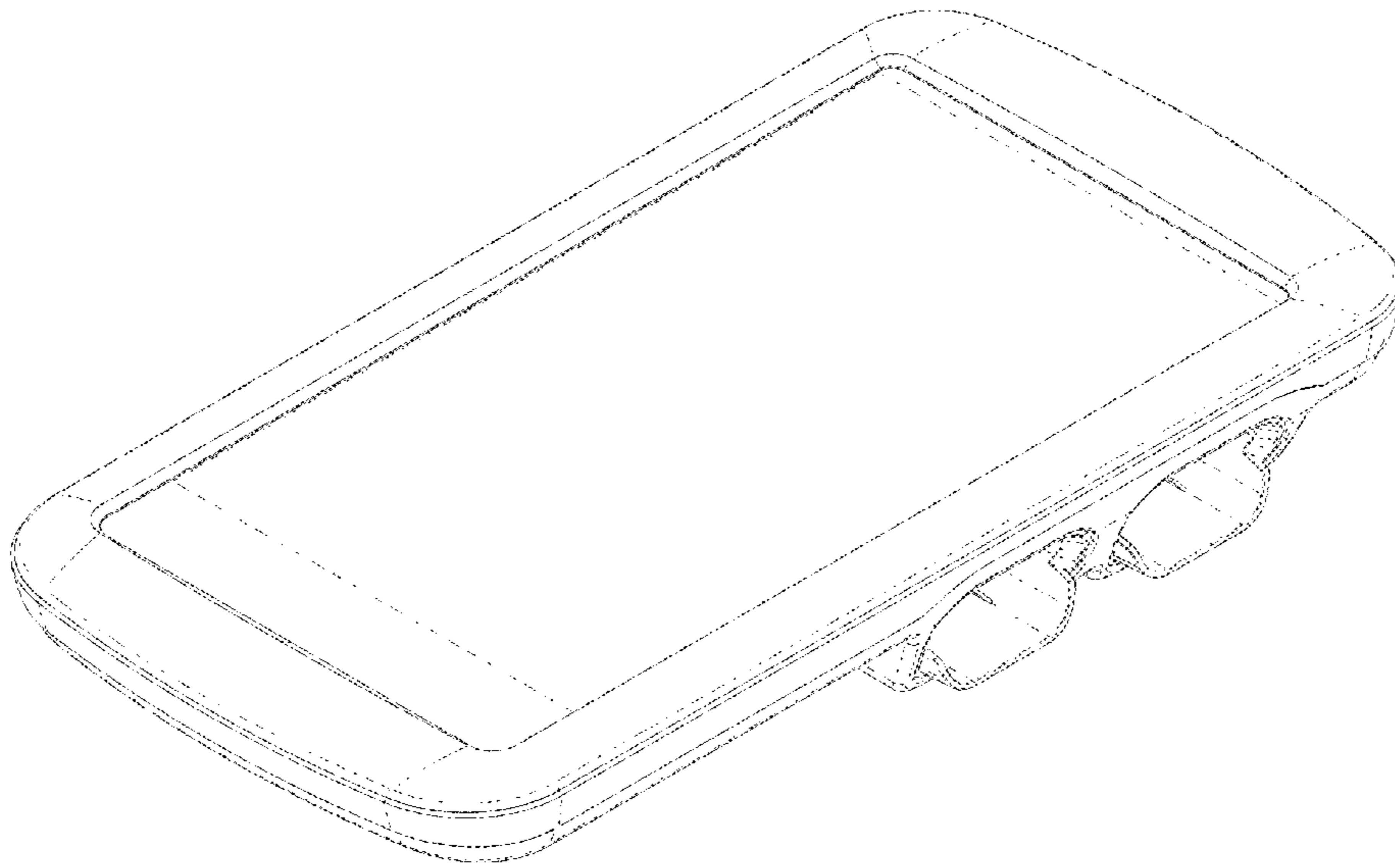


FIG. 7

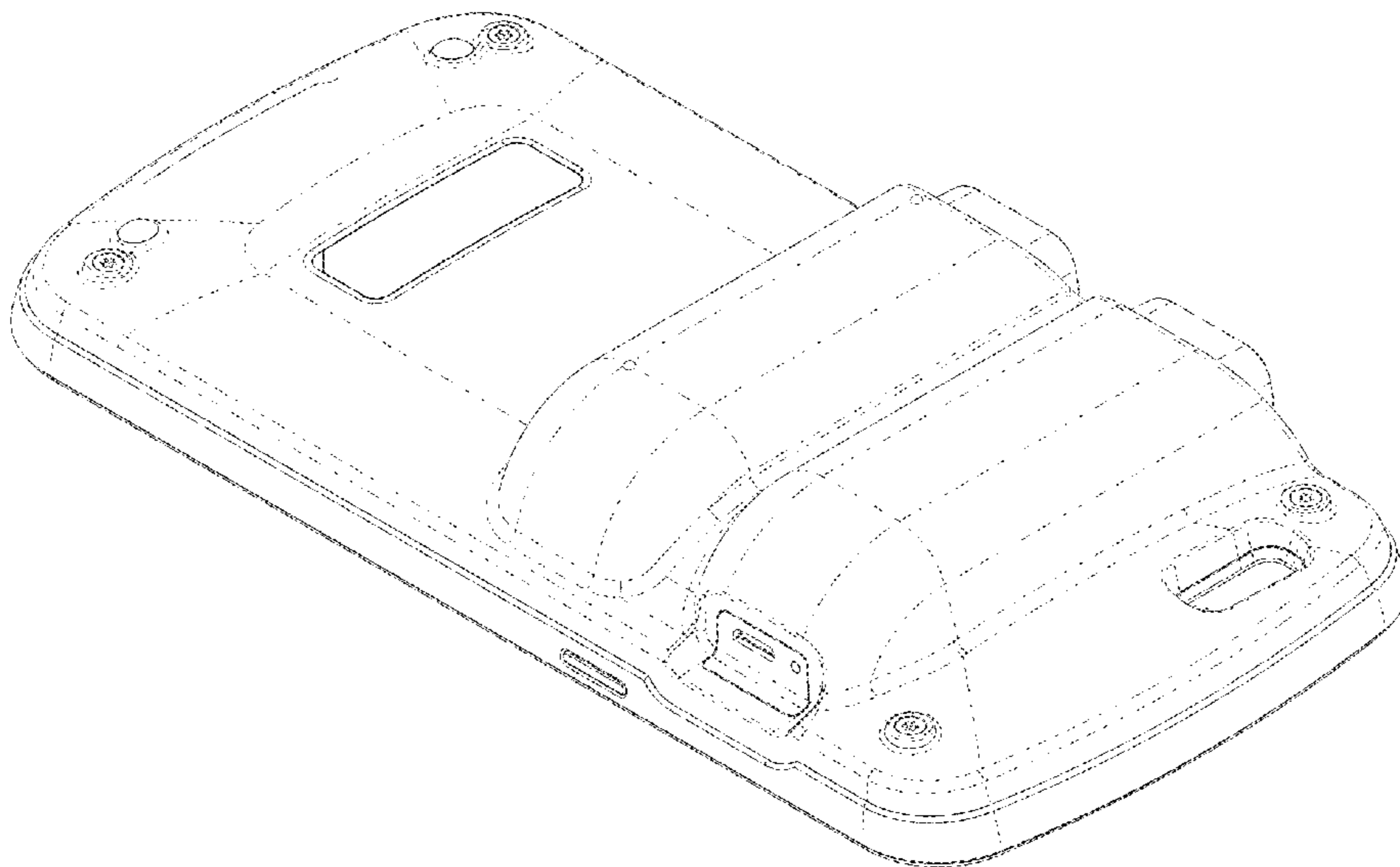


FIG. 8