



US00D825059S

(12) **United States Design Patent** (10) **Patent No.:** **US D825,059 S**
Burger (45) **Date of Patent:** **** Aug. 7, 2018**

(54) **DENTAL ABUTMENT**
(71) Applicant: **IVOCLAR VIVADENT AG**, Schaan (LI)
(72) Inventor: **Goran Burger**, Grabs (CH)
(73) Assignee: **Ivoclar Vivadent AG**, Schaan (LI)
(**) Term: **15 Years**
(21) Appl. No.: **35/501,206**
(22) Filed: **Jan. 13, 2016**

D477,877 S * 7/2003 Whitehead D24/156
D477,878 S * 7/2003 Whitehead D24/156
D477,879 S * 7/2003 Whitehead D24/156
D482,450 S * 11/2003 Whitehead D24/156
D562,453 S * 2/2008 Rassoli D24/156
D611,603 S * 3/2010 Noguchi D24/156
D611,604 S * 3/2010 Aoyagi D24/156
D663,032 S * 7/2012 Mashio D24/156
D663,419 S * 7/2012 Mashio D24/156
D732,668 S * 6/2015 Fisler D24/156
D732,669 S * 6/2015 Fisler D24/156
D733,885 S * 7/2015 Andersin D24/156
D734,464 S * 7/2015 Andersin D24/156
D740,425 S * 10/2015 Saltell D24/156
D743,033 S * 11/2015 Fisler D24/156

* cited by examiner

(80) **Hague Agreement Data**

Int. Filing Date: **Jan. 13, 2016**
Int. Reg. No.: **DM/090021**
Int. Reg. Date: **Jan. 13, 2016**
Int. Reg. Pub. Date: **Jul. 15, 2016**

Primary Examiner — Richard E Chilcot
(74) *Attorney, Agent, or Firm* — Ann M. Knab; Thad McMurray

(51) **LOC (11) Cl.** **24-02**

(57) **CLAIM**

(52) **U.S. Cl.**
USPC **D24/156**
CPC **A61C 8/006** (2013.01)

The ornamental design for a dental abutment, as shown and described.

(58) **Field of Classification Search**
USPC D24/155–157
CPC ... A61C 8/0089; A61C 8/0069; A61C 8/0054;
A61C 8/00; A61C 8/0096; A61C 8/0039;
A61C 8/0063; A61C 8/006; A61C
8/0001; A61C 8/0012; A61C 8/0075;
A61C 13/225
See application file for complete search history.

DESCRIPTION

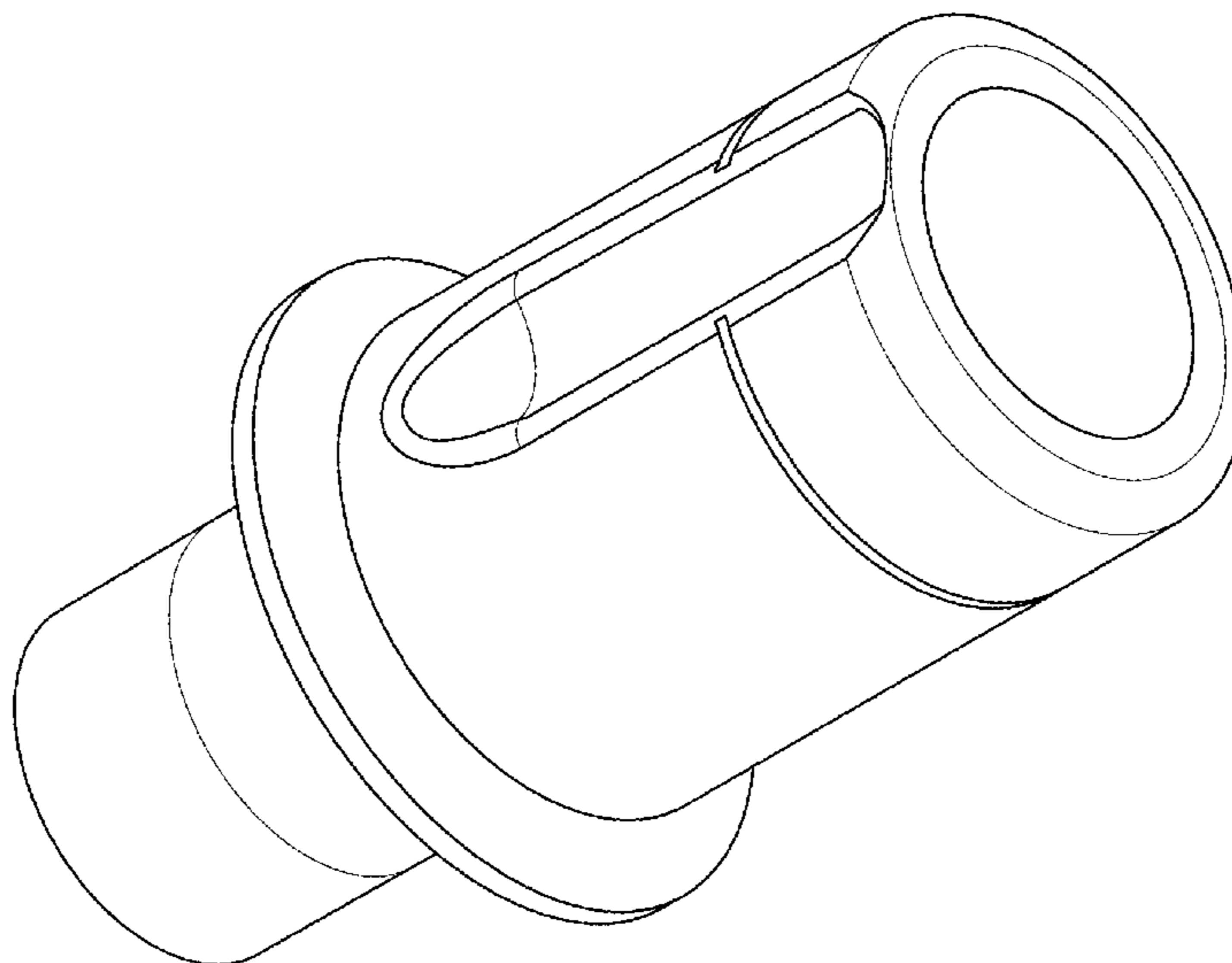
3.1 is a left side view of a dental abutment showing my new design.
3.2 is a rear view thereof.
3.3 is a right side view thereof.
3.4 is a perspective view thereof.
3.5 is a top view thereof.
3.6 is a front thereof.
3.7 is a bottom view thereof.

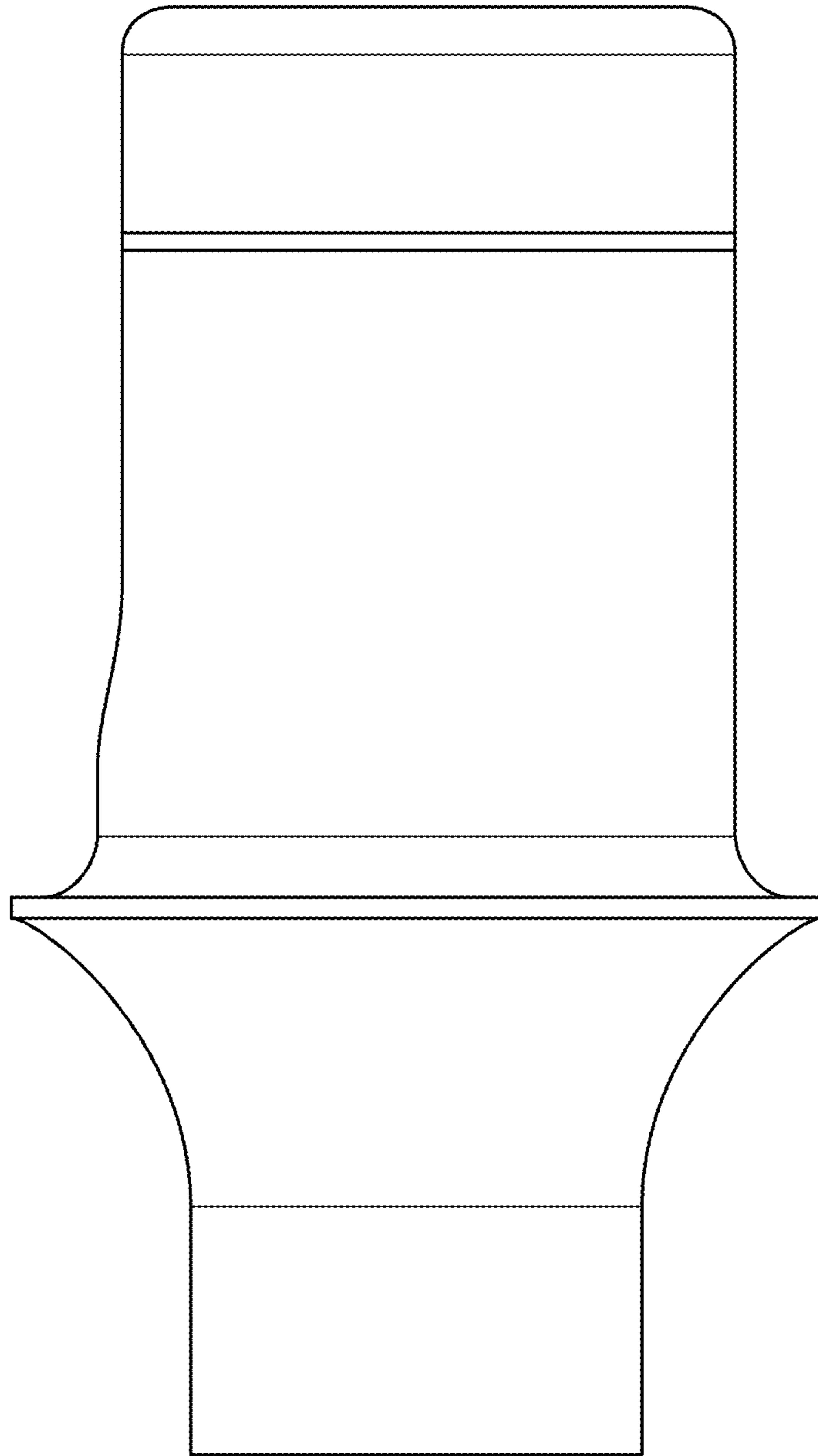
(56) **References Cited**

U.S. PATENT DOCUMENTS

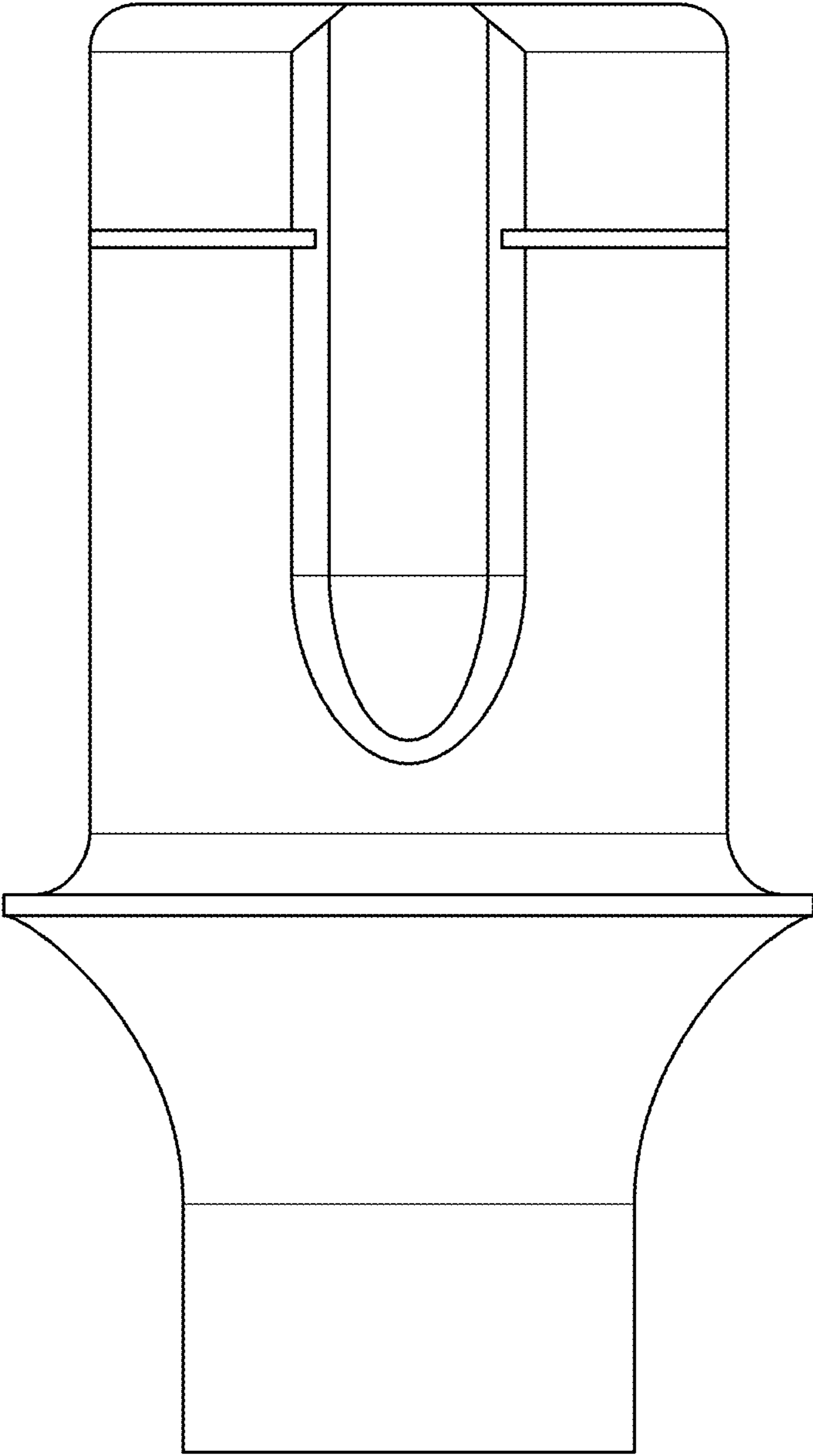
D477,667 S * 7/2003 Whitehead D24/156
D477,876 S * 7/2003 Whitehead D24/156

1 Claim, 7 Drawing Sheets

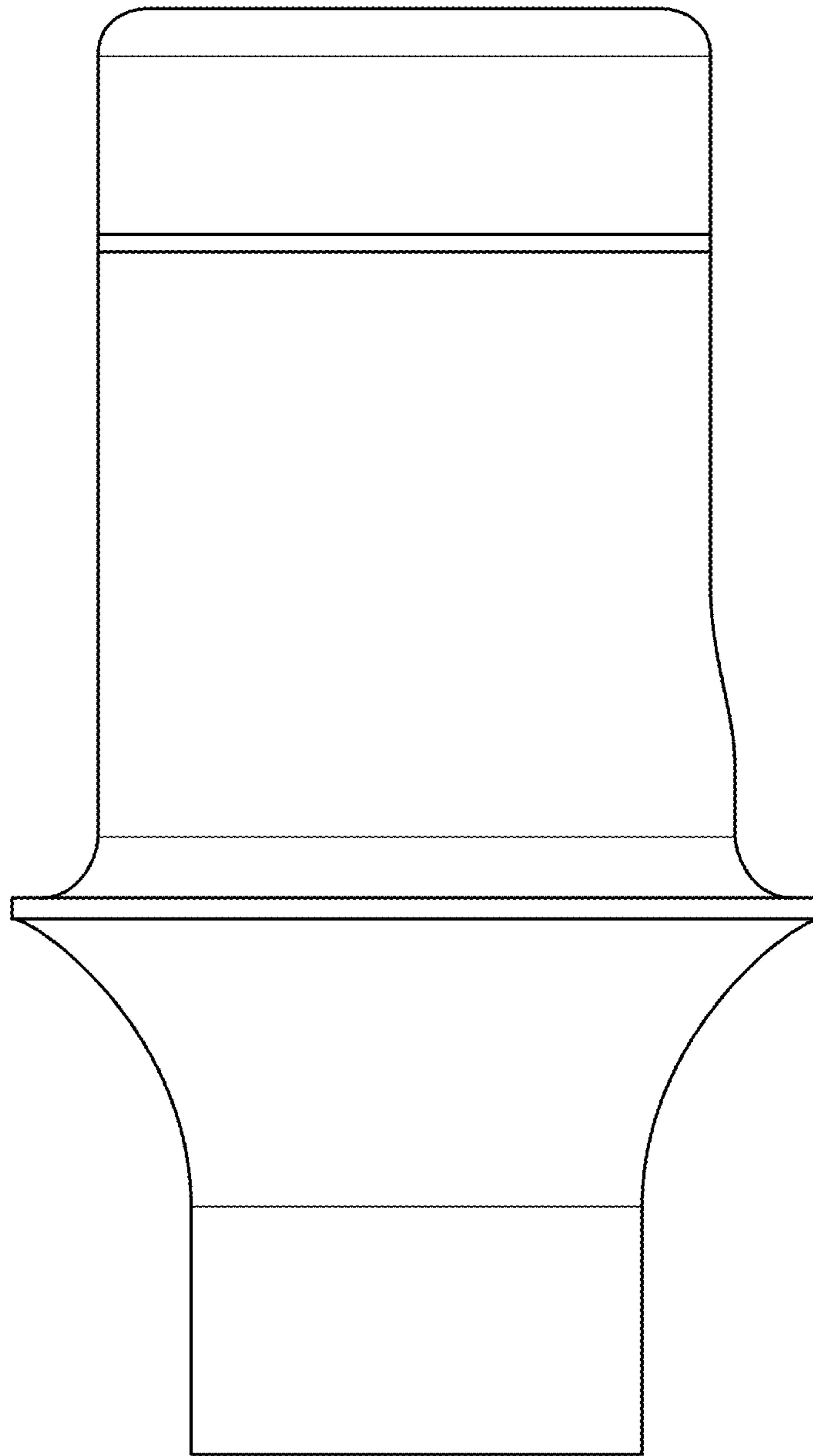




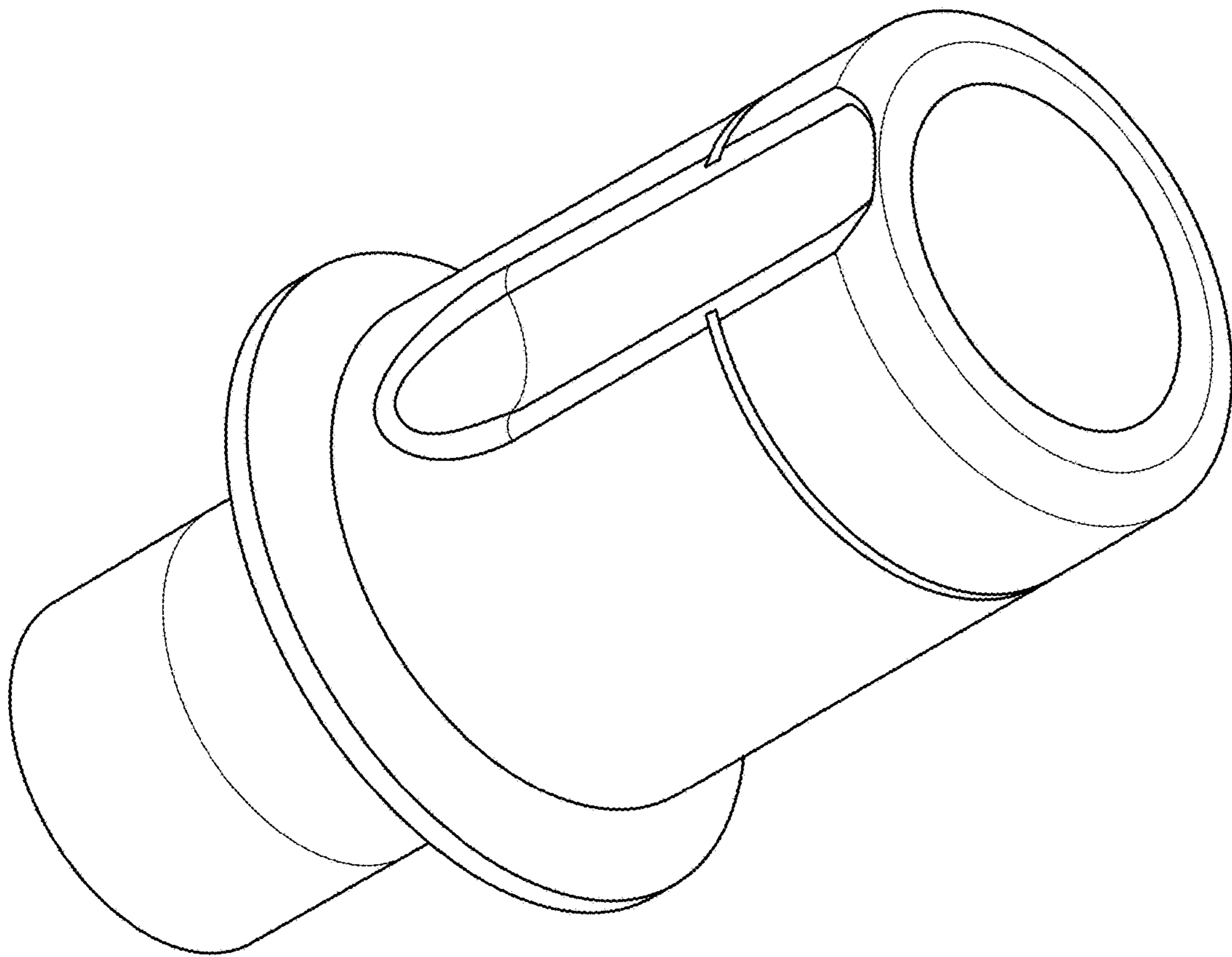
3.1



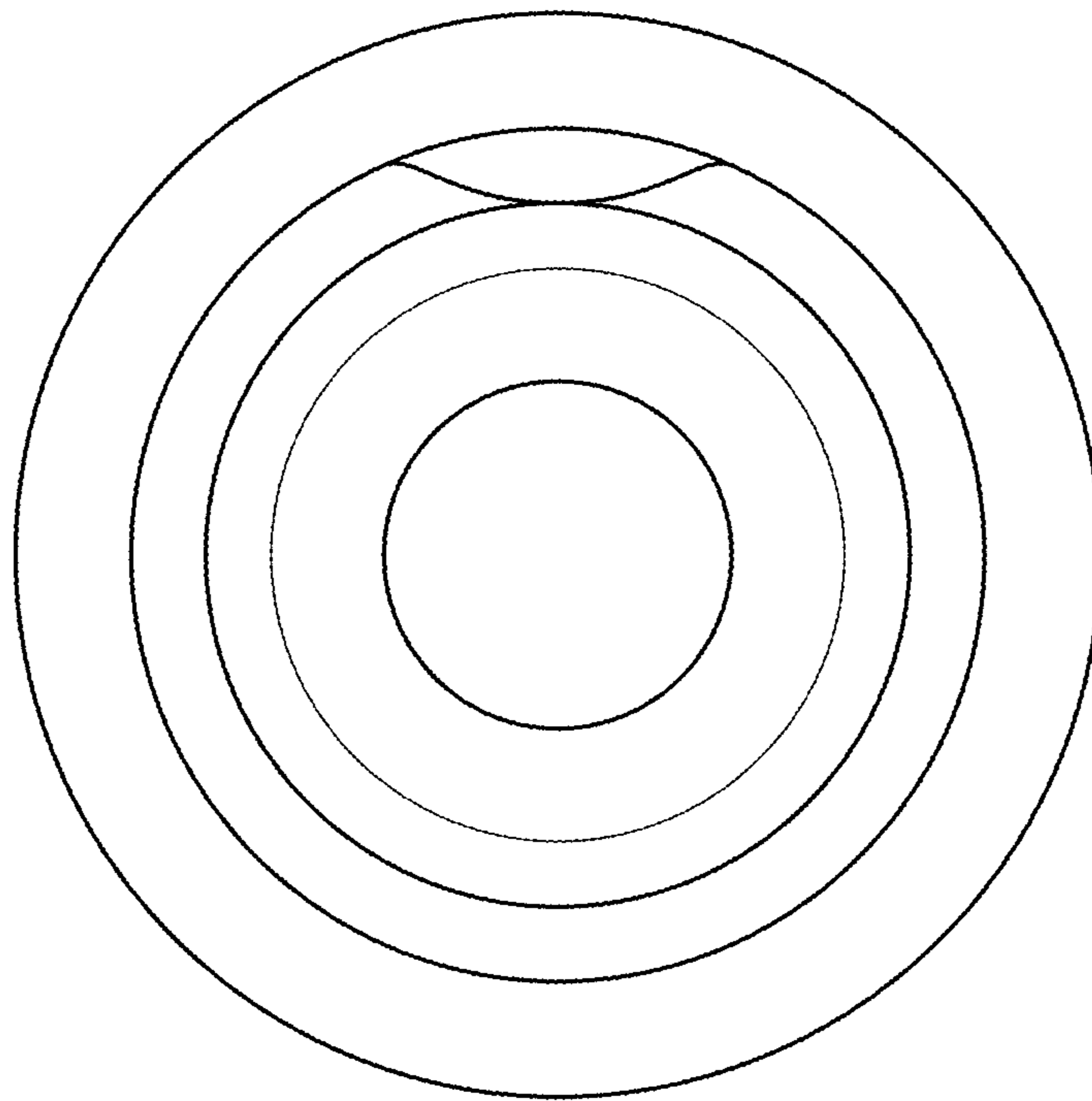
3.2



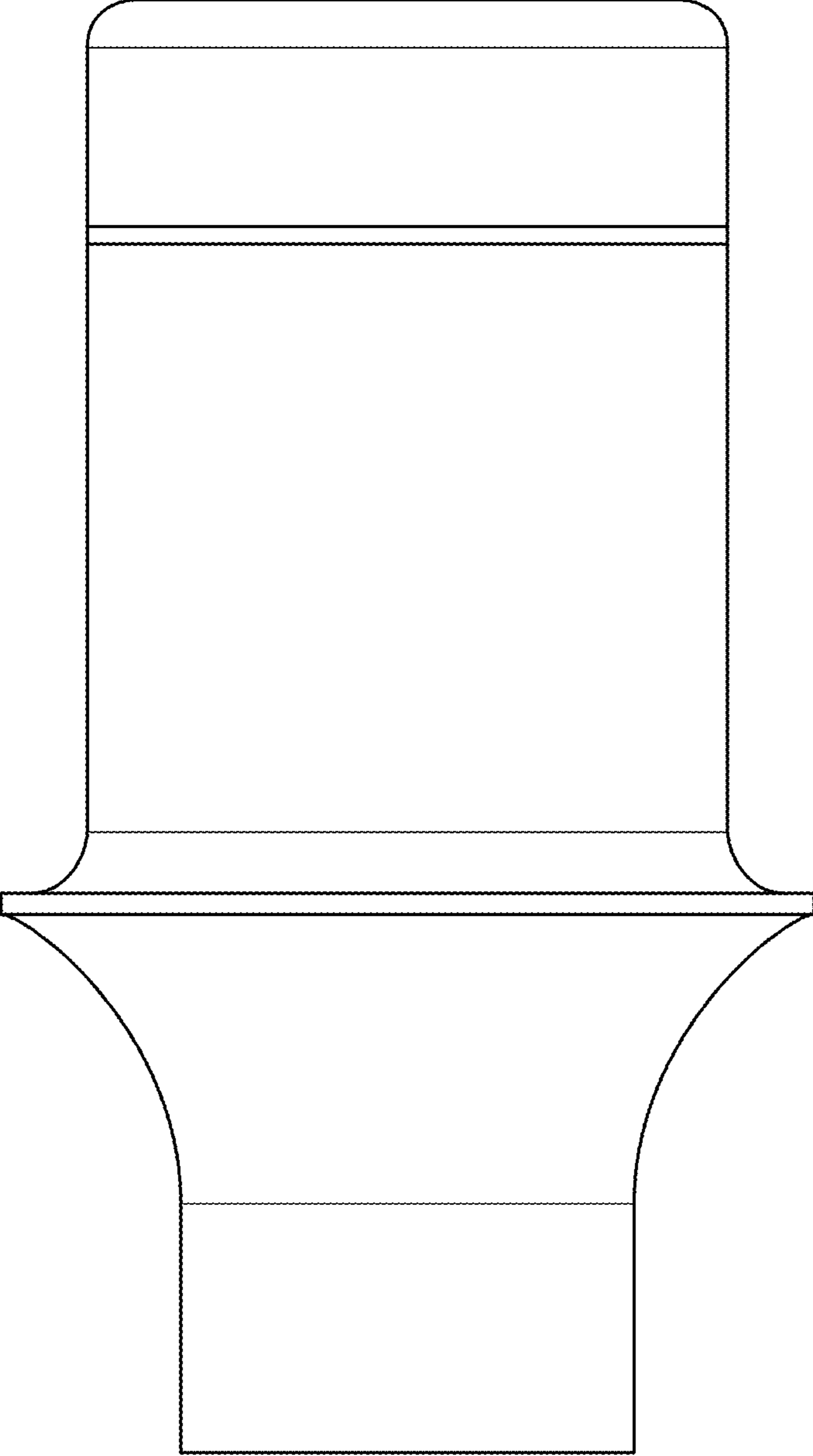
3.3



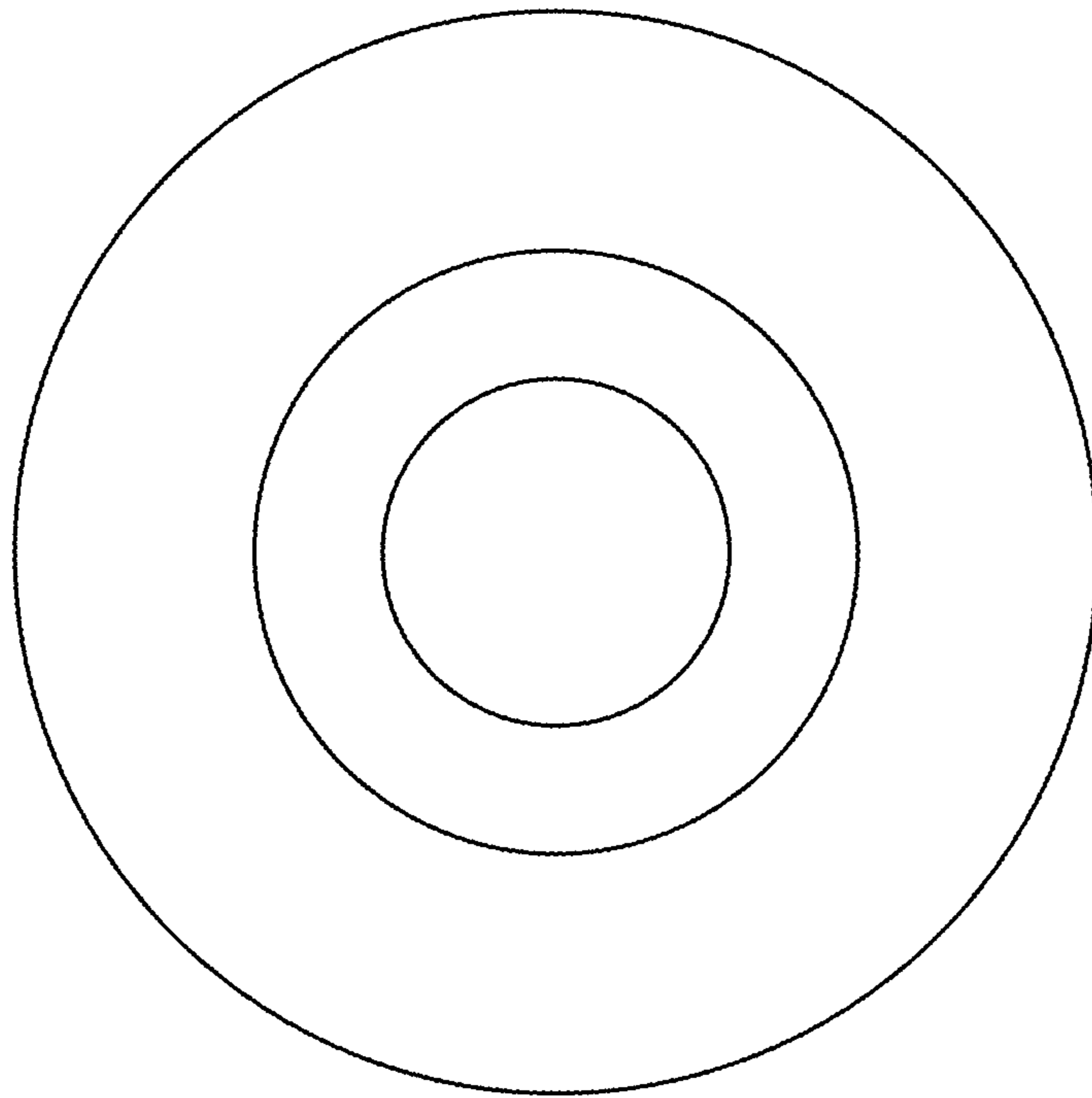
3.4



3.5



3.6



3.7