



US00D825058S

(12) **United States Design Patent**
Pfeffer et al.

(10) **Patent No.:** **US D825,058 S**

(45) **Date of Patent:** **** Aug. 7, 2018**

- (54) **BIPOLAR FORCEPS**
- (71) Applicant: **KARL STORZ GmbH & Co. KG**,
Tuttlingen (DE)
- (72) Inventors: **Marian Pfeffer**, Tuttlingen (DE);
Martin Blocher, Tuttlingen (DE)
- (73) Assignee: **KARL STORZ GmbH & Co. KG**,
Tuttlingen (DE)

6,231,574 B1 * 5/2001 Posthuma A61B 18/1442
606/51
6,616,683 B1 * 9/2003 Toth A61B 17/29
606/205
D485,359 S * 1/2004 McMichael D24/143
8,696,671 B2 * 4/2014 Solsberg A61B 17/1608
606/205
D762,302 S * 7/2016 Dunn D24/143
2014/0135820 A1 * 5/2014 Schaller A61B 17/30
606/205
2015/0238355 A1 * 8/2015 Vezzu A61B 17/29
606/207

(**) Term: **15 Years**

* cited by examiner

(21) Appl. No.: **29/618,816**

Primary Examiner — Wan Laymon

(22) Filed: **Sep. 25, 2017**

(74) *Attorney, Agent, or Firm* — Muncy, Geissler, Olds & Lowe, P.C.

(30) **Foreign Application Priority Data**

(57) **CLAIM**

Mar. 23, 2017 (EM) 003819580-0006

The ornamental design for a bipolar forceps, as shown and described.

(51) **LOC (11) Cl.** **24-02**

DESCRIPTION

(52) **U.S. Cl.**

USPC **D24/143**

(58) **Field of Classification Search**

USPC D24/133, 143; D28/55

CPC A61B 17/29; A61B 17/30; A61B 17/28;

A61B 18/1442; A61B 18/1445; A61B

2018/1462; A45D 26/0066

See application file for complete search history.

FIG. 1 is a front perspective view of a bipolar forceps according to the present invention.

FIG. 2 is a front view of the bipolar forceps of FIG. 1.

FIG. 3 is a rear view of the bipolar forceps of FIG. 1.

FIG. 4 is a left side view of the bipolar forceps of FIG. 1.

FIG. 5 is a right side view of the bipolar forceps of FIG. 1.

FIG. 6 is a top view of the bipolar forceps of FIG. 1; and,

FIG. 7 is a bottom view of the bipolar forceps of FIG. 1.

The dash broken line showing of the bipolar forces is included for the purpose of illustrating portions of the article and forms no part of the claimed design. The dash-dot-dash broken line defines the bounds of the claimed design and forms no part thereof.

(56) **References Cited**

U.S. PATENT DOCUMENTS

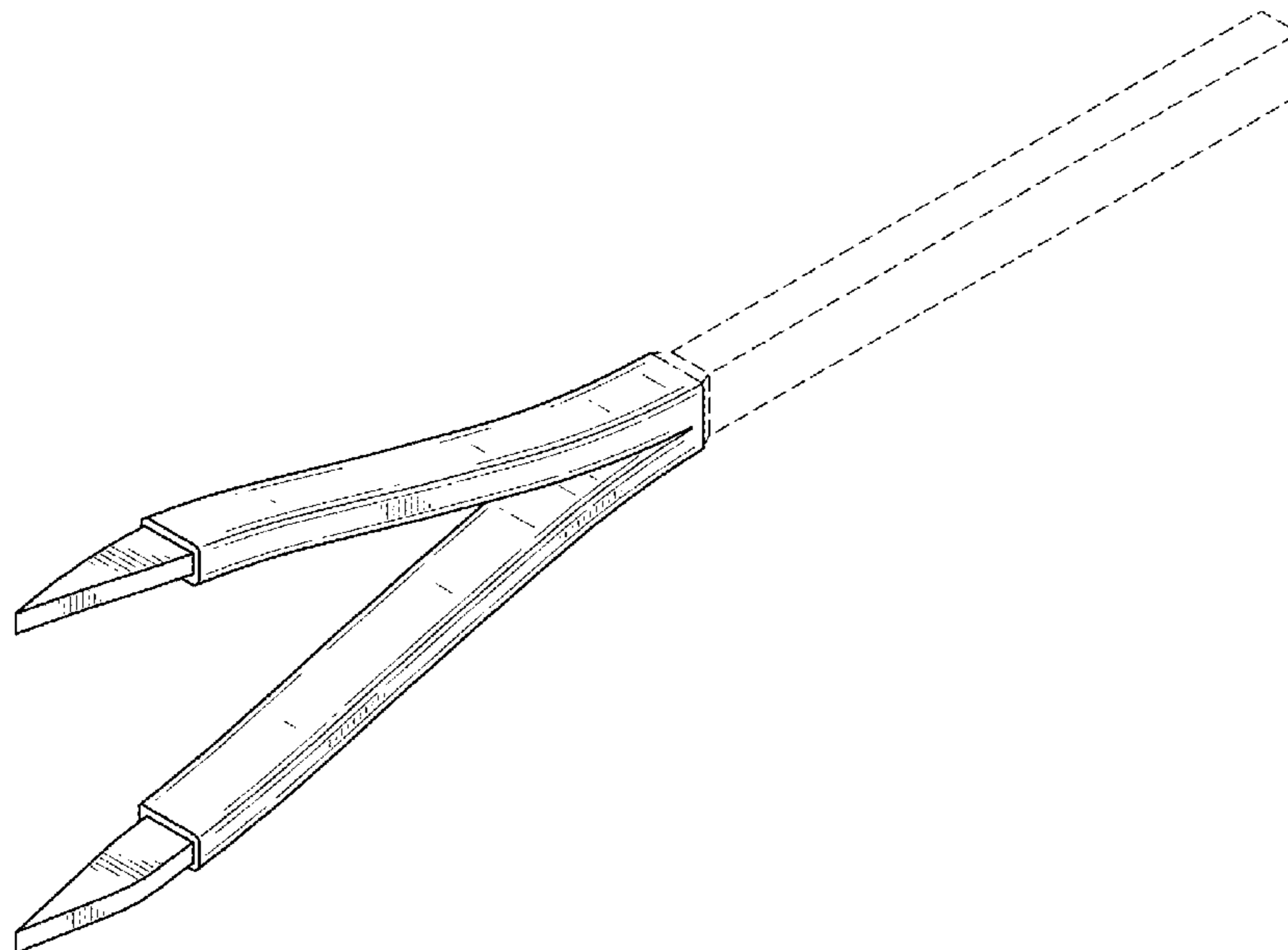
D267,509 S * 1/1983 Wannag D24/143

D331,800 S * 12/1992 Han D24/143

5,222,973 A * 6/1993 Sharpe A61B 17/29

294/100

1 Claim, 7 Drawing Sheets



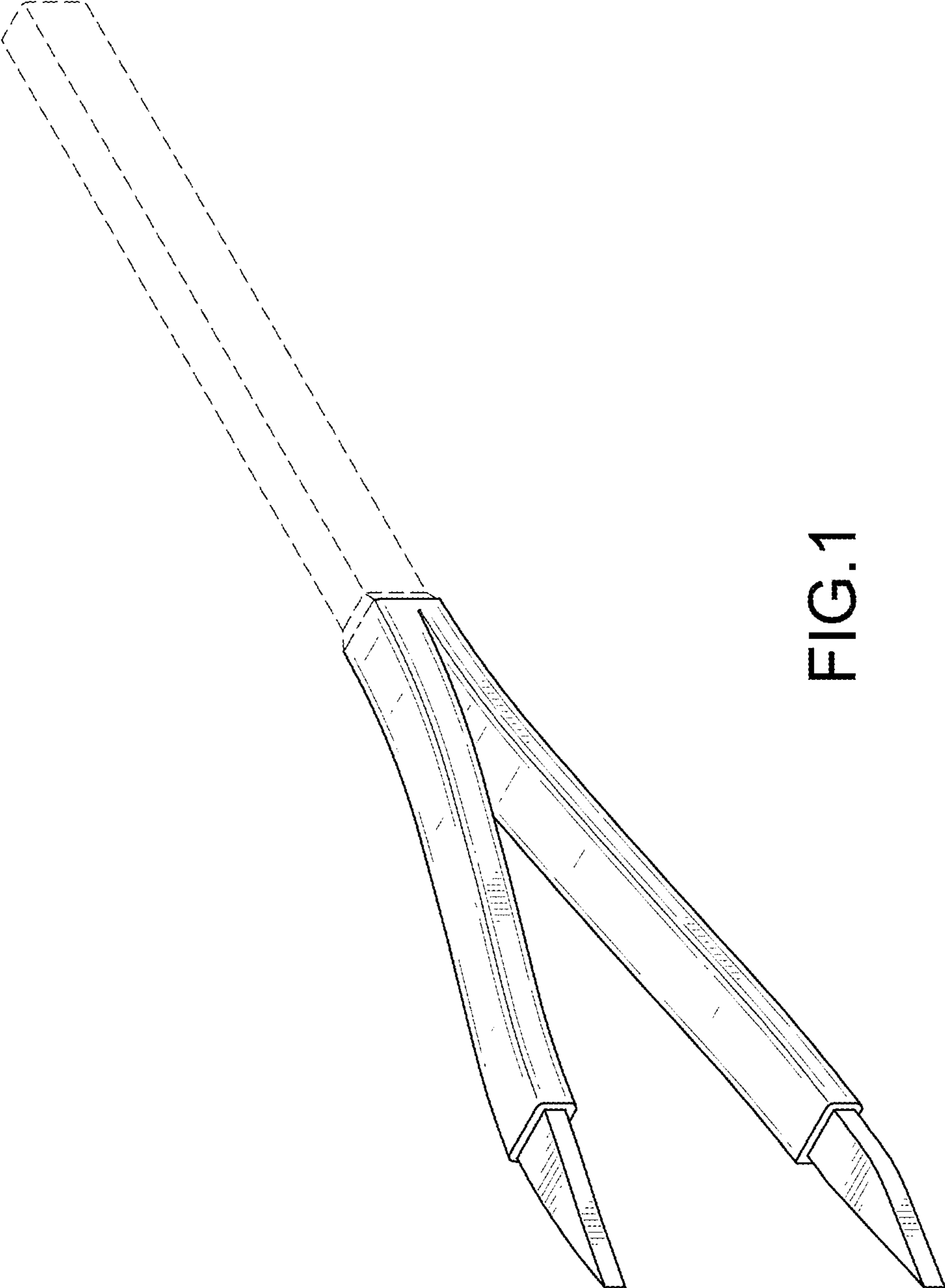


FIG.1

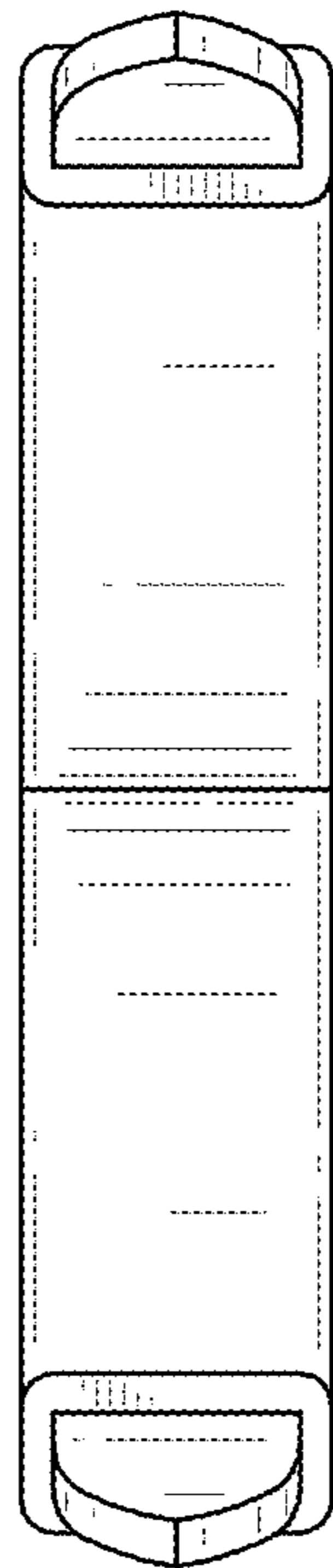


FIG.2

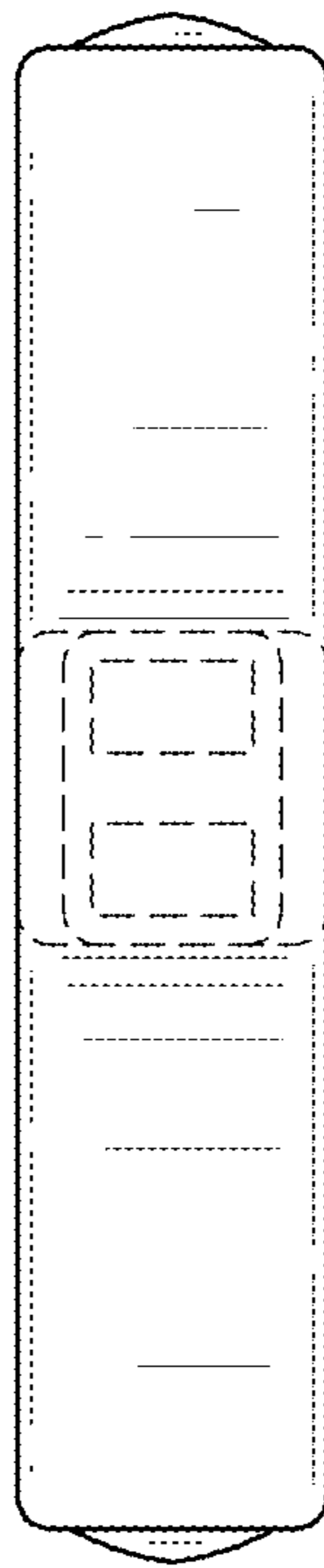


FIG.3

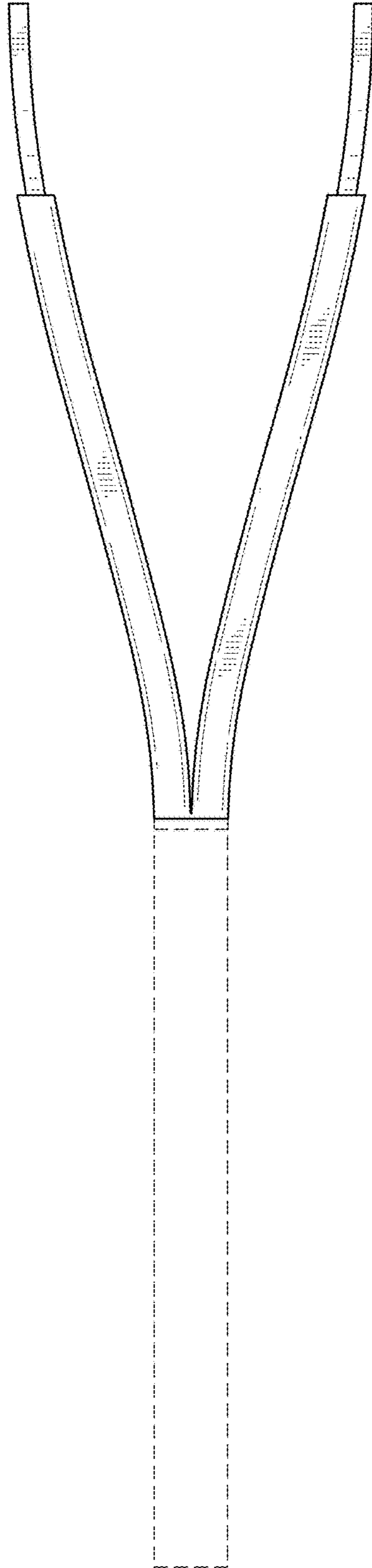


FIG.4

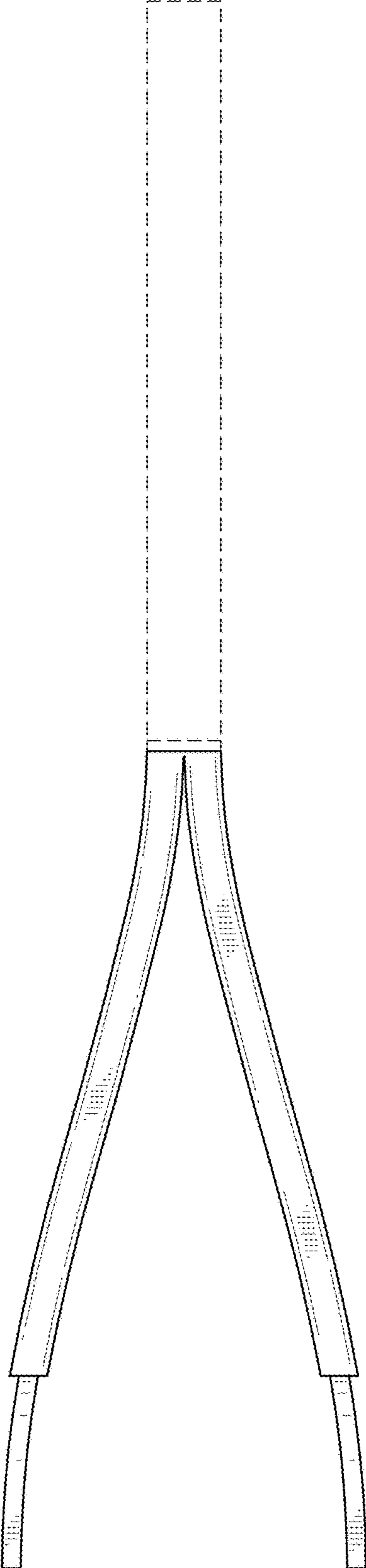


FIG.5

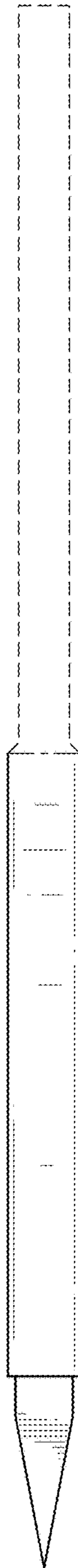


FIG.6

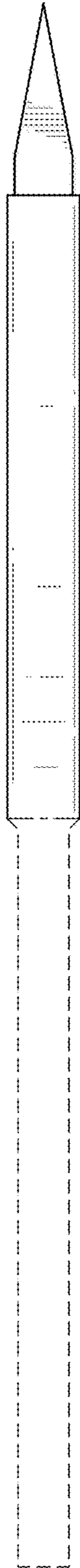


FIG.7