



US00D825057S

(12) **United States Design Patent**  
**Pfeffer et al.**

(10) **Patent No.:** **US D825,057 S**  
(45) **Date of Patent:** **\*\* Aug. 7, 2018**

- (54) **BIPOLAR FORCEPS**
- (71) Applicant: **KARL STORZ GmbH & Co. KG**,  
Tuttlingen (DE)
- (72) Inventors: **Marian Pfeffer**, Tuttlingen (DE);  
**Martin Blocher**, Tuttlingen (DE)
- (73) Assignee: **KARL STORZ GmbH & Co. KG**,  
Tuttlingen (DE)
- (\*\*) Term: **15 Years**
- (21) Appl. No.: **29/618,814**
- (22) Filed: **Sep. 25, 2017**
- (30) **Foreign Application Priority Data**  
Mar. 23, 2017 (EM) ..... 003819580-0005
- (51) **LOC (11) Cl.** ..... **24-02**
- (52) **U.S. Cl.**  
USPC ..... **D24/143**
- (58) **Field of Classification Search**  
USPC ..... D24/133, 143; D28/55  
CPC ..... A61B 17/29; A61B 17/30; A61B 17/28;  
A61B 18/1442; A61B 18/1445; A61B  
2018/1462; A45D 26/0066  
See application file for complete search history.

- 6,616,683 B1 \* 9/2003 Toth ..... A61B 17/29  
606/205
- D485,359 S \* 1/2004 McMichael ..... D24/143
- 8,696,671 B2 \* 4/2014 Solsberg ..... A61B 17/1608  
606/205
- D762,302 S \* 7/2016 Dunn ..... D24/143
- 2014/0135820 A1 \* 5/2014 Schaller ..... A61B 17/30  
606/205
- 2015/0238355 A1 \* 8/2015 Vezzu ..... A61B 17/29  
606/207

\* cited by examiner

*Primary Examiner* — Wan Laymon

(74) *Attorney, Agent, or Firm* — Muncy, Geissler, Olds & Lowe, P.C.

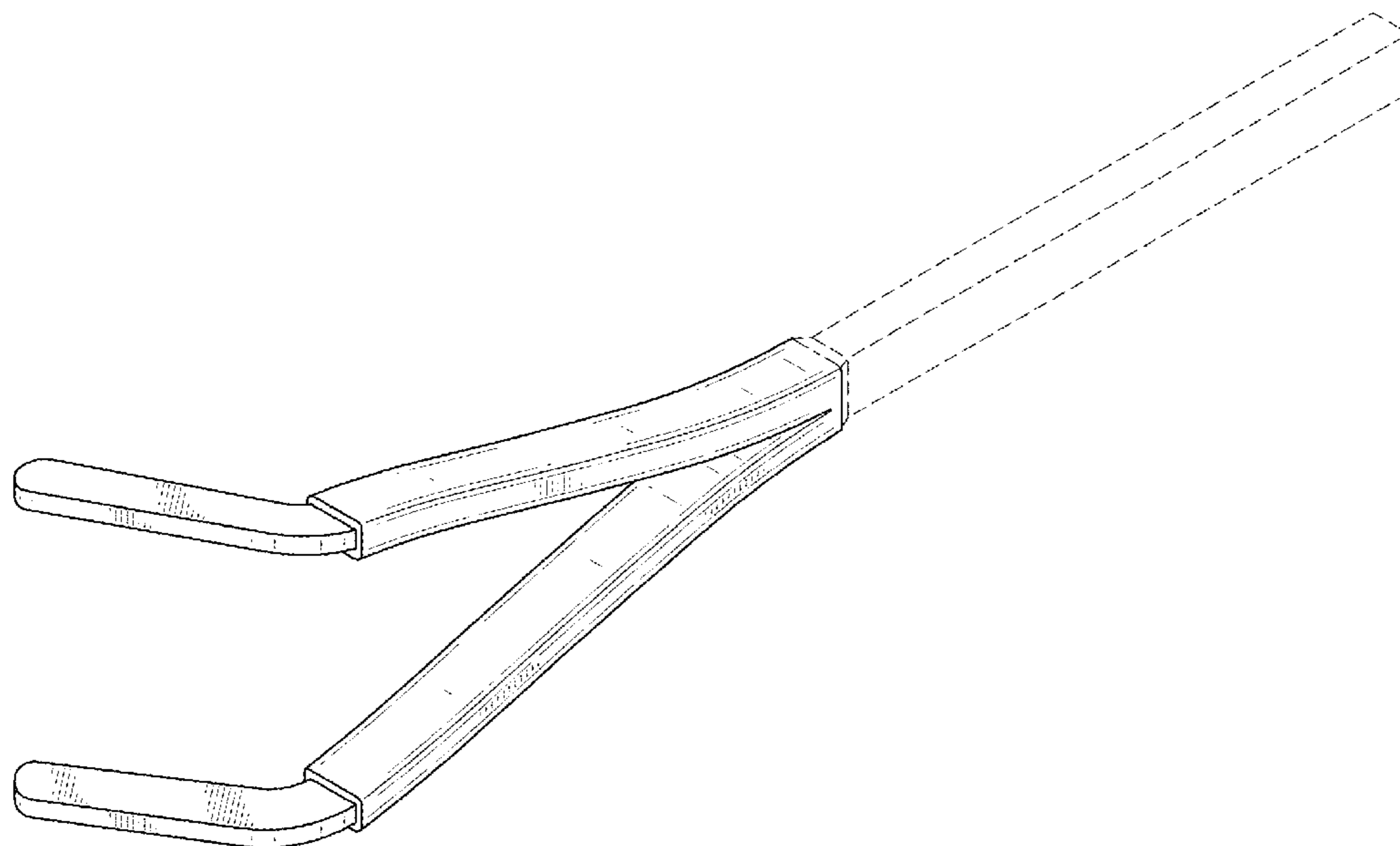
(57) **CLAIM**

The ornamental design for a bipolar forceps, as shown and described.

**DESCRIPTION**

FIG. 1 is a front perspective view of a bipolar forceps according to the present invention.  
 FIG. 2 is an enlarged front view of the bipolar forceps of FIG. 1.  
 FIG. 3 is an enlarged rear view of the bipolar forceps of FIG. 1.  
 FIG. 4 is a left side view of the bipolar forceps of FIG. 1.  
 FIG. 5 is a right side view of the bipolar forceps of FIG. 1.  
 FIG. 6 is a top view of the bipolar forceps of FIG. 1; and,  
 FIG. 7 is a bottom view of the bipolar forceps of FIG. 1.  
 The dash broken line showing of the bipolar forces is included for the purpose of illustrating portions of the article and forms no part of the claimed design. The dash-dot-dash broken line defines the bounds of the claimed design and forms no part thereof.

**1 Claim, 7 Drawing Sheets**



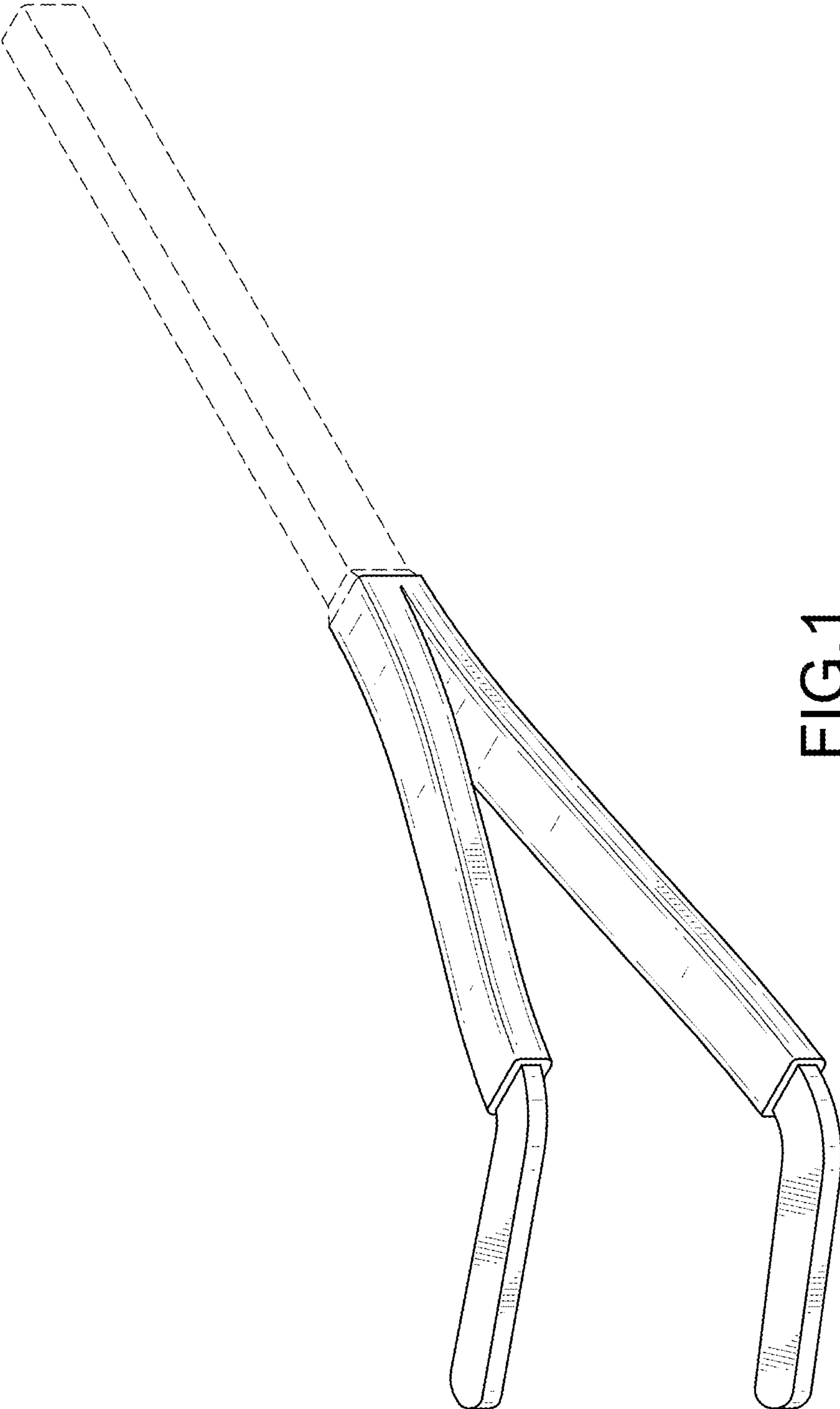


FIG.1

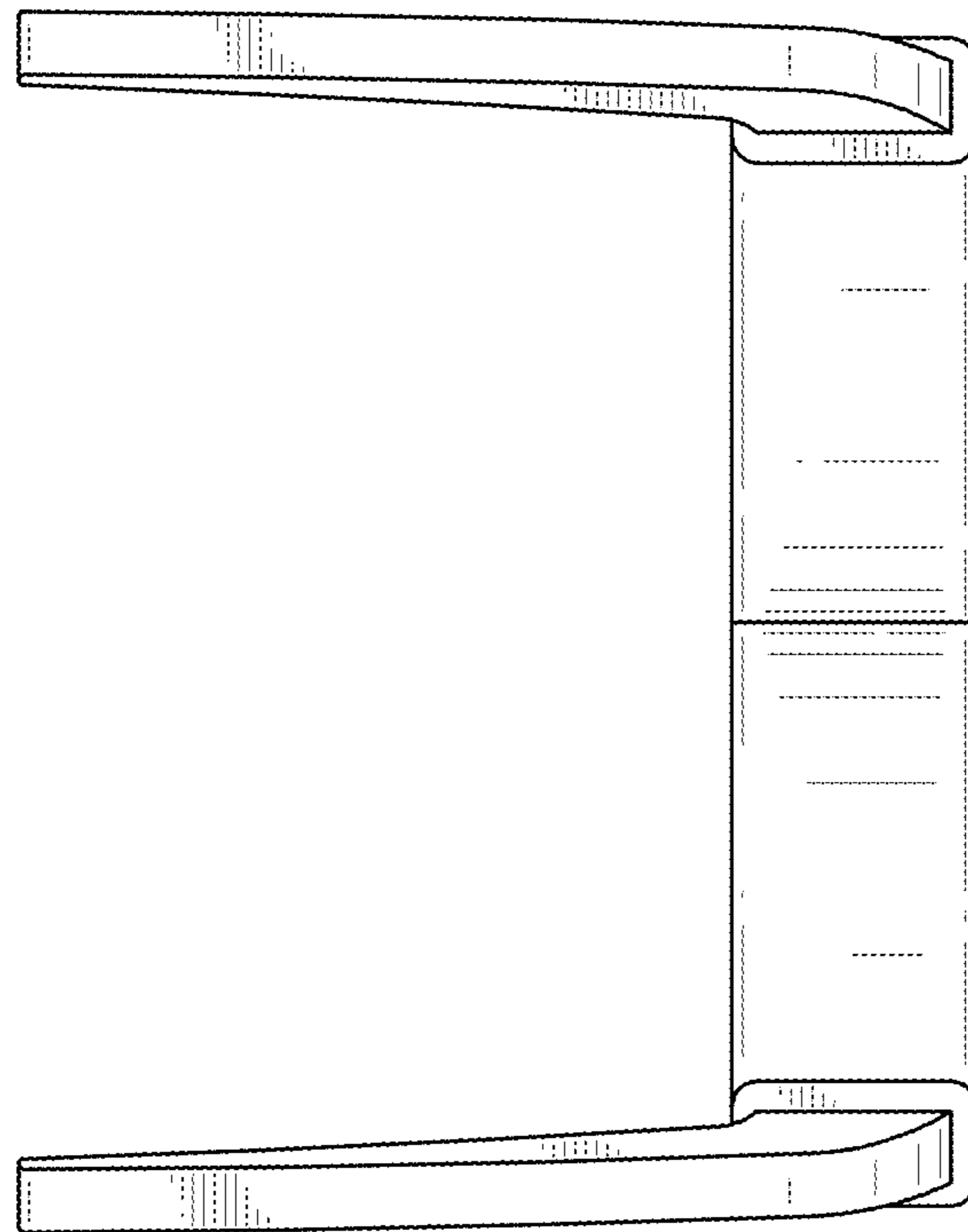


FIG.2

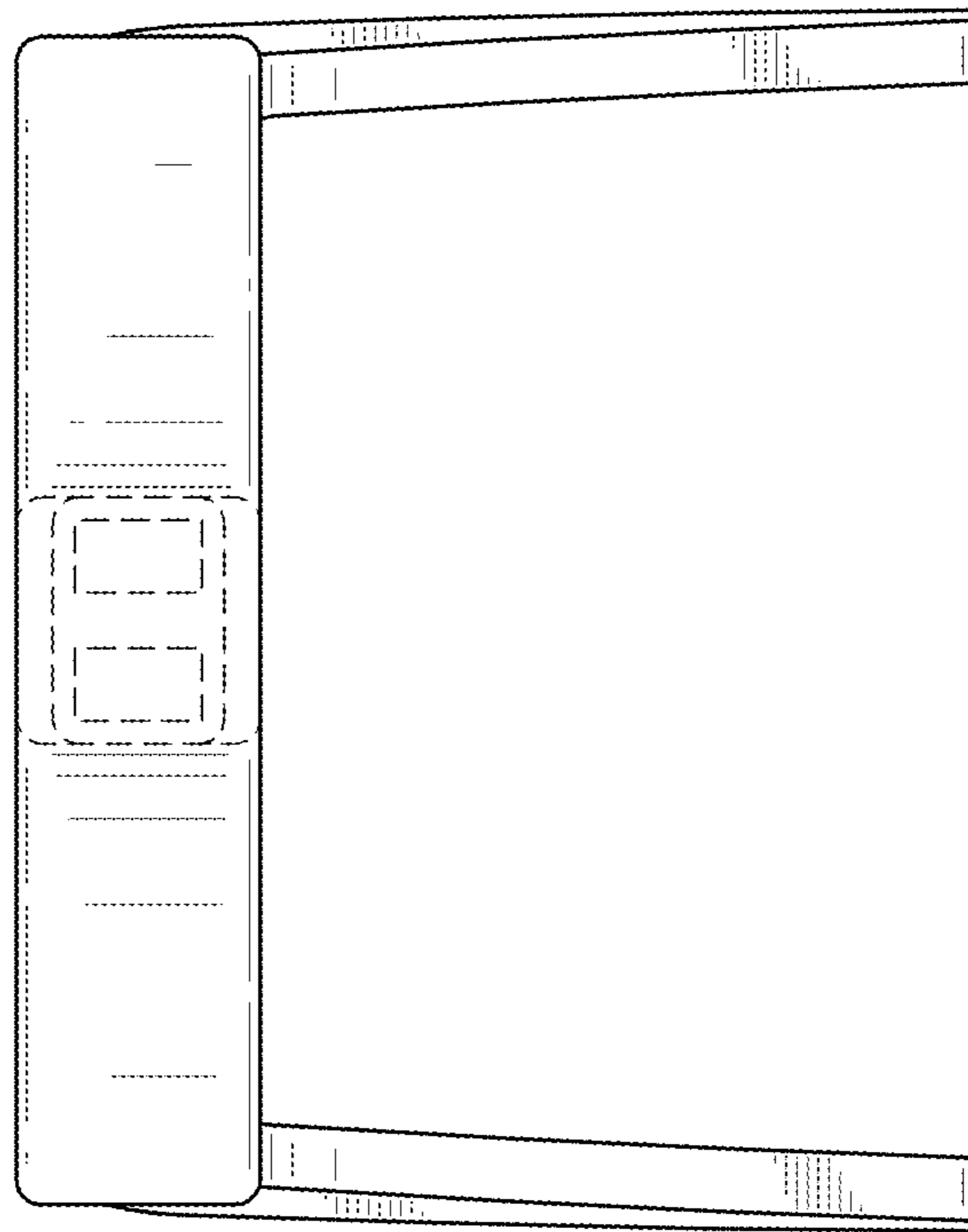


FIG. 3

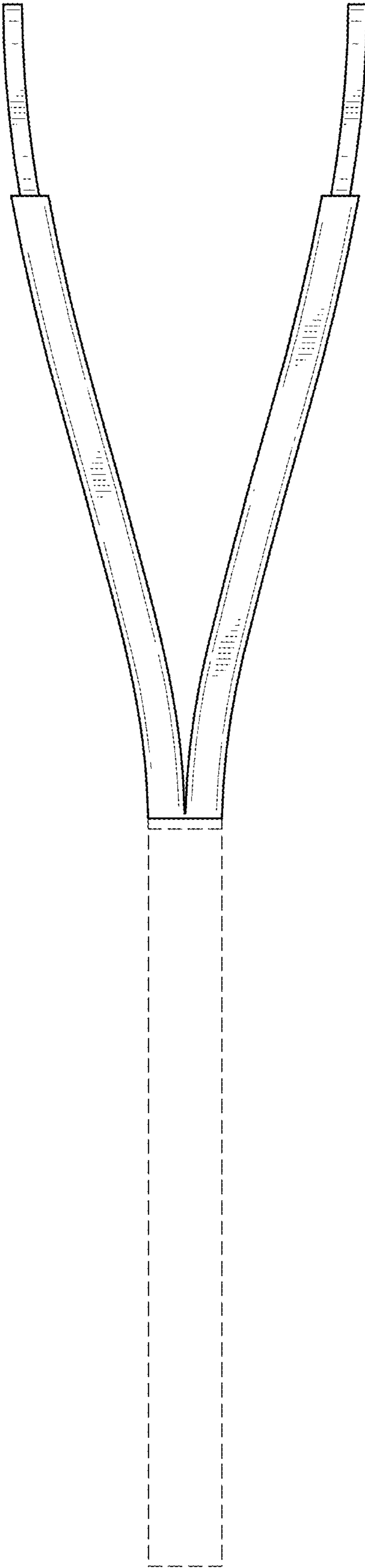


FIG.4

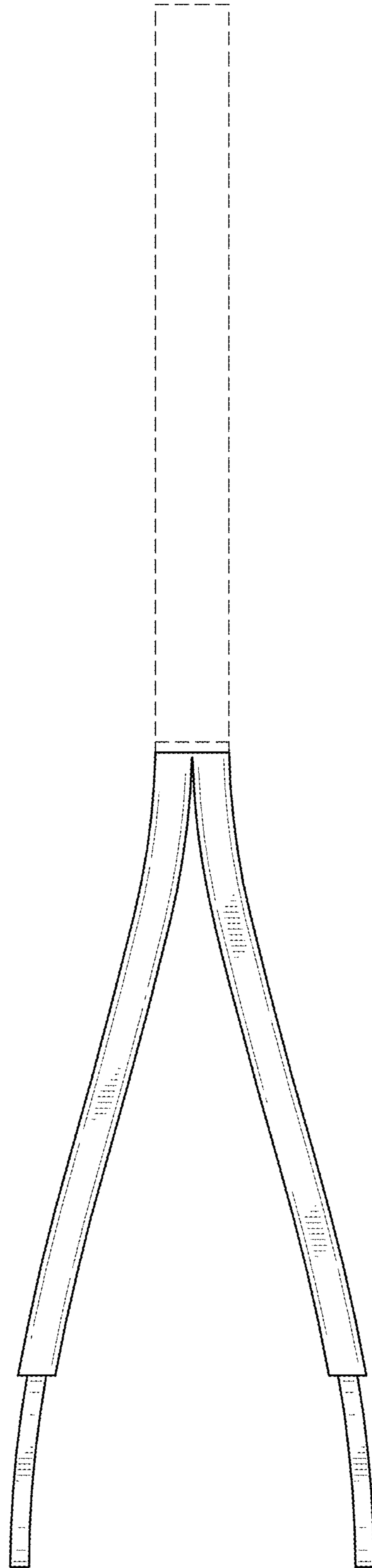


FIG.5

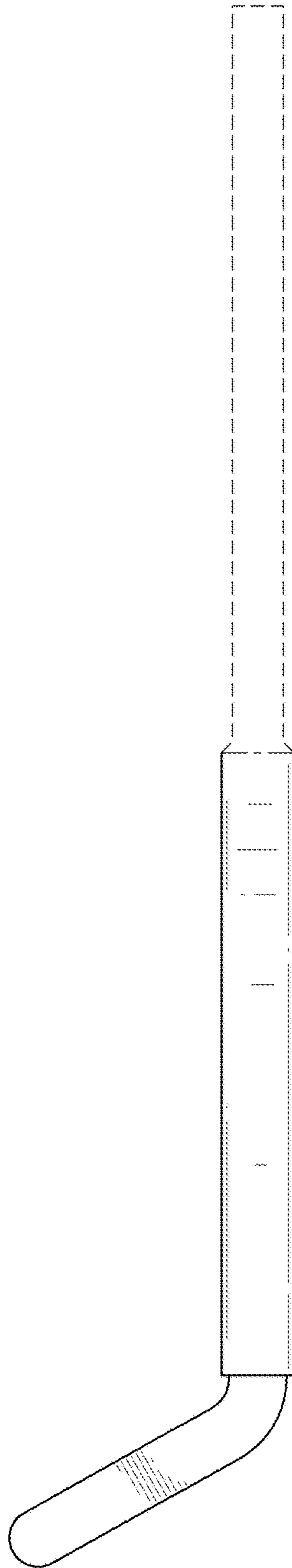


FIG.6

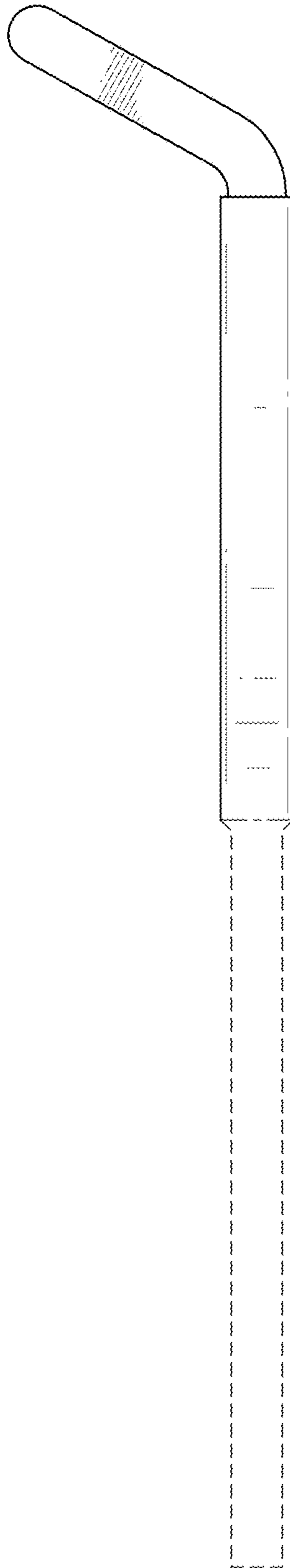


FIG.7