



US00D825054S

(12) **United States Design Patent** (10) **Patent No.:** **US D825,054 S**  
**Malin et al.** (45) **Date of Patent:** **\*\* Aug. 7, 2018**

(54) **ENEMA BOTTLE WITH PERFORATED SHRINK-WRAPPED TAMPER SEAL**

(71) Applicant: **Medline Industries, Inc.**, Mundelein, IL (US)

(72) Inventors: **Donald Malin**, Lake Zurich, IL (US); **Kenneth S. Chua**, Glenview, IL (US)

(73) Assignee: **MEDLINE INDUSTRIES, INC.**, Mundelein, IL (US)

(\*\*) Term: **15 Years**

(21) Appl. No.: **29/556,573**

(22) Filed: **Mar. 1, 2016**

**Related U.S. Application Data**

(62) Division of application No. 29/460,900, filed on Jul. 16, 2013, now Pat. No. Des. 750,771.

(51) **LOC (11) Cl.** ..... **24-04**

(52) **U.S. Cl.**  
USPC ..... **D24/121**

(58) **Field of Classification Search**  
USPC ..... D24/121, 112, 113, 115, 133, 186, 130, D24/127, 129, 108, 107; 600/400, 600/473-476, 101, 139, 143; 606/15-16, 606/181, 185; 604/264, 280, 256, 164, 604/283, 174, 279, 275, 278; 128/200.24, 128/207.14, 207.15; D9/718, 719, 724, D9/732, 689, 302, 367, 389, 403, 413, D9/416, 447, 434, 435, 516, 523, 526, D9/530, 537, 540, 545, 549, 682, 686, D9/688-690, 723; 215/1 R, 1 C, 14, 215/12.1; 220/771, 738, 234, 737, 574; D7/507, 509, 510, 51, 512, 518, 521, 533, D7/536, 300, 598, 312, 316, 317, 608, D7/300.1; D12/411, 114

(Continued)

(56) **References Cited**

U.S. PATENT DOCUMENTS

2,848,997 A \* 8/1958 Miskel ..... A61D 1/02 604/192

D216,362 S 12/1969 McIlroy  
(Continued)

OTHER PUBLICATIONS

Medline, Pure & Gentle Disposable Saline Enema, May 14, 2015, <http://www.medline.com/product/Medline-Pure-Gentle-Disposable-Saline-Enema/Z05-PF37546>.

*Primary Examiner* — David Muller

*Assistant Examiner* — Nathan Johnston

(74) *Attorney, Agent, or Firm* — McAndrews, Held & Malloy, Ltd.

(57) **CLAIM**

The ornamental design for an enema bottle with perforated shrink-wrapped tamper seal, as shown and described.

**DESCRIPTION**

FIG. 1 is a front perspective view of an enema bottle with perforated shrink-wrapped tamper seal showing our new design;

FIG. 2 is a front elevation view thereof;

FIG. 3 is a rear elevation view thereof;

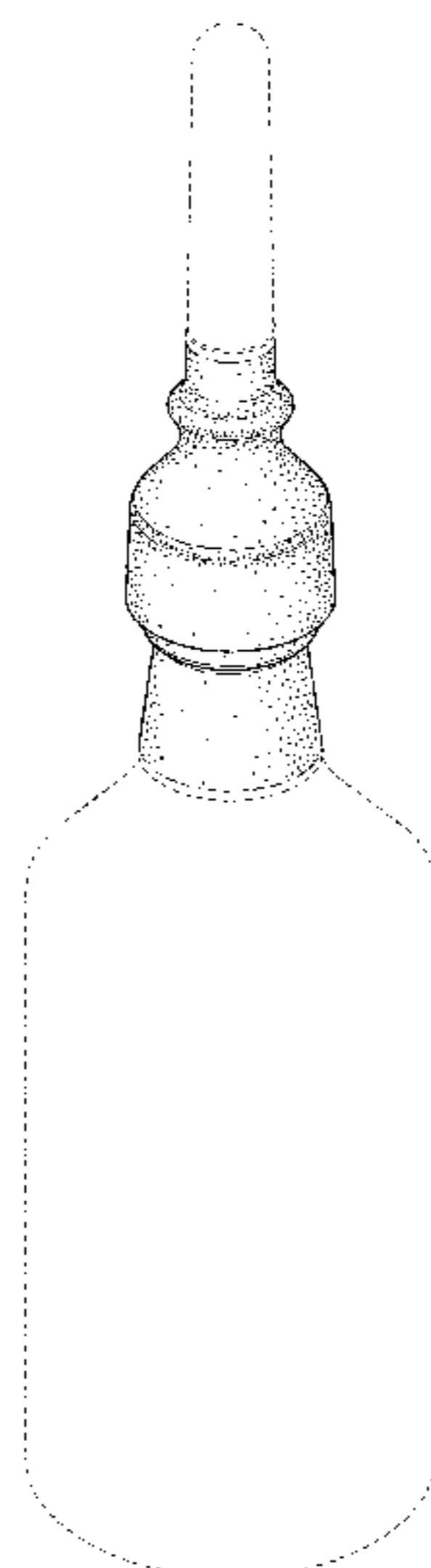
FIG. 4 is a left-side elevation view thereof;

FIG. 5 is a right-side elevation view thereof; and,

FIG. 6 is a top plan view thereof.

The dashed broken lines in the drawings show portions of the enema bottle with perforated shrink-wrapped tamper seal that form no part of the claimed design. The stippling is meant to represent the appearance of a shrink-wrapped portion. The parallel dotted lines on the shrink-wrapped portion represent perforations and form part of the claimed design. The dot-dash broken lines in the drawings represent the boundaries of the claimed design.

**1 Claim, 4 Drawing Sheets**



# US D825,054 S

(58) **Field of Classification Search**  
 CPC ..... A61M 3/0262; A61M 3/0279; A61M  
 2210/1064  
 See application file for complete search history.

(56) **References Cited**

U.S. PATENT DOCUMENTS

3,486,503 A \* 12/1969 Merchlewitz ..... A61M 3/0279  
 222/215

D240,596 S 7/1976 Brown  
 D251,203 S \* 2/1979 Williamson ..... D24/114  
 4,223,814 A 9/1980 Sneider  
 4,752,288 A 6/1988 Hussey  
 D311,296 S \* 10/1990 Santoiemmo ..... D7/300  
 D312,774 S 12/1990 Tacconelli  
 D317,203 S 5/1991 Walsh  
 D318,233 S 7/1991 Ackerman  
 D326,812 S 6/1992 Noakes et al.  
 D327,016 S \* 6/1992 Leuenberger ..... D9/435  
 D330,081 S 10/1992 Walsh  
 D341,205 S 11/1993 Greenley  
 D344,662 S \* 3/1994 Dittman ..... D8/14  
 D382,639 S \* 8/1997 Musgrave ..... D24/108  
 5,941,815 A \* 8/1999 Chang ..... A61B 1/00142  
 600/114

D416,086 S 11/1999 Parris et al.  
 D421,496 S \* 3/2000 Hellstrom ..... D24/121  
 6,110,150 A 8/2000 Singo et al.  
 D447,561 S \* 9/2001 Rudzena ..... D24/121  
 D447,798 S \* 9/2001 Rudzena ..... D24/121  
 D448,077 S 9/2001 Rudzena et al.

6,308,846 B1 10/2001 Müller  
 6,364,473 B1 \* 4/2002 Liu ..... B41J 2/17506  
 141/18

D466,553 S 12/2002 Yan  
 D468,640 S 1/2003 Mitchell et al.  
 D470,818 S \* 2/2003 Cheng ..... D13/133  
 D524,648 S \* 7/2006 Feist ..... D28/7  
 D524,649 S 7/2006 Samartgis  
 D551,569 S \* 9/2007 Tanaka ..... D9/724  
 D558,673 S \* 1/2008 Easley ..... D13/133  
 D559,397 S 1/2008 Eriksson et al.  
 7,316,679 B2 1/2008 Bierman  
 D601,908 S 10/2009 Yun  
 D641,469 S \* 7/2011 Ruiz, Sr. ..... D24/133  
 D673,058 S \* 12/2012 Park ..... D9/529  
 D692,319 S \* 10/2013 Moreau ..... D9/724  
 D699,841 S \* 2/2014 Lombardi, III ..... D24/129  
 D707,566 S 6/2014 Serrano et al.  
 D713,522 S 9/2014 Woehr et al.  
 D726,364 S 4/2015 Weigensberg et al.  
 D779,056 S \* 2/2017 Brannon ..... D24/127  
 D788,295 S \* 5/2017 Holmstrom ..... D24/130  
 D799,747 S \* 10/2017 Champion ..... D27/169

2006/0106374 A1 \* 5/2006 Moran ..... A61B 18/22  
 606/16

2006/0116553 A1 \* 6/2006 Dunki-Jacobs ..... A61B 1/0653  
 600/179

2007/0005025 A1 1/2007 Cox  
 2010/0106147 A1 \* 4/2010 Boitor ..... A61B 18/22  
 606/16

2011/0077603 A1 3/2011 Mehta  
 2012/0012595 A1 1/2012 Yourist

\* cited by examiner

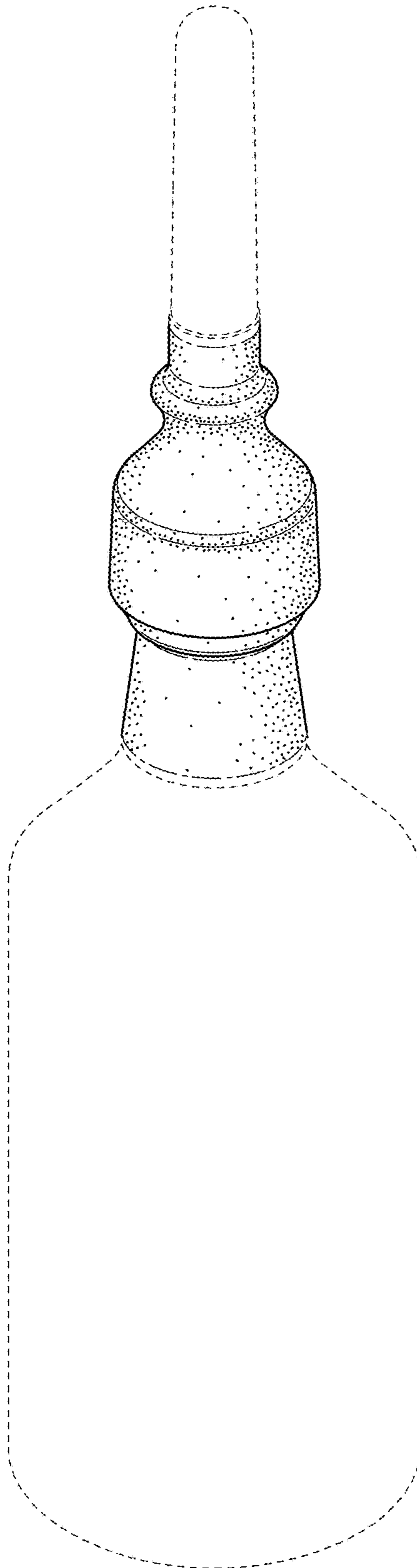


FIG. 1

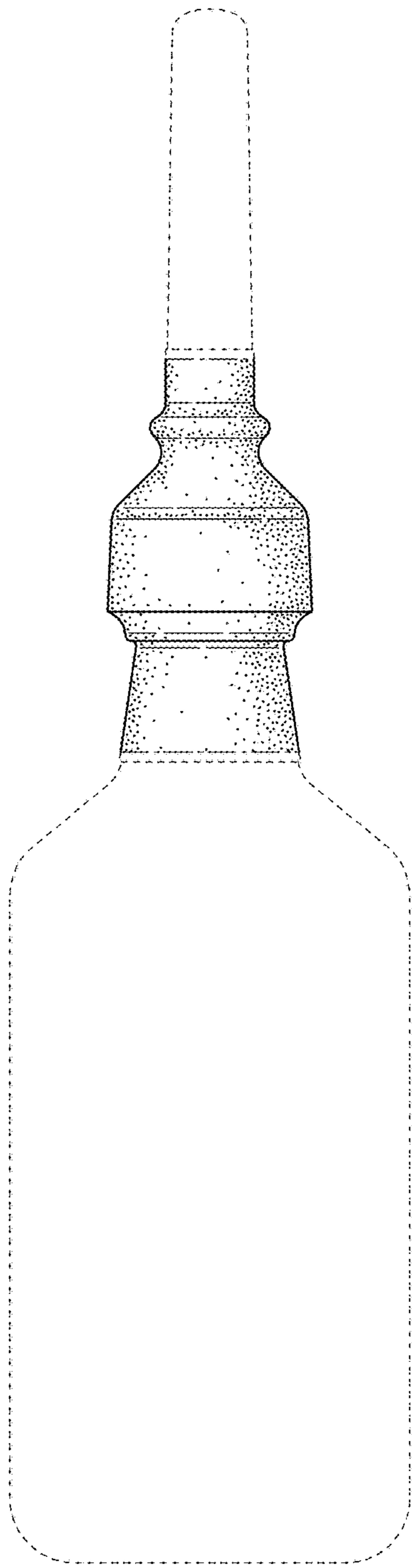


FIG. 2

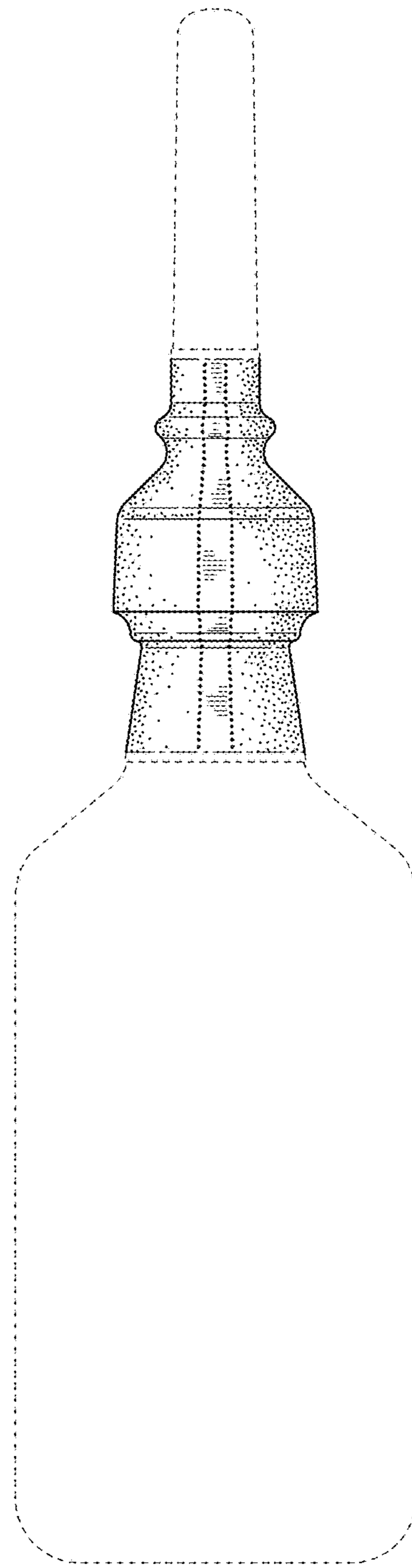


FIG. 3

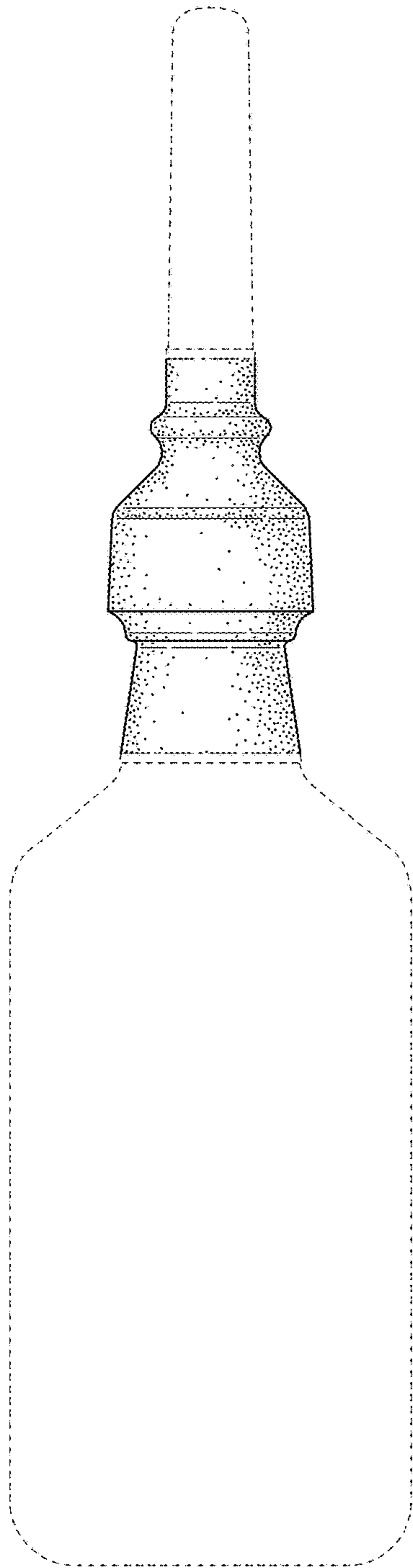


FIG. 4

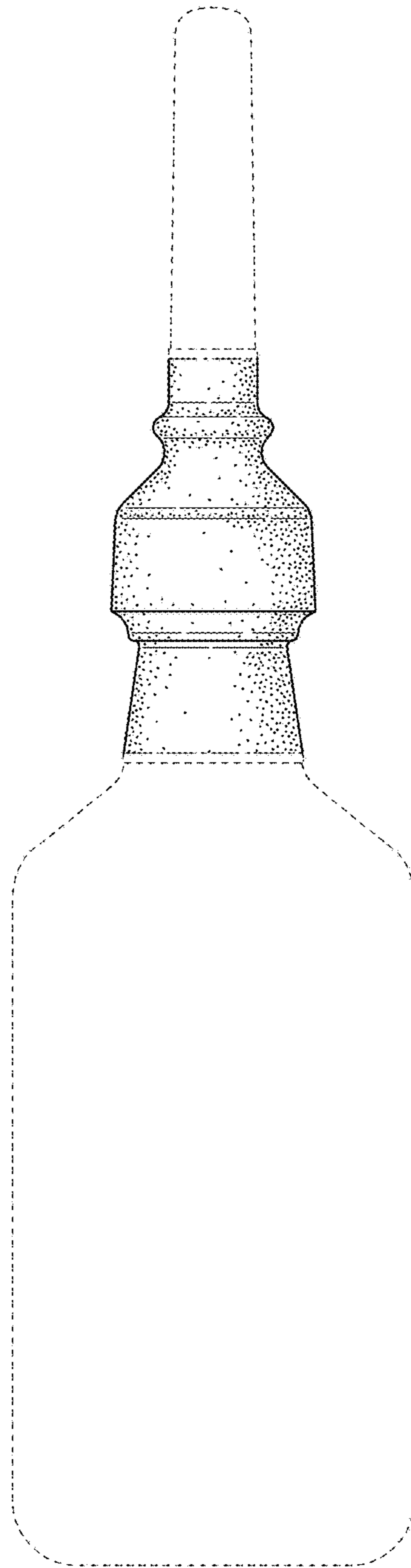


FIG. 5

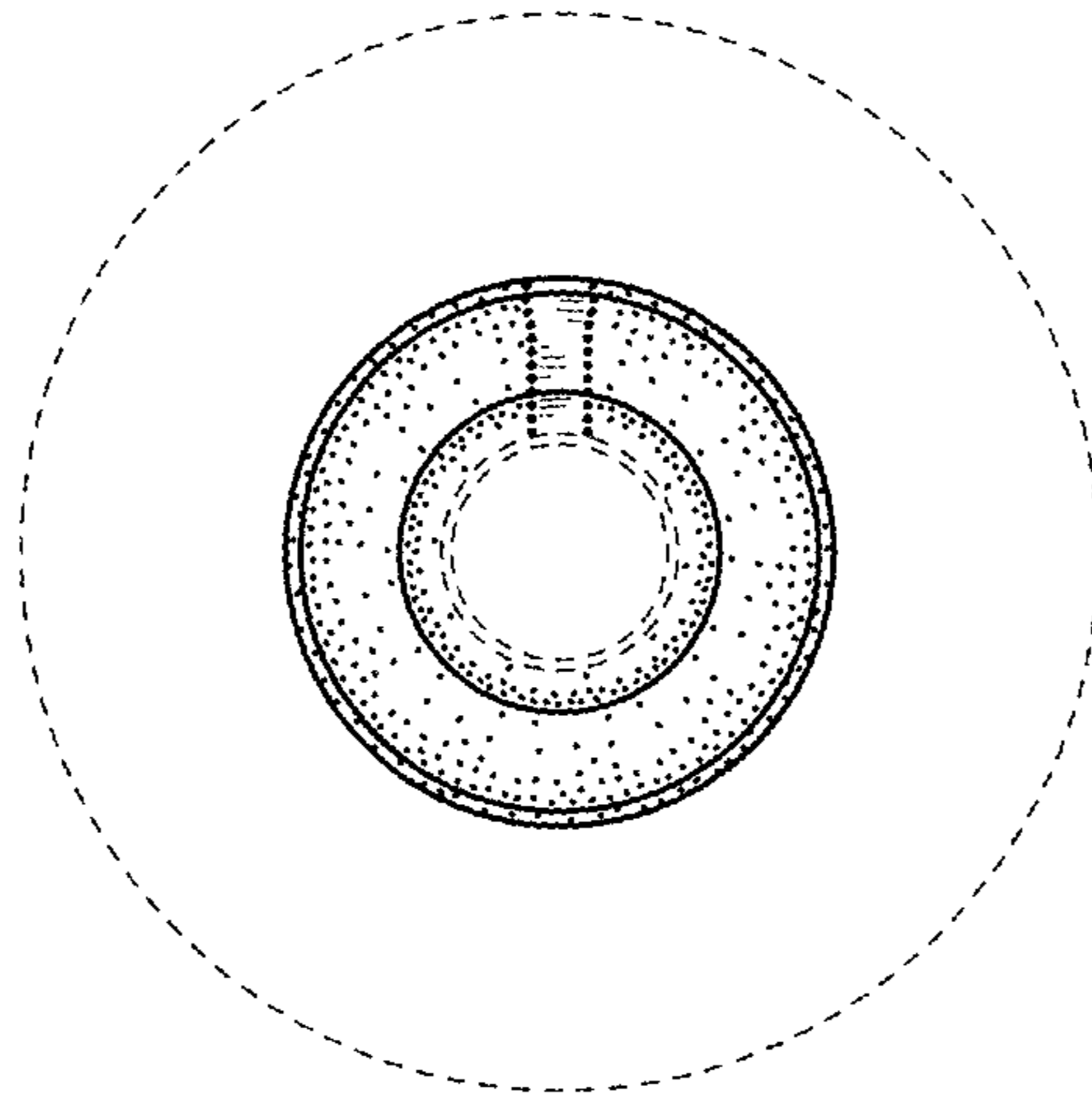


FIG. 6