



US00D825053S

(12) **United States Design Patent**  
**Ronayne et al.**

(10) **Patent No.:** **US D825,053 S**  
(45) **Date of Patent:** **\*\* Aug. 7, 2018**

- (54) **NASAL CANNULA**
- (71) Applicant: **Fisher & Paykel Healthcare Limited**,  
Auckland (NZ)
- (72) Inventors: **Michael Paul Ronayne**, Auckland  
(NZ); **Leon Tyler Stanley**, Auckland  
(NZ); **Daniel Charles Wilson**,  
Auckland (NZ); **Robert Andrew David**  
**Milne**, Auckland (NZ); **Chelsea Erin**  
**Johnson**, Auckland (NZ); **Graeme**  
**Lachlan Vincent**, Auckland (NZ)
- (73) Assignee: **Fisher & Paykel Healthcare Limited**,  
Auckland (NZ)

7,178,525	B2 *	2/2007	Matula, Jr. ....	A61M 16/0666
				128/206.27
7,318,437	B2 *	1/2008	Gunaratnam ....	A61M 16/0666
				128/206.11
8,333,194	B2 *	12/2012	Lewis .....	A61J 11/0005
				128/200.24
8,857,434	B2 *	10/2014	Han .....	A61M 16/0683
				128/207.11
D717,942	S *	11/2014	Neff .....	D24/110.1
D724,720	S *	3/2015	O'Connor .....	D24/112
9,027,561	B2 *	5/2015	Solly .....	A61M 16/047
				128/207.18
D747,461	S *	1/2016	Tam .....	D24/110.1
D757,250	S *	5/2016	Veliss .....	D24/110.4
9,604,025	B2 *	3/2017	Pastoor .....	A61M 16/0666
9,764,107	B2 *	9/2017	Grashow .....	A61M 16/0622

(\*\*) Term: **15 Years**

(21) Appl. No.: **29/559,013**

(22) Filed: **Mar. 23, 2016**

(51) **LOC (11) Cl.** ..... **29-02**

(52) **U.S. Cl.**  
USPC ..... **D24/110.5**

(58) **Field of Classification Search**  
USPC ..... D24/110, 110.1–110.6, 112–114, 108,  
D24/130, 127, 133, 186; 128/206.11,  
128/207.11, 207.13, 207.18, 205.25,  
128/207.1, 200.24, 204.11  
CPC ..... A61M 16/0683; A61M 16/0672; A61M  
16/0816  
See application file for complete search history.

(56) **References Cited**

**U.S. PATENT DOCUMENTS**

5,572,994	A *	11/1996	Smith .....	A61M 16/08
				128/207.18
6,966,318	B1 *	11/2005	Tsuug .....	A62B 23/06
				128/206.11

\* cited by examiner

*Primary Examiner* — David Muller

(74) *Attorney, Agent, or Firm* — Knobbe, Martens, Olson  
& Bear, LLP

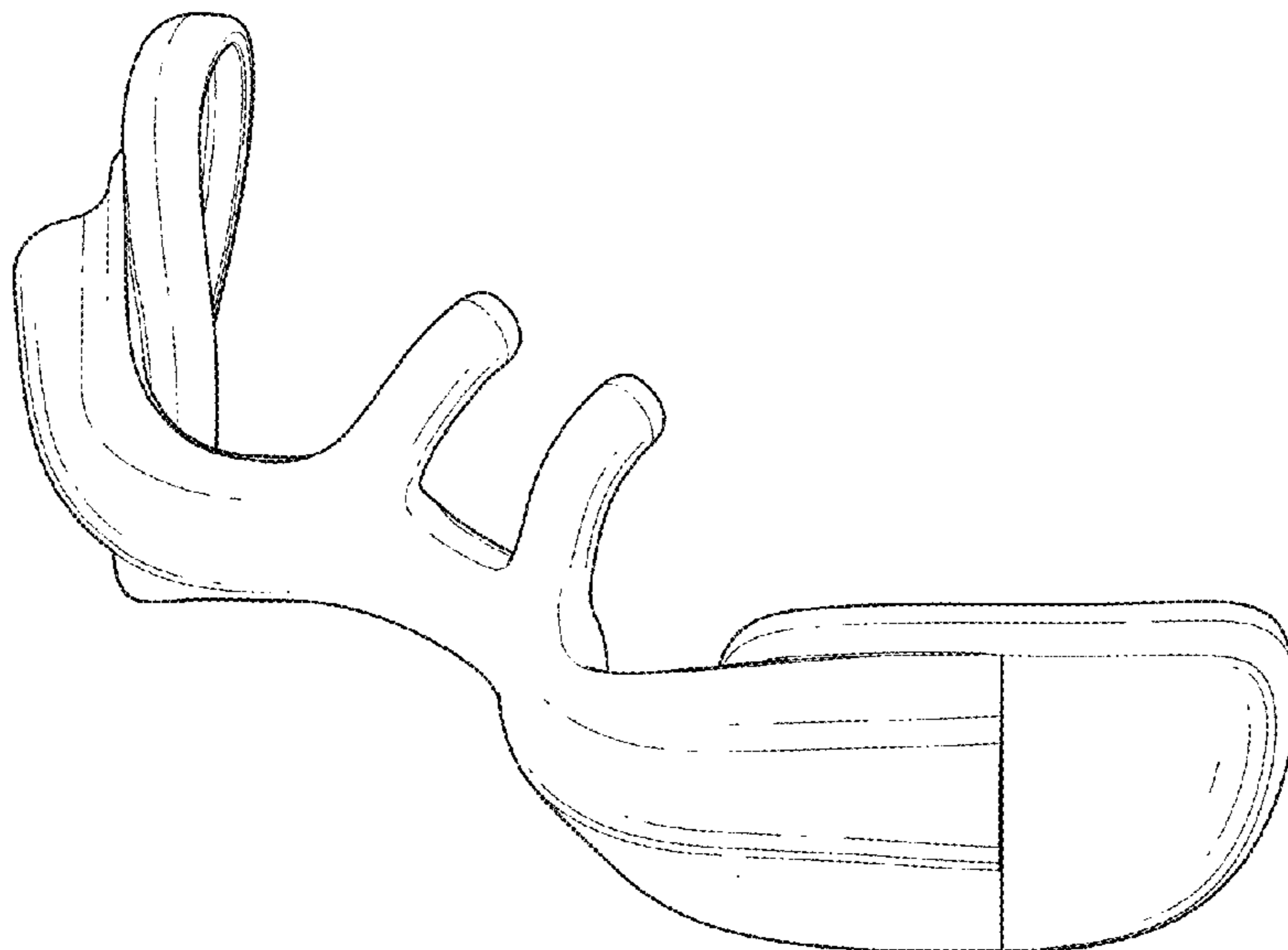
(57) **CLAIM**

The ornamental design for a nasal cannula, as shown and described.

**DESCRIPTION**

FIG. 1 shows a top and front perspective view of the nasal cannula;  
FIG. 2 is a rear perspective view thereof;  
FIG. 3 is a front view thereof;  
FIG. 4 is a rear view thereof;  
FIG. 5 is a top view thereof;  
FIG. 6 is a bottom view thereof;  
FIG. 7 is a first side view thereof; and,  
FIG. 8 is a second side view thereof.

**1 Claim, 4 Drawing Sheets**



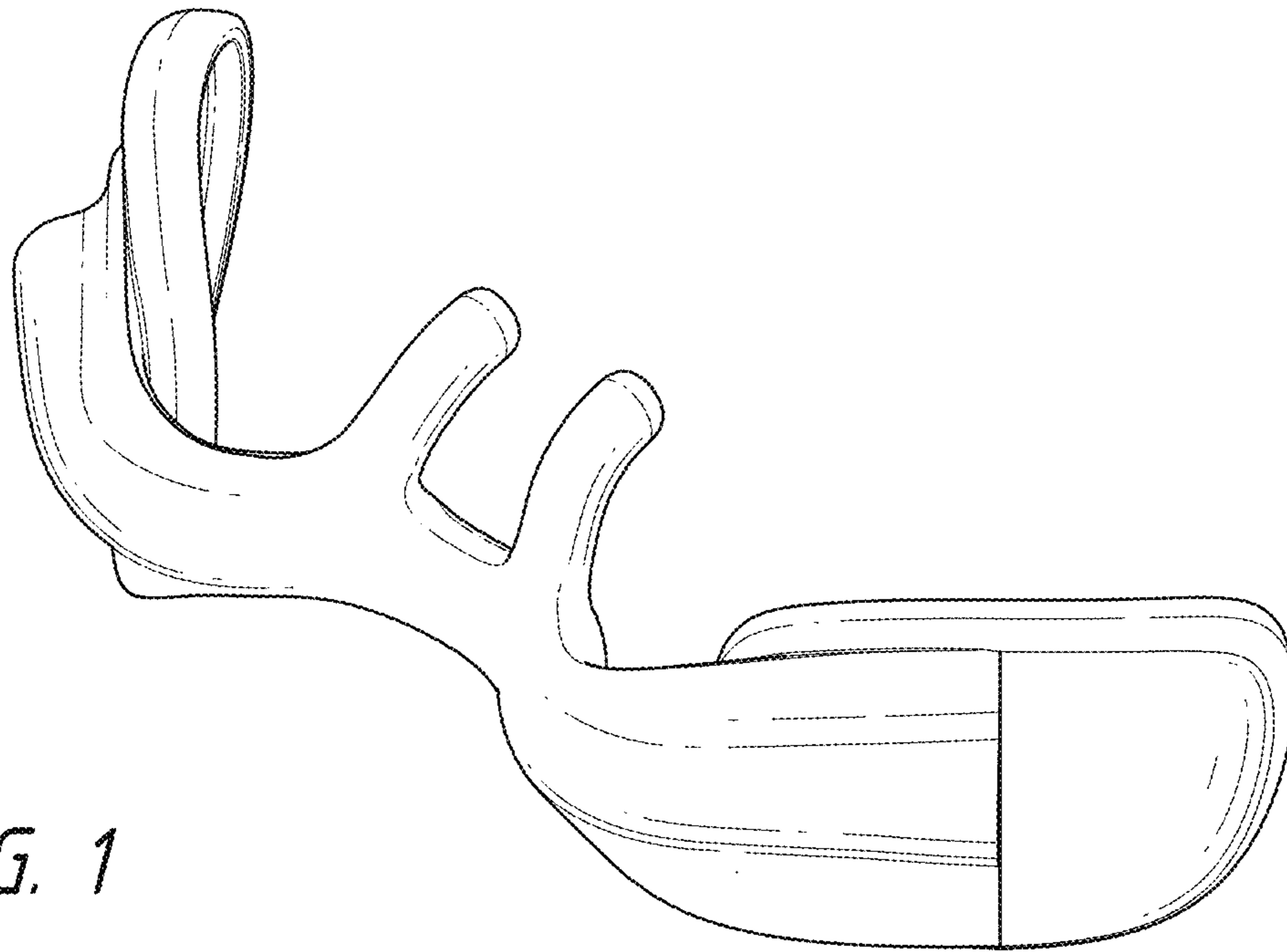


FIG. 1

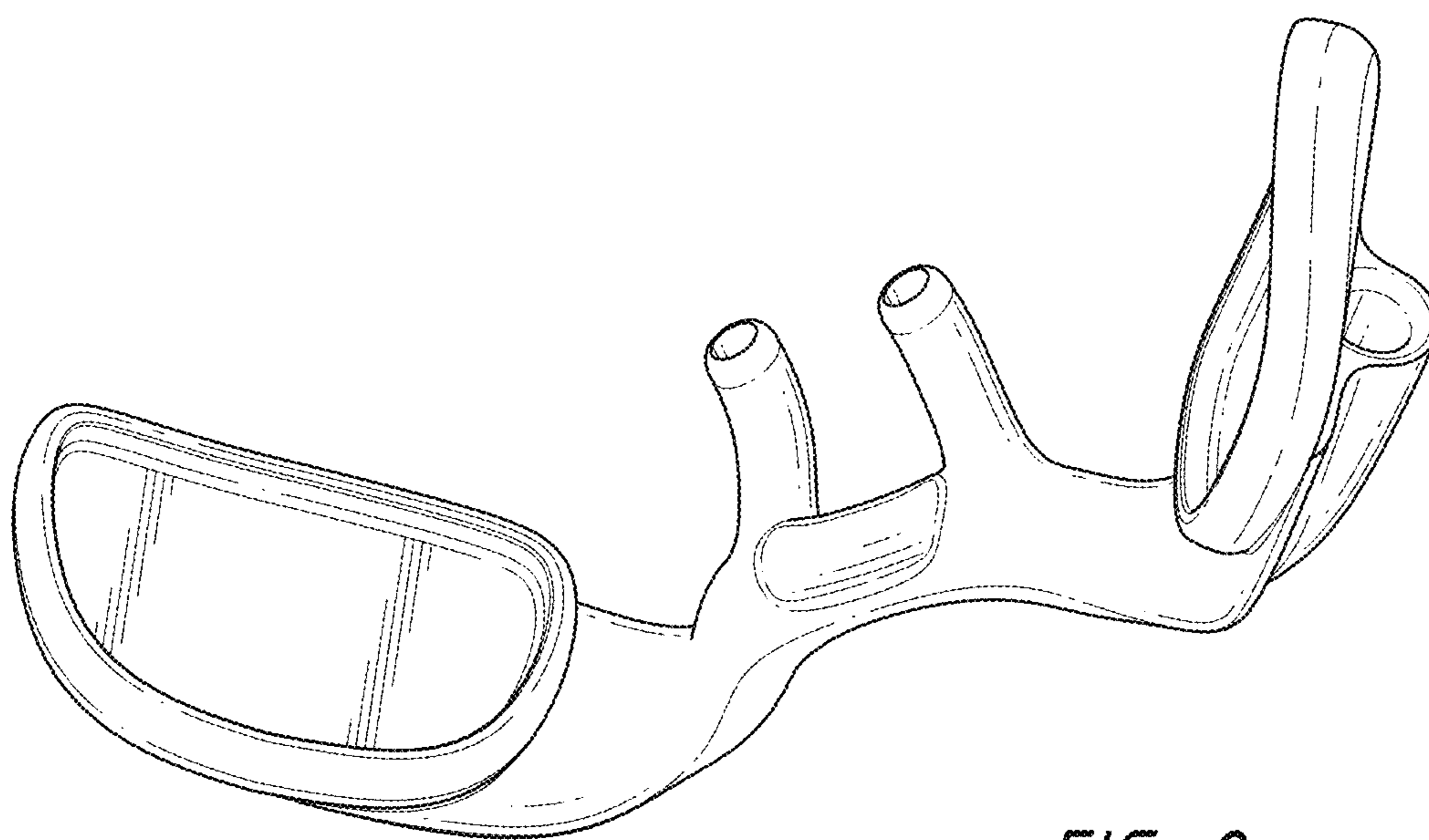
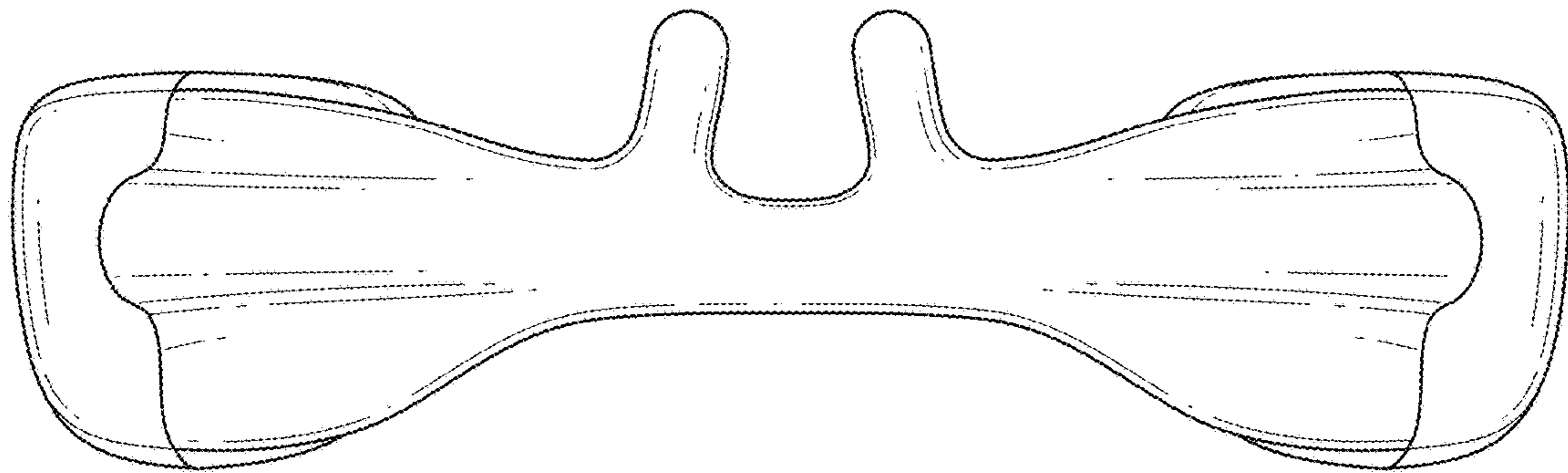
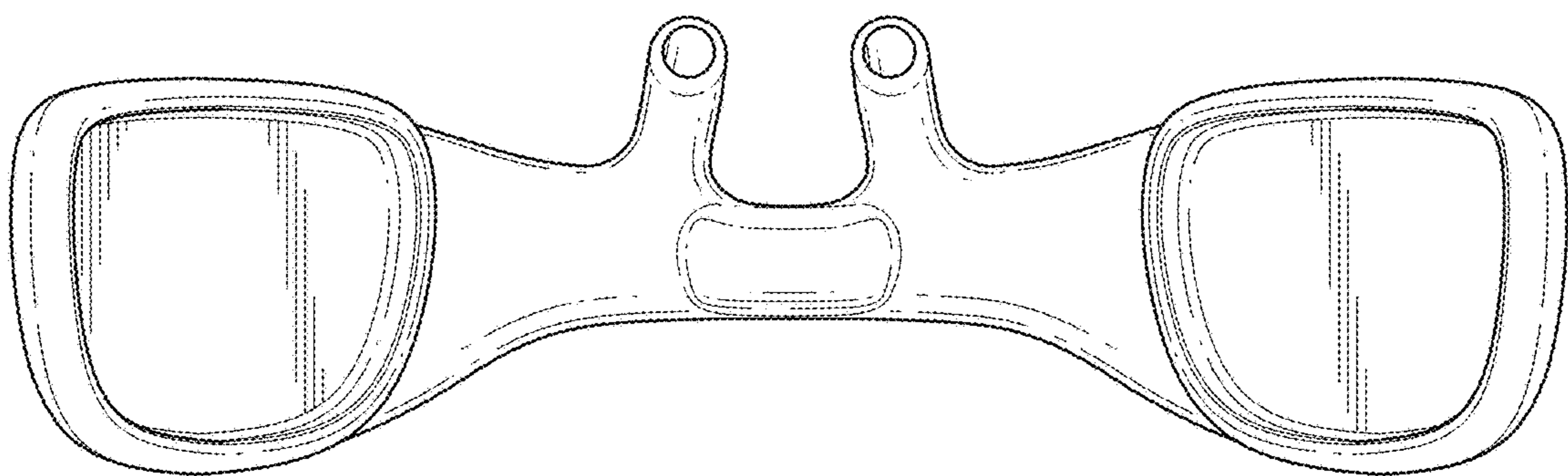


FIG. 2



*FIG. 3*



*FIG. 4*

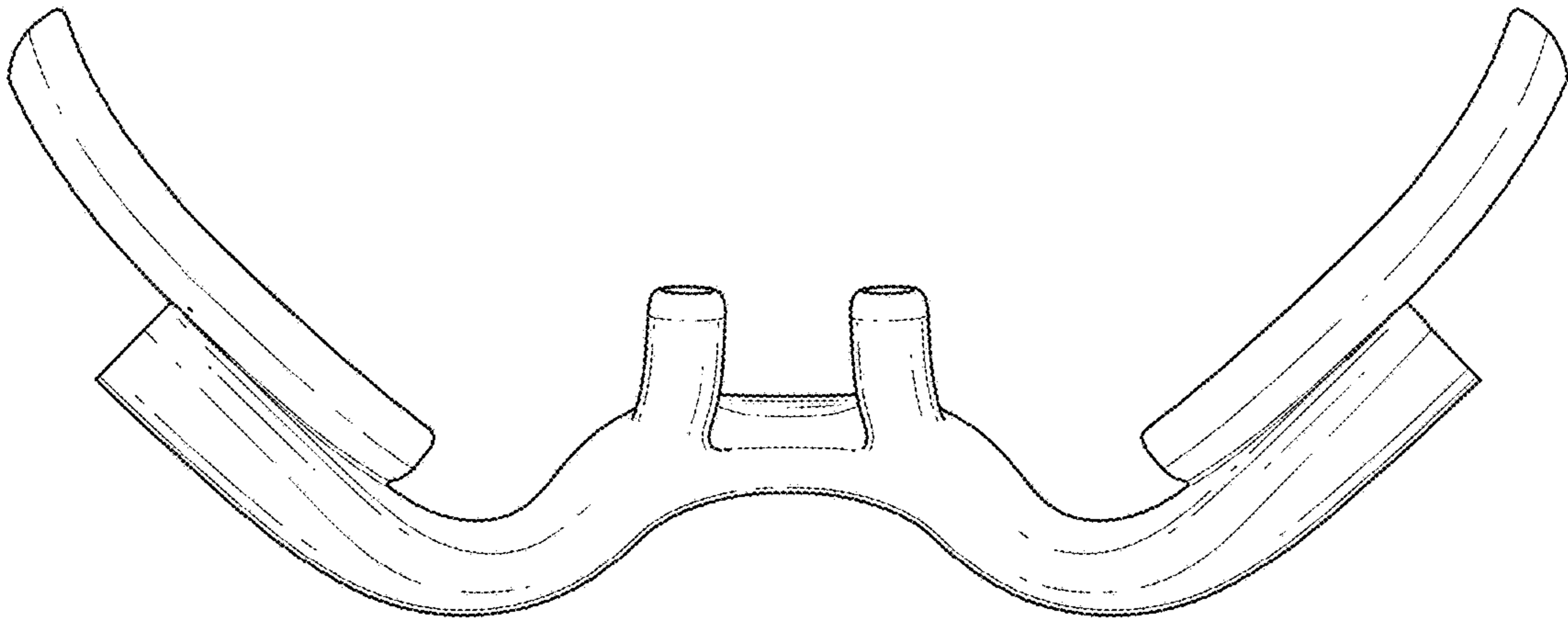


FIG. 5

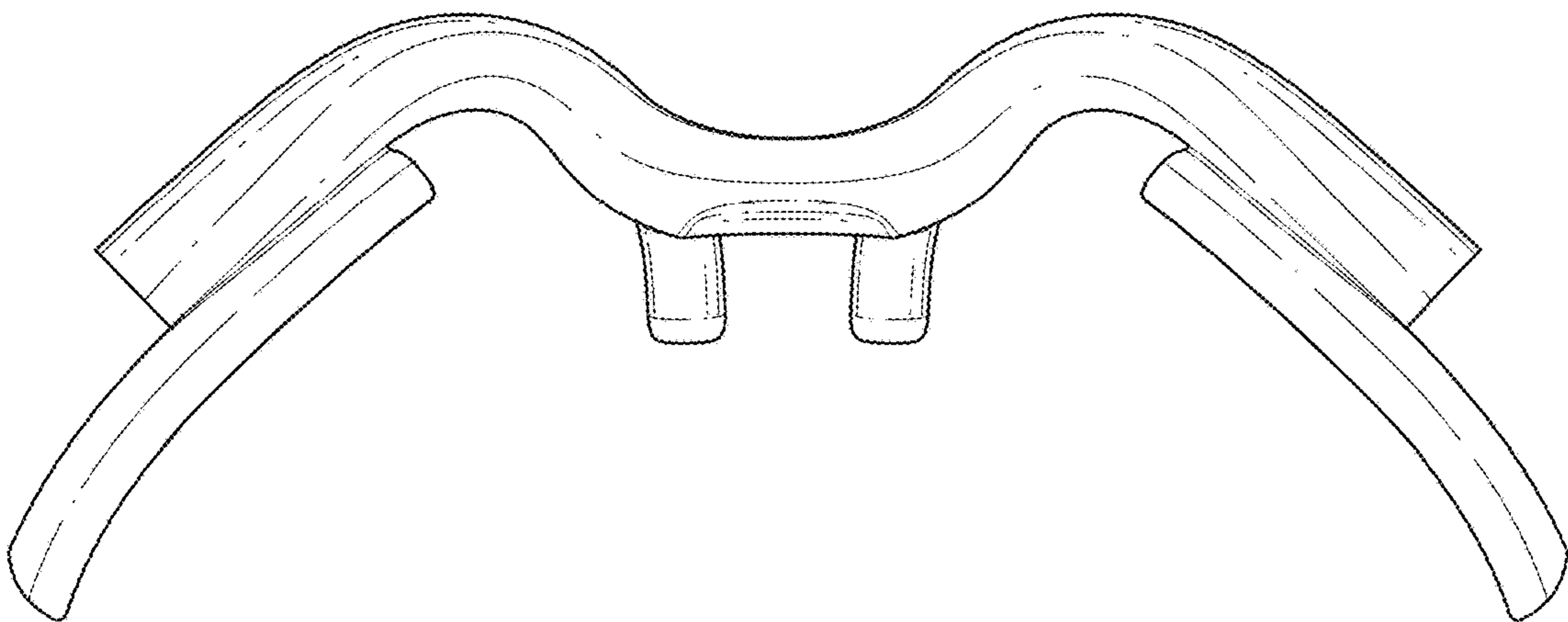
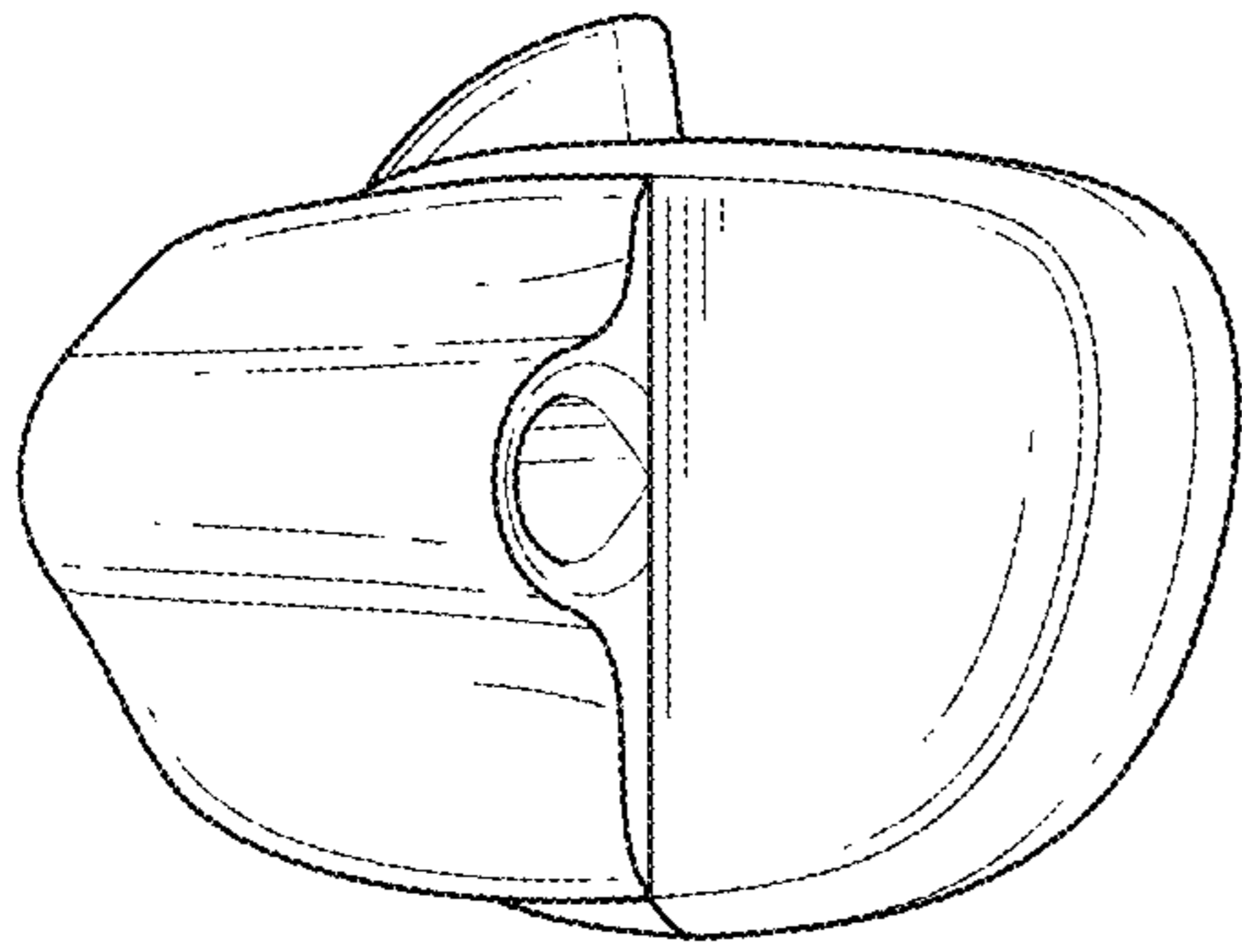
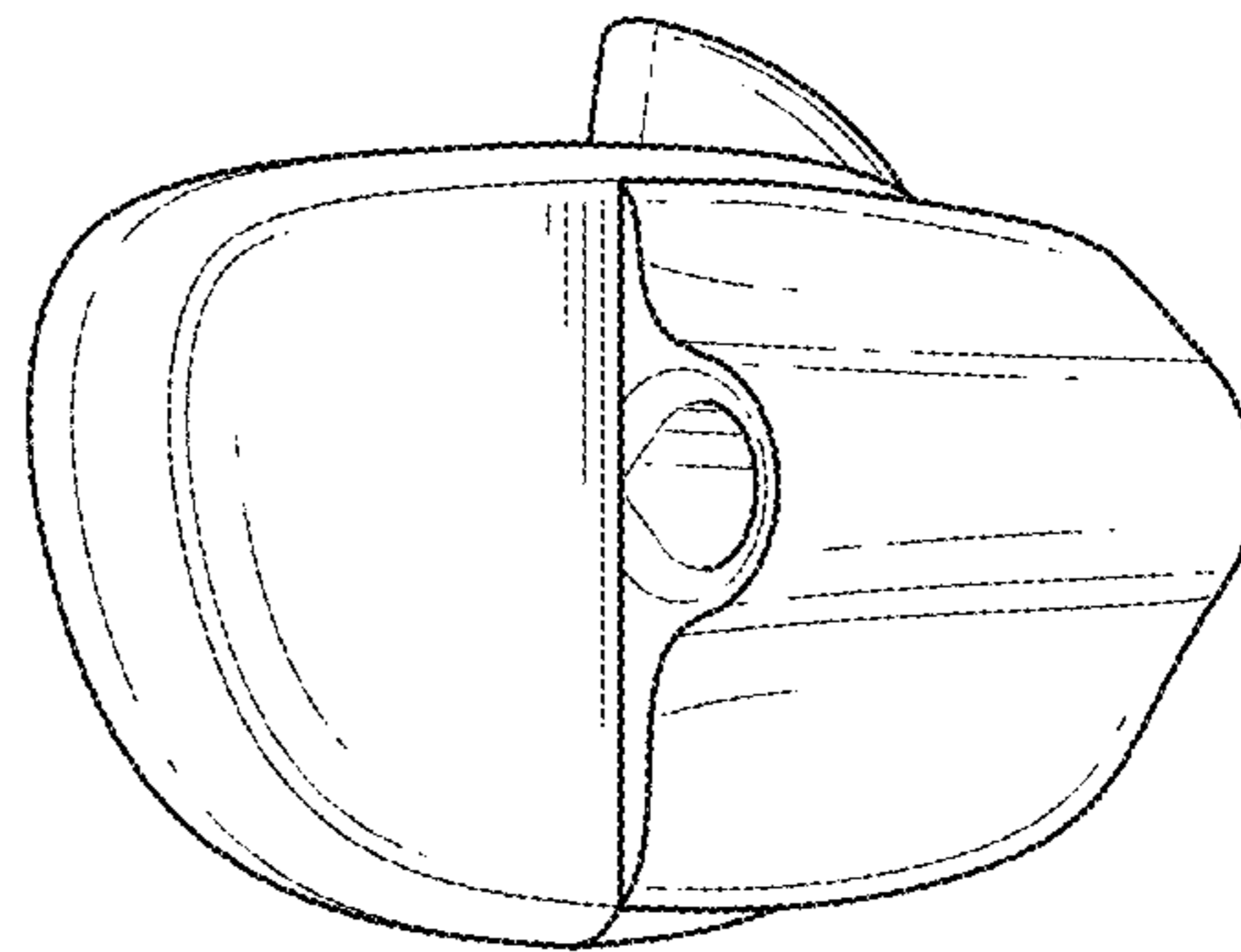


FIG. 6



*FIG. 7*



*FIG. 8*