



US00D825052S

(12) **United States Design Patent**
Guthrie

(10) **Patent No.:** **US D825,052 S**
(45) **Date of Patent:** **** Aug. 7, 2018**

(54) **CEILING FAN MOTOR HOUSING**

(71) Applicant: **HUNTER FAN COMPANY,**
Memphis, TN (US)

(72) Inventor: **Benjamin Scotti Guthrie,**
Germantown, TN (US)

(73) Assignee: **Hunter Fan Company,** Memphis, TN
(US)

(**) Term: **15 Years**

(21) Appl. No.: **29/628,458**

(22) Filed: **Dec. 5, 2017**

Related U.S. Application Data

(62) Division of application No. 29/558,568, filed on Mar. 18, 2016, now Pat. No. Des. 810,915.

(51) **LOC (11) Cl.** **23-03**

(52) **U.S. Cl.**
USPC **D23/411**

(58) **Field of Classification Search**
USPC D23/335-337, 355, 370-385, 411-414;
D26/59, 67, 72, 80-89, 92, 104-105, 110,
D26/113, 118-119, 128-137;
D9/500-505
CPC F04D 25/088; F21V 33/0096; F21V 21/03;
F21V 17/002; F21V 23/007; F21V 23/04;
F21V 23/0485; F21V 15/01; F21V
19/006; F21V 19/04; F21V 21/02; F21V
23/002; F21V 23/005; F21V 33/0052;
F21V 7/22
See application file for complete search history.

(56) **References Cited**

U.S. PATENT DOCUMENTS

1,397,453 A * 11/1921 Rekar A61N 5/06
248/124.2
D84,909 S * 8/1931 Winkler D26/72
D84,930 S * 8/1931 Glatthar D26/86
D94,780 S * 3/1935 Strahmann D26/101

D100,981 S * 8/1936 Biller D26/129
3,040,993 A * 6/1962 Schultz F21V 13/00
362/269
3,725,714 A * 4/1973 Anderson H01J 61/86
313/110
D234,221 S * 1/1975 Upchurch D11/144
4,073,598 A * 2/1978 Mizutani F04D 25/0613
416/170 R
D277,511 S * 2/1985 Patel D26/63
4,592,702 A * 6/1986 Bogage F04D 25/088
310/89
D314,618 S * 2/1991 Yen D23/377
(Continued)

OTHER PUBLICATIONS

Hunter 59054 Eurus Ceiling Fan, date first available Mar. 13, 2012, site visited Apr. 9, 2018, Copyright @ 1996-2018, <https://www.amazon.com/Hunter-59054-Ceiling-54-Inch-Brushed/dp/B00E9SRIF4/ref=sr_1_1_sspa?ie=UTF8&qid=1523289631&sr=8-1-spons&keywords=hunter+eurus&psc=1&smid=A126OUKFTYQCQI>.*

(Continued)

Primary Examiner — Cathron C Brooks
Assistant Examiner — Sharon S Oum
(74) *Attorney, Agent, or Firm* — McGarry Bair PC

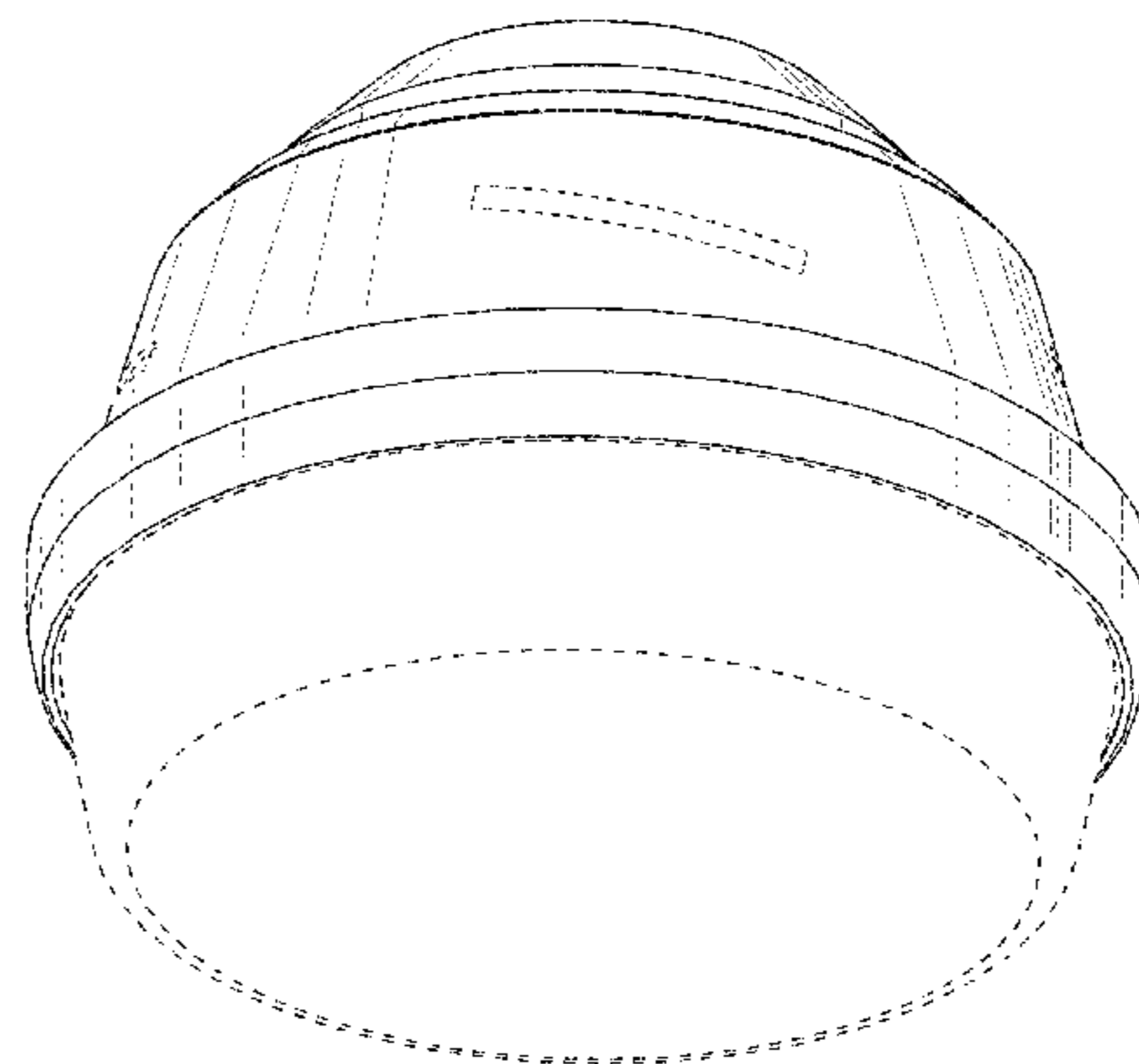
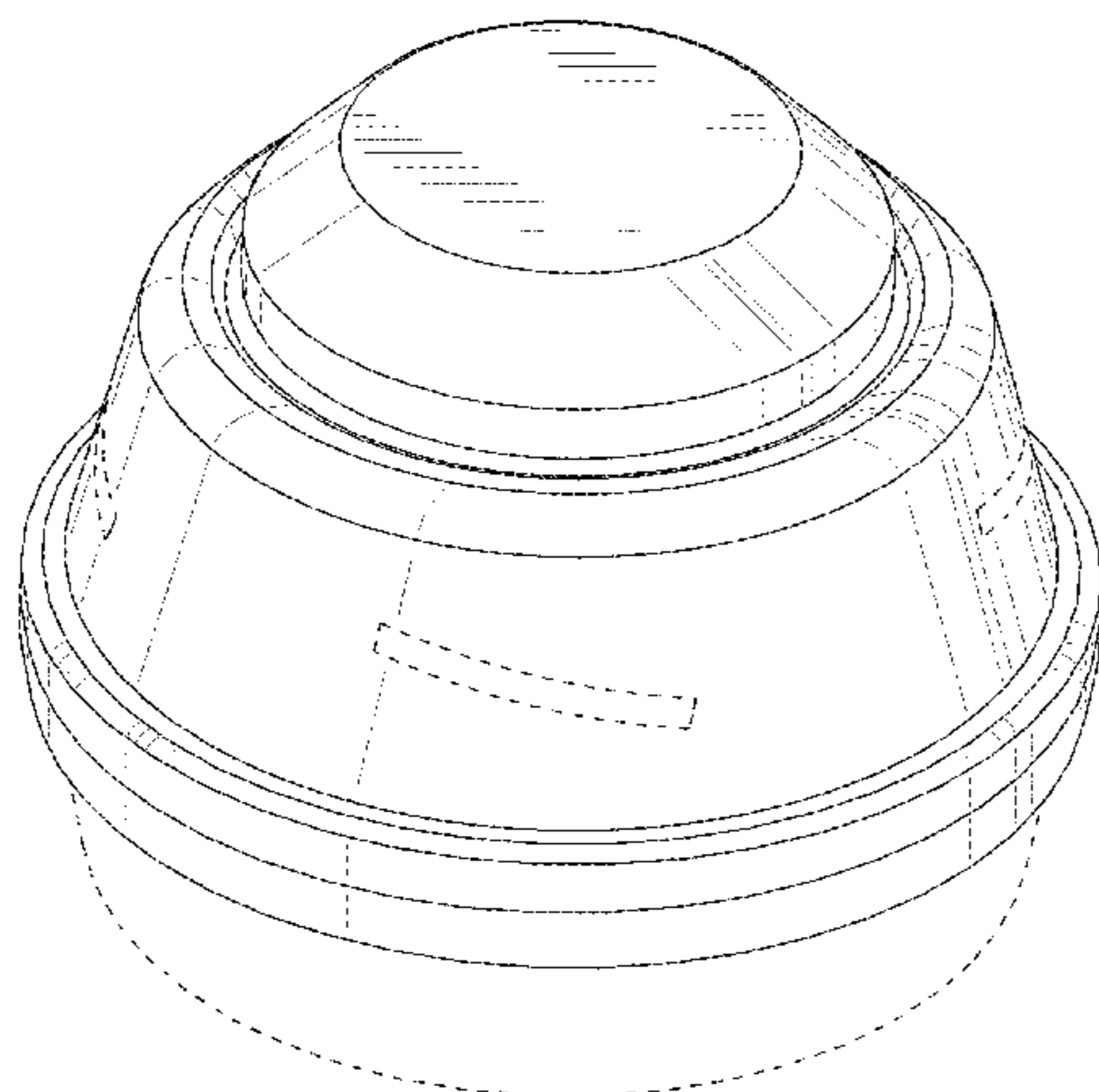
(57) **CLAIM**

The ornamental design for a ceiling fan motor housing, as shown and described.

DESCRIPTION

FIG. 1 is a top perspective view of a ceiling fan motor housing showing my new design;
FIG. 2 is a bottom perspective view thereof;
FIG. 3 is a top view thereof;
FIG. 4 is a bottom view thereof; and,
FIG. 5 is a front side view thereof, with rear, left and right side views being mirror images thereof.
The broken lines illustrate portions of the ceiling fan motor housing and form no part of the claimed design.

1 Claim, 5 Drawing Sheets



(56)

References Cited

U.S. PATENT DOCUMENTS

5,251,116	A *	10/1993	Wijbenga	F21V 7/0016 362/293
D341,419	S	11/1993	Taylor, III	
D344,130	S	2/1994	Craig	
D346,858	S *	5/1994	Lee	D23/377
D350,622	S *	9/1994	Gruber	D26/88
D353,904	S *	12/1994	Swanson	D26/102
5,649,761	A *	7/1997	Sandell	F21V 17/02 362/276
D393,902	S	4/1998	Pickett	
D397,419	S	8/1998	Tsuji et al.	
D399,555	S	10/1998	Jack et al.	
D421,113	S *	2/2000	Zuege	D23/377
D448,841	S *	10/2001	Campbell	D23/411
D453,216	S *	1/2002	Gajewski	D23/377
D483,847	S *	12/2003	Tai	D23/377
D488,554	S *	4/2004	Bacon	D23/411
D499,541	S	12/2004	Dolan	
D517,676	S	3/2006	Young	
7,210,910	B1 *	5/2007	Parker	F04D 25/088 416/223 R
D564,120	S *	3/2008	Layne	D26/63
D583,040	S	12/2008	Hidalgo	
7,484,863	B1 *	2/2009	Aubrey	F21V 13/04 362/294
D599,473	S	9/2009	Klausing et al.	
D599,474	S	9/2009	Klausing et al.	
D601,240	S	9/2009	Klausing et al.	
7,699,487	B2 *	4/2010	Schafer	F21S 6/006 362/122
D621,024	S	8/2010	Orozco	
D627,456	S *	11/2010	Glasbrenner	D23/411
D627,873	S *	11/2010	Pan	D23/411
D627,874	S *	11/2010	Pan	D23/411
D628,687	S	12/2010	Yao	
D628,688	S *	12/2010	Pan	D23/377
D632,381	S *	2/2011	Davenport	D23/377
D705,970	S *	5/2014	Ertze	D26/59
D707,336	S *	6/2014	Pan	D23/377
D743,528	S *	11/2015	Wang	D23/411
D751,187	S *	3/2016	Dolan	D23/377
D759,799	S *	6/2016	Wang	D23/385
D795,410	S *	8/2017	Holmes	D23/377
D796,024	S *	8/2017	Holmes	D23/377
D801,510	S *	10/2017	O'Connell	D23/377
D804,010	S *	11/2017	Guthrie	D23/377
D804,629	S *	12/2017	McRoberts	D23/377
D804,630	S *	12/2017	Holmes	D23/377
D804,635	S *	12/2017	Holmes	D23/377
D804,639	S *	12/2017	Guthrie	D23/377
D805,174	S *	12/2017	Guthrie	D23/377
D806,852	S *	1/2018	Holmes	D23/377
D810,915	S *	2/2018	Guthrie	D23/377
2015/0078906	A1 *	3/2015	Wang	F04D 25/088 416/219 R

OTHER PUBLICATIONS

http://www.build.com/kichler-300173/s918767?uid=2304882&gclid=CK-_otS3yysCFQUIaQodmzgBhg&source=gg-gba-pla_2304882_74817876919&s_kwcid=AL!4215!3!74817876919!!!g!131951028559!, Item Specification for The Kichler Starkk Model No. 300173SBK Satin Black Starkk 52" Indoor Ceiling Fan with 5 Blades—Includes Light Kit and 41/2" Downrod, accessed Mar. 18, 2016.

<http://www.kingoffans.com/#/products/ceilingFans>, Item Specification for The King of Fans Windward Model No. 51565, accessed Mar. 18, 2016.

<http://www.craftmade.com/Craftmade-HE52SS5-Stainless-Steel-Ceiling-Fan.HTM>, Item Specification for The Craftmade Helios Product No. HE52SS5 Collection: Helios, accessed Mar. 18, 2016.

<http://www.fanimation.com/products/index.php/xeno.html>, Item

Specification for The Fanimation Xeno Model No. FP6728, accessed Mar. 18, 2016.

<http://www.kingoffans.com/#/products/ceilingFans>, Item Specification for The King of Fans Corrado Model No. 51543 accessed Mar. 18, 2016.

<http://www.craftmade.com/Craftmade-MN44SS4-Stainless-Steel-Ceiling-Fan.HTM>, Item Specification for The Craftmade Montreal Product No. MN44SS4 Collection: Montreal Finish: Stainless Steel Finish, accessed Mar. 18, 2016.

<http://ceilingfans.emerson.com/shop/en/fan/fans-s-emerson-fans/fans-s-contemporary/luxe-eco-fan-p-cf550>, Item Specification for The Emerson Luxe Eco Model No. CF550DMORB, accessed Mar. 18, 2016.

<http://www.hunterfan.com/Ceiling-Fans/Windemere?ModelNumber=59039>, Item Specification for The Hunter Fan Windemere 54" Ceiling Fan Model No. 59039 Brushed Nickel Finish, accessed Mar. 18, 2016.

<http://www.hunterfan.com/Ceiling-Fans?PageNumber=14>, Item Specification for The Hunter Fan Eurus 54" Ceiling Fan Model No. 59054 Brushed Nickel Finish 3 Coffee Beech Veneer blades included, accessed Mar. 18, 2016.

<http://www.hunterfan.com/ceiling-fans/arvada>, Item Specification for The Hunter Fan Arvada 52" Ceiling Fan Model No. 59035 Brushed Nickel Finish 4 Chocolate blades included, accessed Mar. 18, 2016.

<http://www.hunterfan.com/Ceiling-Fans/Morelli?ModelNumber=59141>, Item Specification for The Hunter Fan Morelli 52" Ceiling Fan Model No. 59141 Brushed Nickel Finish 3 Dark Oak Composite blades included, accessed Mar. 18, 2016.

<http://www.homedepot.com/p/Hampton-Bay-Northport-52-in-Brushed-Nickel-Ceiling-Fan-14926/202790687>, Item Specification for The Hampton Bay Northport Model # 14926 Internet # 202790687 Northport 52 in. Brushed Nickel ceiling Fan, accessed Mar. 18, 2016.

<http://www.kingoffans.com/#/products/ceilingFans>, Item Specification for The King of Fans Argenta Model No. 61615, accessed Mar. 18, 2016.

<http://www.amazon.com/Kichler-Lighting-310110MDW-Mediterranean-Integrated/dp/B00HHERZ3W>, Item Specification for The Kichler Porters Lake Fan Model No. 310110MDW Porters Lake 54-Inch Wet Location Ceiling Fan, Mediterranean Walnut, Finish with ABS Blades and Integrated Downlight, accessed Mar. 18, 2016.

<http://www.quoruminternational.com/index.cfm/app/productDetail?product=20543-965>, Item Specification for The Quorum Interational Model No. 20543-965, accessed Mar. 18, 2016.

<http://www.homedepot.com/p/GE-Treviso-52-in-Oil-Rubbed-Bronze-Indoor-LED-Ceiling-Fan-20321/206087472>, Item Specification for The GE Treviso Model # 20321 Internet # 206087472 Store SKU # 1001417222 Treviso 52 in. Oil subbed Bronze Indoor LED Ceiling Fan, accessed Mar. 18, 2016.

<http://www.kingoffans.com/#/products/ceilingFans>, Item Specification for The King of Fans Riverwalk Model No. 43247, accessed Mar. 18, 2016.

http://ceilingfans.emerson.com/shop/en/fan/highrise-fan-p-cf430?cm_vc=&testElementId=&experimentId, Item Specification for The Emerson Highrise Model No. CF430ORB, accessed Mar. 18, 2016.

<http://www.kichler.com/products/product/climates-blade-set--371010.aspx>, Item Specification for The Kichler Climates Blade Model No. 371010, accessed Mar. 18, 2016.

<http://www.kichler.com/products/product/52-inch-vassar-ceiling-fan-ni-300175ni.aspx>, Item Specification for The Kichler Vassar Ceiling Fan 52 Inch Vassar Ceiling Fan NI Model No. 300175NI (Brushed Nickel), accessed Mar. 18, 2016.

http://www.homeclick.com/minka-aire-f695-kafe-52-indoor-ceiling-fan-blades-included/p-6422342.aspx?adpos=1t4&creative=94627198025&device=c&matchtype=b&network=g&gclid=CO2Xh_bkyssCFQepaQodUnMF9g, Item Specification for The Minka Aire Kafe F695-CC, accessed Mar. 18, 2016.

<http://www.kingoffans.com/#/products/ceilingFans>, Item Specification for The King of Fans Gazelle Model No. 51552, accessed Mar. 18, 2016.

(56)

References Cited

OTHER PUBLICATIONS

http://www.lowes.com/pd_652192-2120-35063_1z0vgaxZ1z140v4_?productId=502919238,pl=1, Item Specification for The Harbor Breeze Melamby 48-in Oil Rubbed Bronze Downrod Mount Indoor Ceiling Fan with Light Kit Item #: 652192 Model #: 35063, accessed Mar. 18, 2016.

<http://www.casablancafanco.com/Ceiling-Fans/Tribeca?ModelNumber=59498>, Item Specification for The Casablanca Tribeca Model 59498 Aged Steel 3 Grey Washed / River Timber Reversible Veneer Exclusive blades included, accessed Mar. 18, 2016.

<http://www.craftmade.com/Craftmade-ATA52ABZ5-Aged-Bronze-Brushed-Ceiling-Fan.HTM>, Item Specification for The Craftmade Atara Product No. ATA52ABZ5, accessed Mar. 18, 2016.

Canarm LTD Calibre BPT 48 Frosted Glass 1 Bulb Light Kit, date first available Jul. 10, 2009, amazon.com, site visited May 1, 2017, Copyright© 1994-2017, Available from Internet, <https://www.amazon.com/dp/B002EVPNWI/ref=psdc_404433011_t3_B0045CVL6G>.

* cited by examiner

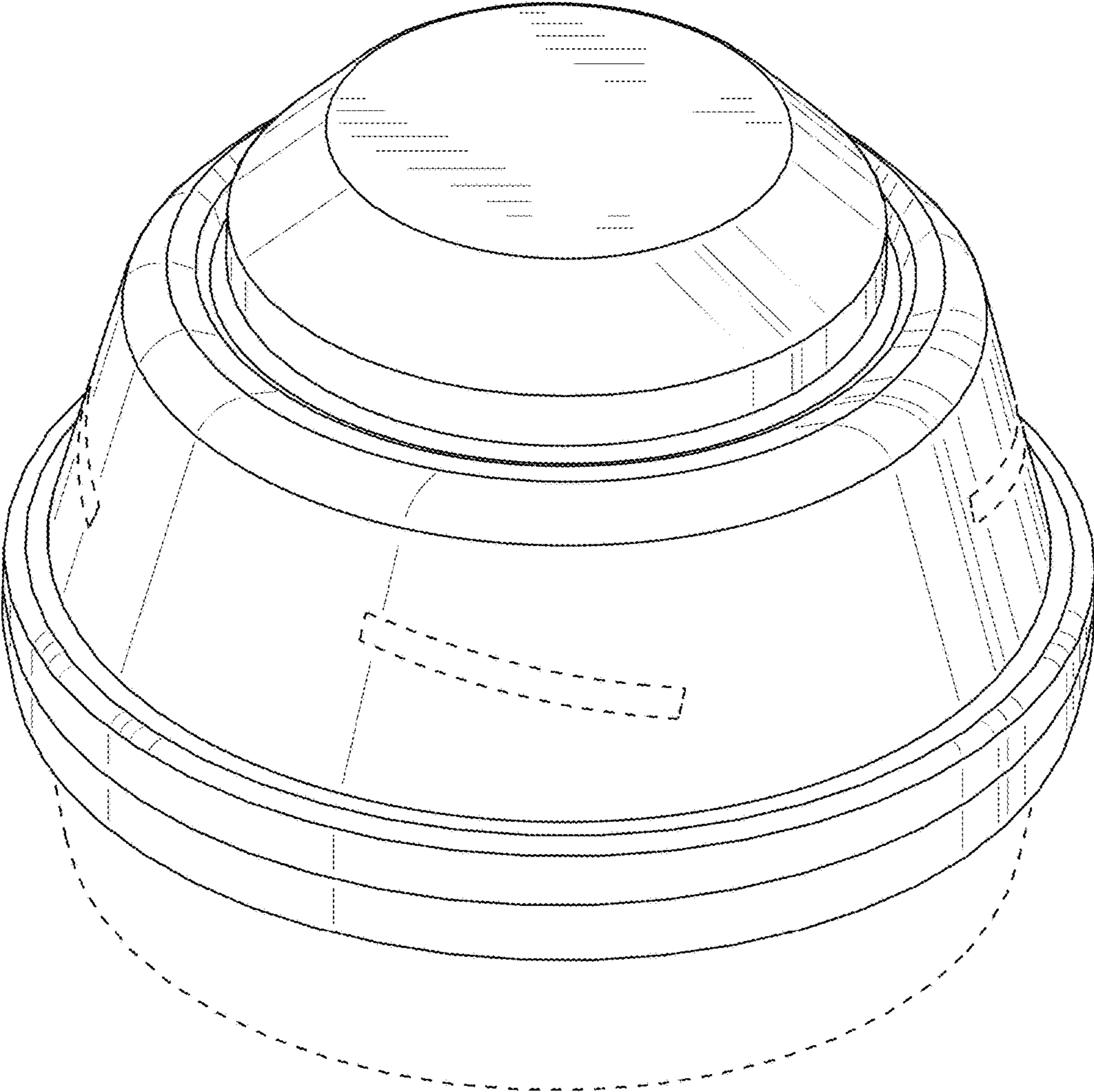


FIG. 1

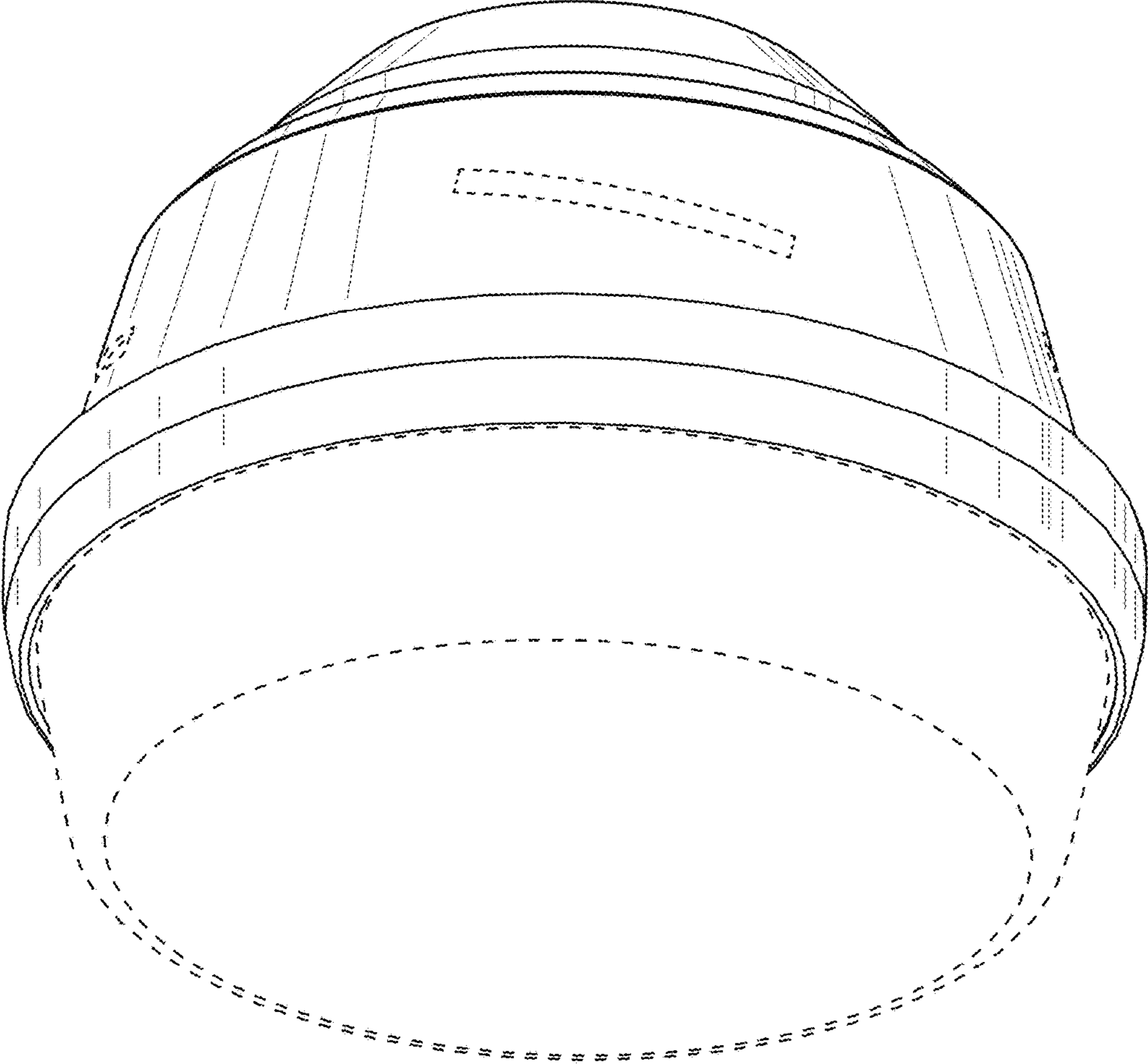


FIG. 2

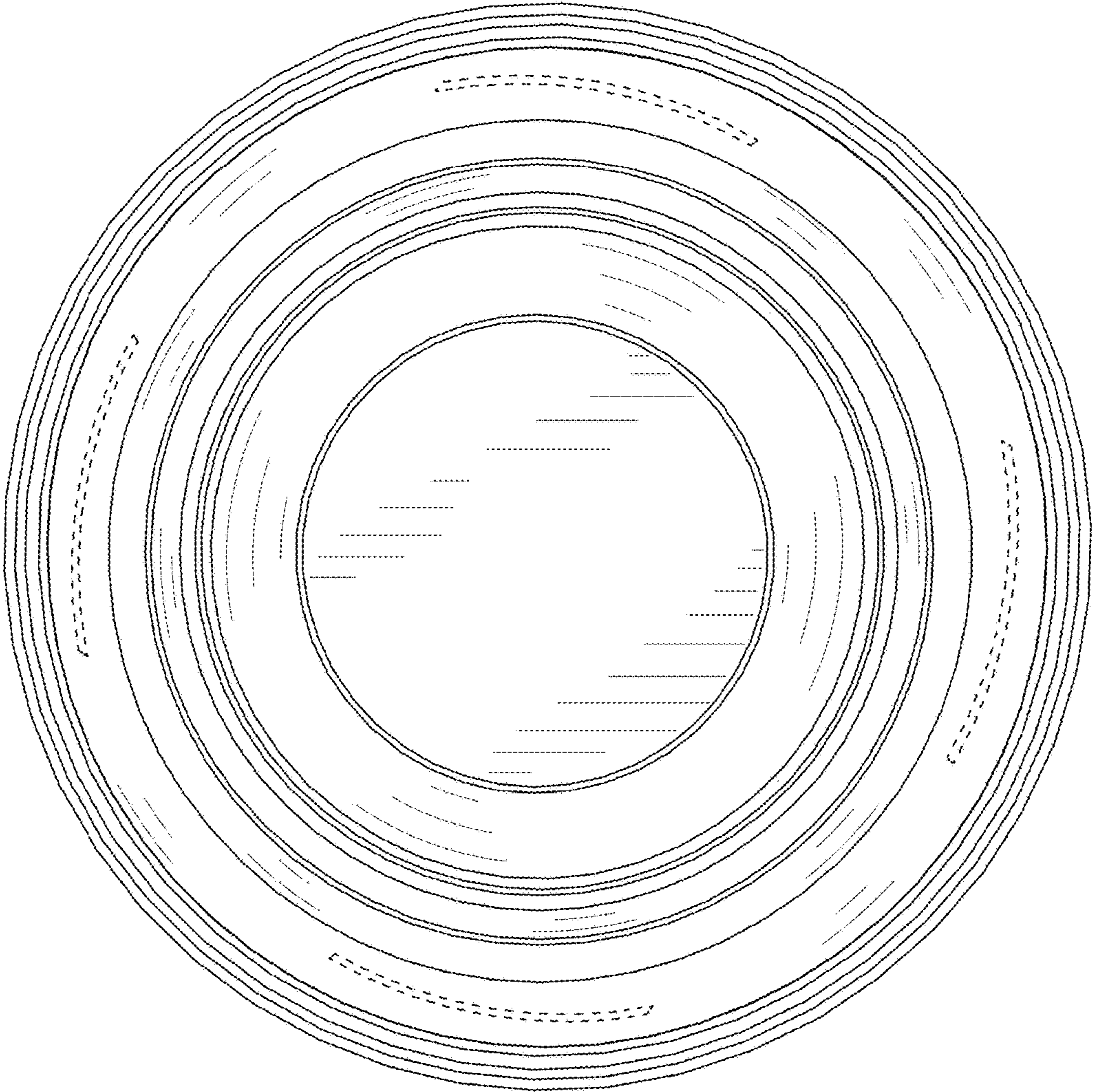


FIG. 3

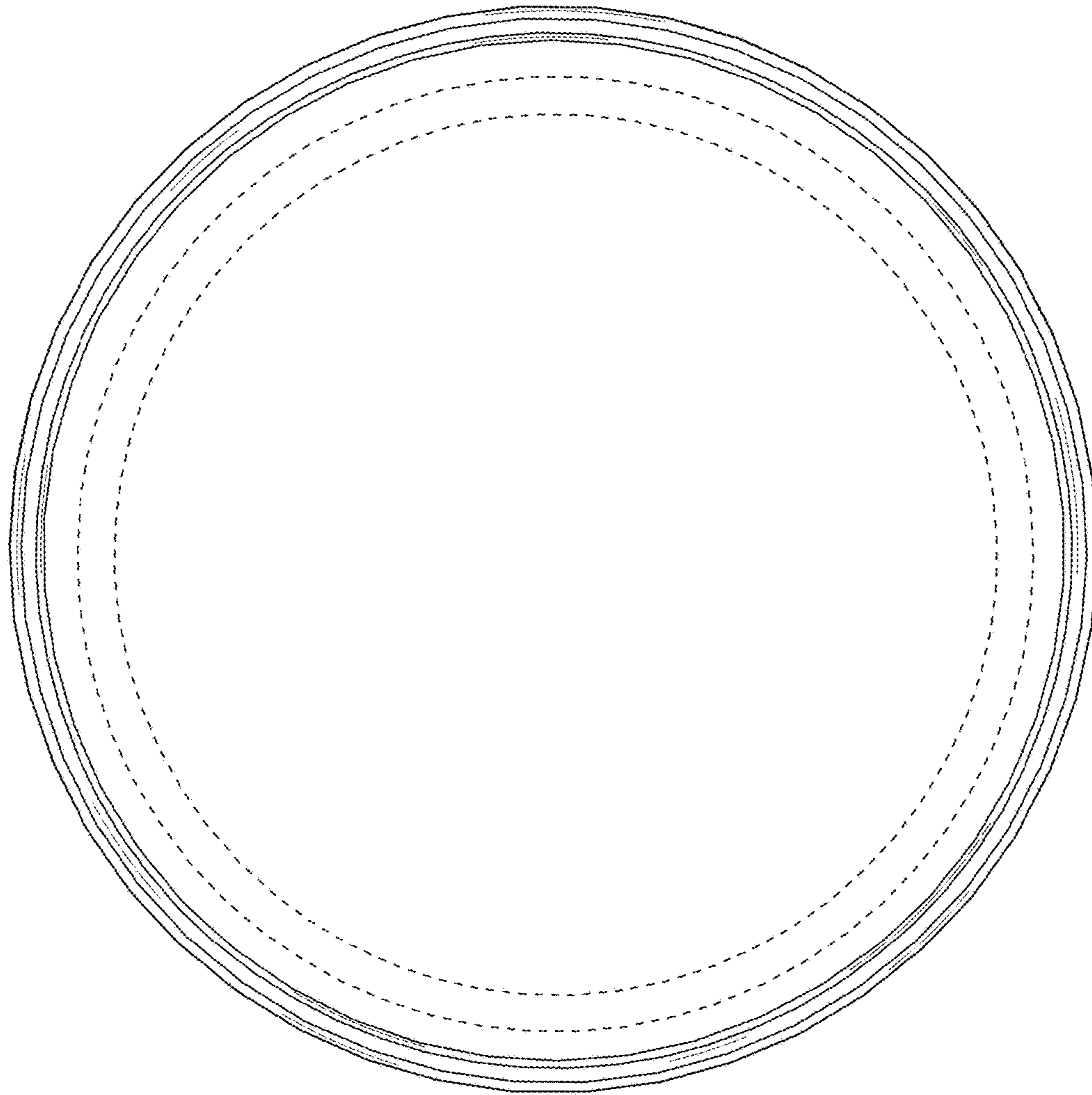


FIG. 4

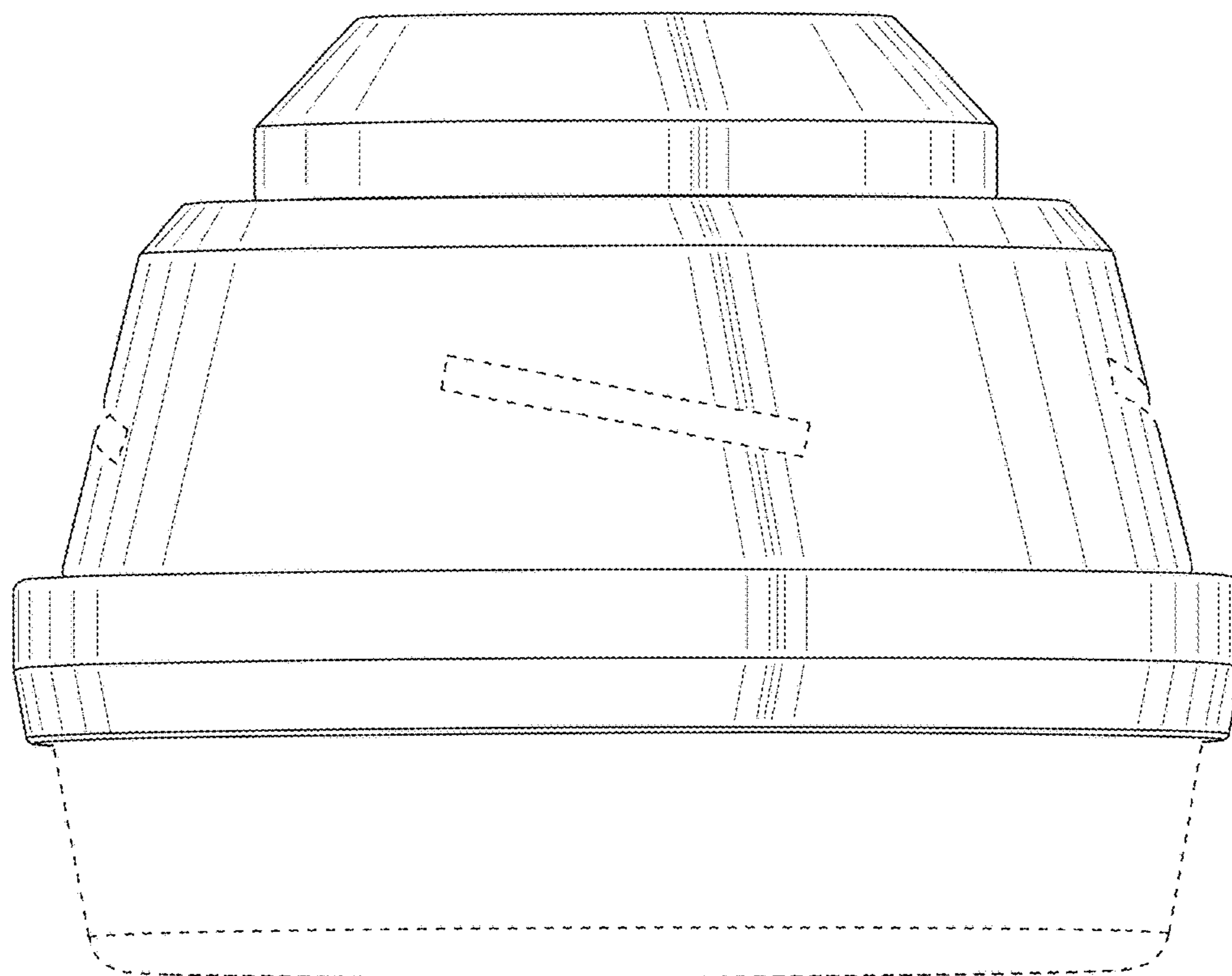


FIG. 5