



US00D825051S

(12) **United States Design Patent** (10) **Patent No.:** **US D825,051 S**
Guthrie et al. (45) **Date of Patent:** **** Aug. 7, 2018**

(54) **CEILING FAN MOTOR HOUSING**

(71) Applicant: **HUNTER FAN COMPANY**,
Memphis, TN (US)

(72) Inventors: **Benjamin Scotti Guthrie**,
Germantown, TN (US); **Christine
Holmes**, Memphis, TN (US)

(73) Assignee: **Hunter Fan Company**, Memphis, TN
(US)

(**) Term: **15 Years**

(21) Appl. No.: **29/617,980**

(22) Filed: **Sep. 18, 2017**

Related U.S. Application Data

(62) Division of application No. 29/557,306, filed on Mar.
8, 2016, now Pat. No. Des. 804,636.

(51) **LOC (11) Cl.** **23-03**

(52) **U.S. Cl.**
USPC **D23/411**

(58) **Field of Classification Search**

USPC D23/335-337, 355, 370-385, 411-414;
D26/59, 67, 72, 80-89, 92, 104-105, 110,
D26/113, 118-119, 128-137
CPC F04D 25/088; F21V 33/0096; F21V 21/03;
F21V 17/002; F21V 23/007; F21V 23/04;
F21V 23/0485; F21V 15/01; F21V
19/006; F21V 19/04; F21V 21/02; F21V
23/002; F21V 23/005; F21V 33/0052;
F21V 7/22

See application file for complete search history.

(56) **References Cited**

U.S. PATENT DOCUMENTS

D43,079 S * 10/1912 Booth D26/133
D48,082 S * 11/1915 Raymond D26/88
D359,351 S 6/1995 Lee
D364,224 S 11/1995 Wang

D369,428 S * 4/1996 Deron D26/80
D371,215 S * 6/1996 Lin D26/127
D382,954 S 8/1997 Liu
D388,164 S 12/1997 Pickett
D389,237 S 1/1998 Jaspers-Fayer et al.
D407,155 S * 3/1999 Liu D23/377

(Continued)

OTHER PUBLICATIONS

<http://www.hunterfan.com/Ceiling-Fans/Morris-County?ModelNumber=53260>, Item Specification for Morris County-52" Ceiling Fan 53260 at hunterfan.com, accessed Mar. 8, 2016.

(Continued)

Primary Examiner — Cathron C Brooks

Assistant Examiner — Sharon S Oum

(74) *Attorney, Agent, or Firm* — McGarry Bair PC

(57) **CLAIM**

The ornamental design for a ceiling fan motor housing, as shown and described.

DESCRIPTION

FIG. 1 is a top perspective view of a ceiling fan motor housing showing my new design, shown in the environment of a ceiling fan;

FIG. 2 is a bottom perspective view of the ceiling fan motor housing of FIG. 1, but shown without the ceiling fan environment;

FIG. 3 is a top view thereof;

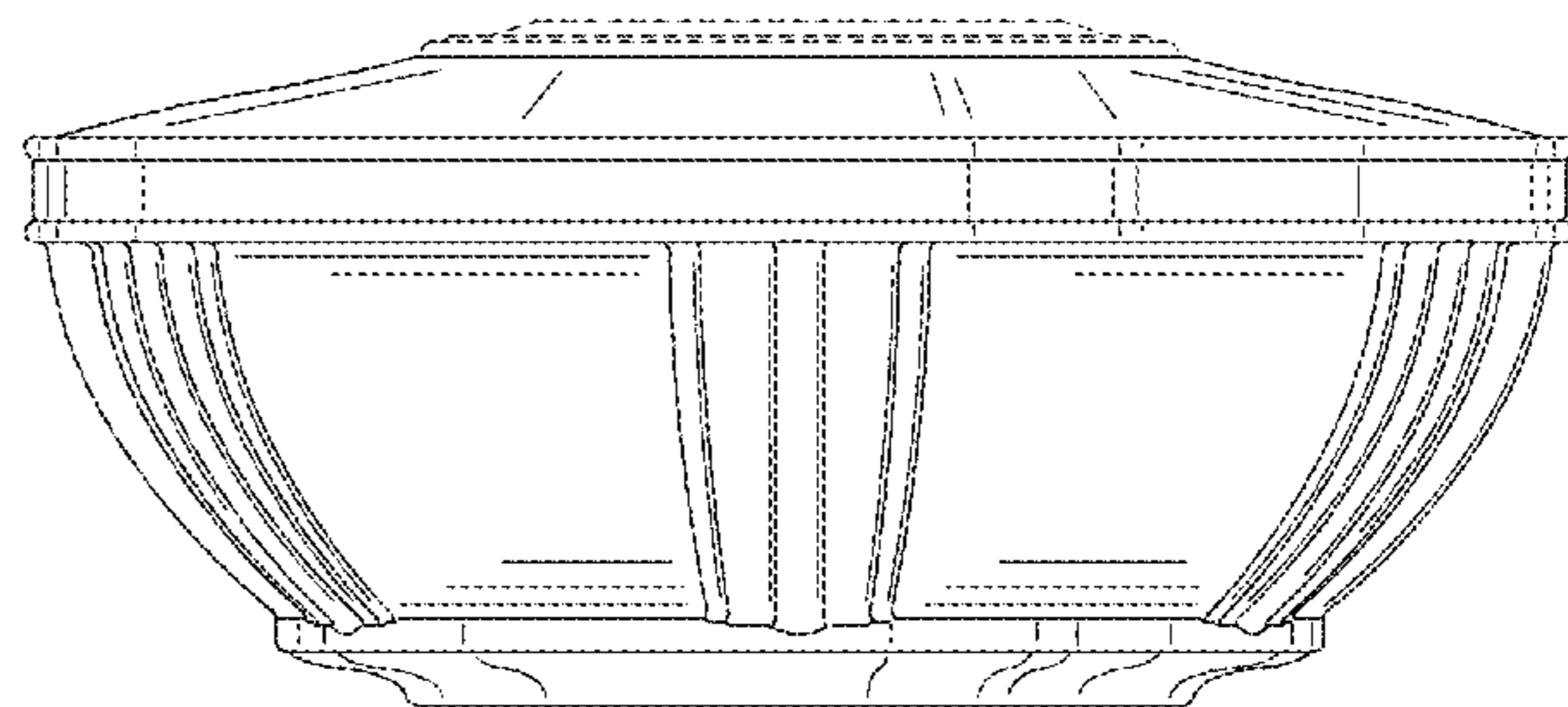
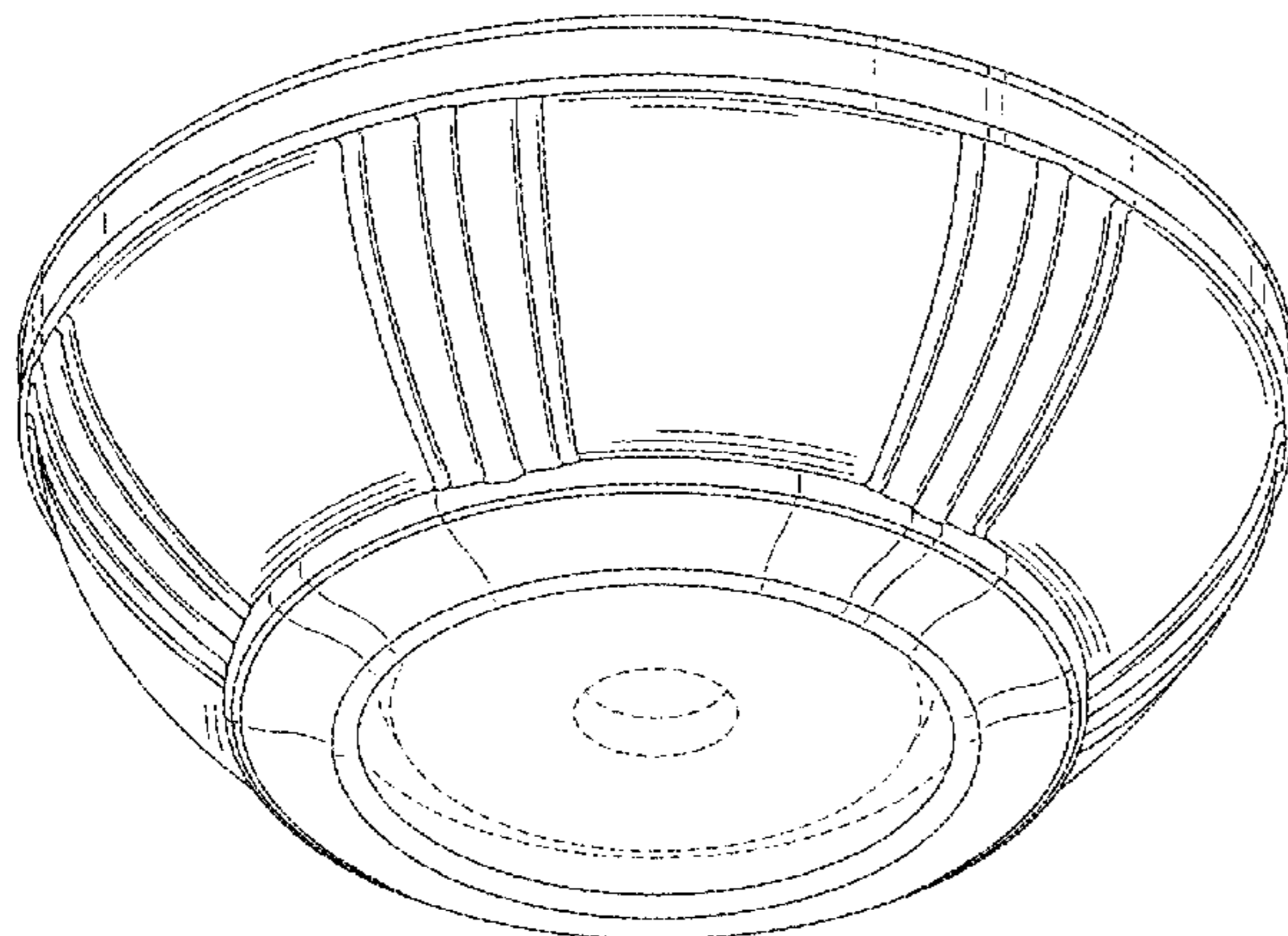
FIG. 4 is a bottom view thereof;

FIG. 5 is a front side view thereof, with the rear side view being a mirror image thereof; and,

FIG. 6 is a right side view thereof, with the left side view being a mirror image thereof.

The broken lines shown in FIG. 1 illustrate environmental structure, and the broken lines in the remaining views illustrate portions of the ceiling fan motor housing. None of the broken lines form part of the claimed design.

1 Claim, 5 Drawing Sheets



(56)

References Cited

U.S. PATENT DOCUMENTS

5,971,573 A 10/1999 Bucher et al.
 D421,799 S * 3/2000 Zuege D23/377
 D424,679 S 5/2000 LaSpina
 D466,642 S * 12/2002 Hsu D26/134
 D483,463 S 12/2003 Tai
 D483,465 S 12/2003 Tai
 D485,344 S 1/2004 Tai
 D492,764 S * 7/2004 Campbell D23/411
 D508,125 S 8/2005 Curtin
 D523,138 S 6/2006 Burns
 D531,297 S 10/2006 Ertze
 D533,654 S 12/2006 Burns
 D533,937 S 12/2006 Pan
 D534,680 S * 1/2007 Miranda D26/135
 D535,386 S 1/2007 Pickett
 D540,937 S 4/2007 Pickett
 D541,408 S 4/2007 Pickett
 D557,793 S 12/2007 Curtin
 D562,967 S 2/2008 Pickett
 D563,034 S * 2/2008 Curtin D26/128
 D566,321 S * 4/2008 Pickett D26/128
 D567,429 S * 4/2008 Pickett D26/128
 D627,456 S 11/2010 Wang
 D632,382 S 2/2011 Pan
 D804,636 S * 12/2017 Guthrie D23/377
 D810,912 S * 2/2018 McRoberts D23/377
 2004/0022636 A1 2/2004 Bilskie
 2014/0268803 A1 9/2014 Keng
 2015/0240824 A1 * 8/2015 Jones F04D 25/0693
 417/423.15
 2016/0111816 A1 * 4/2016 Walker F04D 25/0693
 417/423.7
 2017/0234319 A1 * 8/2017 Seccareccia F04D 25/088
 415/203

OTHER PUBLICATIONS

<http://www.hunterfan.com/Ceiling-Fans/Bowmore?ModelNumber=52222>, Item Specification for Bowmore-52" Ceiling Fan 52222 at hunterfan.com, accessed Mar. 8, 2016.
<http://www.hunterfan.com/Ceiling-Fans/Summerlin?ModelNumber=52223>, Item Specification for Summerlin-

48" Ceiling Fan 52223 at hunterfan.com, accessed Mar. 8, 2016.
http://www.lowes.com/pd_593747-17115-40692_1z0vgaxZ1z140v4_?productId=50354990&pI=1, Item Specification for Harbor Breeze Pawtucket 52-in Oil Rubbed Bronze Flush Mount Indoor Ceiling Fan with Light Kit and Remote at Lowes.com, Item #593747, Model #40692, accessed Mar. 8, 2016.
<http://www.minkagroup.net/products/f659-bcw>, Item Specification for F659-BCW Classica 54" Ceiling Fan at minkagroup.net, accessed Mar. 8, 2016.
<http://kingoffans.com/#/products/ceilingFans>, Item Specification for Sutherland Ceiling Fan at kingoffans.com, SKU #944-467, Model #40702.
<http://ceilingfans.emerson.com/shop/en/fan/fans-s-emerson-fans/fans-s-indoor-outdoor/devonshire-fan-p-cf670>, Item Specification for Devonshire Ceiling Fan CF670ORB at emerson.com, accessed Mar. 8, 2016.
<http://www.kichler.com/products/product/52-graystone-ceiling-fan-bap-300243bap.aspx>, Item Specification for 52" Graystone Ceiling Fan 300243BAP at kichler.com, accessed Mar. 8, 2016.
<http://www.kichler.com/products/product/52-inch-fresno-fan-ap-300177ap.aspx>, Item Specification for 52 Inch Fresno Fan 300177AP at kichler.com, accessed Mar. 8, 2016.
<http://www.homedepot.com/p/Hampton-Bay-Carrolton-52-in-Brushed-Nickel-Ceiling-Fan-YG288A-BN/202530767>, Item Specification for Hampton Bay Carrolton 52 in. Brushed Nickel Ceiling Fan at homedepot.com, Model #YG288A-BN, Internet #202530767, accessed Mar. 8, 2016.
<http://www.quoruminternational.com/index.cfm/app/productDetail?product=38525-92>, Item Specification for Antique Silver Ceiling Fan 38525-92 at quoruminternational.com, accessed Mar. 8, 2016.
<http://www.hunterfan.com/Ceiling-Fans/Princeton?ModelNumber=53269>, Item Specification for Princeton-52" Ceiling Fan 53269 at hunterfan.com, accessed Mar. 8, 2016.
<http://www.homedepot.com/p/Hampton-Bay-Chastain-II-52-in-Oil-Rubbed-Bronze-Ceiling-Fan-YG394-ORB/203786343>, Item Specification for Hampton Bay Chastain II 52 in. Oil Rubbed Bronze Ceiling Fan at homedepot.com, Model #YG394-ORB, Internet #203786343, accessed Mar. 8, 2016.
<http://www.hunterfan.com/Ceiling-Fans/Denali?ModelNumber=53273>, Item Specification for Denali 54" Ceiling Fan 53273 at hunterfan.com, accessed Mar. 8, 2016.

* cited by examiner

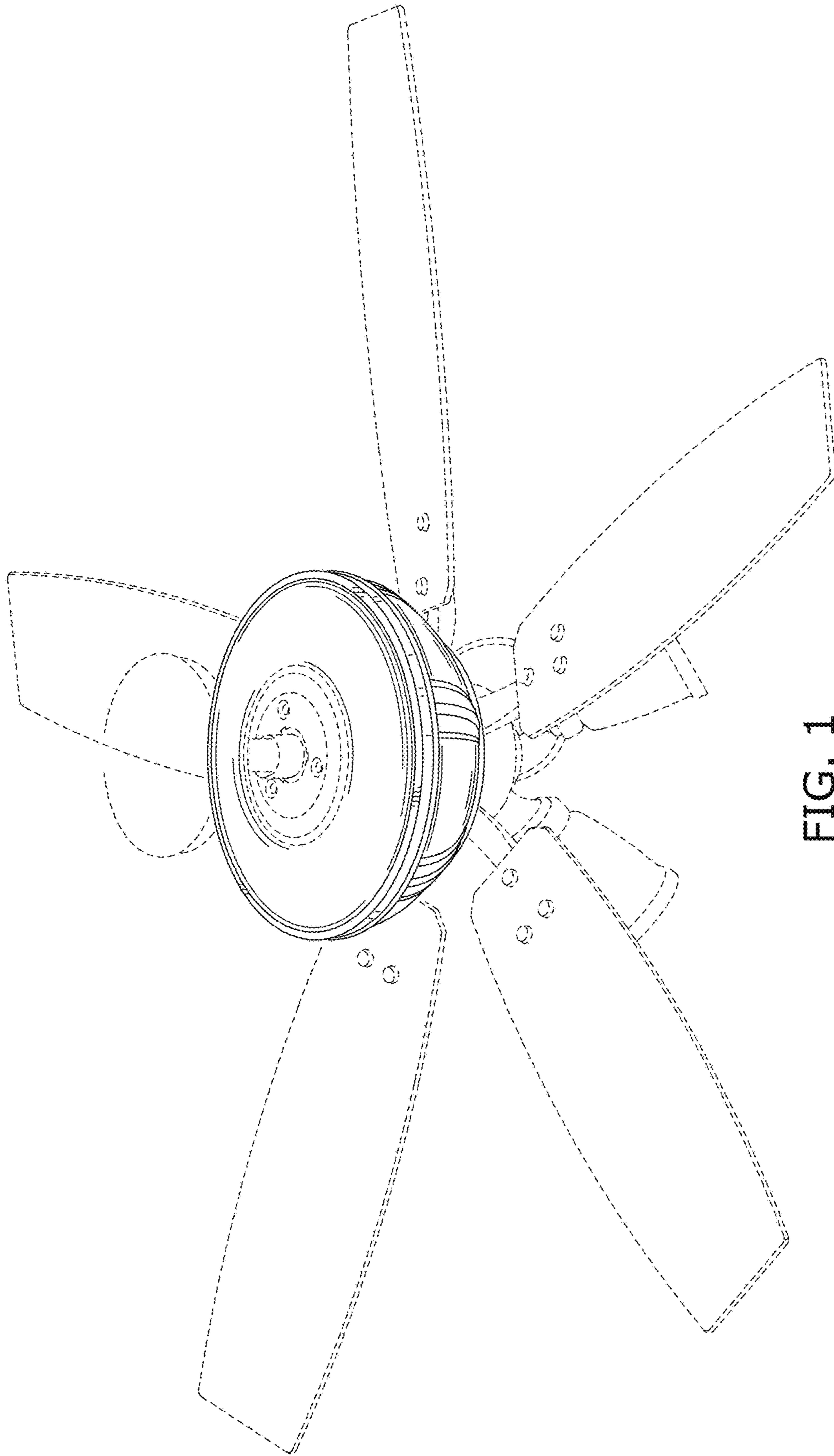


FIG. 1

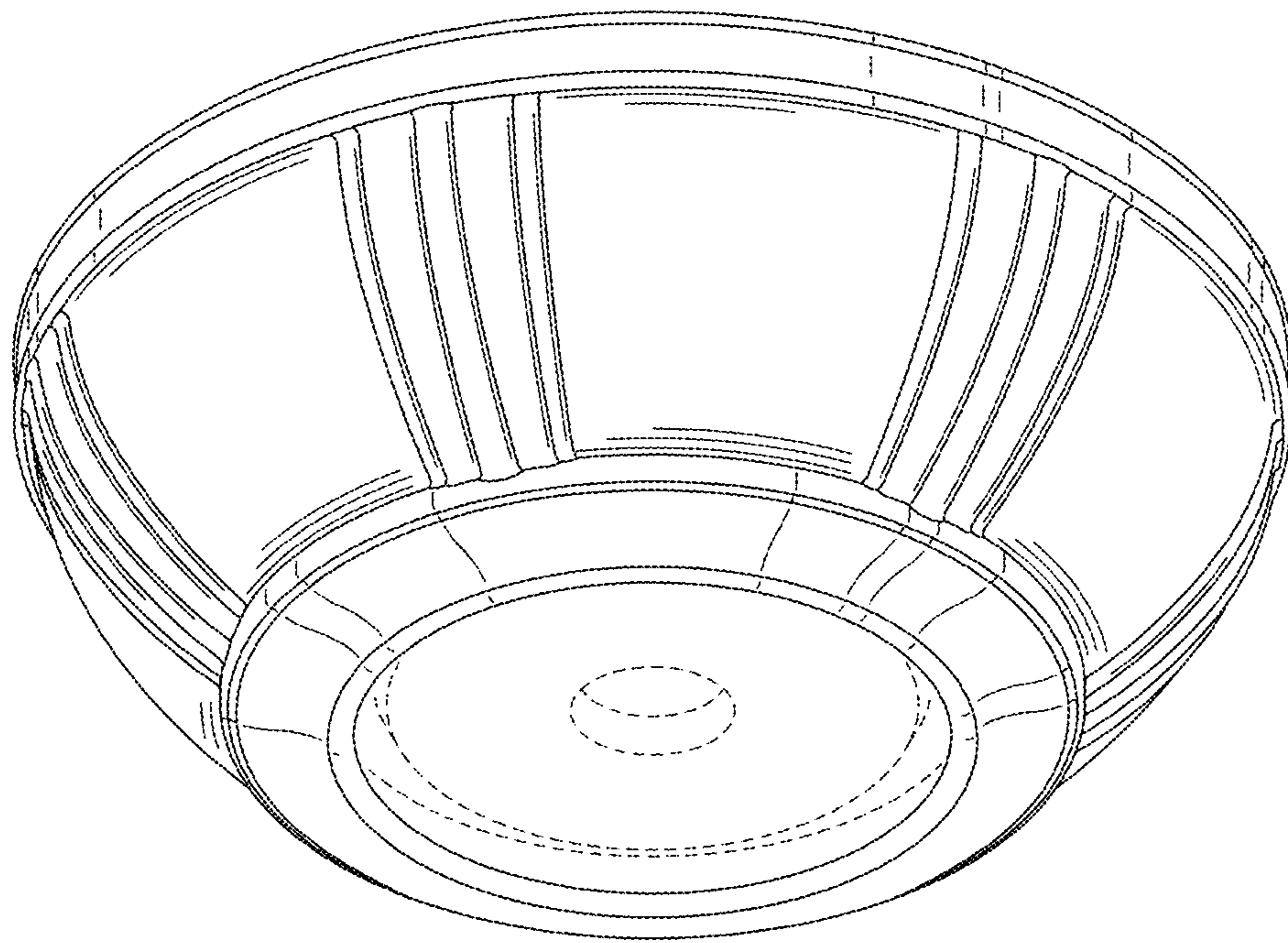


FIG. 2

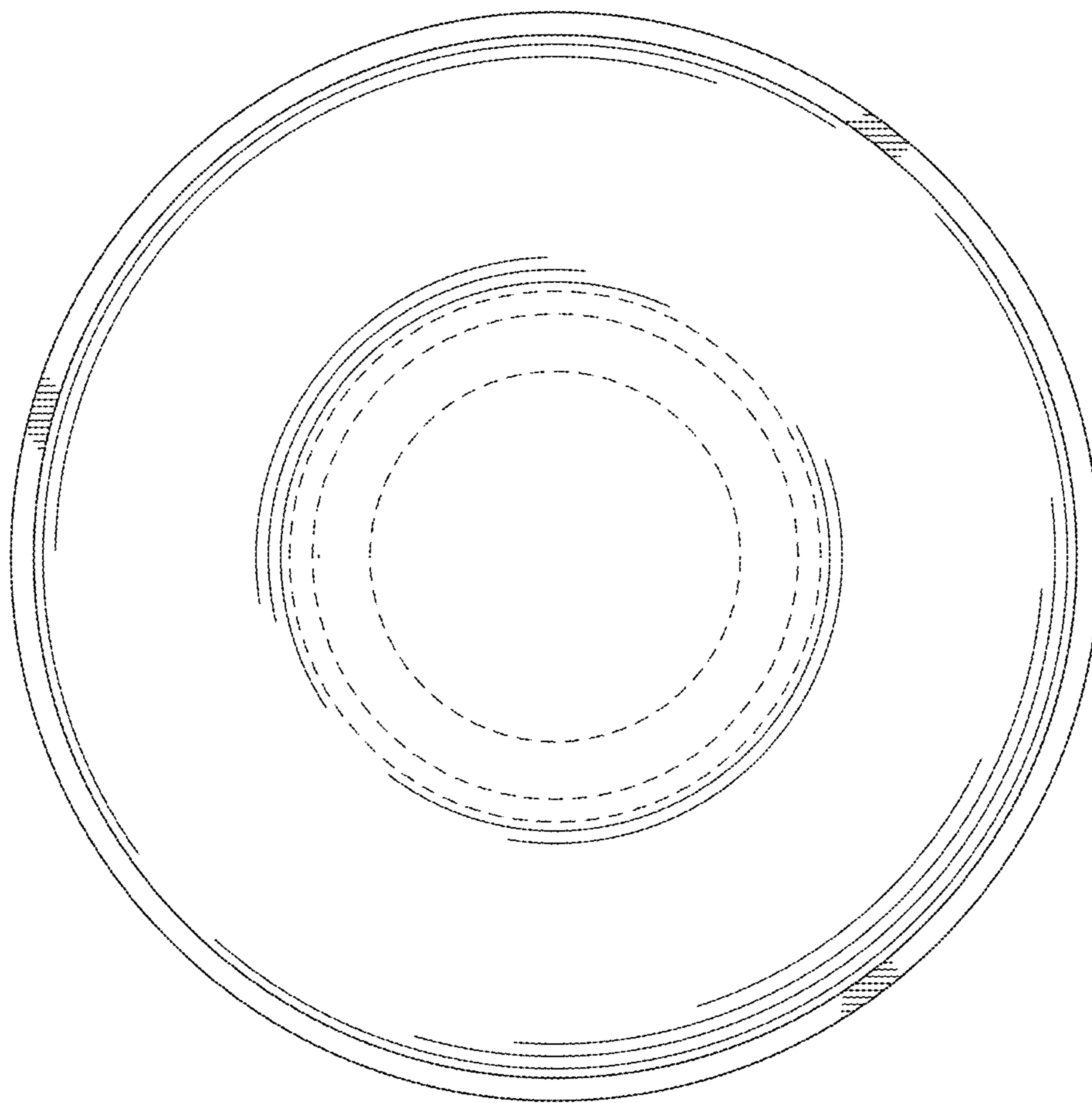


FIG. 3

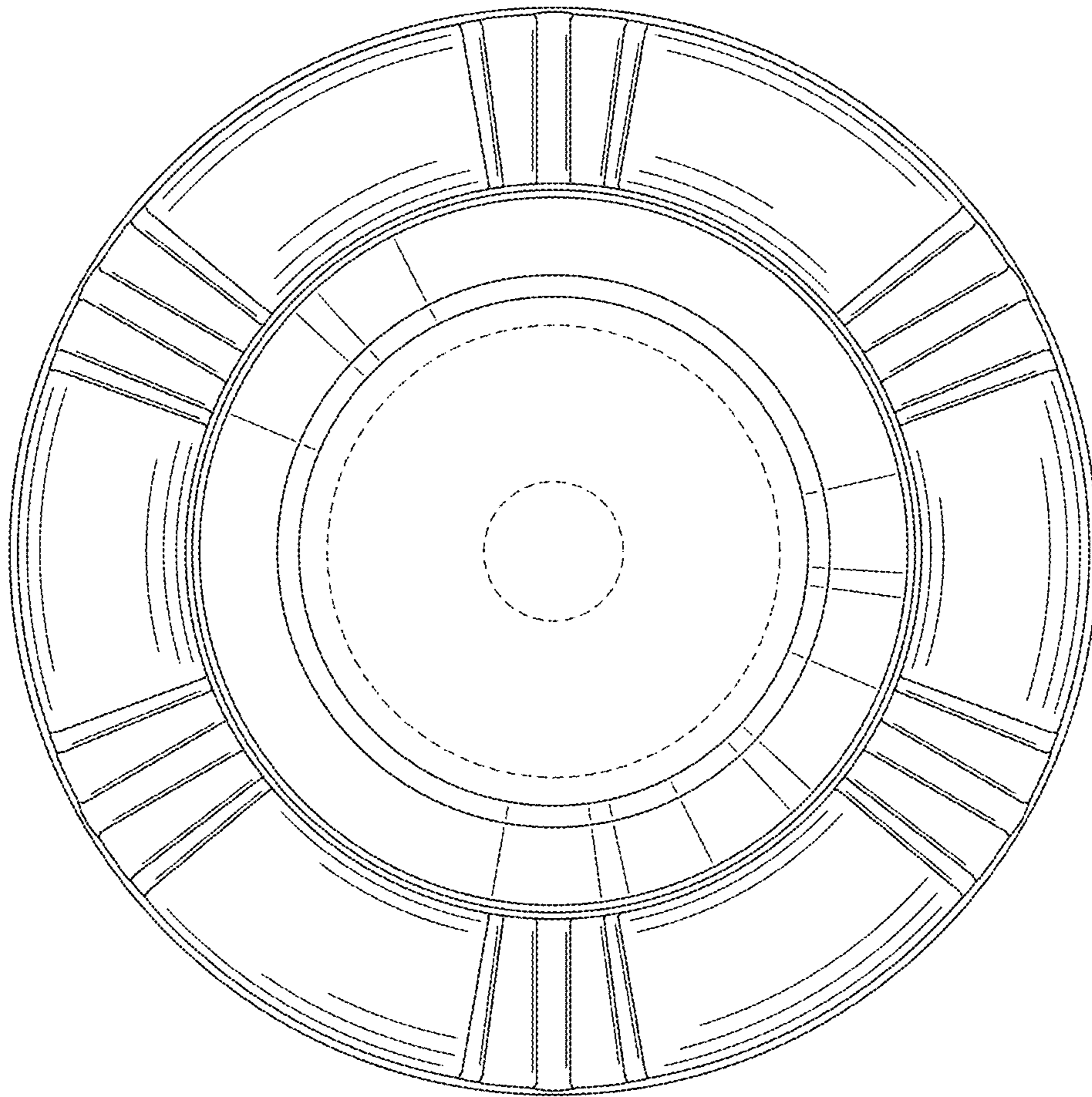


FIG. 4

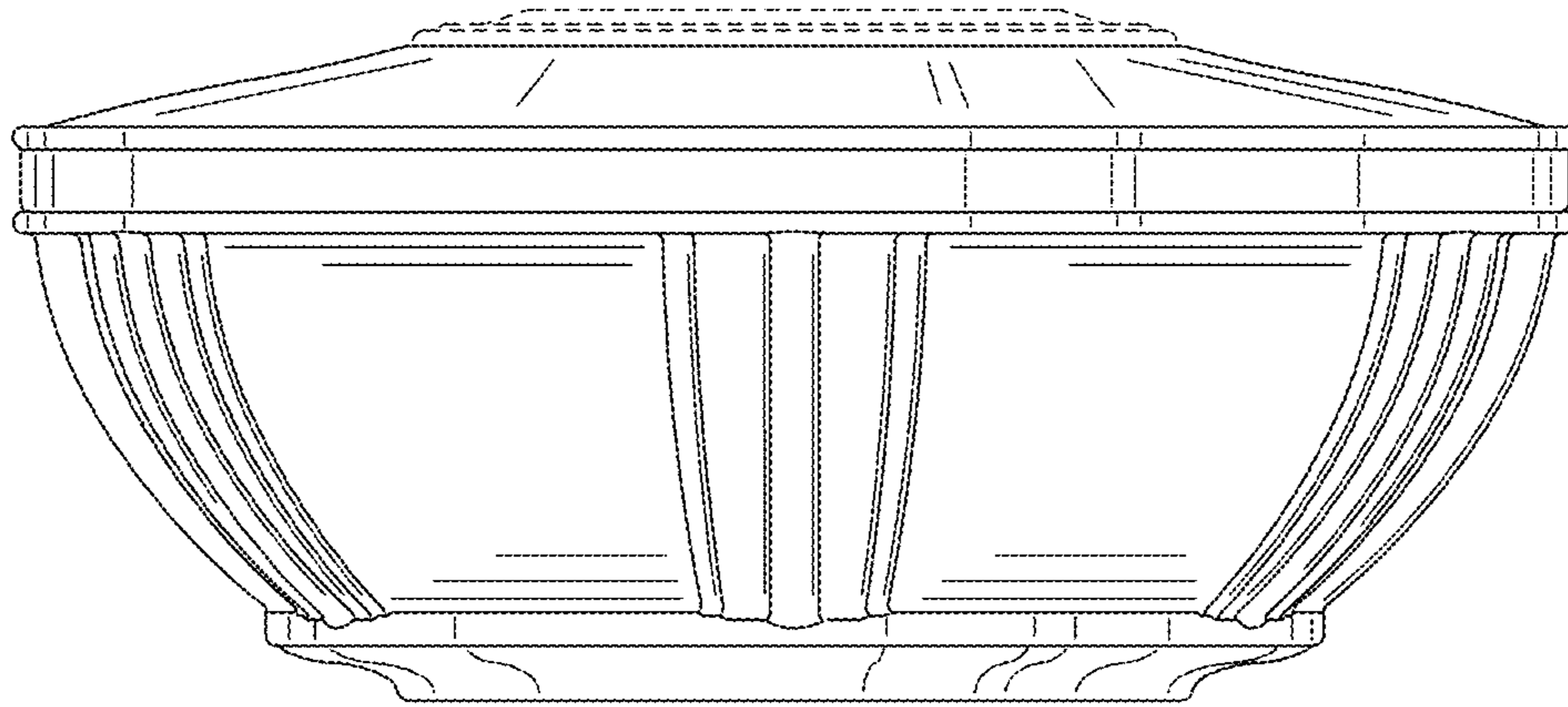


FIG. 5

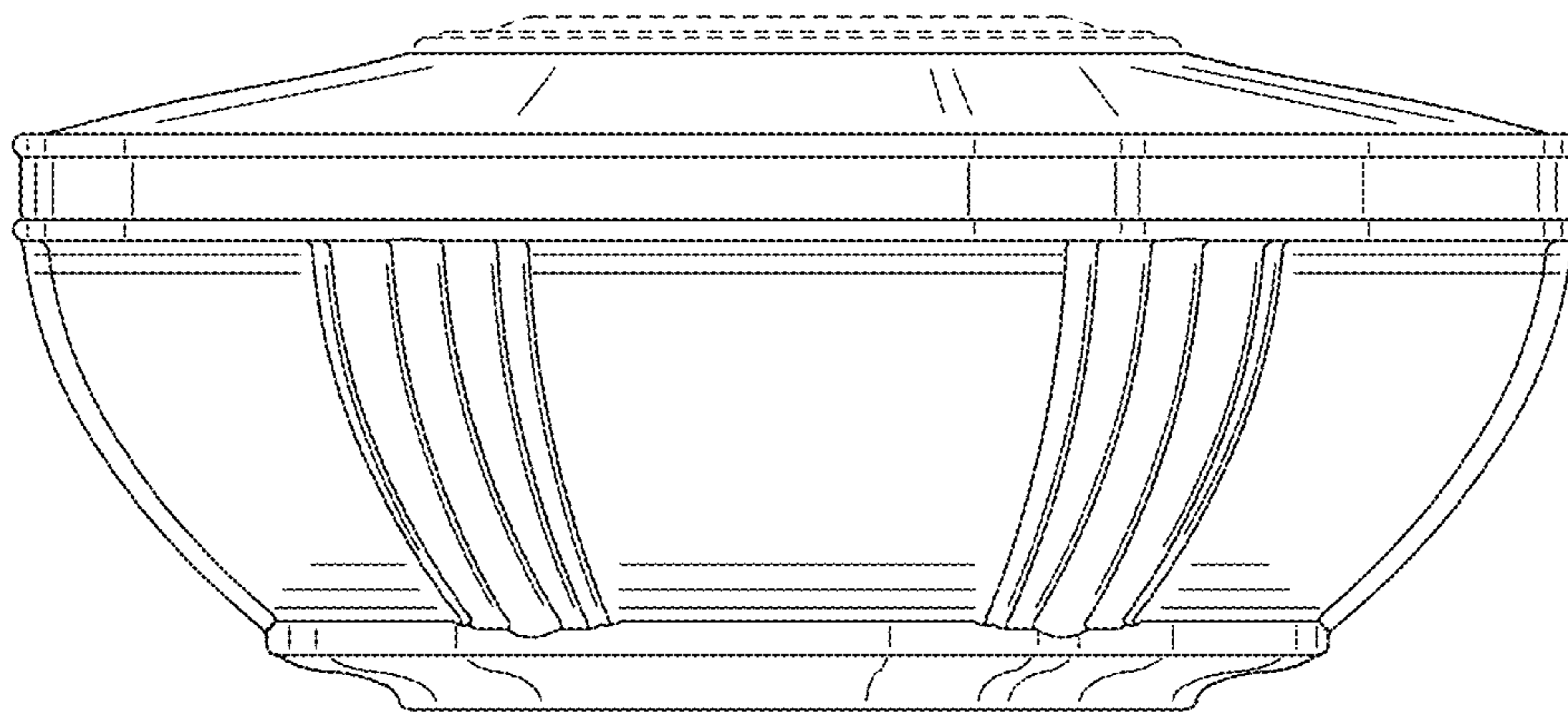


FIG. 6