



US00D825050S

(12) **United States Design Patent** (10) **Patent No.:** **US D825,050 S**
Hidalgo (45) **Date of Patent:** **** Aug. 7, 2018**

(54) **COMBINATION CEILING FAN BLADE AND IRON**

(71) Applicant: **Minka Lighting, Inc.**, Corona, CA (US)

(72) Inventor: **Rolando Hidalgo**, Yorba Linda, CA (US)

(73) Assignee: **Minka Lighting, Inc.**, Corona, CA (US)

(**) Term: **15 Years**

(21) Appl. No.: **29/586,738**

(22) Filed: **Dec. 6, 2016**

Related U.S. Application Data

(63) Continuation-in-part of application No. 29/552,009, filed on Jan. 19, 2016.

(51) **LOC (11) Cl.** **23-03**

(52) **U.S. Cl.**
USPC **D23/411; D23/413**

(58) **Field of Classification Search**
USPC D23/370-385, 411-414; D26/59
CPC F04D 25/088; F21V 33/0096
See application file for complete search history.

(56) **References Cited**

U.S. PATENT DOCUMENTS

D386,257 S *	11/1997	Liu	D23/377
D393,902 S	4/1998	Pickett		
D448,074 S	9/2001	Bogazzi		
D449,374 S	10/2001	Campbell		
D453,565 S	2/2002	Young		
D456,503 S	4/2002	Young		
D461,553 S	8/2002	Gajewski		
D476,728 S *	7/2003	Gajewski	D23/377

D477,068 S *	7/2003	Hsieh	D23/377
D715,917 S *	10/2014	Hidalgo	D23/377
D750,215 S *	2/2016	Gajewski	D23/385
D771,230 S *	11/2016	Jones	D23/377
2012/0177496 A1 *	7/2012	Gajewski	F04D 25/088 416/204 R

OTHER PUBLICATIONS

10 New Ceiling Fans for Summer, posted May 11, 2015, blog.lumens.com, site visited Nov. 4, 2016, Copyright © 2016, Available from Internet, <<http://blog.lumens.com/10-new-ceiling-fans-for-summer/>>.*

(Continued)

Primary Examiner — Cathron C Brooks

Assistant Examiner — Sharon S Oum

(74) *Attorney, Agent, or Firm* — Baker & McKenzie, LLP

(57) **CLAIM**

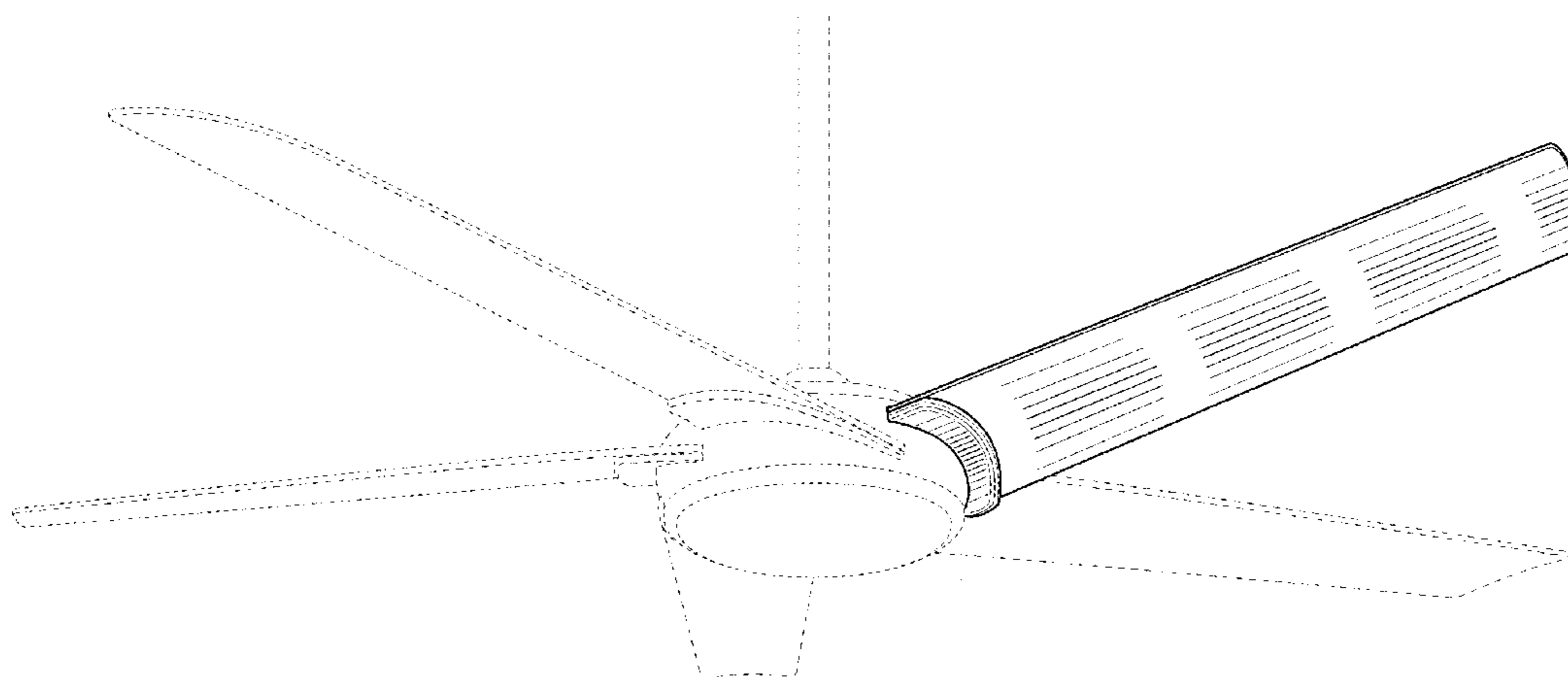
The ornamental design for a combination ceiling fan blade and iron, as shown and described.

DESCRIPTION

FIG. 1 is a perspective view of a combination ceiling fan blade and iron in accordance with my design; FIG. 2 is a bottom plan view of the combination ceiling fan blade and iron shown in FIG. 1, but in a detached position; FIG. 3 is a top plan view thereof; FIG. 4 is a left-side elevation view thereof; FIG. 5 is a right-side elevation view thereof; FIG. 6 is a front elevation view thereof; and, FIG. 7 is a rear elevation view thereof.

The broken-line disclosure of elements is understood to represent portions of the article in which the design is embodied, but which form no part of the claimed design.

1 Claim, 2 Drawing Sheets



(56)

References Cited

OTHER PUBLICATIONS

“Casablanca DC LED Stealth Ceiling Fan,” [online]. [Retrieved Dec. 6, 2016]. [web.archive.org/web/20150413014602/http://www.hansenwholesale.com/ceilingfans/casablanca/model.asp?ProdNo=CA-59164](http://www.hansenwholesale.com/ceilingfans/casablanca/model.asp?ProdNo=CA-59164). Published Apr. 13, 2015.

“Fanimation Xeno Ceiling Fan Model,” [online]. [Retrieved Dec. 6, 2016]. [web.archive.org/web/20160303010449/http://www.fanimation.com/products/index.php/xeno.html](http://www.fanimation.com/products/index.php/xeno.html). Published Mar. 3, 2016.

“Quorum Daystar Ceiling Fan Model,” [online]. [Retrieved Dec. 6, 2016]. [web.archive.org/web/20150812002449/http://www.farreys.com/ceiling_fans/quorum/daystar_88525-16.html](http://www.farreys.com/ceiling_fans/quorum/daystar_88525-16.html). Published Aug. 12, 2015.

“Modern Fan Flow Model,” [online]. [Retrieved Dec. 6, 2016]. [web.archive.org/web/20140728084848/http://www.ylighting.com/modern-fan-flow-ceiling-fan.html](http://www.ylighting.com/modern-fan-flow-ceiling-fan.html). Published Jul. 28, 2014.

“Casablanca Trident Ceiling Fan Model,” [online]. [Retrieved Dec. 6, 2016]. [web.archive.org/web/20140426024139/http://www.hansenwholesale.com/ceilingfans/casablanca/model.asp?ProdNo=CA-59083](http://www.hansenwholesale.com/ceilingfans/casablanca/model.asp?ProdNo=CA-59083). Published Apr. 26, 2014.

“Hunter Eurus Ceiling Fan,” [online]. [Retrieved Dec. 6, 2016]. [web.archive.org/web/20150305195754/http://www.hunterfan.com/ceiling-fans/eurus](http://www.hunterfan.com/ceiling-fans/eurus). Published Mar. 5, 2015.

“Modern Fan Torsion,” [online]. [Retrieved Dec. 6, 2016]. [web.archive.org/web/20140408061115/http://www.modernfan.com/products/torsion.html](http://www.modernfan.com/products/torsion.html). Published Apr. 8, 2014.

“Kichler 38" Arkwright with Polycarbonate Blades Ceiling Fan,” [online]. [Retrieved Dec. 6, 2016]. [web.archive.org/web/20140524064414/http://www.hansenwholesale.com/ceilingfans/kichler/model.asp?ProdNo=KL-300146AP-37027OBB](http://www.hansenwholesale.com/ceilingfans/kichler/model.asp?ProdNo=KL-300146AP-37027OBB). Published May 24, 2014.

“Emerson Luxe Eco (DC Motor) Ceiling Fan Model,” [online]. [Retrieved Dec. 6, 2016]. [web.archive.org/web/20120531013225/http://www.hansenwholesale.com/ceilingfans/emerson/model.asp?ProdNo=CF550DMBS](http://www.hansenwholesale.com/ceilingfans/emerson/model.asp?ProdNo=CF550DMBS). Published May 31, 2012.

“Fanimation Subtle Ceiling Fan Model,” [online]. [Retrieved Dec. 6, 2016]. [web.archive.org/web/20160125021018/http://www.fanimation.com/products/index.php/fans/subtle.html](http://www.fanimation.com/products/index.php/fans/subtle.html). Published Jan. 25, 2016.

“Craftmade Solo Encore DC Ceiling Fan Model,” [online]. [Retrieved Dec. 6, 2016]. [web.archive.org/web/20160428063321/http://www.lumens.com/solo-encore-ceiling-fan-by-craftmade-CFMP135086.html](http://www.lumens.com/solo-encore-ceiling-fan-by-craftmade-CFMP135086.html). Published Apr. 28, 2016.

“Savoy House Ariel 55" Ceiling Fan Model,” [online]. [Retrieved Dec. 6, 2016]. [web.archive.org/web/20131006140510/http://www.savoyhouse.com/Ariel-55-3-Blade-Ceiling-Fan.html](http://www.savoyhouse.com/Ariel-55-3-Blade-Ceiling-Fan.html). Published Oct. 6, 2013.

“Quorum Muse Ceiling Fan Model,” [online]. [Retrieved Dec. 6, 2016]. [web.archive.org/web/20150416115836/http://www.lampclick.com/quorum-lighting-ceiling-fan-21542.html](http://www.lampclick.com/quorum-lighting-ceiling-fan-21542.html). Published Apr. 16, 2015.

“Modern Fan Gusto Model,” [online]. [Retrieved Dec. 6, 2016]. [web.archive.org/web/20110420072449/http://www.ylighting.com/modern-fan-gusto-ceiling-fan.html](http://www.ylighting.com/modern-fan-gusto-ceiling-fan.html). Published Apr. 20, 2011.

“Casablanca Perseus Ceiling Fan,” [online]. [Retrieved Dec. 6, 2016]. [web.archive.org/web/20160403030918/http://www.casablancafanco.com/ceiling-fans/perseus](http://www.casablancafanco.com/ceiling-fans/perseus). Published Apr. 3, 2016.

“Montecarlo Mach One Ceiling Fan,” [online]. [Retrieved Dec. 6, 2016]. [web.archive.org/web/20110815013819/http://www.hansenwholesale.com/ceilingfans/montecarlo/model.asp?ProdNo=3MO52TMO](http://www.hansenwholesale.com/ceilingfans/montecarlo/model.asp?ProdNo=3MO52TMO). Published Aug. 15, 2011.

“Craftmade Juna Ceiling Fan Model,” [online]. [Retrieved Dec. 6, 2016]. [web.archive.org/web/20150702033455/http://www.hansenwholesale.com/ceilingfans/craftmade/model.asp?ProdNo=CF-JU54PLN3](http://www.hansenwholesale.com/ceilingfans/craftmade/model.asp?ProdNo=CF-JU54PLN3). Published Jul. 2, 2015.

“Quorum Nova Ceiling Fan,” [online]. [Retrieved Dec. 6, 2016]. [web.archive.org/web/20150416115836/http://www.lampclick.com/quorum-lighting-ceiling-fan-21542.html](http://www.lampclick.com/quorum-lighting-ceiling-fan-21542.html). Published Mar. 28, 2013.

“Casablanca Wisp 52 Ceiling Fan,” [online]. [Retrieved Dec. 6, 2016]. [web.archive.org/web/20160413154829/http://www.casablancafanco.com/ceiling-fans/wisp?ModelNumber=59151](http://www.casablancafanco.com/ceiling-fans/wisp?ModelNumber=59151). Published Apr. 13, 2016.

“Quorum Jellyfish Ceiling Fan Model,” [online]. [Retrieved Dec. 6, 2016]. [web.archive.org/web/20150114060315/http://www.lumens.com/jellyfish-ceiling-fan-by-quorum-international-uu12498.html](http://www.lumens.com/jellyfish-ceiling-fan-by-quorum-international-uu12498.html). Published Jan. 14, 2015.

“Casablanca Zudio Ceiling Fan Model,” [online]. [Retrieved Dec. 6, 2016]. [web.archive.org/web/20151107081340/http://www.casablancafanco.com:80/Ceiling-Fans/Zudio?ModelNumber=59109](http://www.casablancafanco.com:80/Ceiling-Fans/Zudio?ModelNumber=59109). Published Nov. 7, 2015.

* cited by examiner

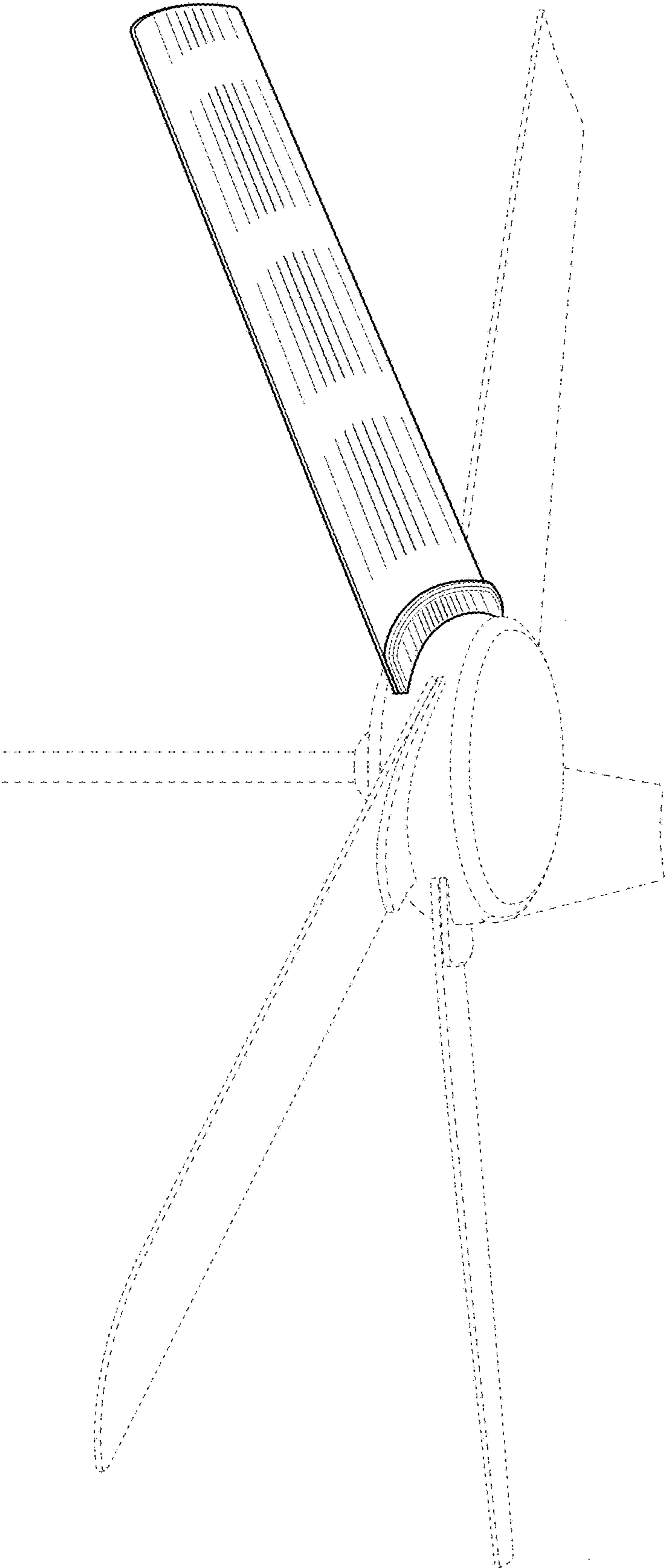


Fig. 1

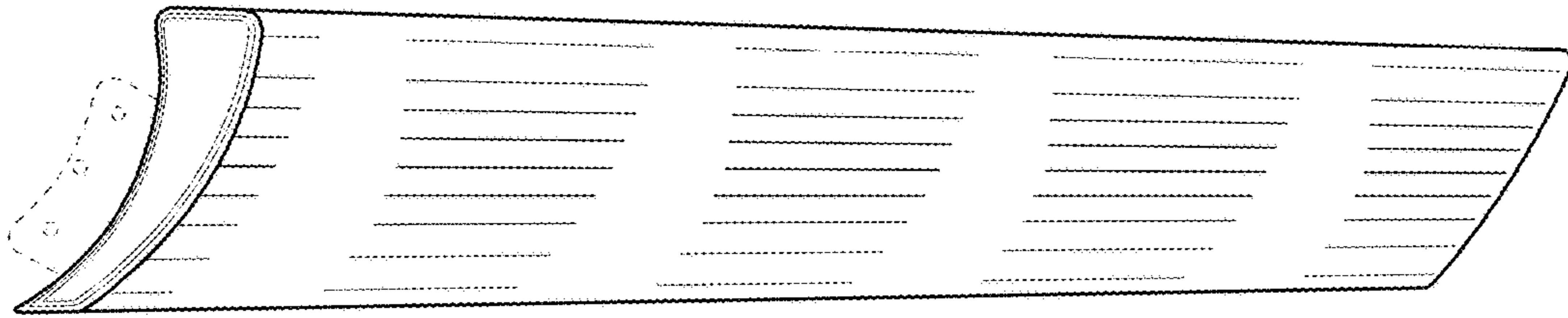


Fig.2

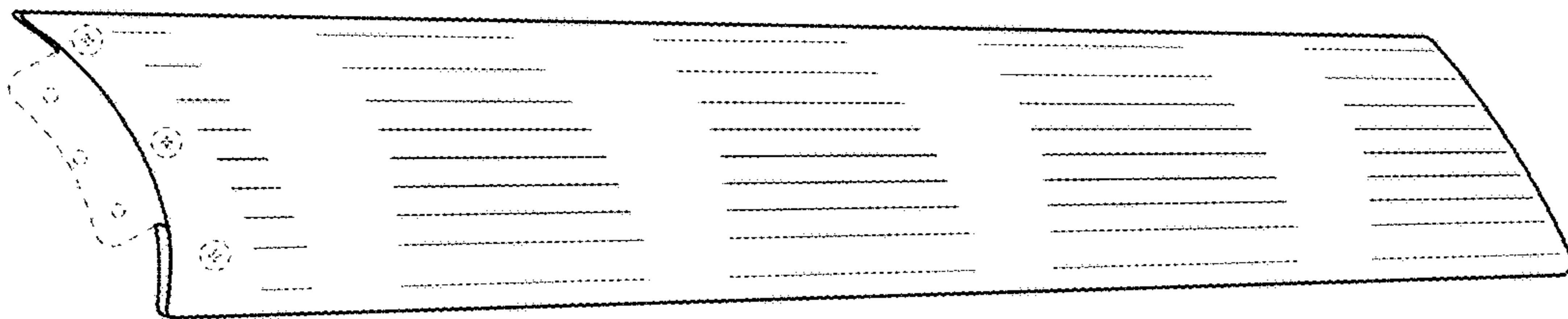


Fig.3

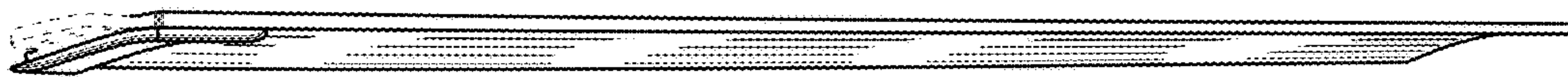


Fig.4

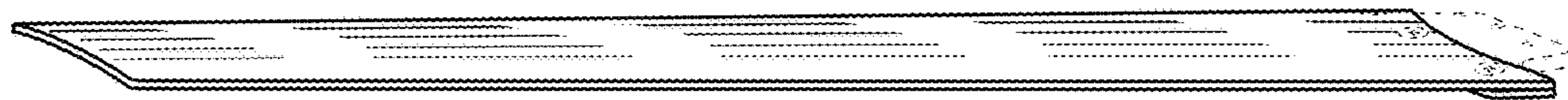


Fig.5



Fig.6

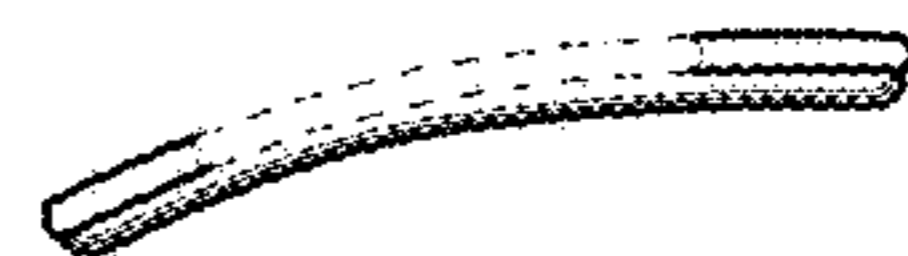


Fig.7