



US00D825049S

(12) **United States Design Patent**
Miskel

(10) **Patent No.:** **US D825,049 S**

(45) **Date of Patent:** **** Aug. 7, 2018**

(54) **FLOOR REGISTER SCREEN**

(71) Applicant: **Mountain View Promotions, Inc.**,
Marietta, GA (US)

(72) Inventor: **Hugh Michael Miskel**, Marietta, GA
(US)

(73) Assignee: **MOUNTAIN VIEW PROMOTIONS,
INC.**, Marietta, GA (US)

(**) Term: **15 Years**

(21) Appl. No.: **29/587,966**

(22) Filed: **Dec. 16, 2016**

(51) **LOC (11) Cl.** **23-01**

(52) **U.S. Cl.**
USPC **D23/388**

(58) **Field of Classification Search**
USPC D3/306; D23/259–261, 364, 365,
D23/387–393; D26/76; 29/428;
55/471–473, 491–493, 497, 500, 501,
55/504, 511
CPC B01D 46/02; B01D 46/10; B01D 46/523;
F02M 35/04
See application file for complete search history.

D672,438 S * 12/2012 Noel D23/261
D694,852 S * 12/2013 Gordon D23/209
D804,821 S * 12/2017 Hardy D3/306
D816,812 S * 5/2018 Huber D23/261
2012/0124951 A1 * 5/2012 Miskel B01D 46/2411
55/500

OTHER PUBLICATIONS

“Floor Register Trap—Screen for Home Air Vents 4”x10”.”
importitall.com. Date not available. Accessed May 23, 2018. Avail-
able online at URL: <<https://www.importitall.co.za/Floor-Register-Trap-Screen-for-Home-Air-Vents-4x10-ap-B06WGPLB3R.html>>.*

“Camco 42147 RV Stove Flying Insect Screen.” hannarv.com. Date
not available. Accessed May 23, 2018. Available online at URL:
<<https://www.hannarv.com/P/375/Camco42147RVStoveFlyingInsectScreen>>.*

* cited by examiner

Primary Examiner — Cathron C Brooks
Assistant Examiner — Christian P. McLean
(74) *Attorney, Agent, or Firm* — Barnes & Thornburg
LLP; Jason Bernstein

(57) **CLAIM**

The ornamental design for a floor register screen, as shown
and described.

DESCRIPTION

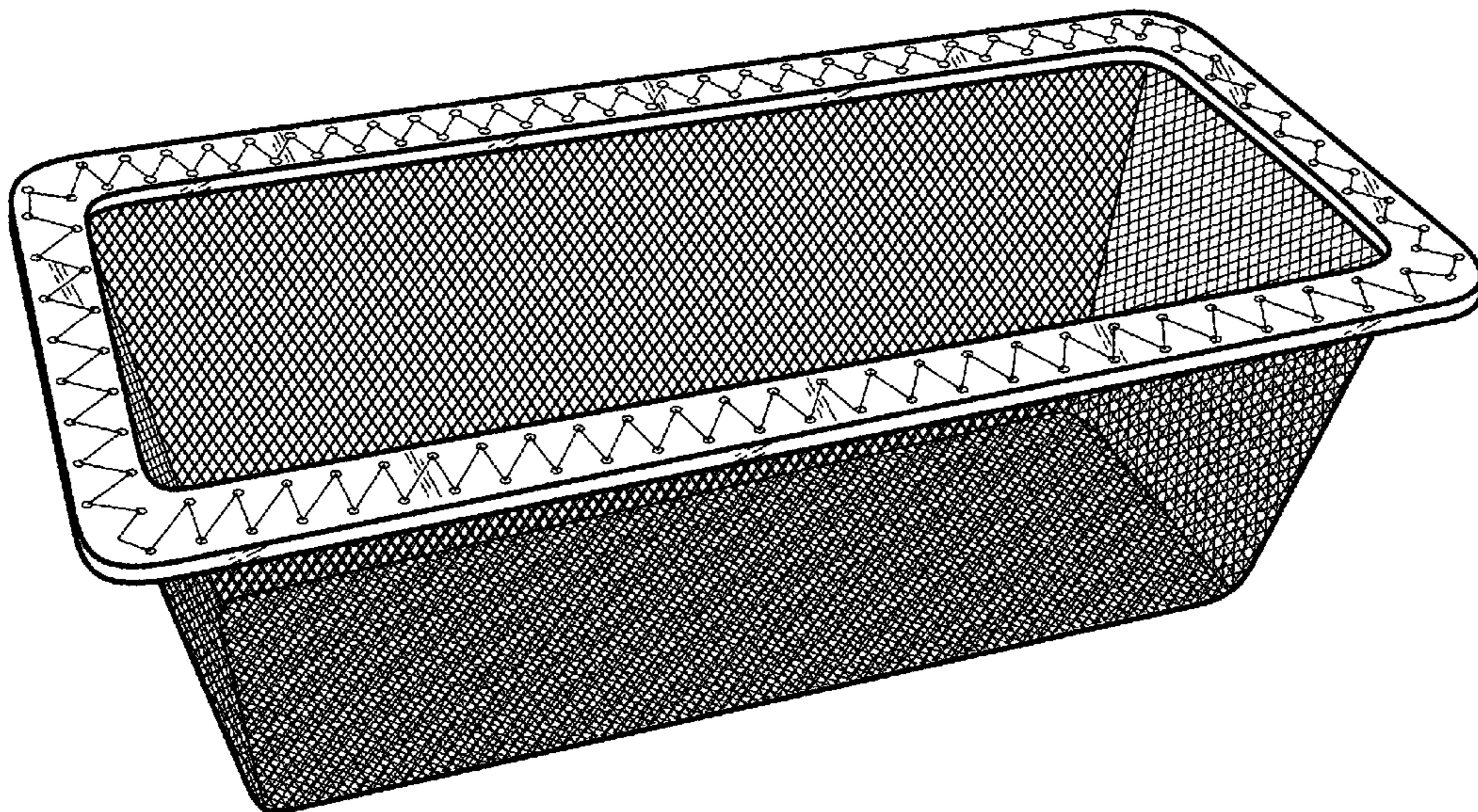
FIG. 1 is a top plan view;
FIG. 2 is a left side elevational view;
FIG. 3 is a right side elevational view;
FIG. 4 is a bottom plan view;
FIG. 5 is a front elevational view;
FIG. 6 is a rear elevational view; and,
FIG. 7 is a perspective view.

1 Claim, 7 Drawing Sheets

(56) **References Cited**

U.S. PATENT DOCUMENTS

D180,537 S * 6/1957 Stevens D26/76
D246,330 S * 11/1977 Krase D26/76
D461,887 S * 8/2002 Mattsson D23/393
D462,422 S * 9/2002 Conner D23/261
D483,459 S * 12/2003 DeWit D23/365
D513,874 S * 1/2006 Hardy D3/306
D519,627 S * 4/2006 Cooper D23/393
D579,139 S * 10/2008 Ghini D26/72



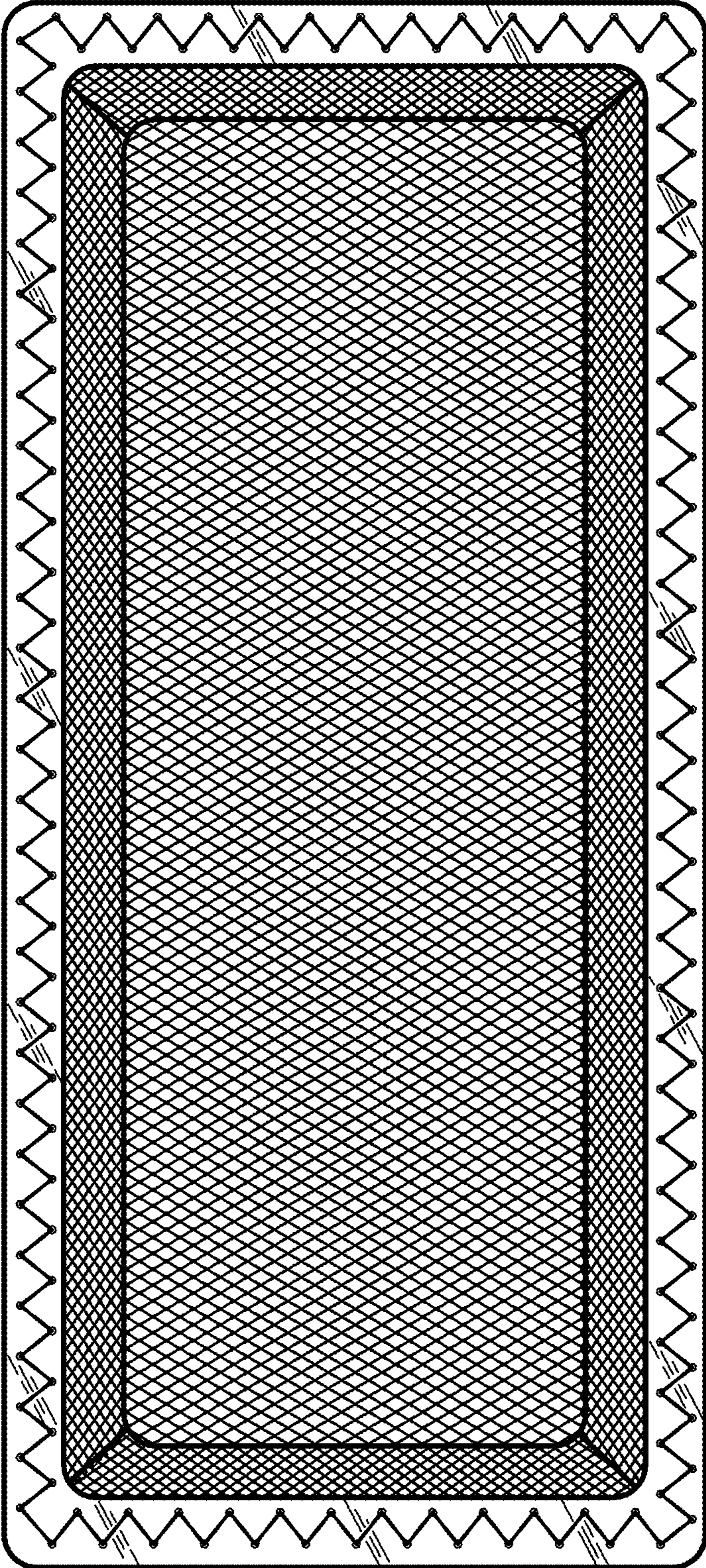


Fig. 1

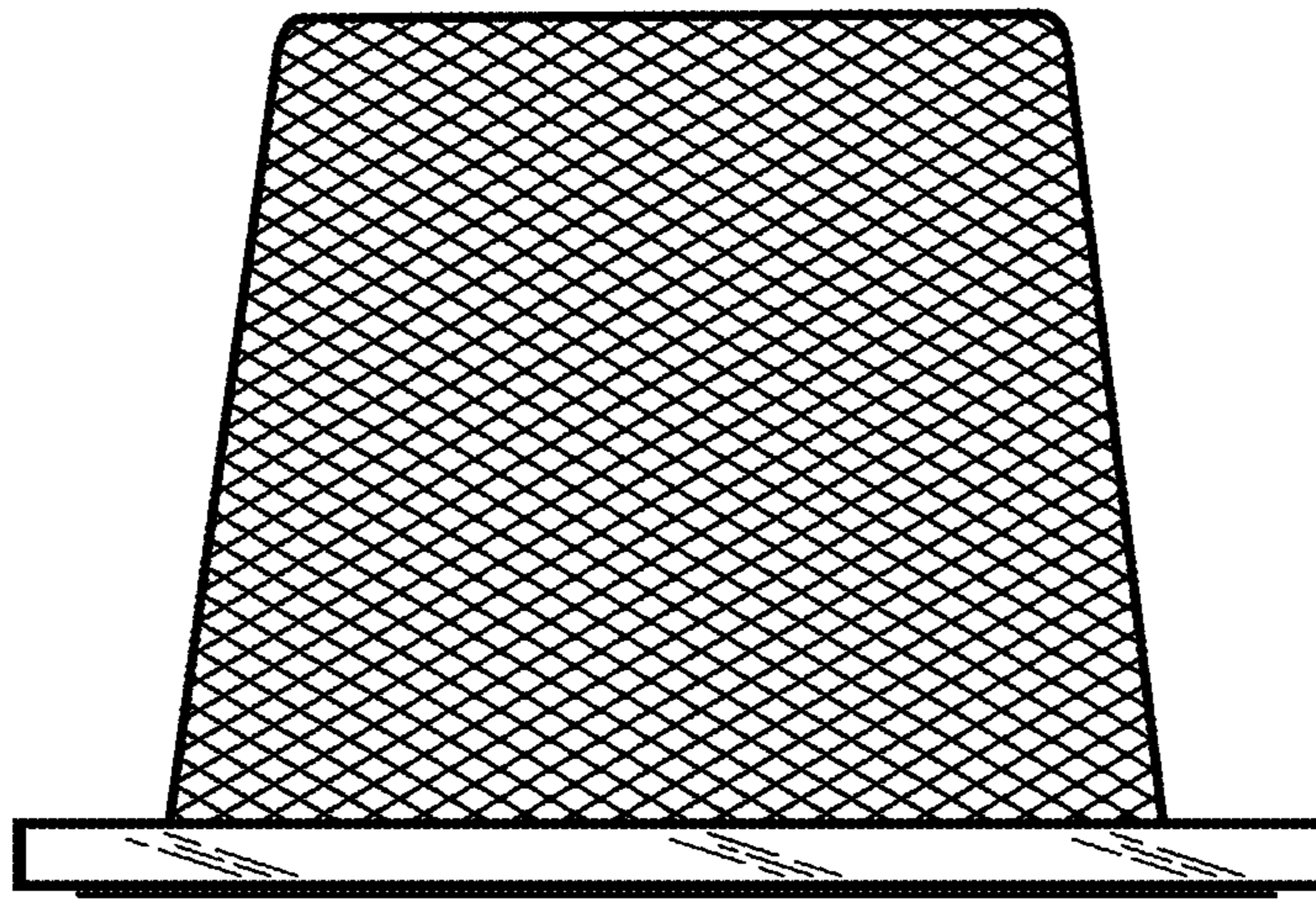


Fig. 2

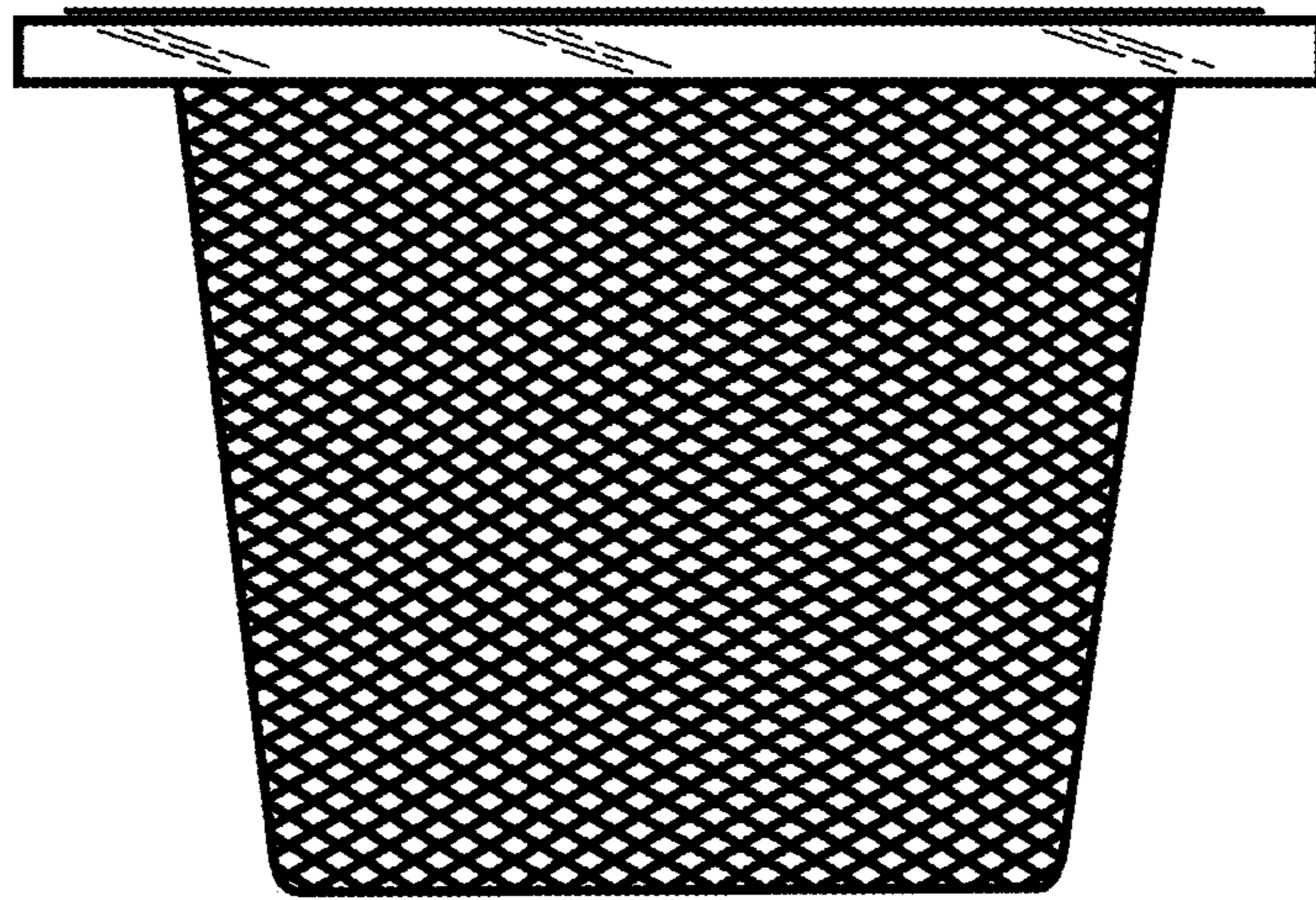


Fig. 3

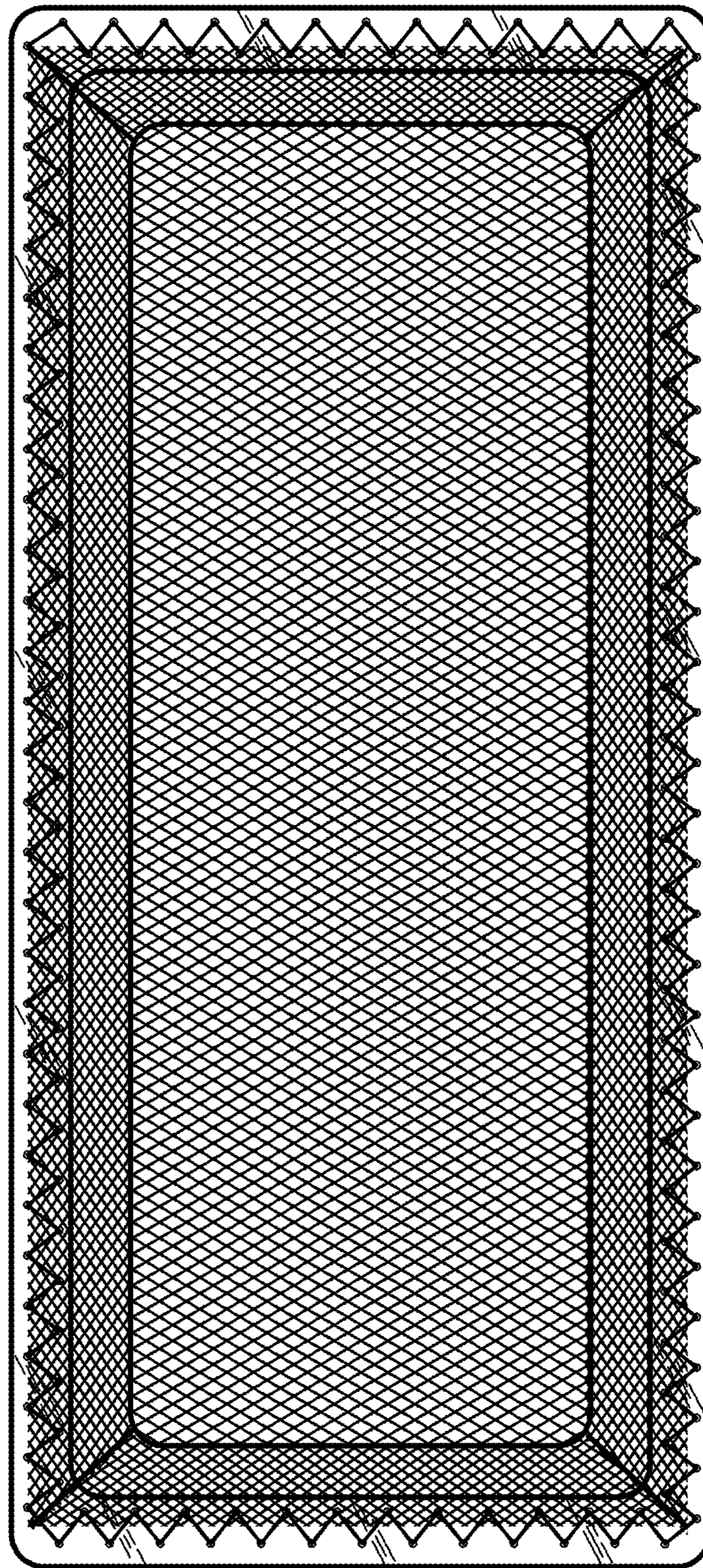


Fig. 4

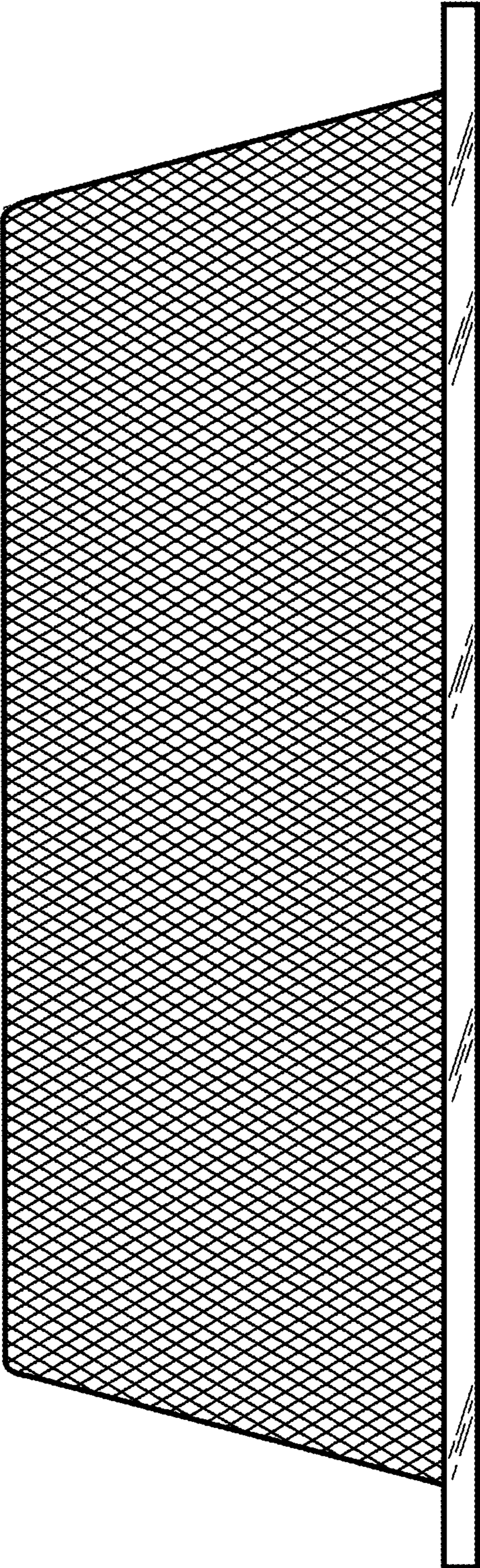


Fig. 5

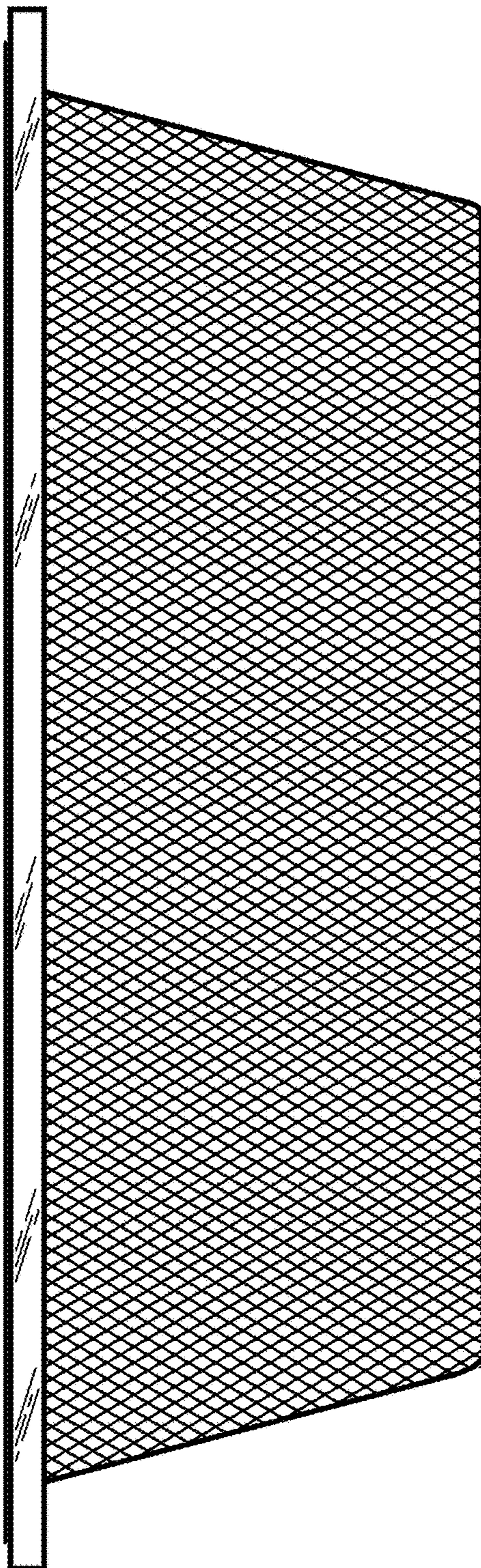


Fig. 6

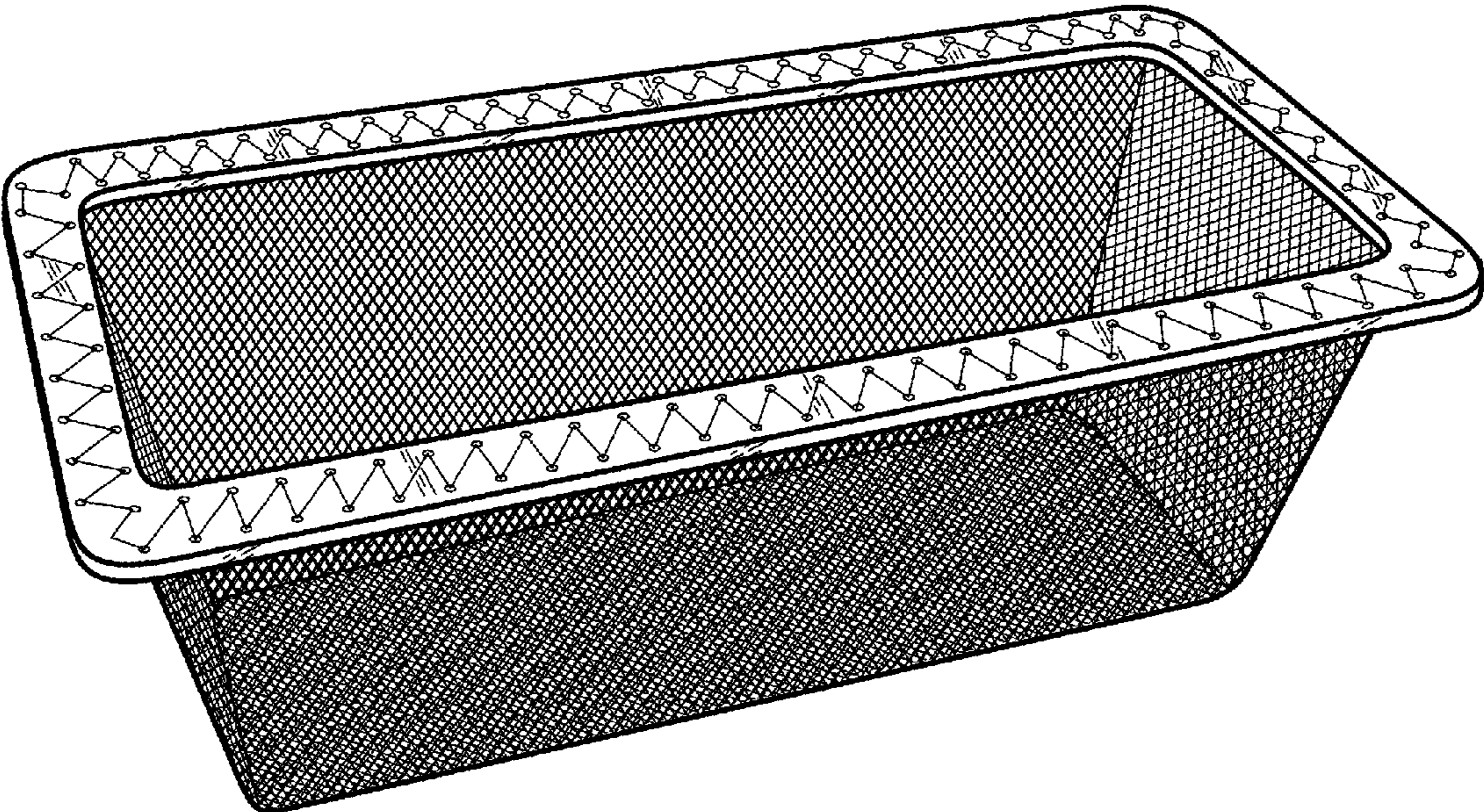


Fig. 7