



US00D825048S

(12) **United States Design Patent** (10) **Patent No.:** **US D825,048 S**  
**Breit et al.** (45) **Date of Patent:** **\*\* Aug. 7, 2018**

(54) **PORTABLE FAN**  
(71) Applicant: **O2COOL, LLC**, Chicago, IL (US)  
(72) Inventors: **Oliver Breit**, Discovery Bay (HK); **Lars Junker**, Kowloon (HK); **Michael Ksiazek**, Burr Ridge, IL (US); **Eric F. Junkel**, Mount Prospect, IL (US)  
(73) Assignee: **O2COOL, LLC**, Chicago, IL (US)  
(\*\*) Term: **15 Years**  
(21) Appl. No.: **29/606,034**  
(22) Filed: **Jun. 1, 2017**  
(51) **LOC (11) Cl.** ..... **23-04**  
(52) **U.S. Cl.**  
USPC ..... **D23/382**  
(58) **Field of Classification Search**  
USPC ..... D23/370-379, 381-385, 411-414, 360, D23/314, 335, 328, 332  
CPC . F04D 5/00; F04D 27/00; F04D 25/10; F04D 29/64; F04D 19/00; F24H 3/04; B65D 71/00  
See application file for complete search history.

D610,671 S \* 2/2010 Zhuang ..... D23/382  
D674,476 S \* 1/2013 Junkel ..... D23/370  
D674,888 S \* 1/2013 Kawase ..... D23/370  
D684,249 S \* 6/2013 Herbst ..... D23/370  
D689,599 S \* 9/2013 Herbst ..... D23/382  
D689,600 S \* 9/2013 Herbst ..... D23/382  
D721,431 S \* 1/2015 Herbst ..... D23/382  
D807,487 S \* 1/2018 Delerue ..... D23/370  
2013/0108481 A1 \* 5/2013 Hoyer ..... F04D 25/084  
417/234

\* cited by examiner

*Primary Examiner* — Janice Hallmark

(74) *Attorney, Agent, or Firm* — Thompson Coburn LLP; Alan H. Norman

(57) **CLAIM**

The ornamental design for a portable fan, as shown and described.

**DESCRIPTION**

FIG. 1 is a perspective view of the portable fan of our new design in a first configuration;  
FIG. 2 is a front view thereof;  
FIG. 3 is a rear view thereof;  
FIG. 4 is a right side view thereof;  
FIG. 5 is a left side view thereof;  
FIG. 6 is a top view thereof;  
FIG. 7 is a bottom view thereof;  
FIG. 8 is a perspective view of the portable fan in a second configuration;  
FIG. 9 is a another perspective view thereof; and,  
FIG. 10 is rear view thereof.

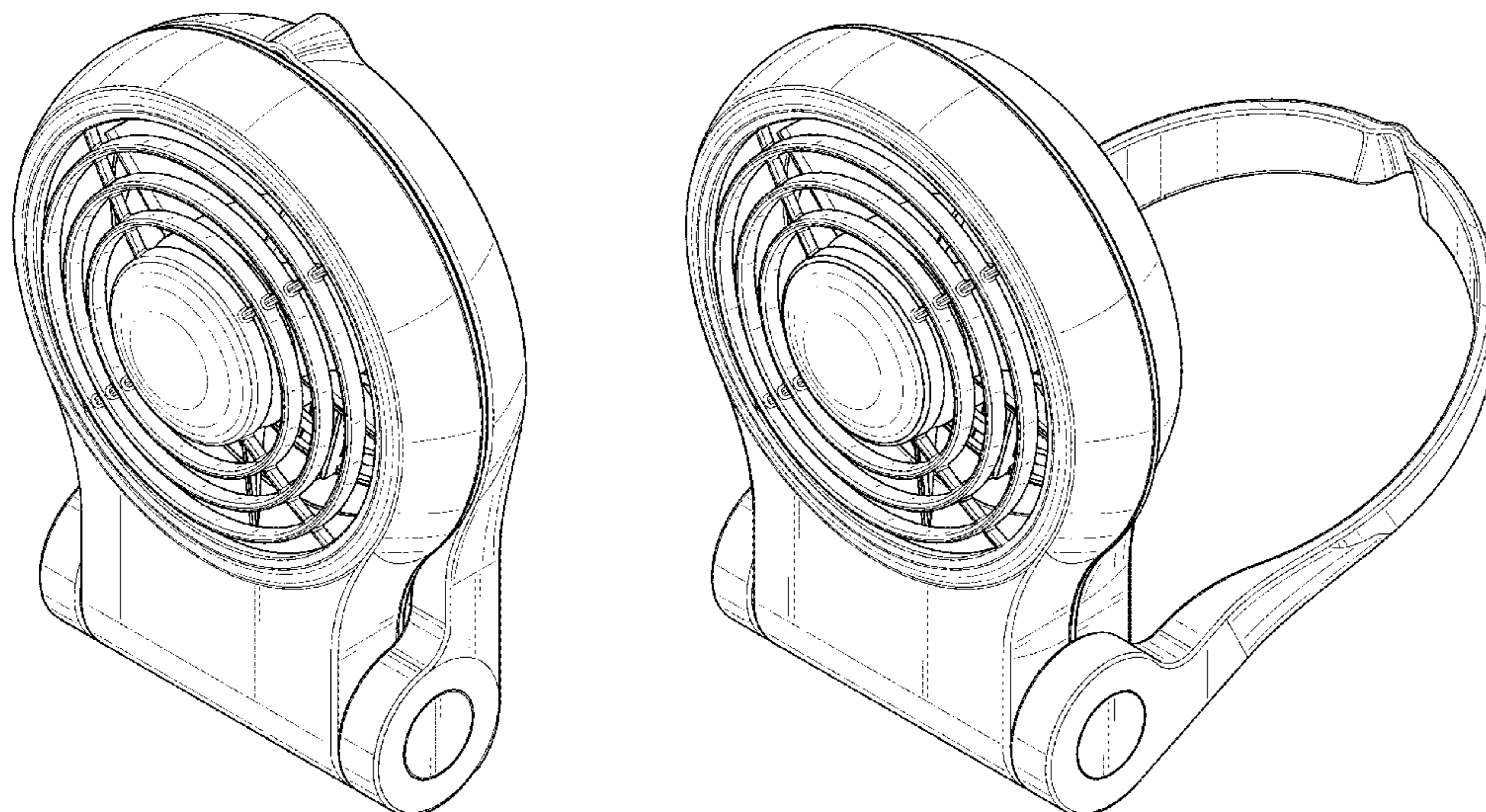
The broken lines immediately adjacent the shaded areas represent the bounds of the claimed design while all other broken lines are directed to environment and are for illustrative purposes only; the broken lines form no part of the claimed design.

**1 Claim, 10 Drawing Sheets**

(56) **References Cited**

**U.S. PATENT DOCUMENTS**

D387,151 S \* 12/1997 Fok ..... D23/332  
D387,153 S \* 12/1997 Fok ..... D23/332  
D429,326 S \* 8/2000 Fok ..... D23/332  
D435,899 S \* 1/2001 Melwani ..... D23/382  
D449,373 S \* 10/2001 Pinchuk ..... D23/382  
D458,361 S \* 6/2002 Melwani ..... D23/379  
D464,420 S \* 10/2002 Tolar ..... D23/382  
D510,994 S \* 10/2005 Indio Da Costa ..... D23/382  
D564,084 S \* 3/2008 Chen ..... D23/382  
D566,260 S \* 4/2008 Chen ..... D23/382  
D597,195 S \* 7/2009 Zhuang ..... D23/411



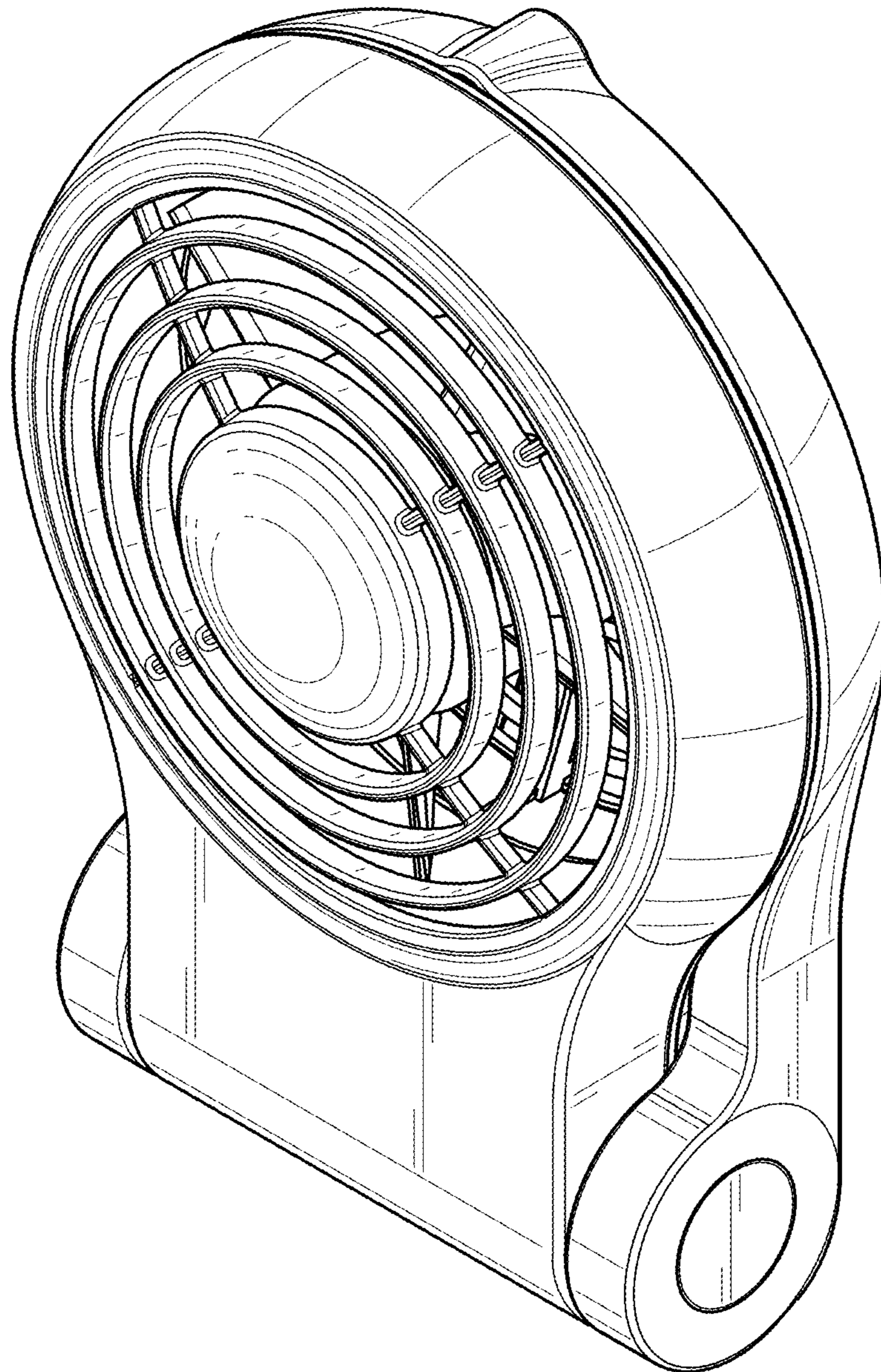


FIG. 1

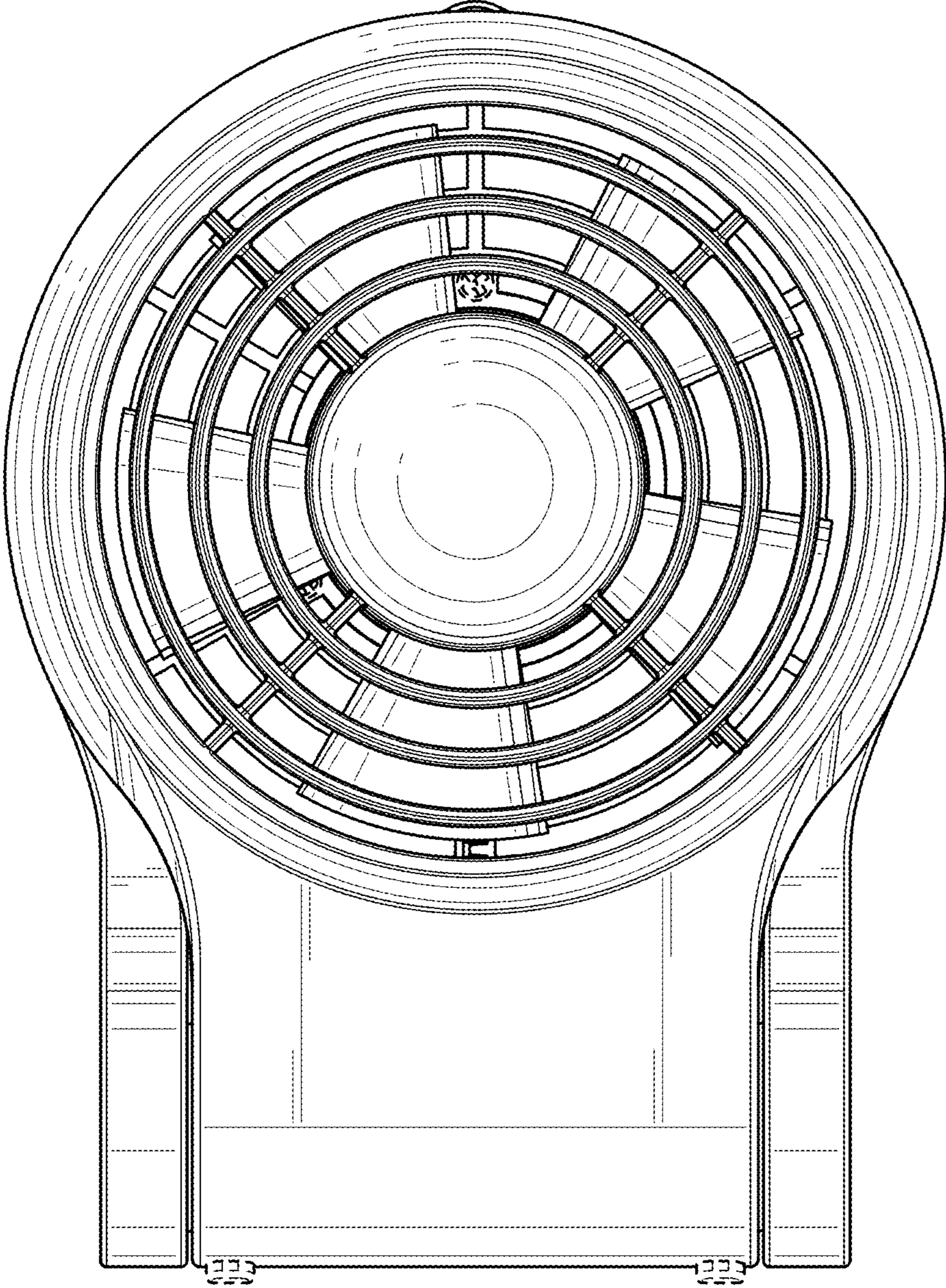


FIG. 2

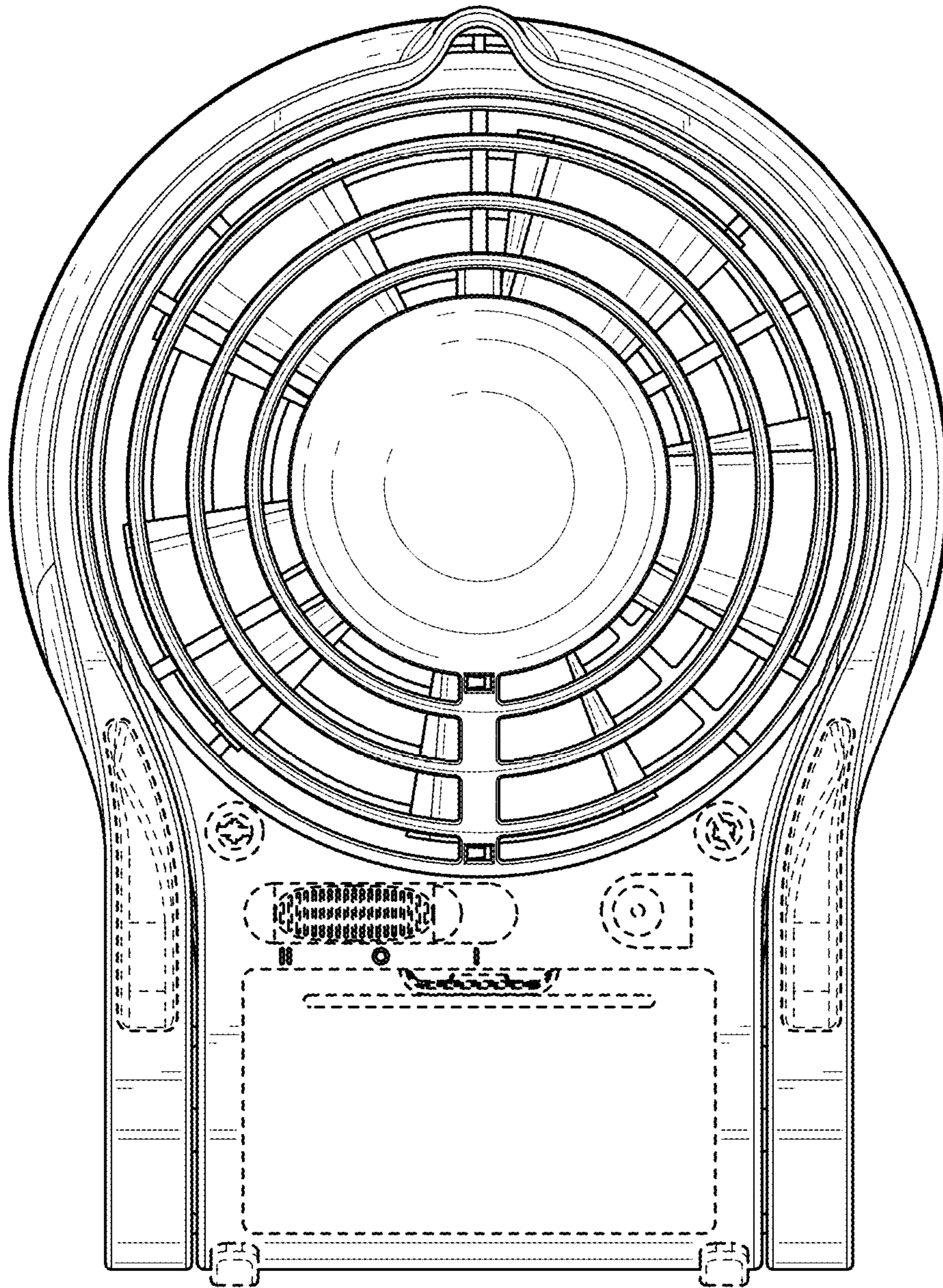


FIG. 3

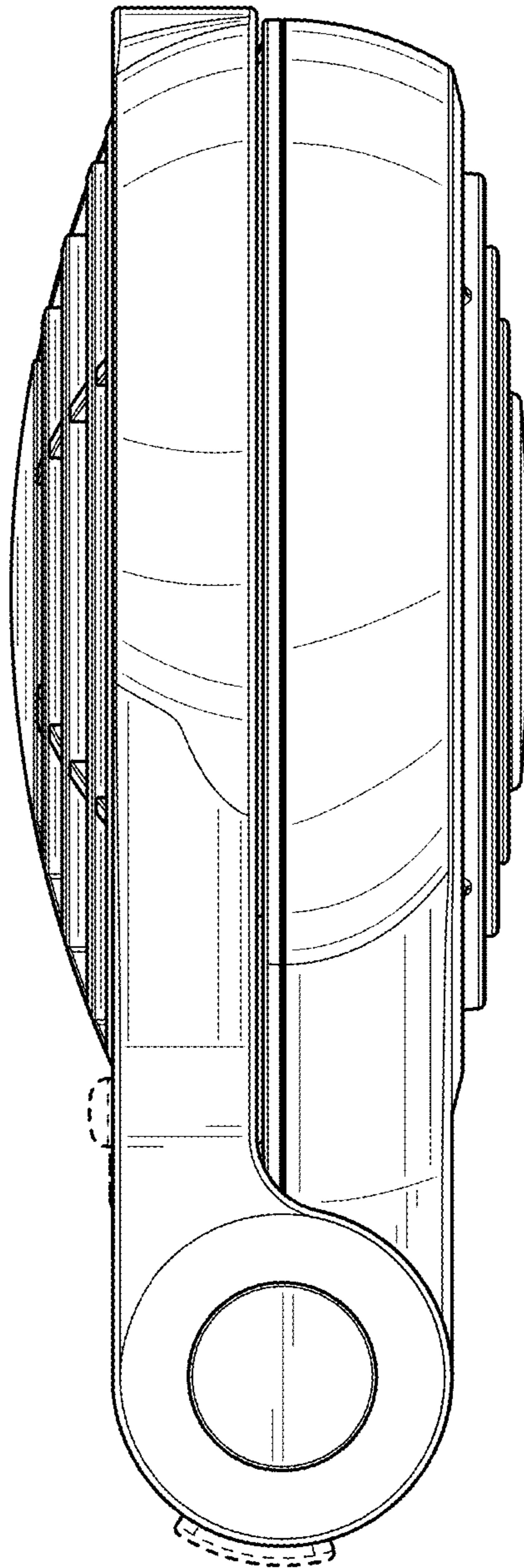


FIG. 4

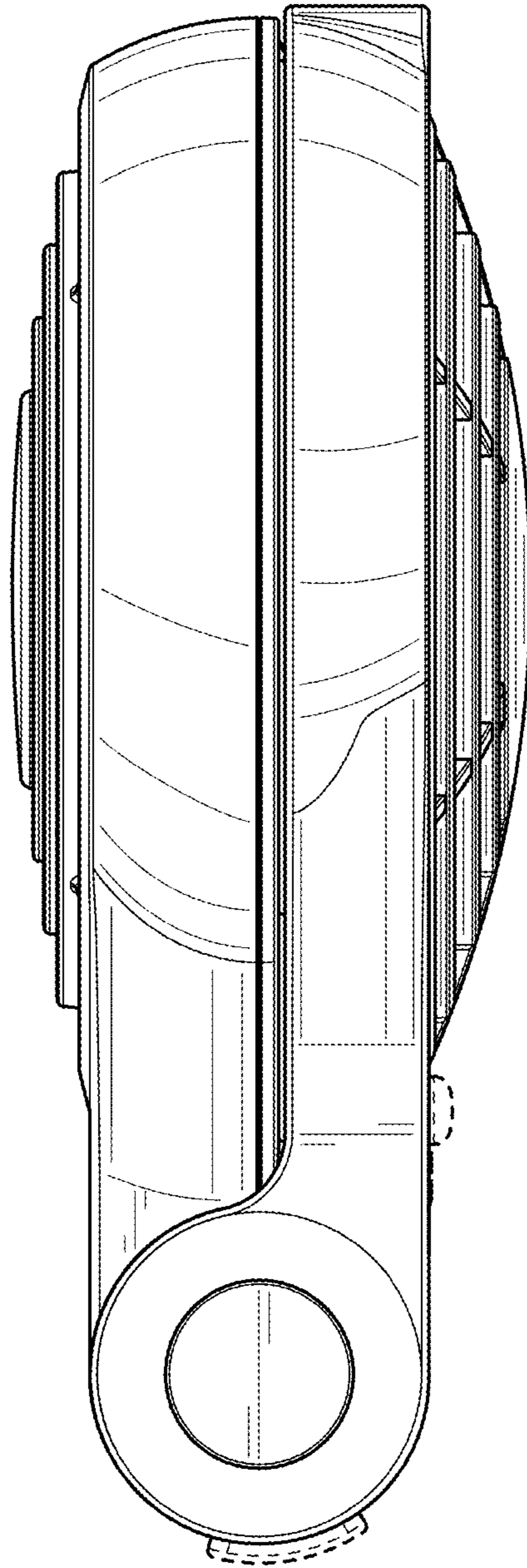


FIG. 5

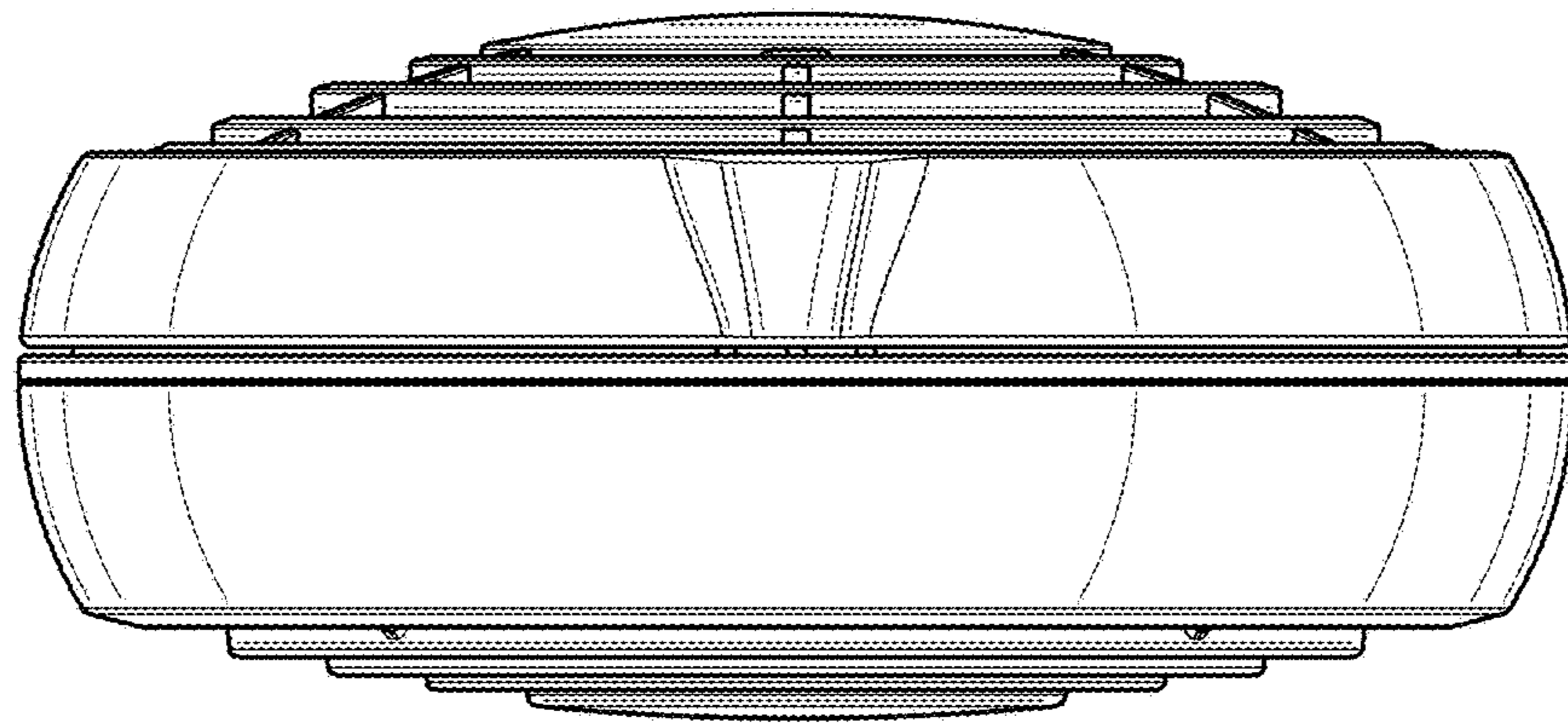


FIG. 6

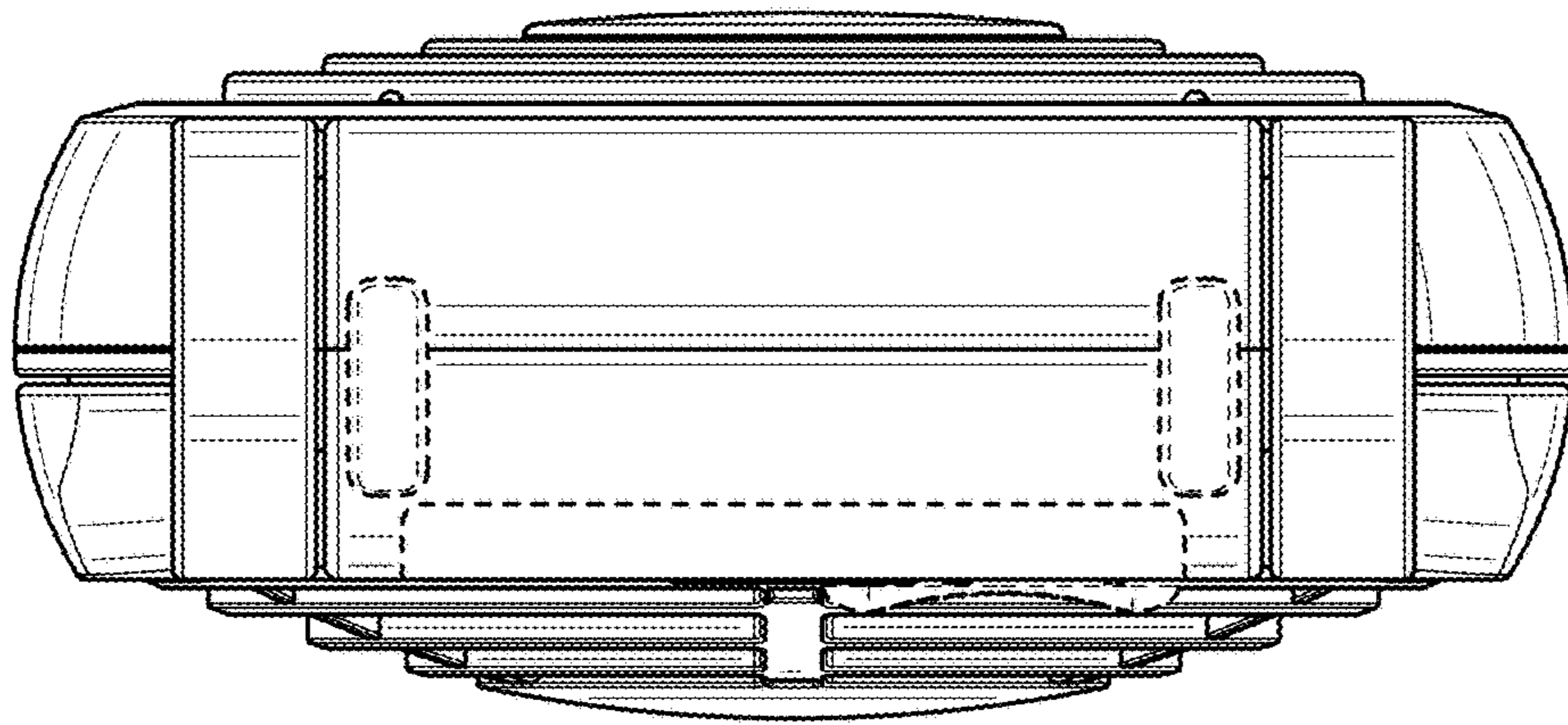


FIG. 7



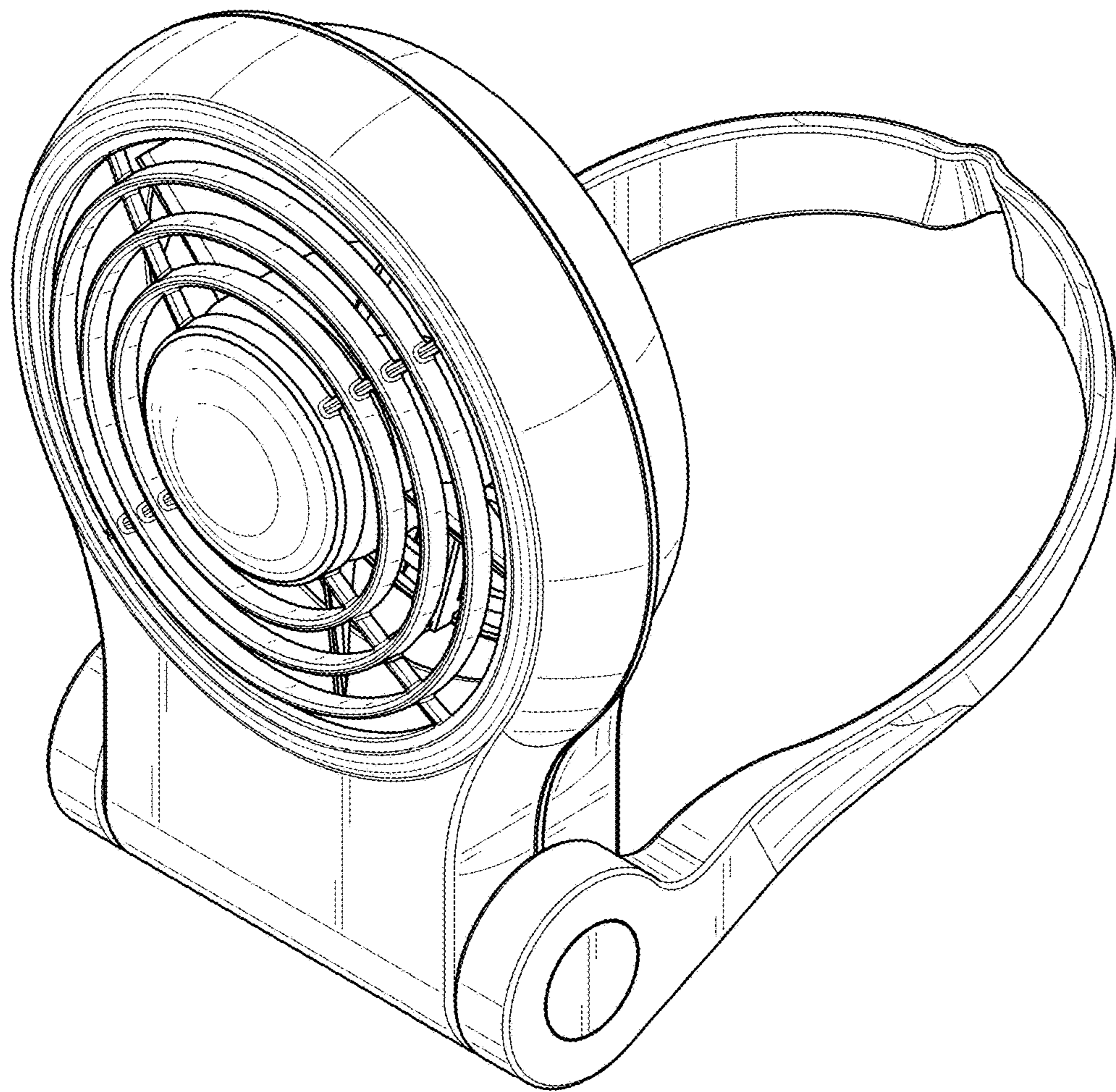


FIG. 8

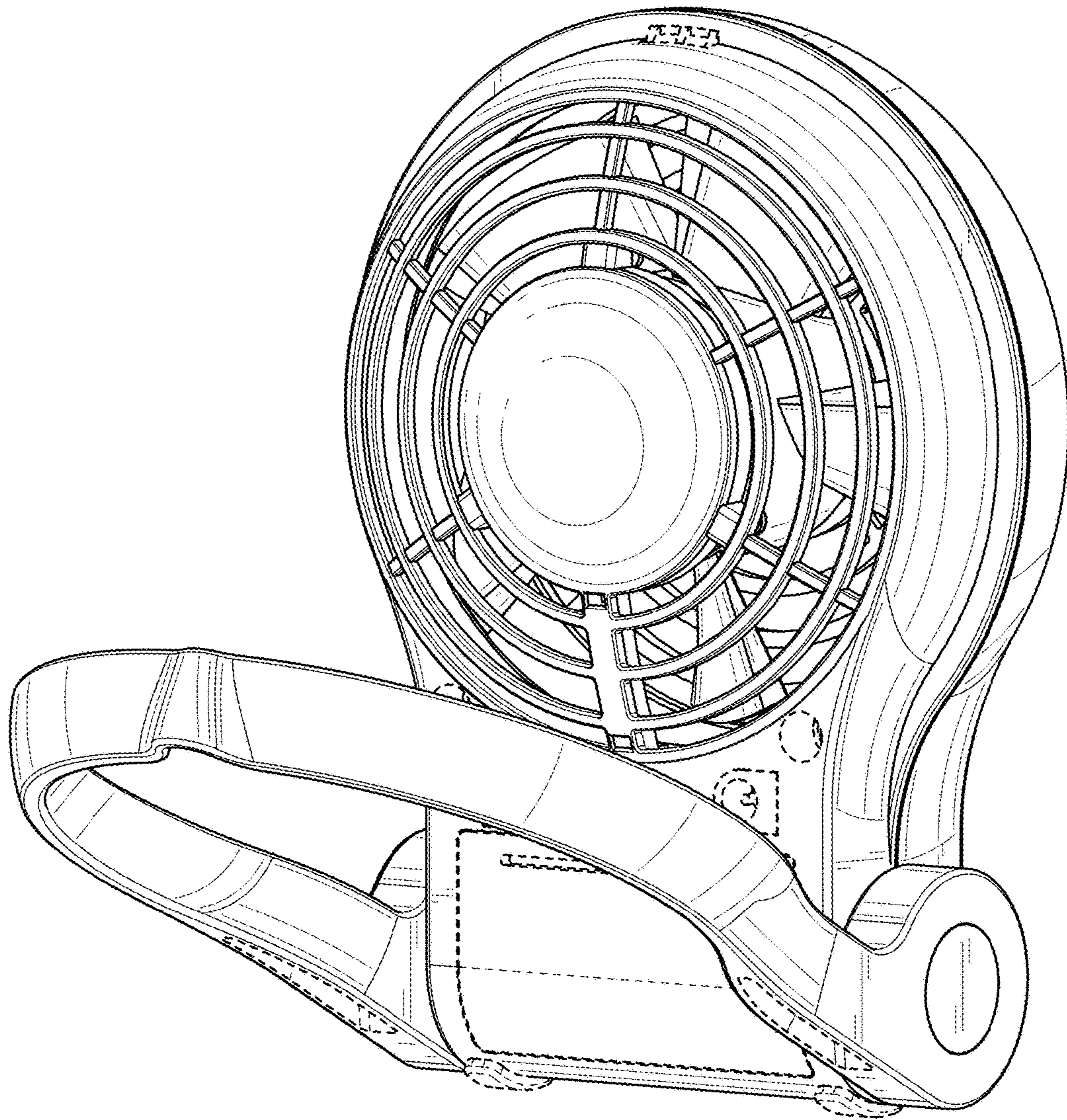


FIG. 9

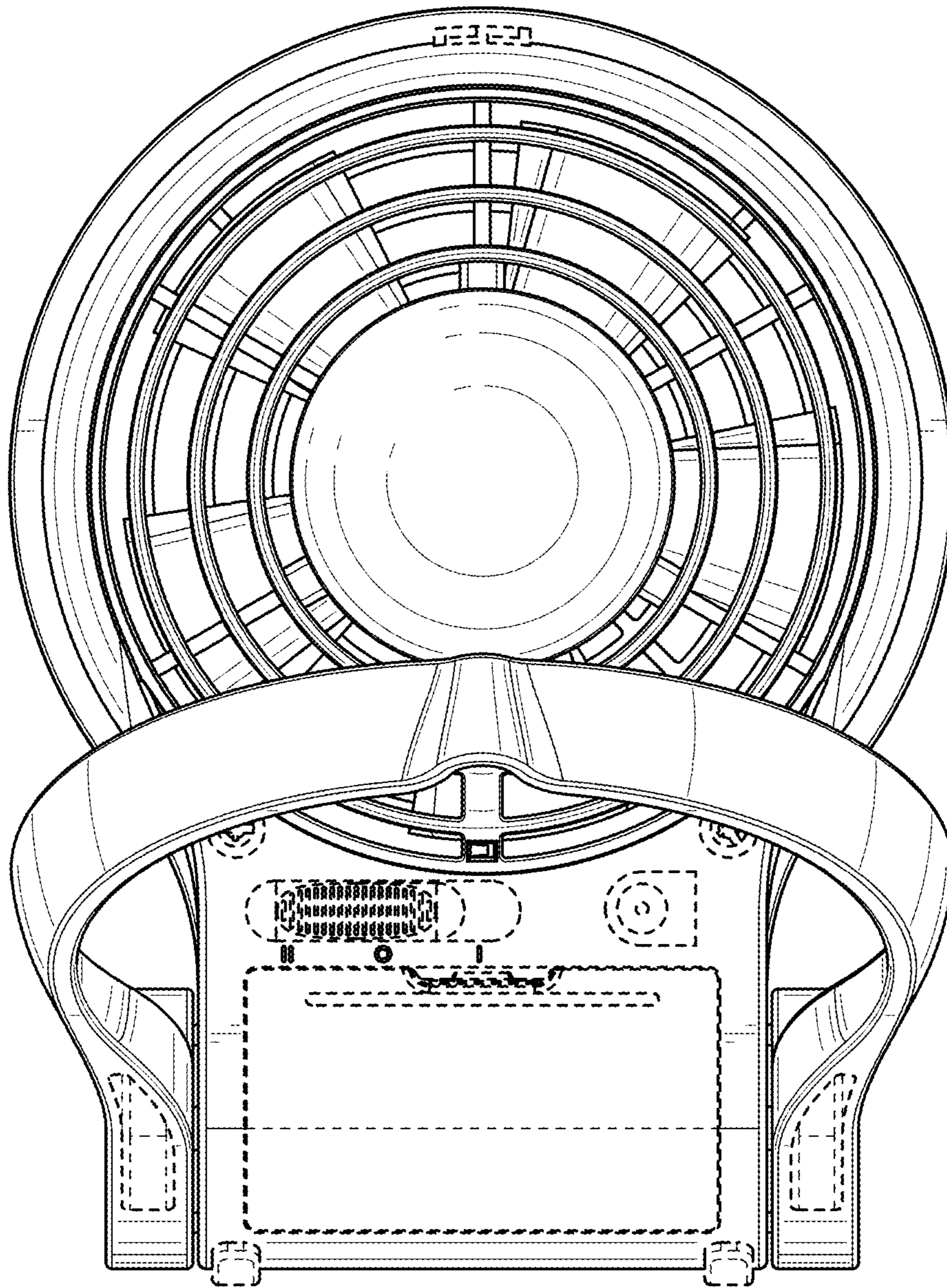


FIG. 10