



US00D825043S

(12) **United States Design Patent** (10) **Patent No.:** **US D825,043 S**
Mesun et al. (45) **Date of Patent:** **** Aug. 7, 2018**

- (54) **TOILET**
- (71) Applicant: **Kohler Co.**, Kohler, WI (US)
- (72) Inventors: **Randy O. Mesun**, Sheboygan, WI (US); **Simon Mark Bickerstaffe**, Clevedon (GB); **Ronald L. Smies**, Oostburg, WI (US); **Robert S. Davis**, Grafton, WI (US)
- (73) Assignee: **KOHLER CO.**, Kohler, WI (US)
- (**) Term: **15 Years**
- (21) Appl. No.: **29/607,281**
- (22) Filed: **Jun. 12, 2017**

D507,822 S	7/2005	Bucher	
D531,288 S	10/2006	Soulier	
D531,714 S	11/2006	Soulier	
D536,428 S	2/2007	Kohler, Jr. et al.	
D536,771 S	2/2007	Chenesseau	
D556,301 S	11/2007	Lin	
D578,620 S	10/2008	Zou	
D586,895 S	2/2009	Kergoet	
D601,233 S	9/2009	Kergoet	
D602,137 S	10/2009	Kergoet	
D603,028 S	10/2009	Kergoet	
D637,702 S	5/2011	Rexach	
D656,229 S *	3/2012	Wang	D23/295
D658,278 S *	4/2012	Wang	D23/295
D672,019 S *	12/2012	Bucher	D23/301

(Continued)

Related U.S. Application Data

- (62) Division of application No. 29/556,396, filed on Feb. 29, 2016, now Pat. No. Des. 797,911.
- (51) **LOC (11) Cl.** **23-02**
- (52) **U.S. Cl.**
USPC **D23/309**
- (58) **Field of Classification Search**
USPC D23/295-301, 303, 309, 313
CPC A47K 11/02; A47K 11/026; A47K 11/00;
A47K 13/00; E03D 11/18; E03D 5/10;
E03D 13/00
See application file for complete search history.

References Cited

U.S. PATENT DOCUMENTS

D310,558 S	9/1990	Kohler, Jr. et al.
D379,217 S	5/1997	Kergoet
D390,933 S	2/1998	Slothower
D412,742 S	8/1999	Soulier
D455,202 S	4/2002	Soulier
D455,477 S	4/2002	Soulier
D471,621 S	3/2003	Bennie
D502,765 S	3/2005	Bucher

OTHER PUBLICATIONS

NPL Toilets from Kohler 2016 Fixtures Catalog, pp. 314-347.

Primary Examiner — Brandon M Rosati

Assistant Examiner — John A Voytek

(74) *Attorney, Agent, or Firm* — Foley & Lardner LLP

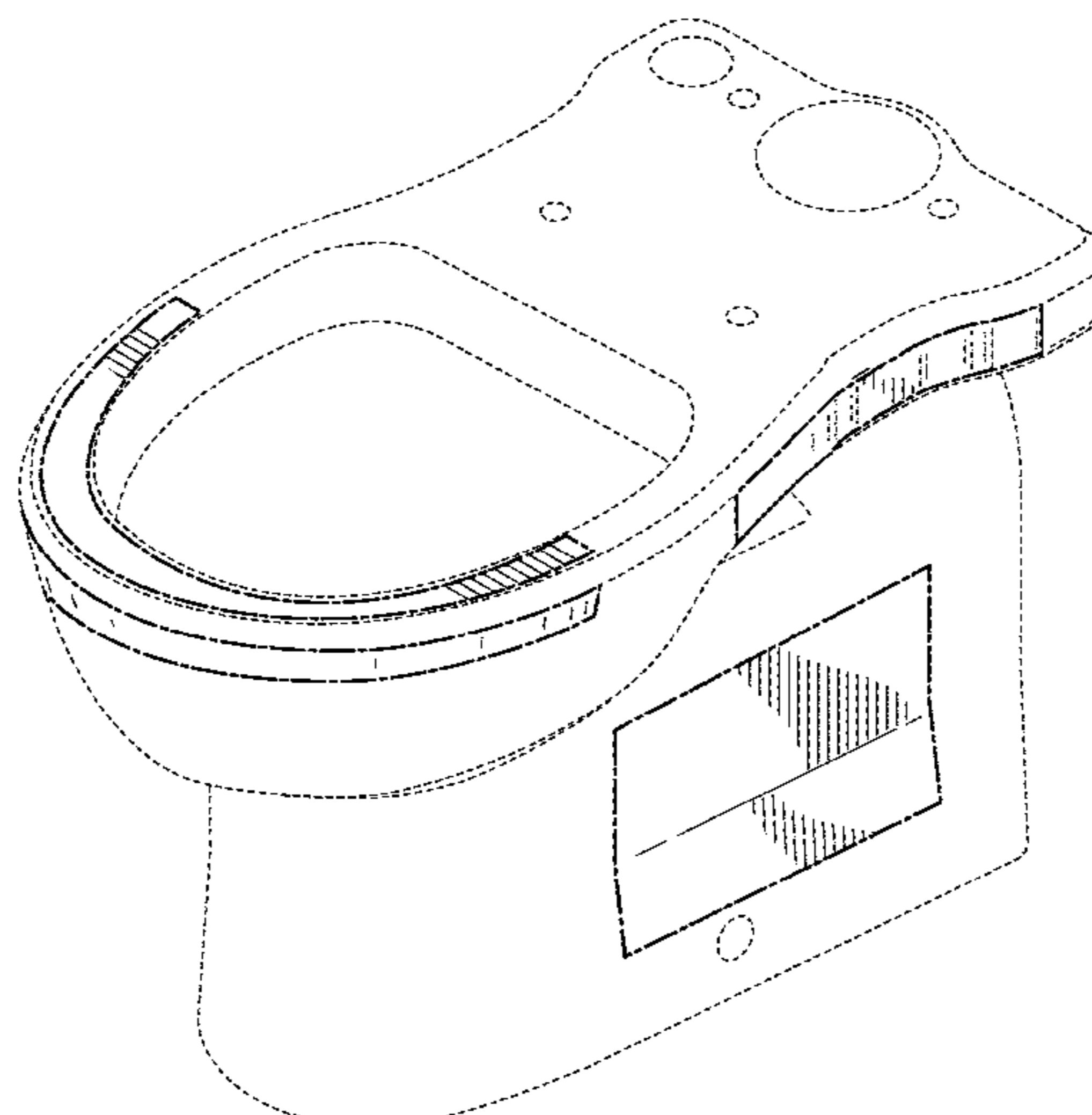
(57) **CLAIM**

We claim the ornamental design for a toilet, as shown and described.

DESCRIPTION

FIG. 1 is a perspective view of a toilet;
 FIG. 2 is a front view of the toilet shown in FIG. 1;
 FIG. 3 is a rear view of the toilet shown in FIG. 1;
 FIG. 4 is a side view of the toilet shown in FIG. 1;
 FIG. 5 is another side view of the toilet shown in FIG. 1;
 FIG. 6 is a top view of the toilet shown in FIG. 1; and,
 FIG. 7 is a bottom view of the toilet shown in FIG. 1.
 In the drawings, the broken lines depict environmental subject matter only and form no part of the claimed design. The dot and dashed lines indicate a boundary between the claimed and unclaimed portion of the design.

1 Claim, 7 Drawing Sheets



(56)

References Cited

U.S. PATENT DOCUMENTS

D690,402 S * 9/2013 Bates D23/301
D725,248 S 3/2015 Bates
D797,911 S * 9/2017 Mesun D23/301

* cited by examiner

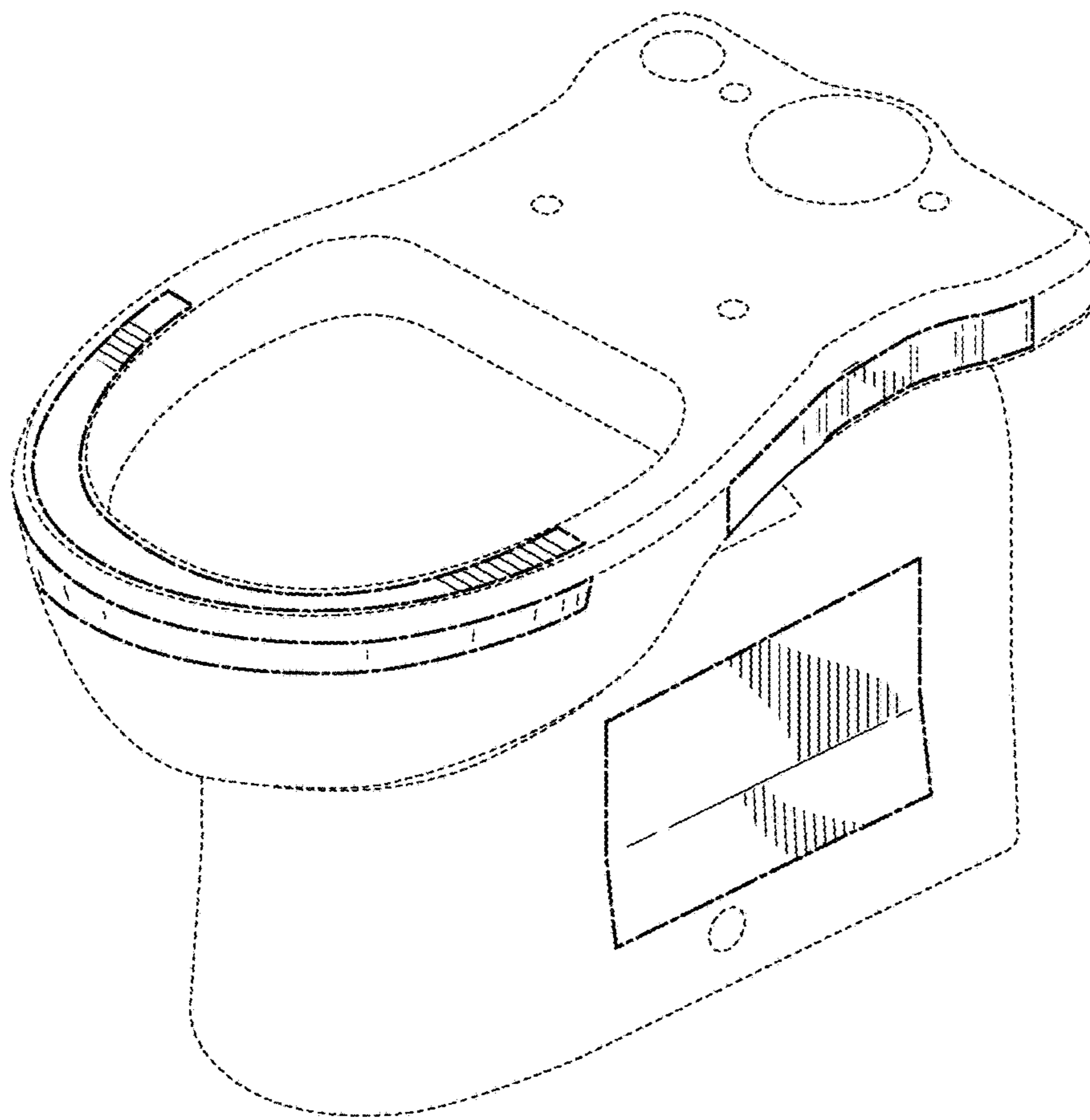


FIG. 1

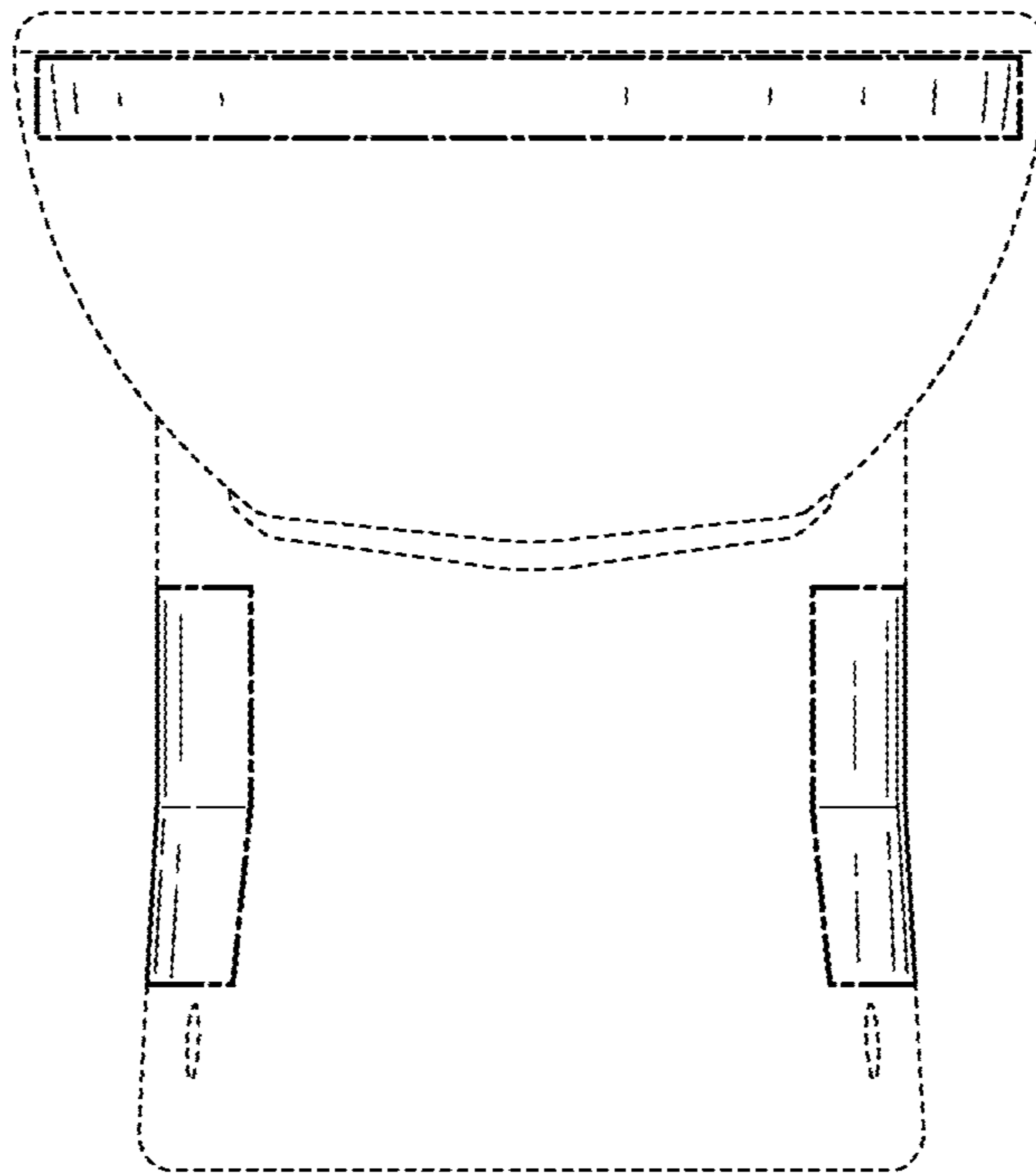


FIG. 2

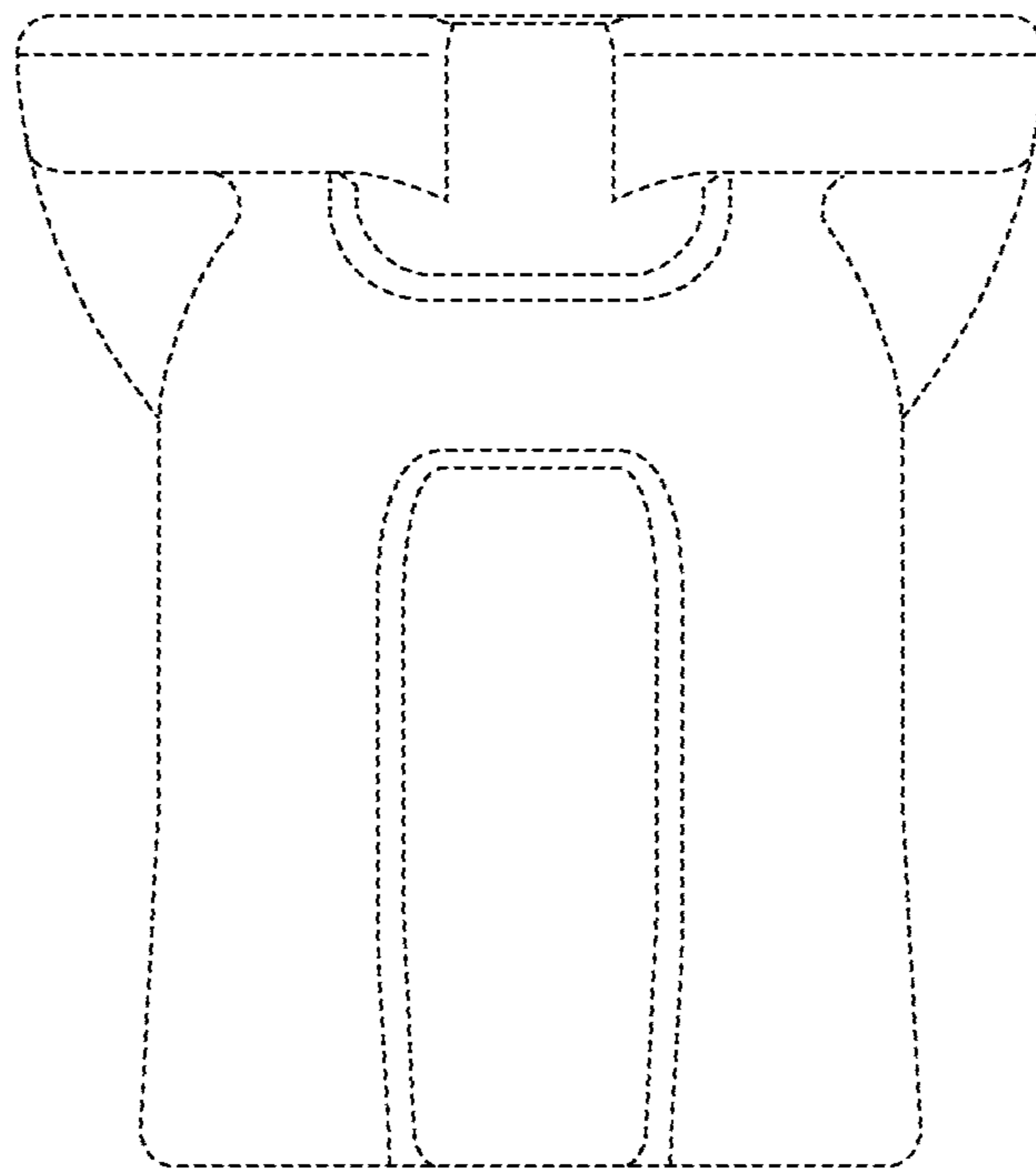


FIG. 3

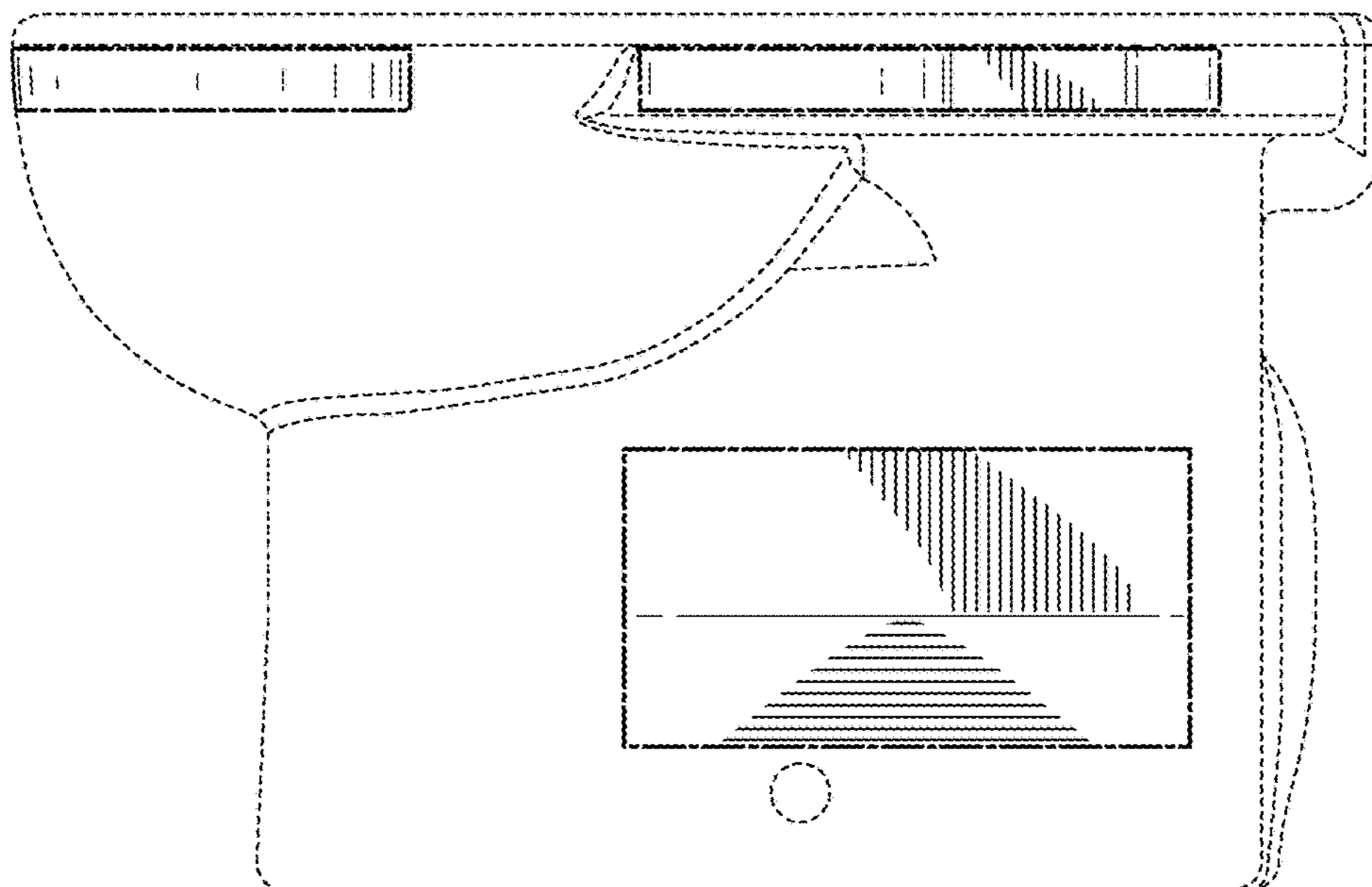


FIG. 4

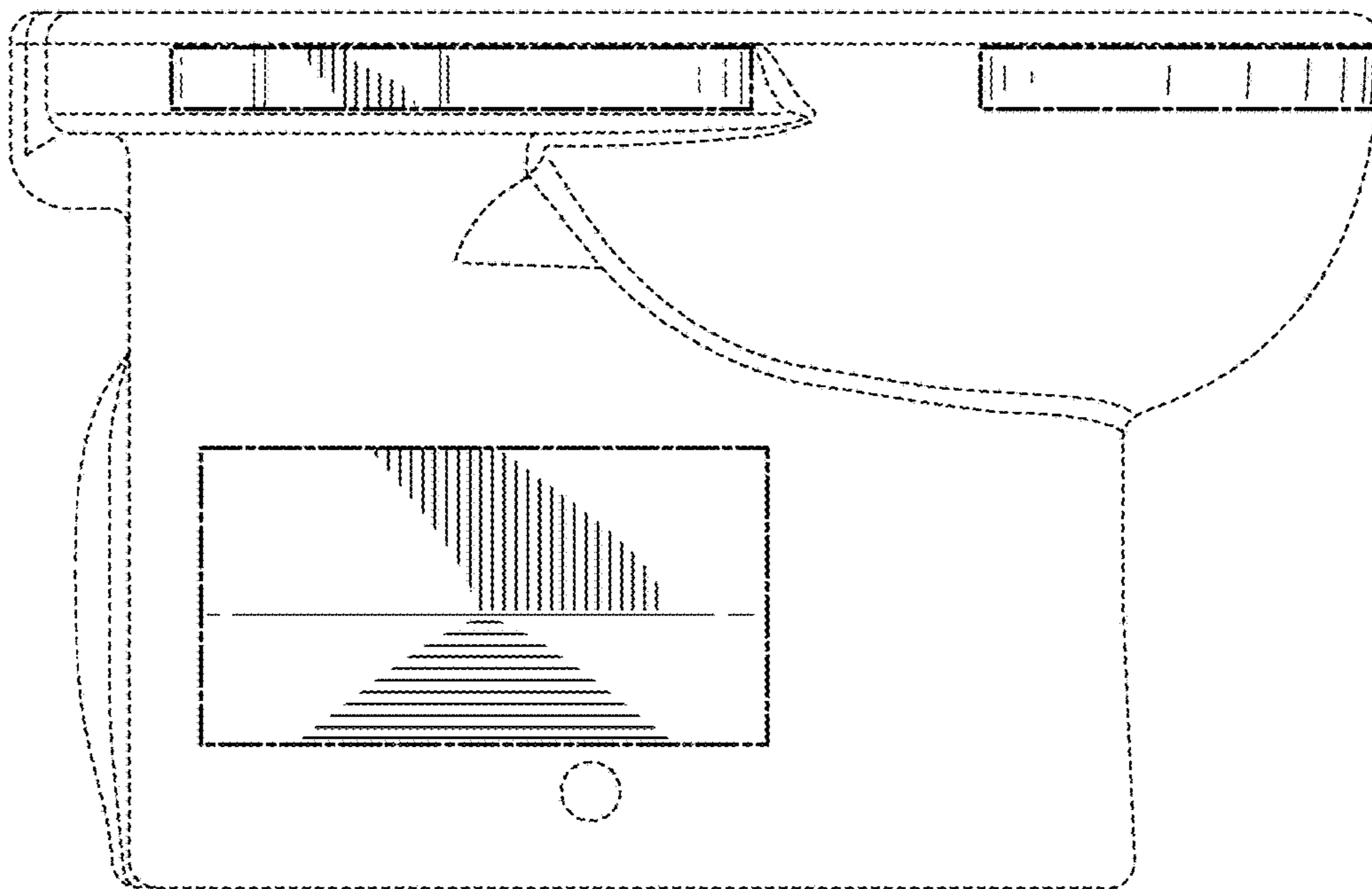


FIG. 5

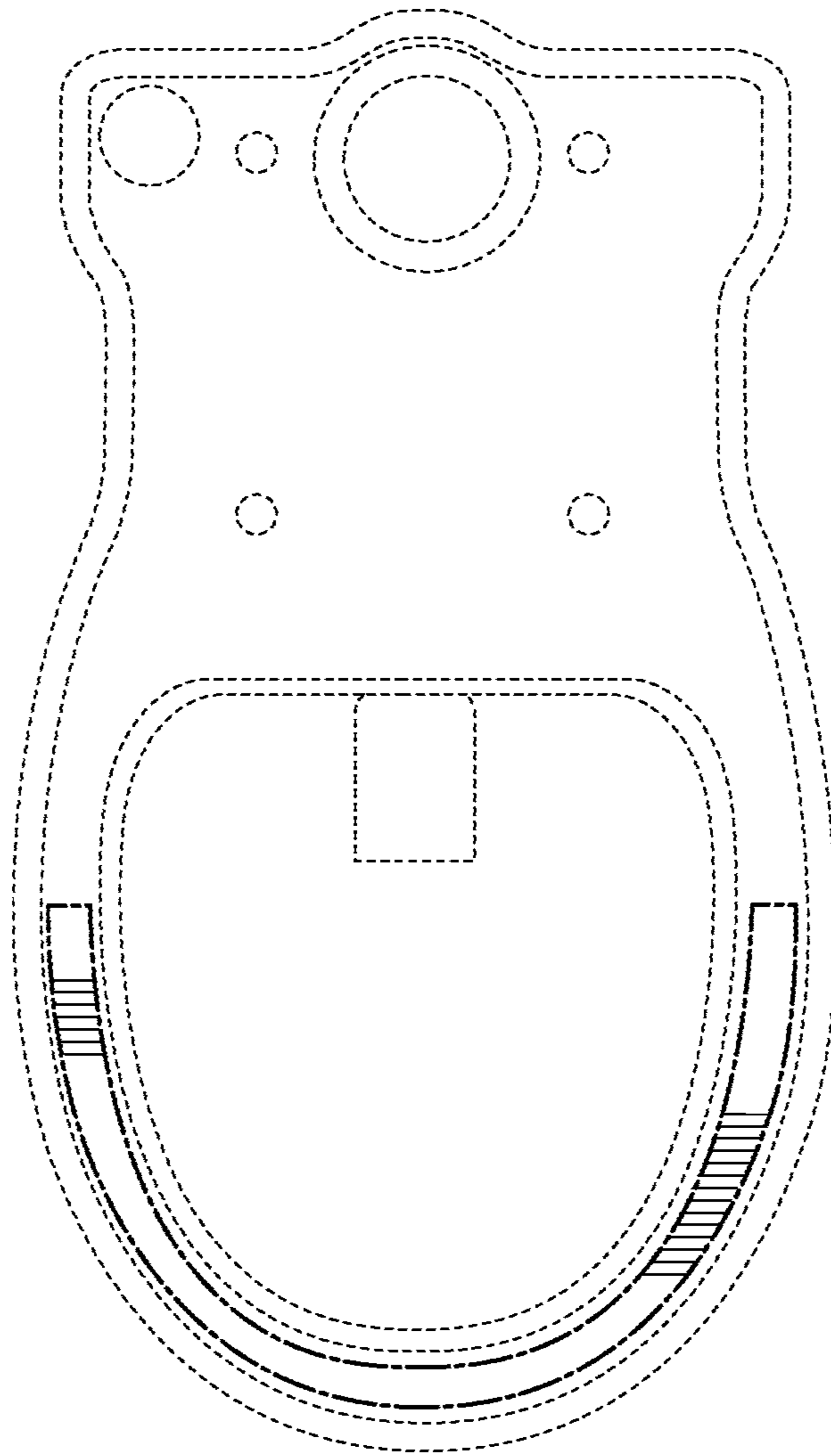


FIG. 6

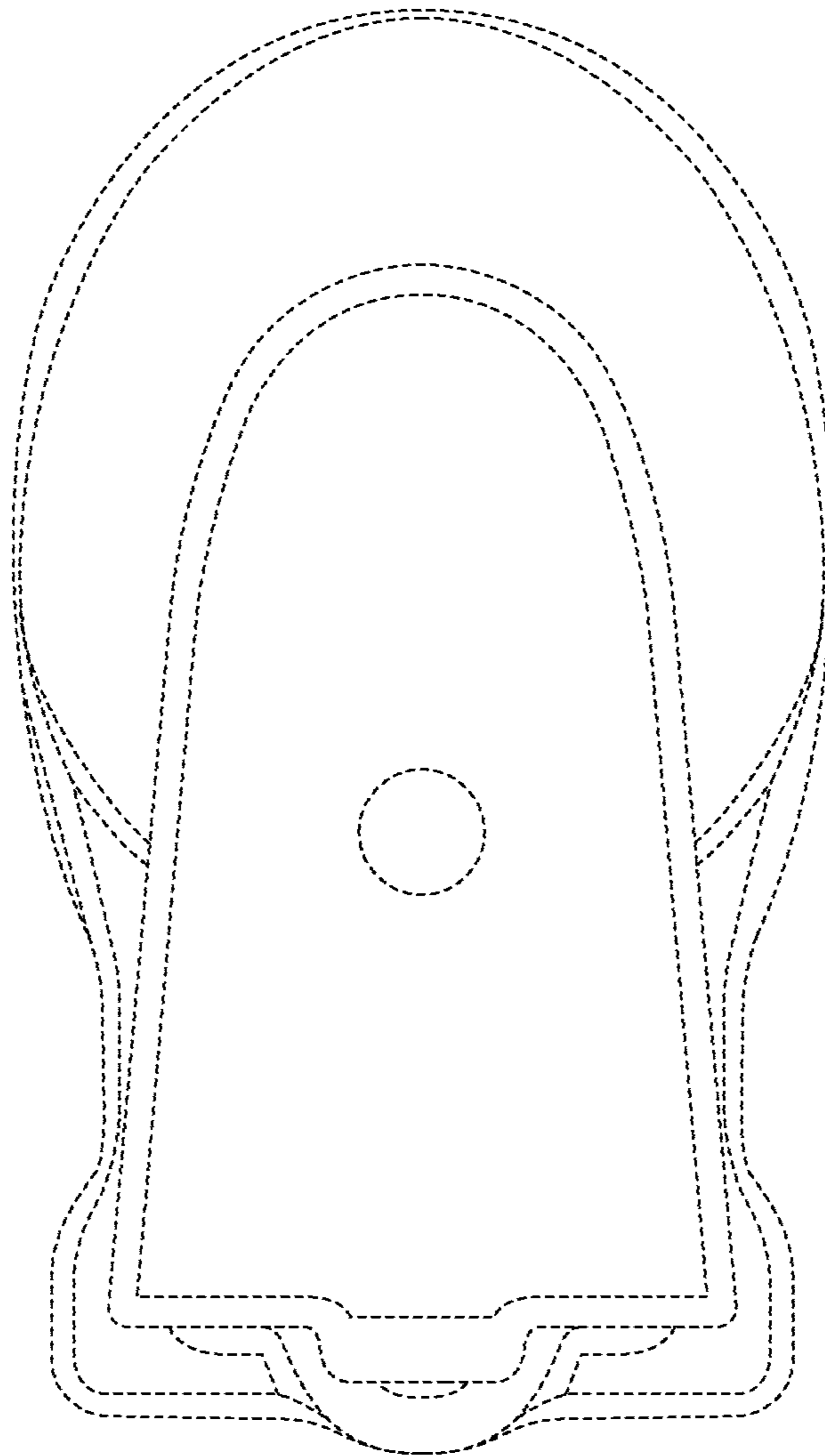


FIG. 7