



US00D825042S

(12) **United States Design Patent** (10) **Patent No.:** **US D825,042 S**
Mesun et al. (45) **Date of Patent:** **** Aug. 7, 2018**

(54) **TOILET**
 (71) Applicant: **Kohler Co.**, Kohler, WI (US)
 (72) Inventors: **Randy O. Mesun**, Sheboygan, WI (US); **Simon Mark Bickerstaffe**, Clevedon (GB); **Ronald L. Smies**, Oostburg, WI (US); **Robert S. Davis**, Grafton, WI (US)
 (73) Assignee: **KOHLER CO.**, Kohler, WI (US)
 (**) Term: **15 Years**

D476,601 S 6/2003 Singla Palacin
 D502,765 S 3/2005 Bucher
 D507,822 S 7/2005 Bucher
 D520,614 S 5/2006 Tani
 D531,714 S 11/2006 Soulier
 D536,428 S 2/2007 Kohler, Jr. et al.
 D536,771 S * 2/2007 Chenesseau D23/295
 D558,313 S * 12/2007 Igarashi D23/295
 D578,621 S 10/2008 Lee
 D586,895 S 2/2009 Kergoet
 D601,233 S 9/2009 Kergoet
 D602,137 S 10/2009 Kergoet
 D603,028 S 10/2009 Kergoet
 D637,702 S 5/2011 Rexach

(Continued)

(21) Appl. No.: **29/607,279**
 (22) Filed: **Jun. 12, 2017**

Related U.S. Application Data

(62) Division of application No. 29/556,393, filed on Feb. 29, 2016, now Pat. No. Des. 798,425.
 (51) **LOC (11) Cl.** **23-02**
 (52) **U.S. Cl.**
 USPC **D23/309**
 (58) **Field of Classification Search**
 USPC D23/295-301, 303, 309, 313
 CPC A47K 11/02; A47K 11/026; A47K 11/00;
 A47K 13/00; E03D 11/18; E03D 5/10;
 E03D 13/00
 See application file for complete search history.

(56) **References Cited**

U.S. PATENT DOCUMENTS

D273,701 S * 5/1984 Bengtson D23/300
 D310,558 S 9/1990 Kohler, Jr. et al.
 D379,217 S 5/1997 Kergoet
 D390,933 S 2/1998 Slothower
 D412,742 S 8/1999 Soulier
 D455,202 S 4/2002 Soulier
 D455,477 S 4/2002 Soulier
 D471,621 S 3/2003 Bennie

OTHER PUBLICATIONS

Toilets from Kohler 2016 Fixtures Catalog, pp. 314-347; 34 pages.

Primary Examiner — Brandon M Rosati

Assistant Examiner — John A Voytek

(74) *Attorney, Agent, or Firm* — Foley & Lardner LLP

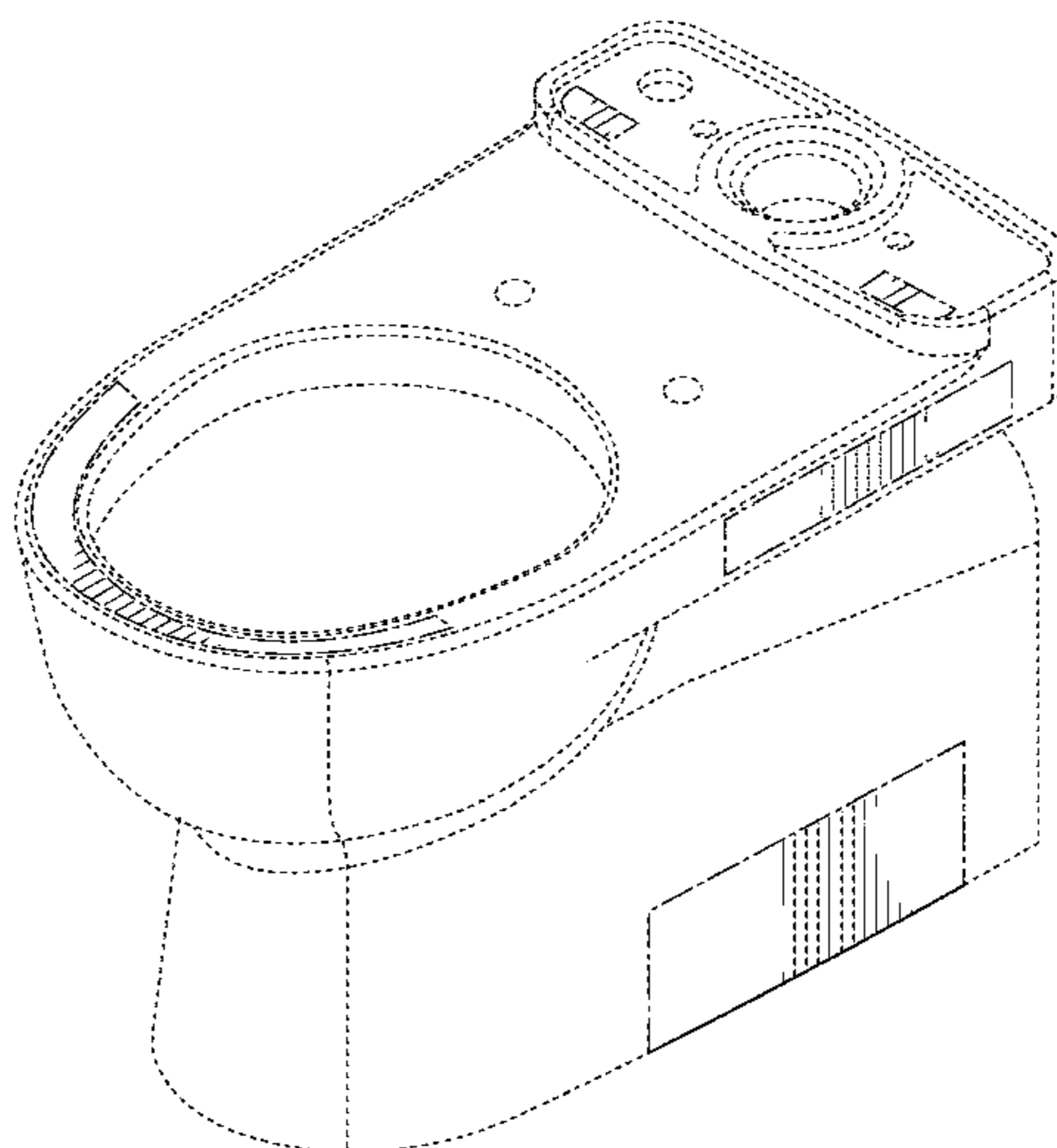
(57) **CLAIM**

We claim the ornamental design for a toilet, as shown and described.

DESCRIPTION

FIG. 1 is a perspective view of a toilet;
 FIG. 2 is a front view of the toilet shown in FIG. 1;
 FIG. 3 is a rear view of the toilet shown in FIG. 1;
 FIG. 4 is a side view of the toilet shown in FIG. 1;
 FIG. 5 is another side view of the toilet shown in FIG. 1;
 FIG. 6 is a top view of the toilet shown in FIG. 1; and,
 FIG. 7 is a bottom view of the toilet shown in FIG. 1.
 In the drawings, the broken lines depict environmental subject matter only and form no part of the claimed design. The dot and dashed lines indicate a boundary between the claimed and unclaimed portion of the design.

1 Claim, 7 Drawing Sheets



(56)

References Cited

U.S. PATENT DOCUMENTS

D652,493	S	1/2012	Bucher	
D656,229	S *	3/2012	Wang	D23/295
D688,356	S	8/2013	Mendoza	
D702,331	S *	4/2014	Garland	D23/295
D702,819	S	4/2014	Garland	
D725,248	S	3/2015	Bates	
D743,516	S	11/2015	Bates	
D784,502	S *	4/2017	Bates	D23/309
D797,911	S *	9/2017	Mesun	D23/301
D798,425	S *	9/2017	Mesun	D23/301
D800,281	S *	10/2017	Bahler	D23/301
D807,479	S *	1/2018	Chuk	D23/301

* cited by examiner

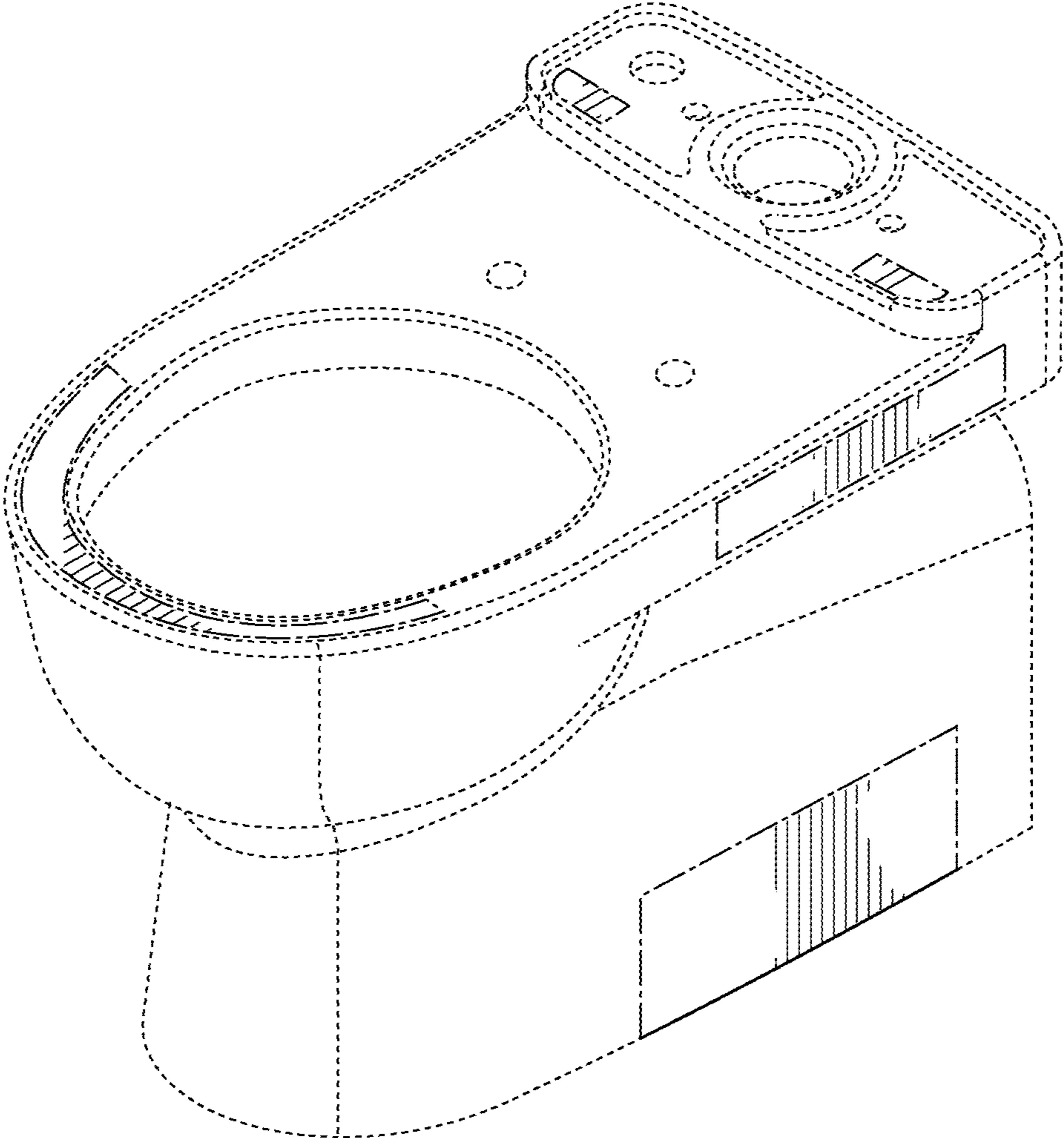


FIG. 1

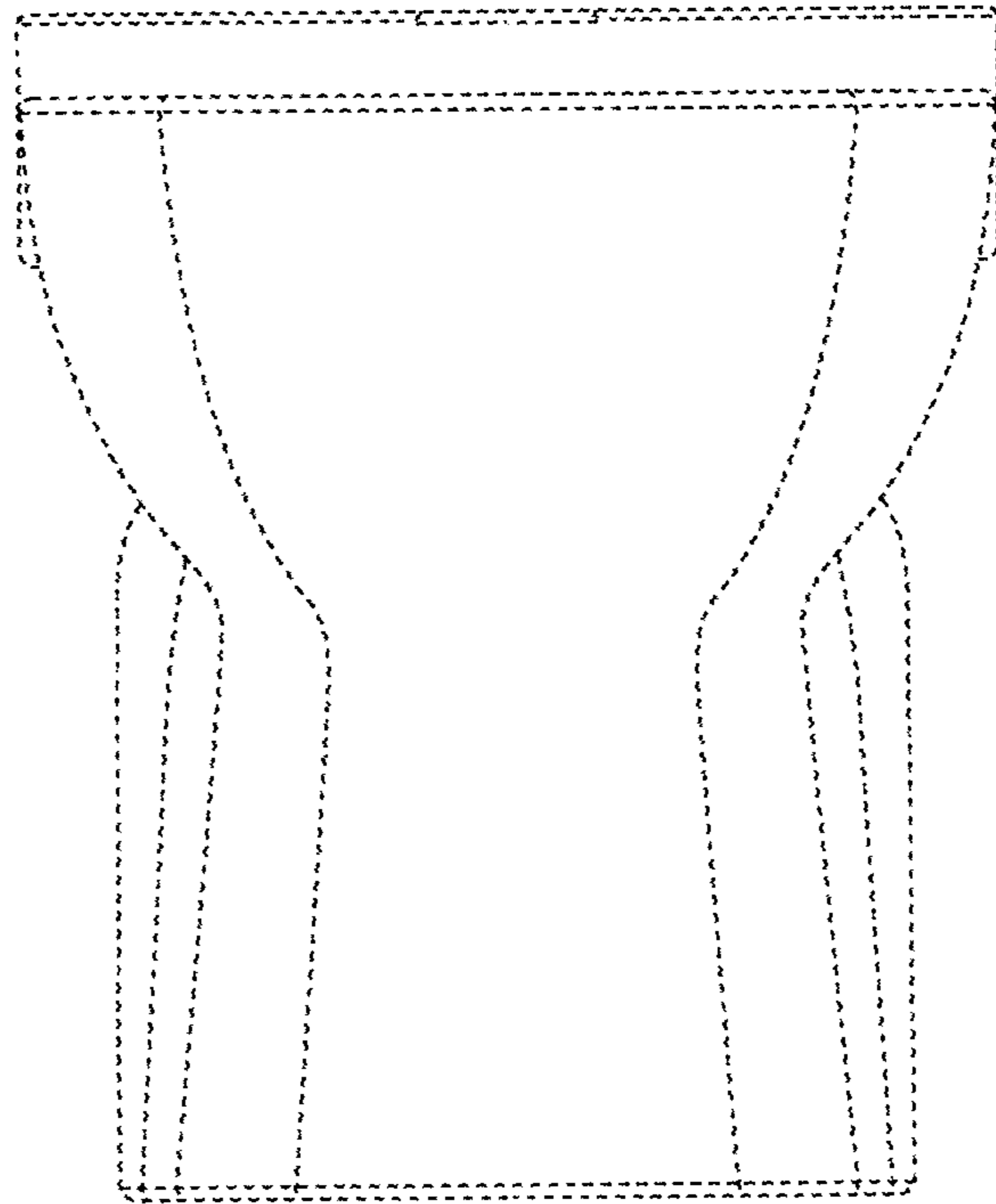


FIG. 2

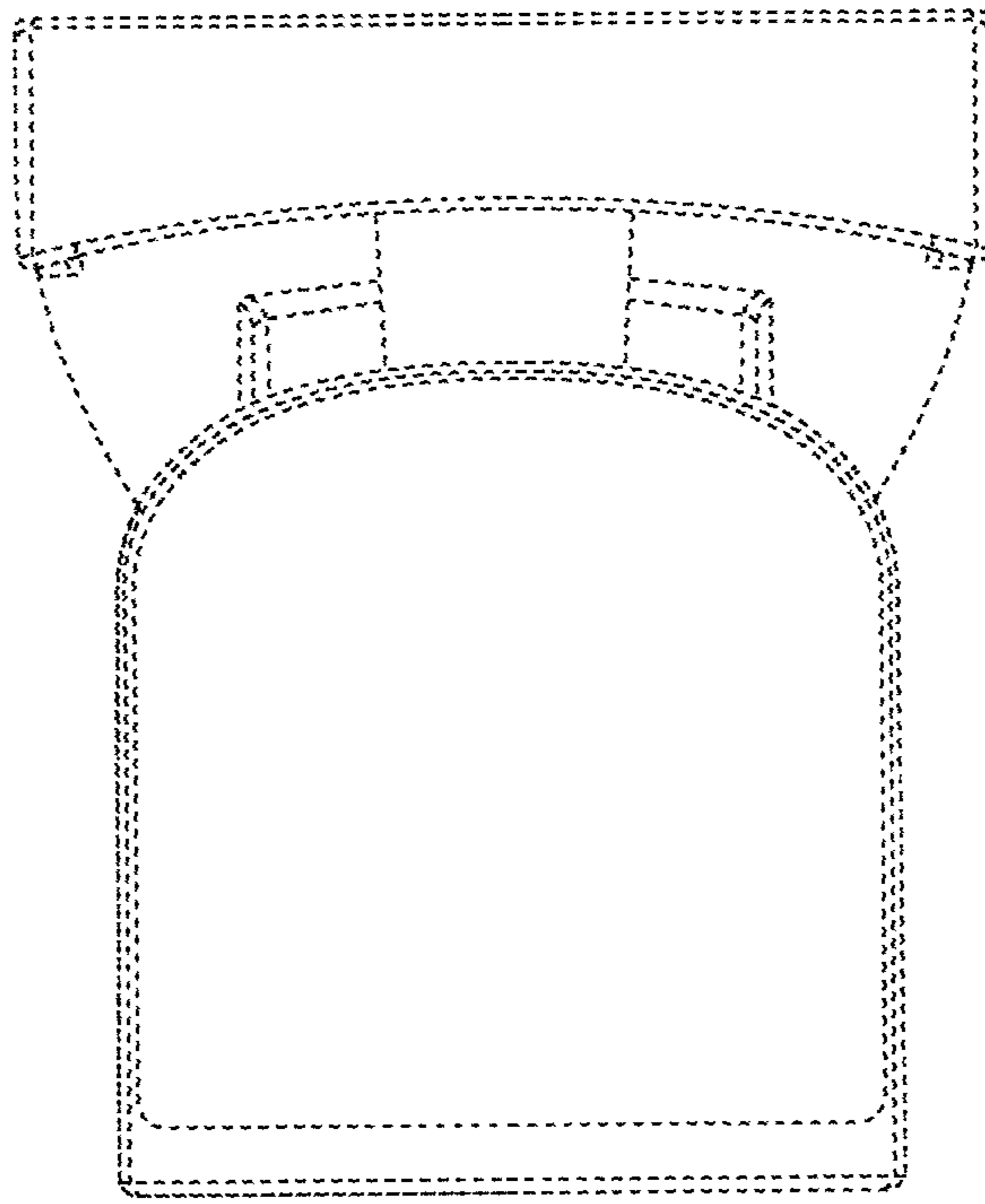


FIG. 3

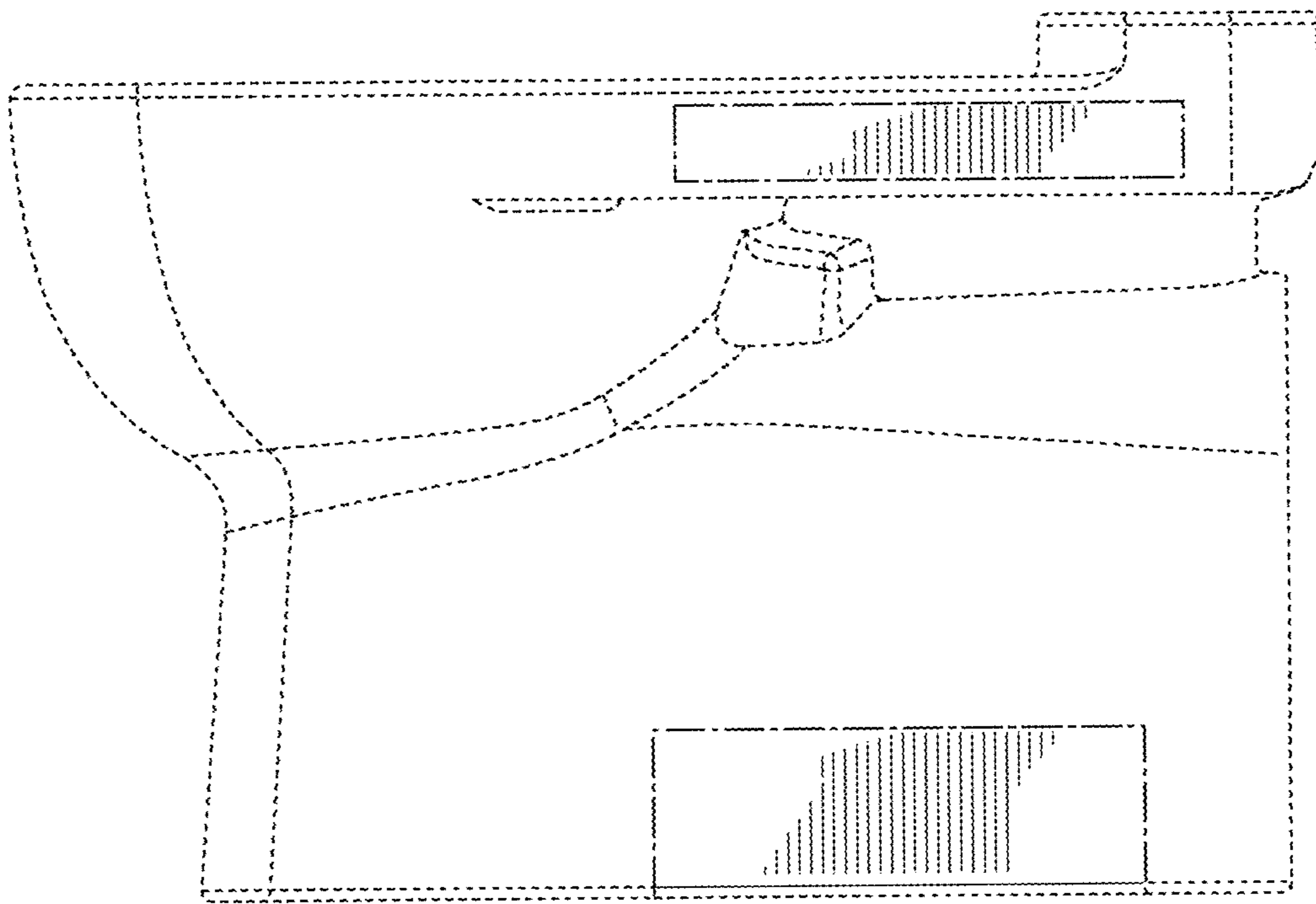


FIG. 4

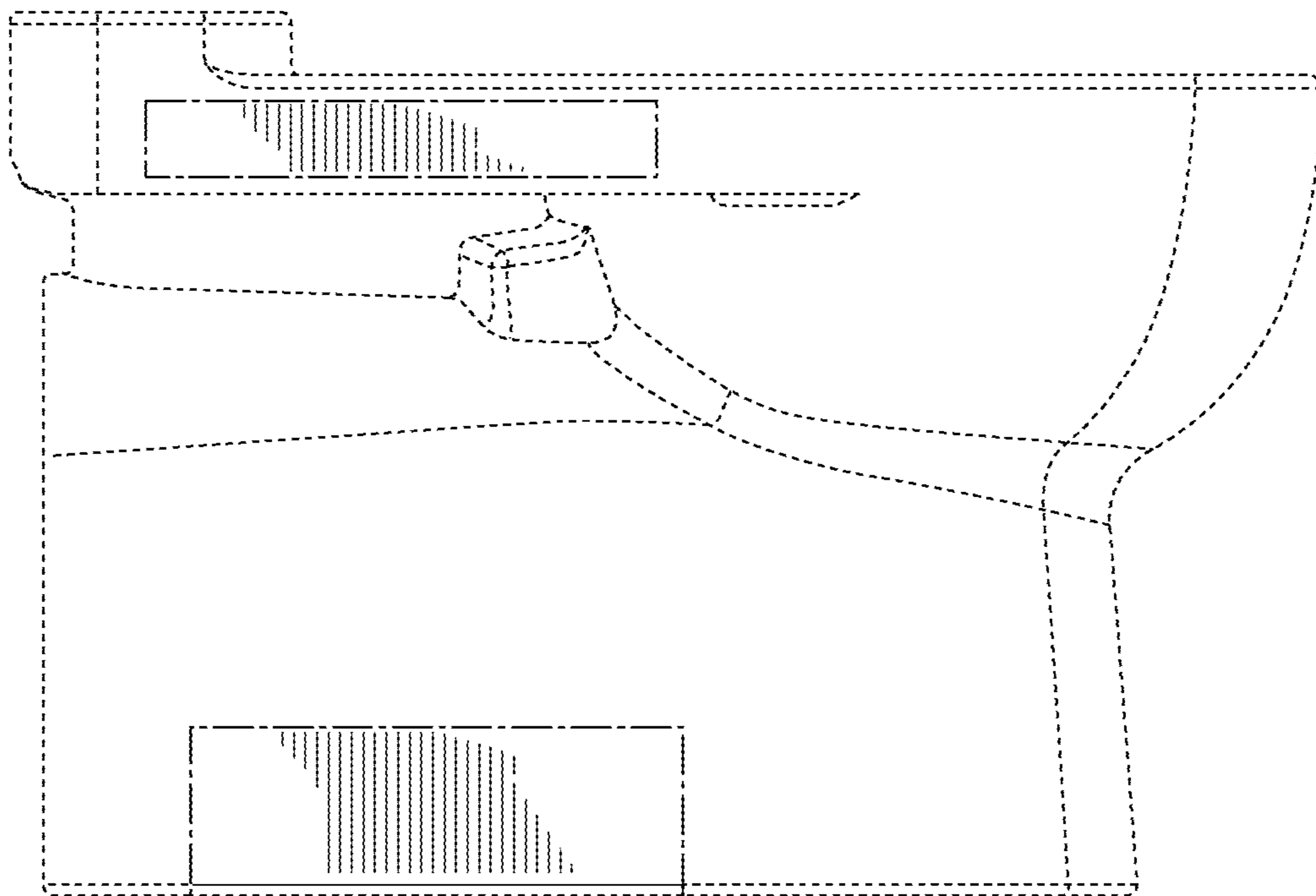


FIG. 5

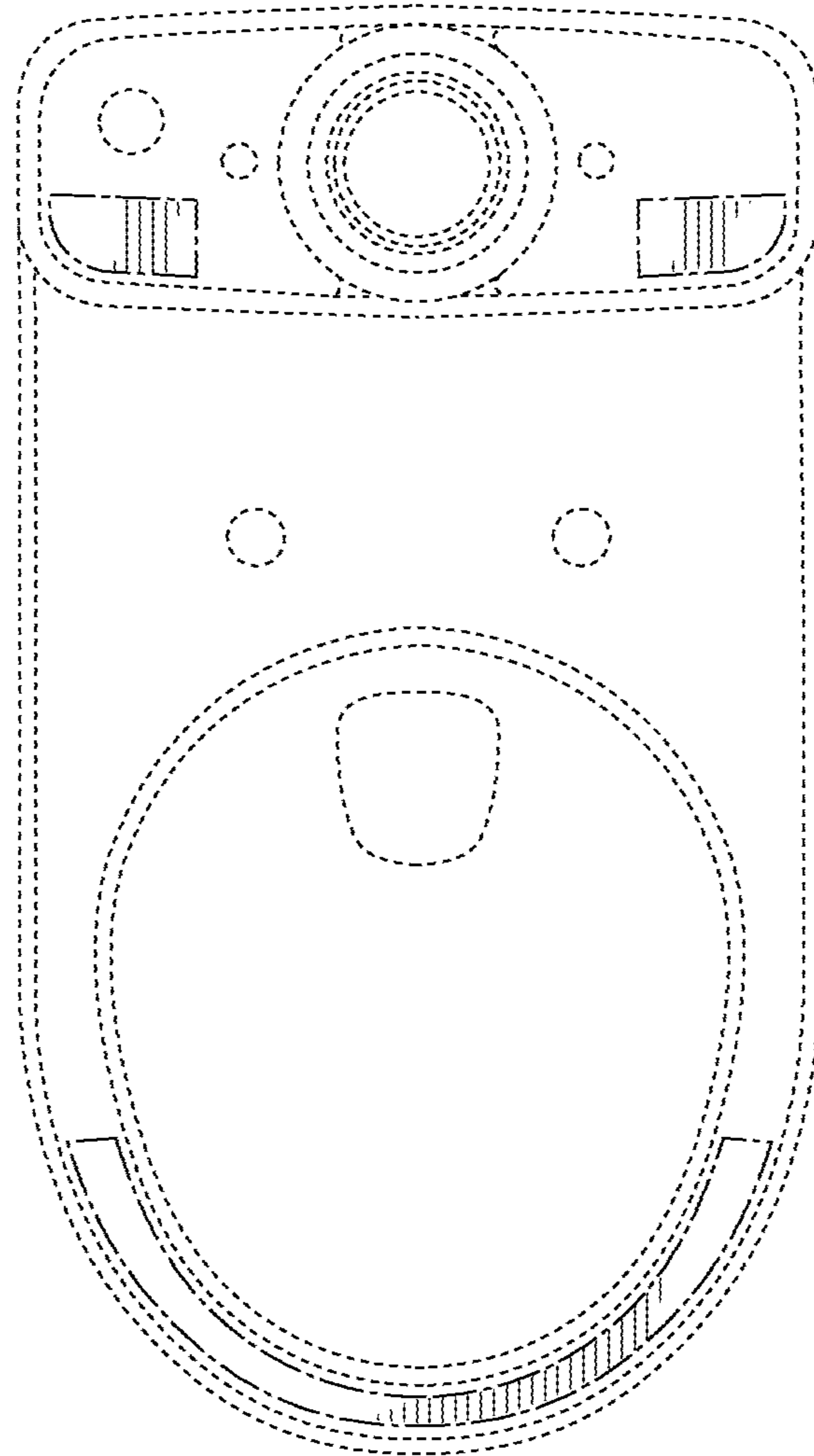


FIG. 6

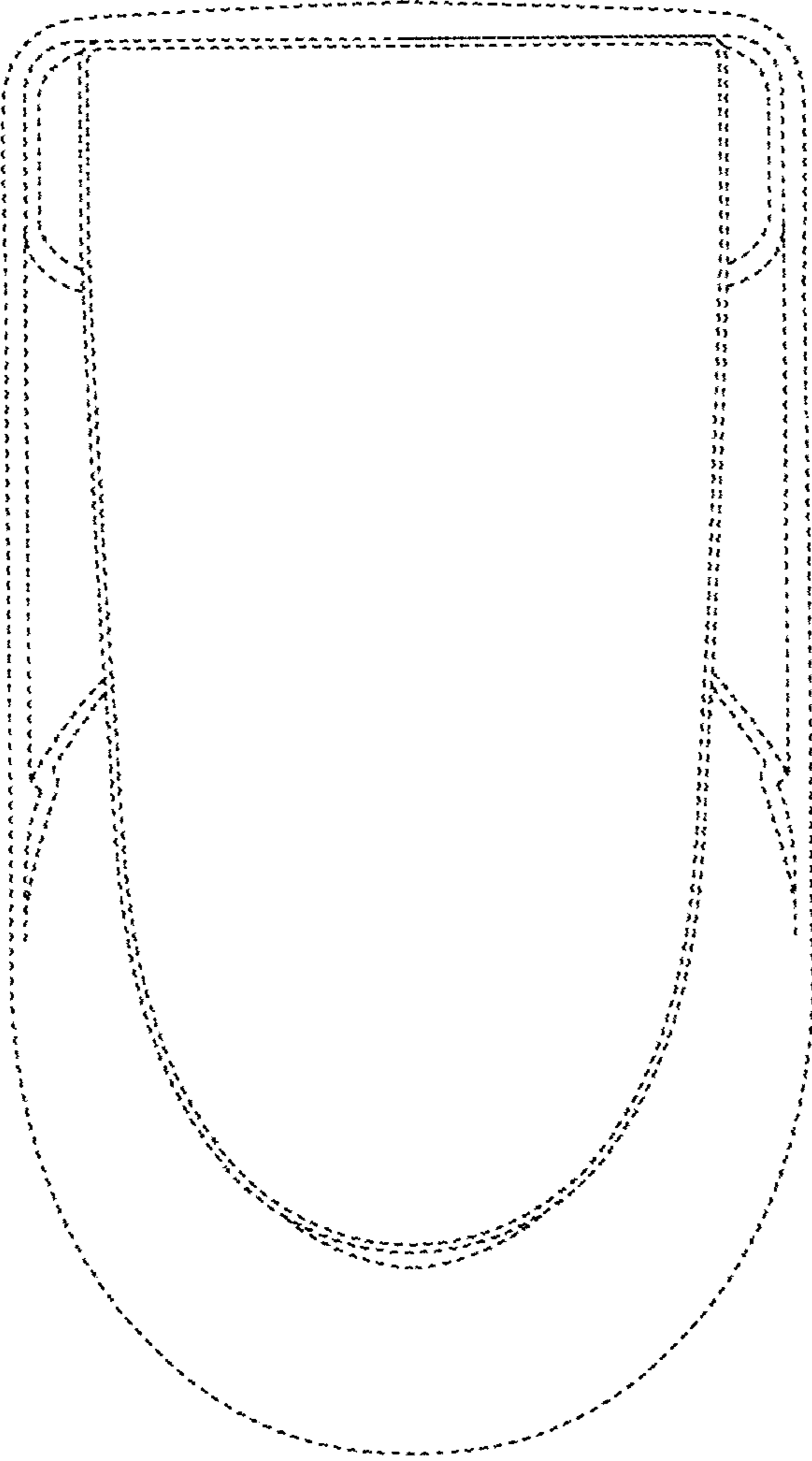


FIG. 7