



US00D825039S

(12) **United States Design Patent**
Corpuz

(10) **Patent No.:** **US D825,039 S**
(45) **Date of Patent:** **** Aug. 7, 2018**

(54) **SINK**

DESCRIPTION

- (71) Applicant: **Kohler Co.**, Kohler, WI (US)
- (72) Inventor: **Roque Corpuz**, Sheboygan, WI (US)
- (73) Assignee: **KOHLER CO.**, Kohler, WI (US)
- (**) Term: **15 Years**
- (21) Appl. No.: **29/597,272**
- (22) Filed: **Mar. 15, 2017**
- (51) **LOC (11) Cl.** **23-01**
- (52) **U.S. Cl.**
USPC **D23/293.1**
- (58) **Field of Classification Search**
USPC D23/284–293.1, 303, 308; D6/329, 573,
D6/657, 663–666, 671, 671.1, 671.4
CPC A47K 1/04; A47B 77/06; A47J 47/20
See application file for complete search history.

(56) **References Cited**

U.S. PATENT DOCUMENTS

5,029,721 A *	7/1991	Timpe	A47J 36/022 220/573.1
D624,992 S	10/2010	Maitre et al.	
D634,410 S *	3/2011	Palomba	D23/284
D645,124 S *	9/2011	Palomba	D23/284
D645,125 S *	9/2011	Palomba	D23/284
D685,498 S *	7/2013	Steinman	D24/216
D713,513 S *	9/2014	Chen	D23/284
D780,300 S *	2/2017	Flowers	D23/293.1

(Continued)

Primary Examiner — Lakiya G Rogers

Assistant Examiner — John A Voytek

(74) *Attorney, Agent, or Firm* — Foley & Lardner LLP

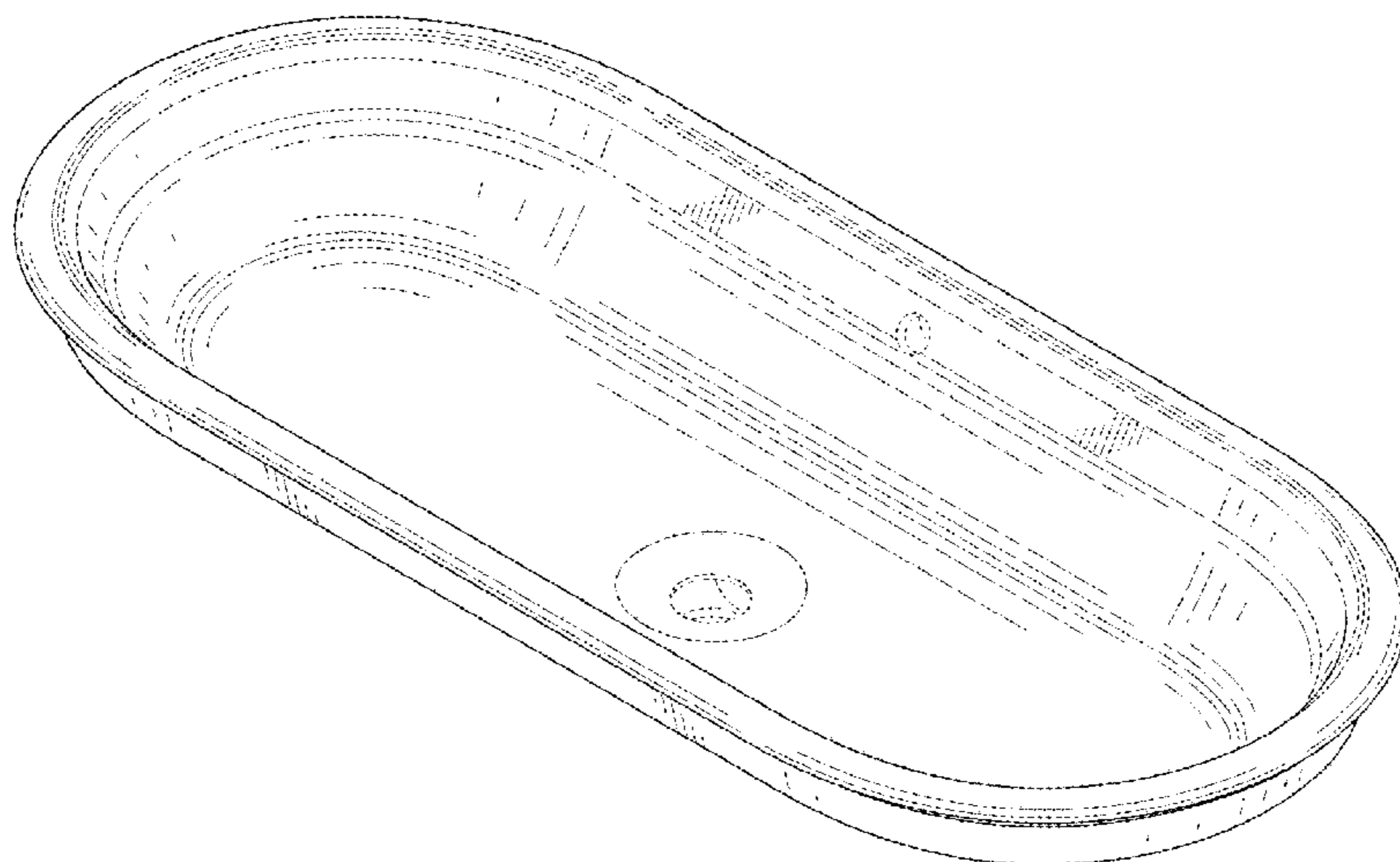
(57) **CLAIM**

I claim the ornamental design for a sink, as shown and described.

FIG. 1 is a top, front, right perspective view of an embodiment of the claimed design;
 FIG. 2 is a bottom, rear, right perspective view thereof;
 FIG. 3 is a front elevation view thereof;
 FIG. 4 is a rear elevation view thereof;
 FIG. 5 is a left side elevation view thereof;
 FIG. 6 is a right side elevation view thereof;
 FIG. 7 is a top plan view thereof;
 FIG. 8 is a bottom plan view thereof;
 FIG. 9 is a cross-sectional view thereof taken across line 9-9 of FIG. 7;
 FIG. 10 is a cross-sectional view thereof taken across line 10-10 of FIG. 7;
 FIG. 11 is a cross-sectional view thereof taken across line 11-11 of FIG. 7;
 FIG. 12 is a cross-sectional view thereof taken across line 12-12 of FIG. 7;
 FIG. 13 is a top, front, right perspective view of another embodiment of the claimed design;
 FIG. 14 is a bottom, rear, right perspective view thereof;
 FIG. 15 is a front elevation view thereof;
 FIG. 16 is a rear elevation view thereof;
 FIG. 17 is a left side elevation view thereof;
 FIG. 18 is a right side elevation view thereof;
 FIG. 19 is a top plan view thereof;
 FIG. 20 is a bottom plan view thereof;
 FIG. 21 is a cross-sectional view thereof taken across line 21-21 of FIG. 19;
 FIG. 22 is a cross-sectional view thereof taken across line 22-22 of FIG. 19;
 FIG. 23 is a cross-sectional view thereof taken across line 23-23 of FIG. 19; and,
 FIG. 24 is a cross-sectional view thereof taken across line 24-24 of FIG. 19.

In the drawings, the broken lines depict environmental subject matter only and form no part of the claimed design. The dot and dashed lines indicate a boundary between the claimed and unclaimed portion of the design.

1 Claim, 16 Drawing Sheets



(56)

References Cited

U.S. PATENT DOCUMENTS

2004/0089160 A1* 5/2004 Doundoulakis A47J 36/02
99/422
2008/0169294 A1* 7/2008 Liebzeit A47J 27/16
220/573.1

* cited by examiner

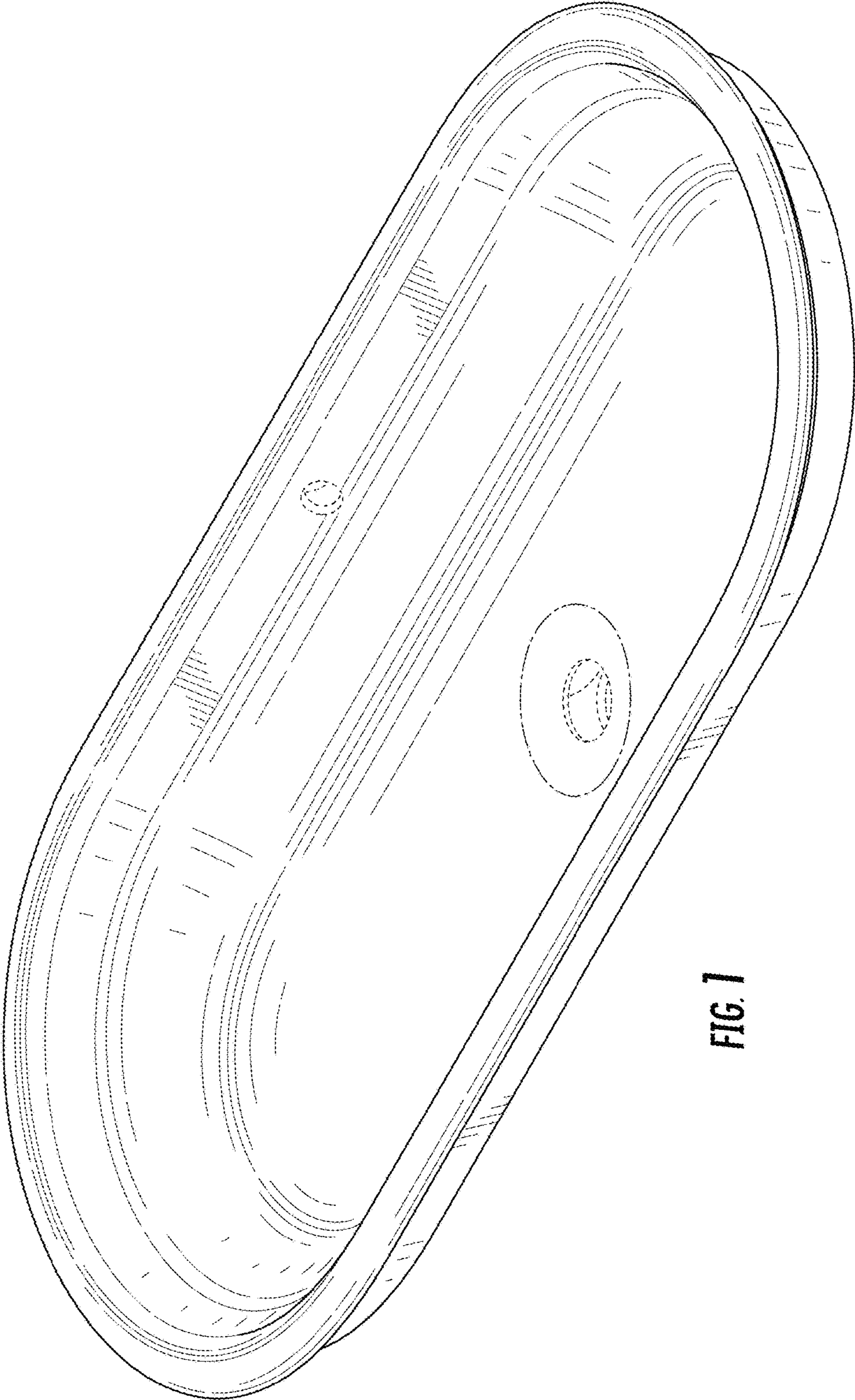


FIG. 1

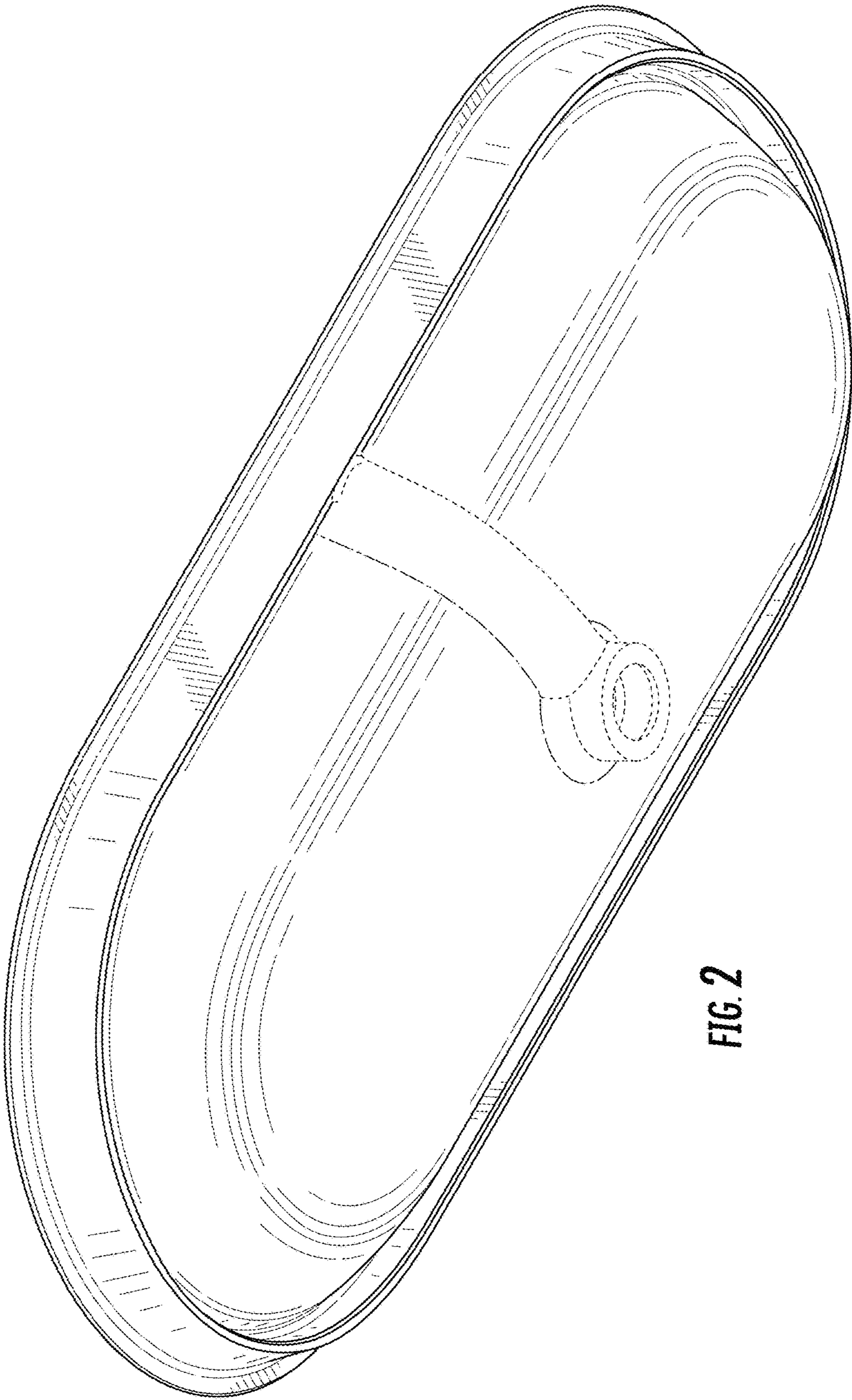


FIG. 2

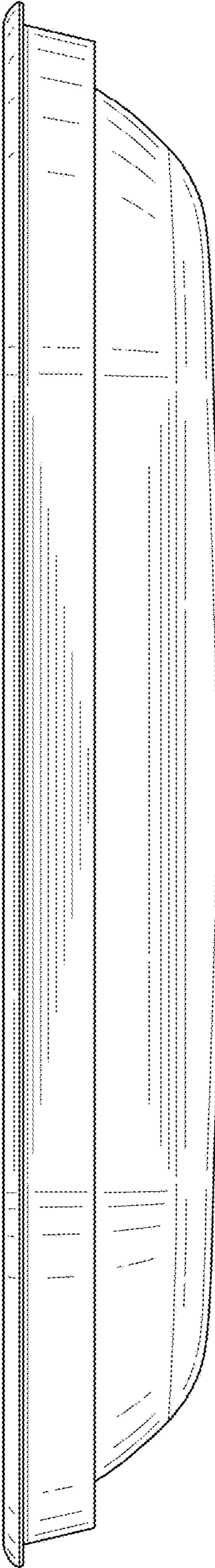


FIG. 3

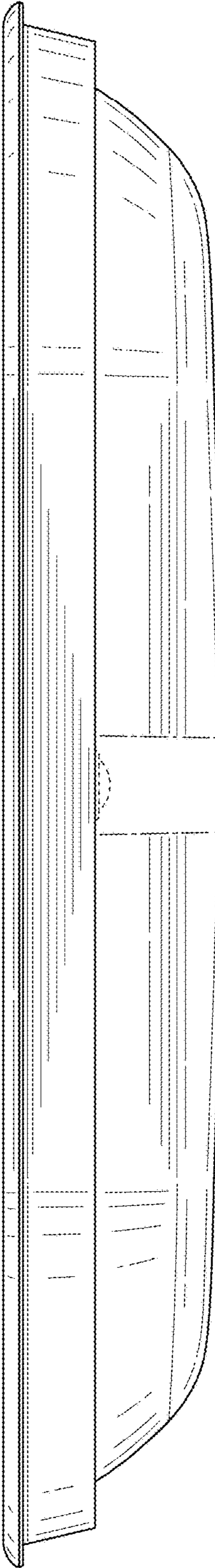


FIG. 4

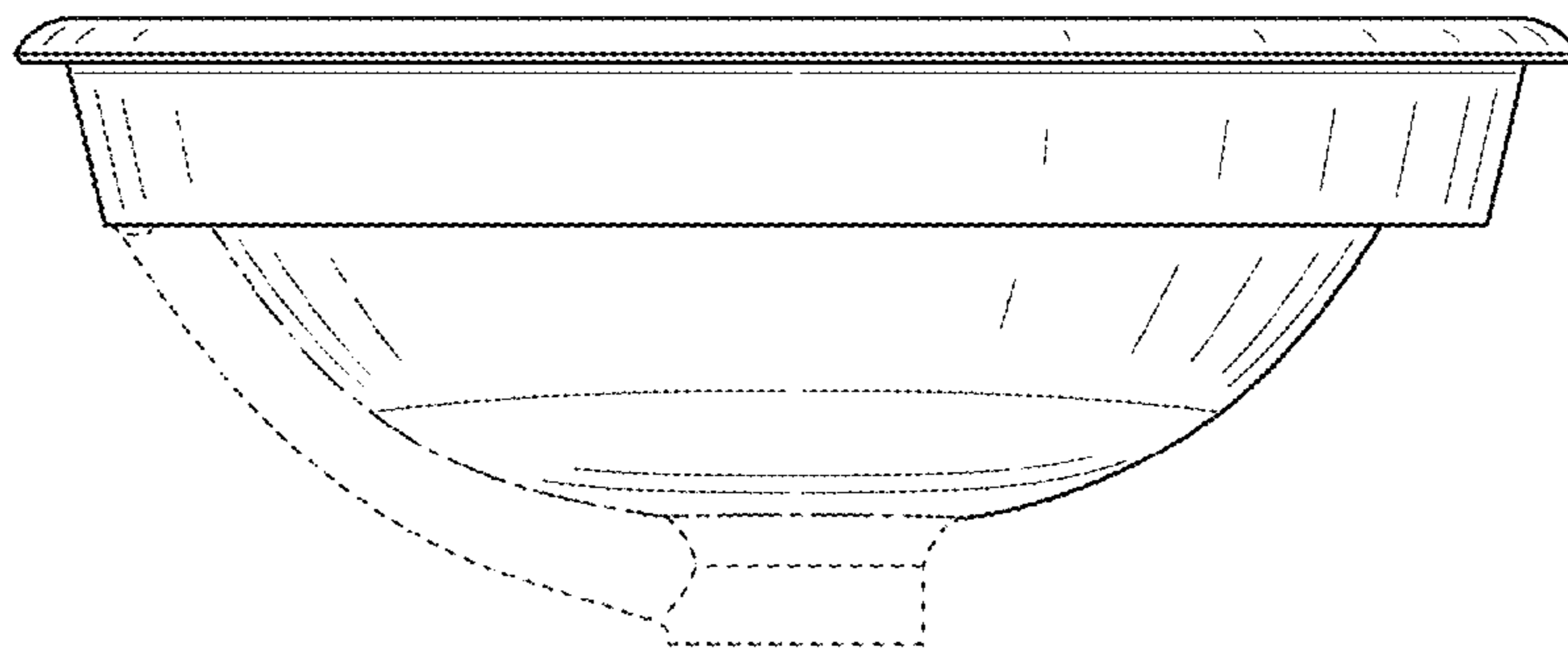


FIG. 5

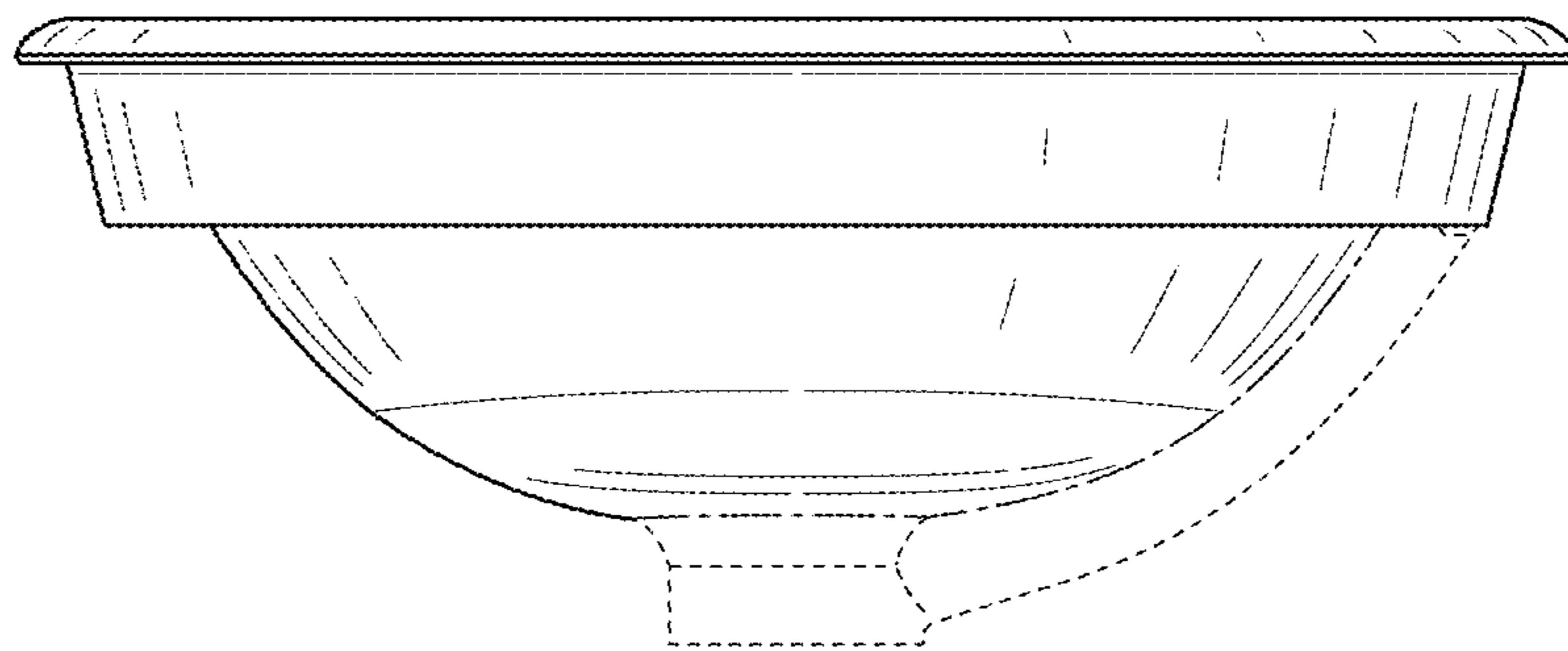


FIG. 6

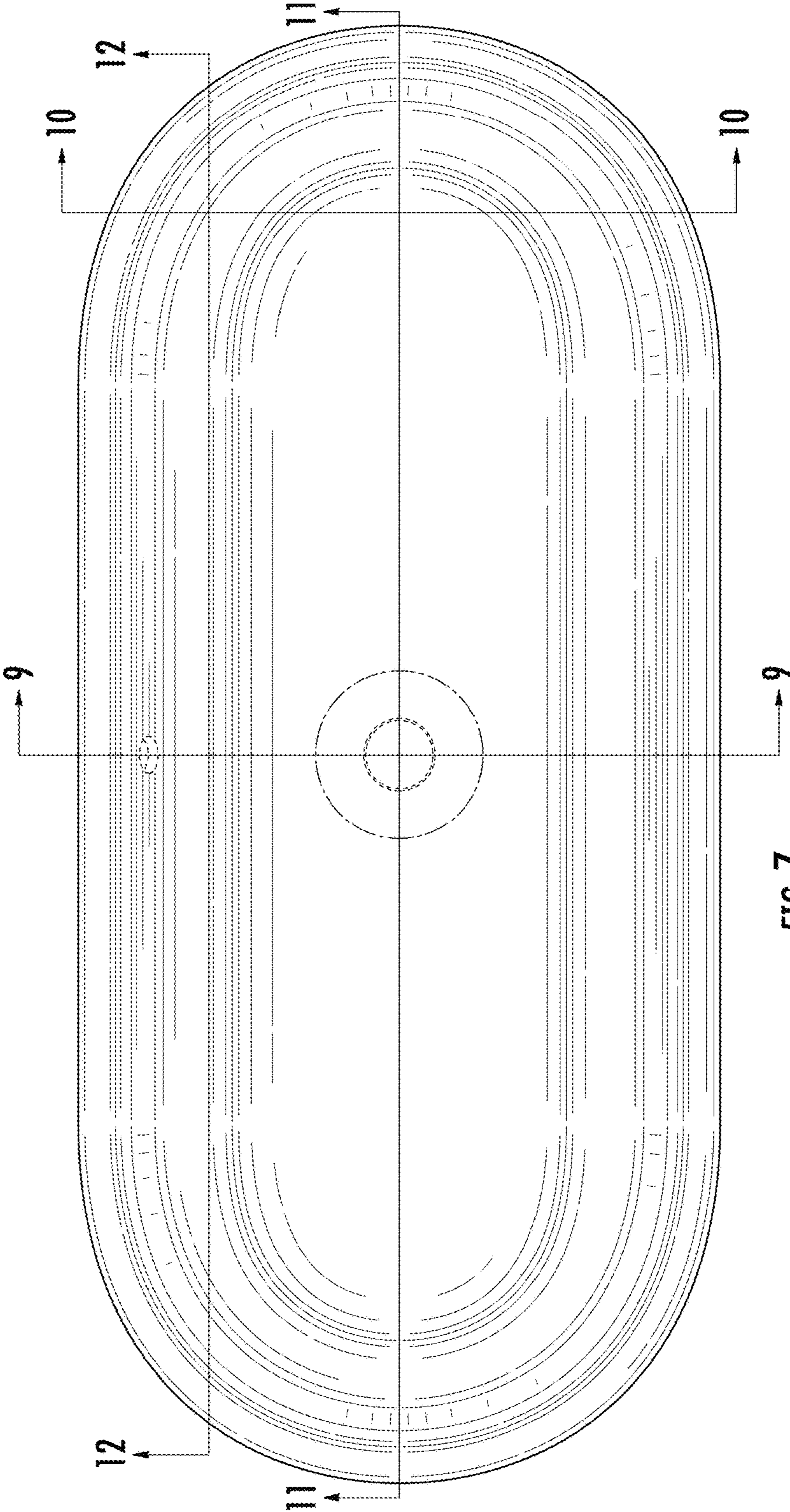


FIG. 7

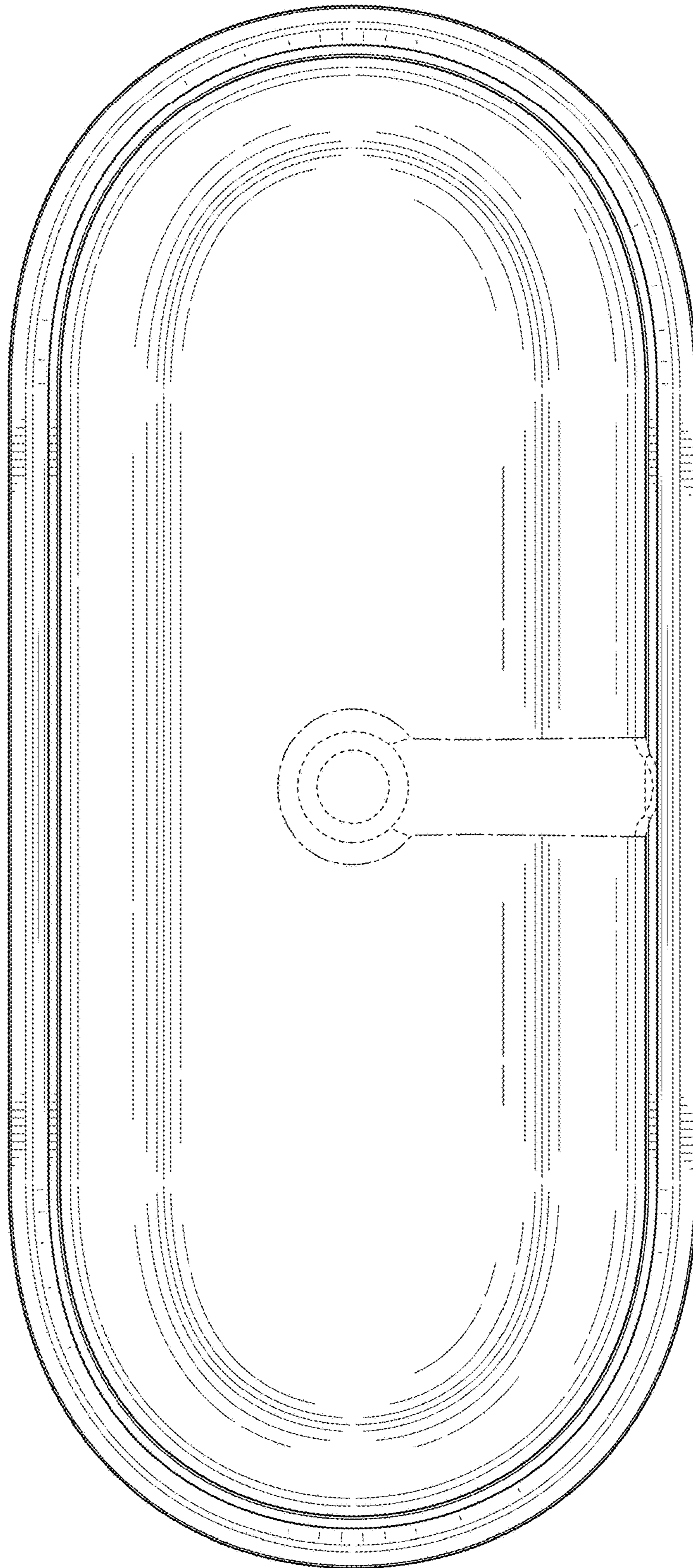


FIG. 8

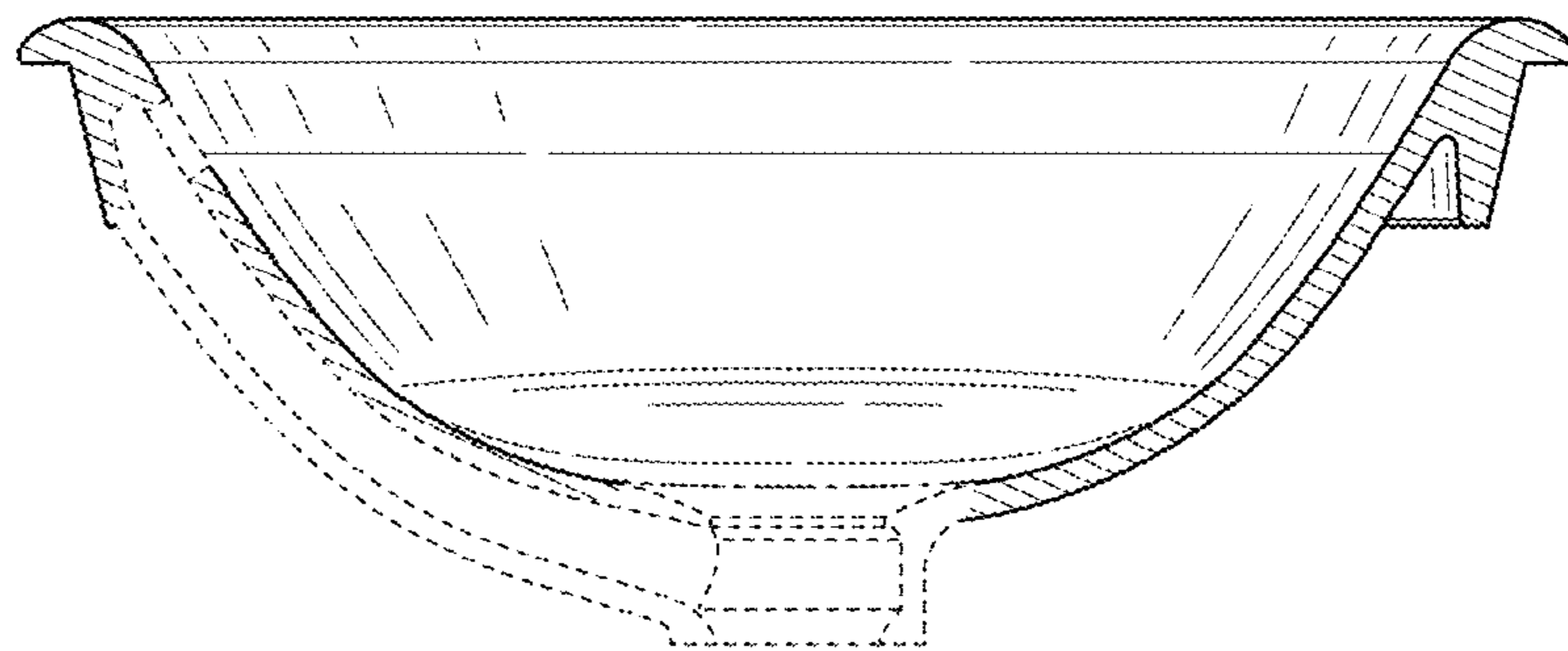


FIG. 9

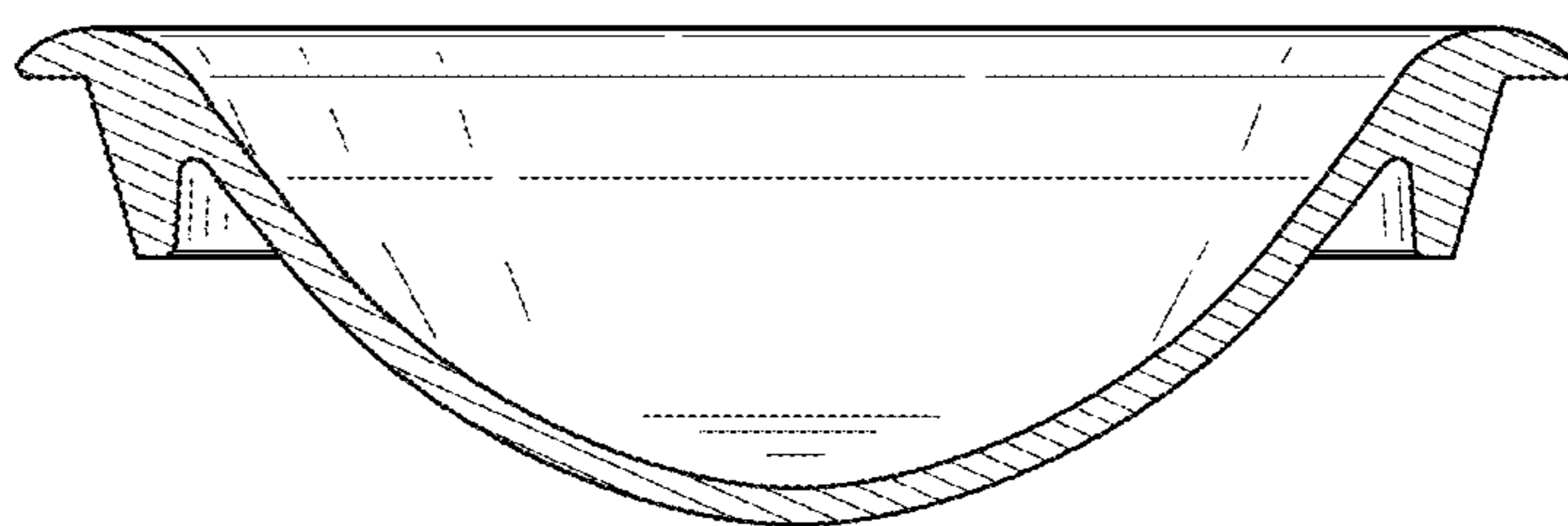


FIG. 10

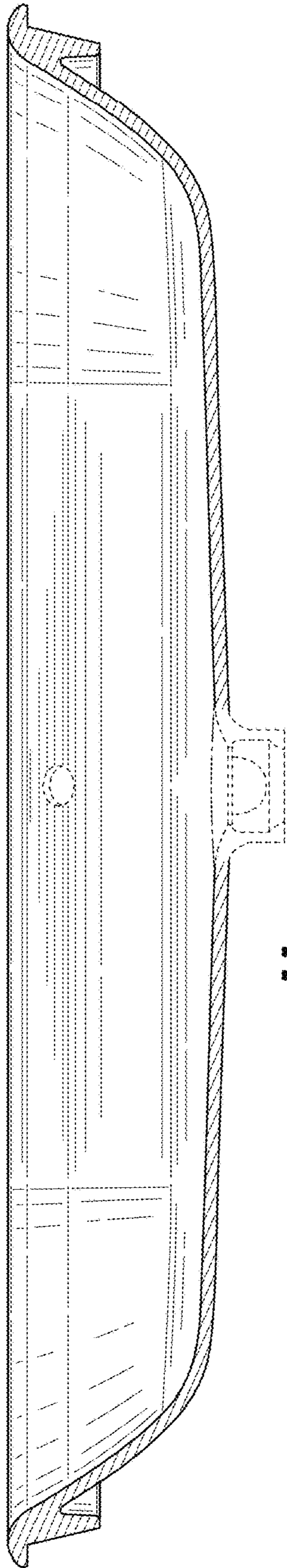


FIG. 11

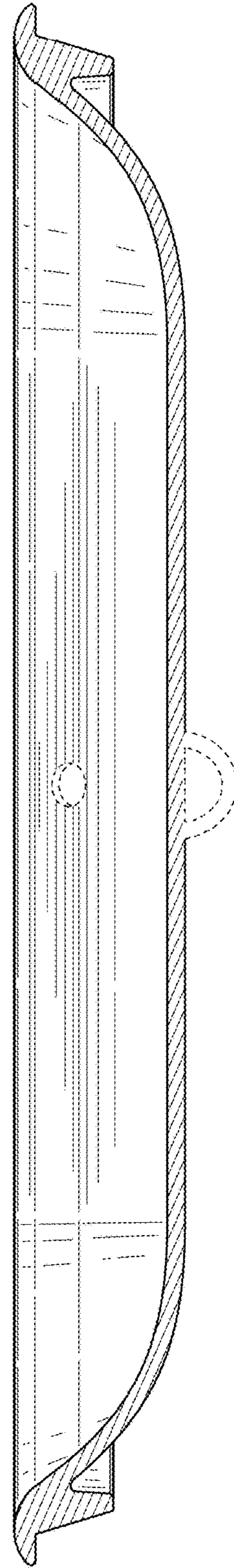


FIG. 12

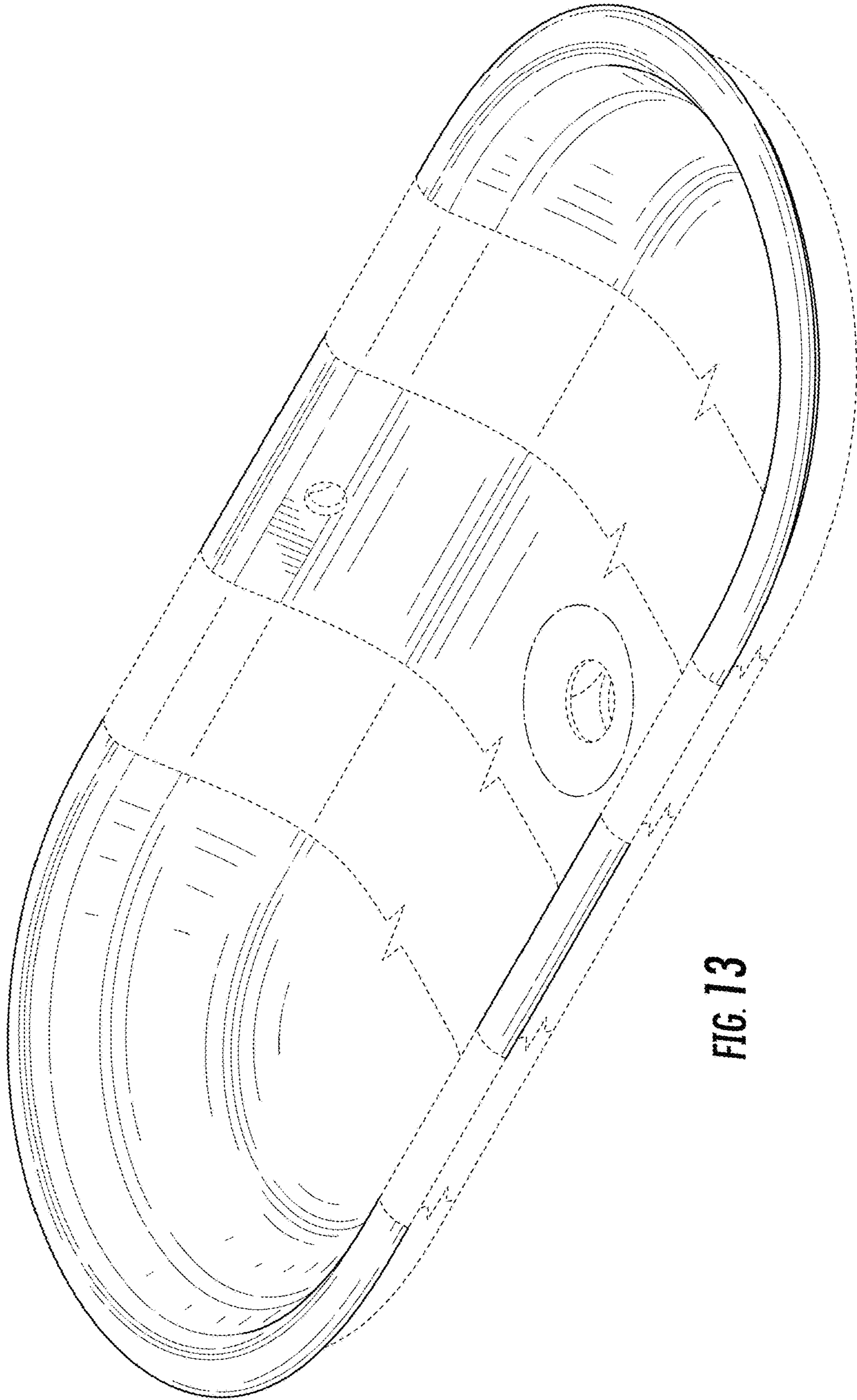


FIG. 13

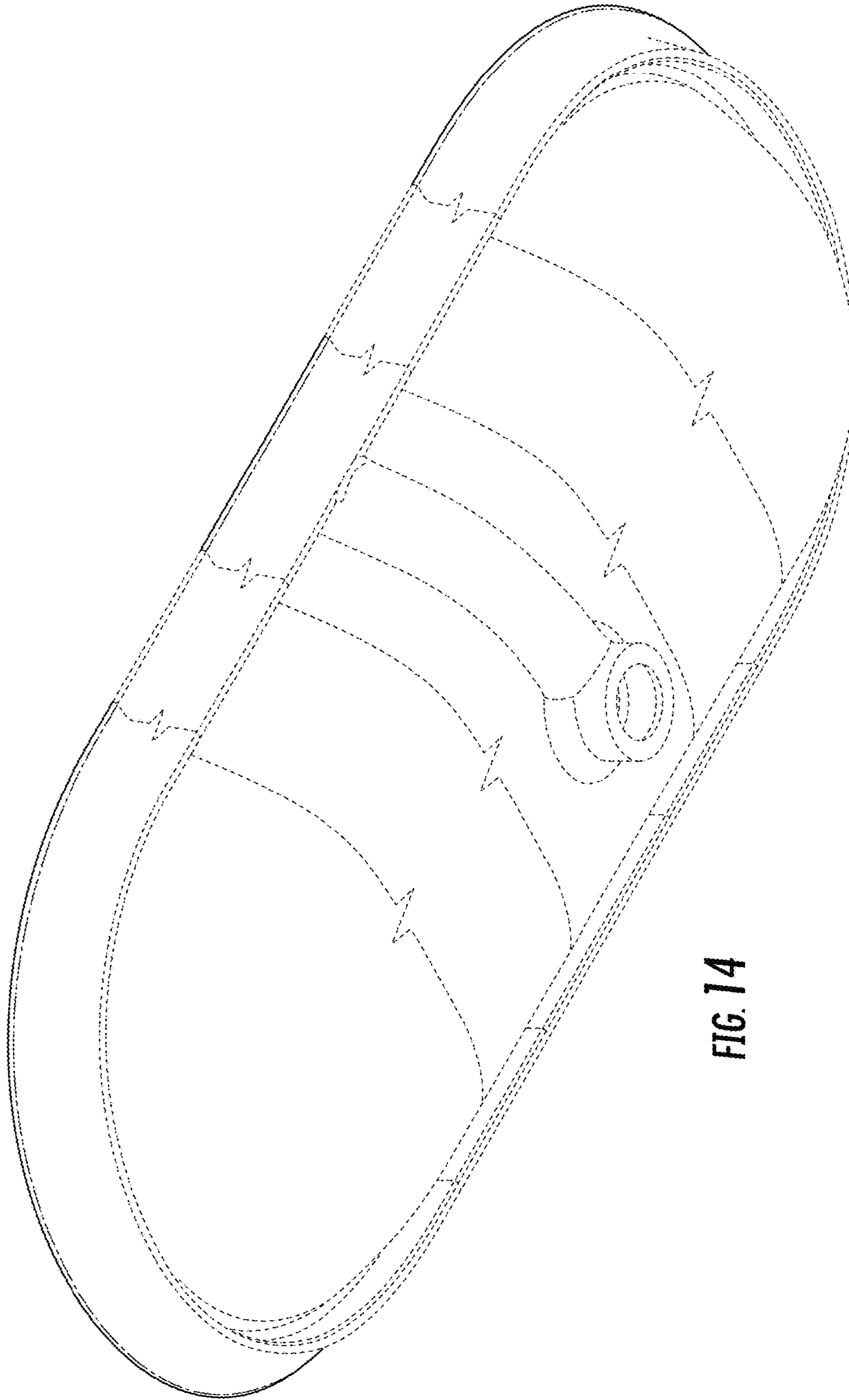


FIG. 14

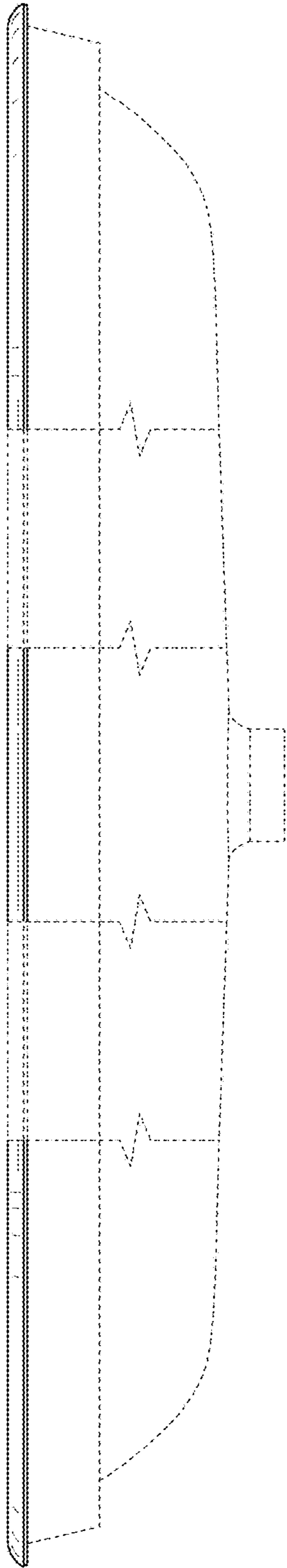


FIG. 15

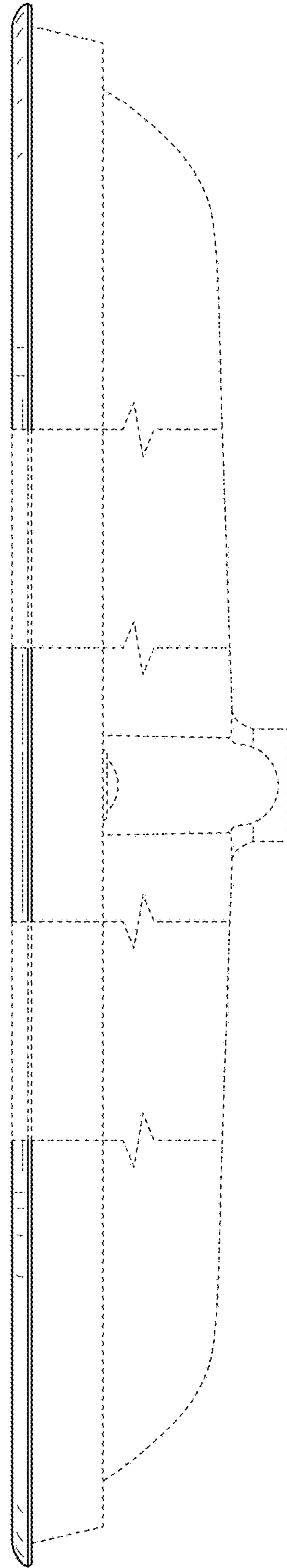


FIG. 16

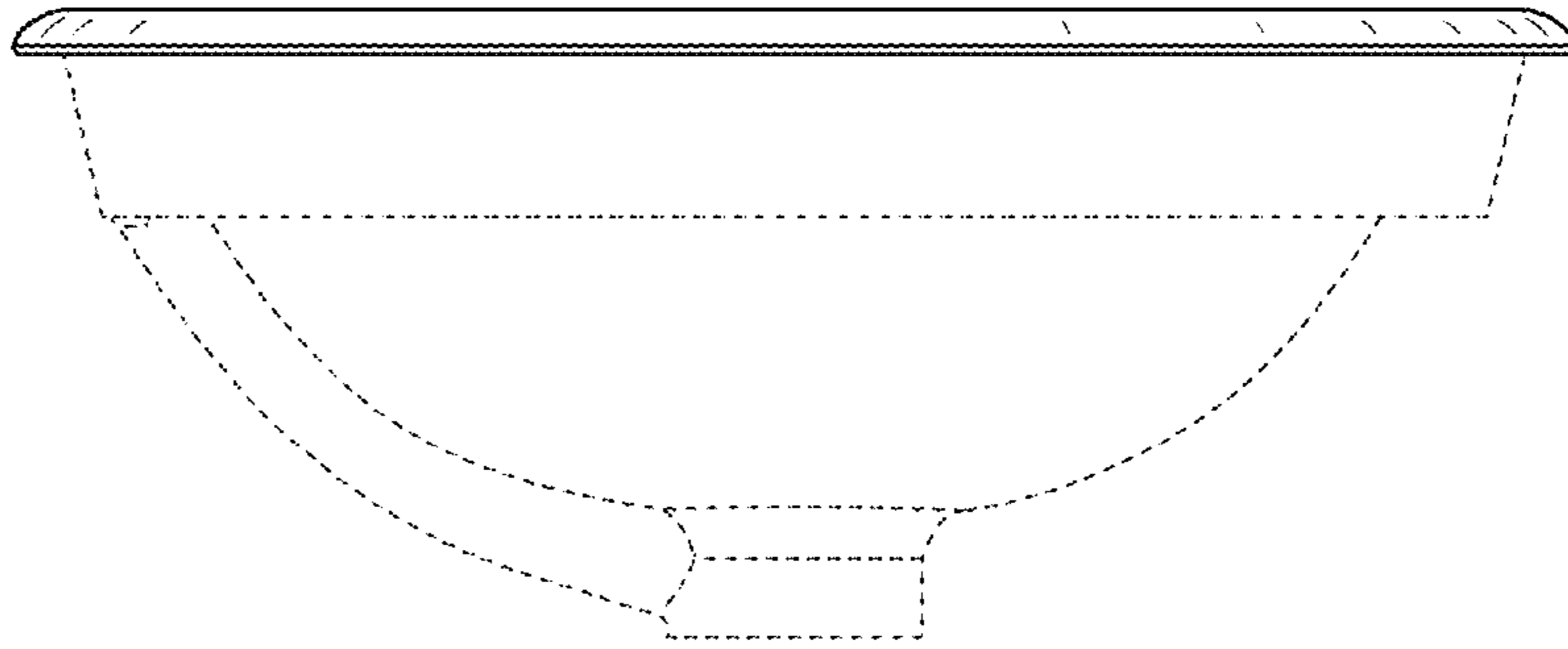


FIG. 17

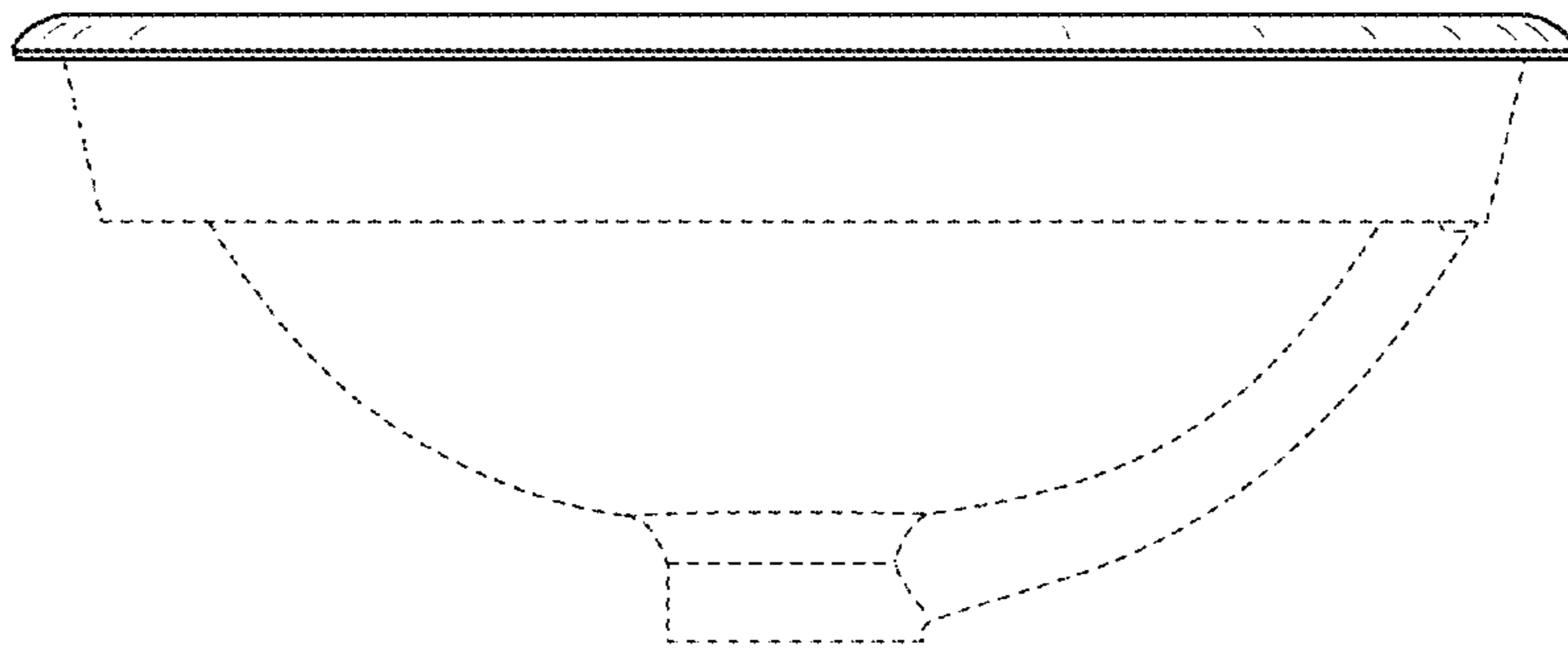


FIG. 18

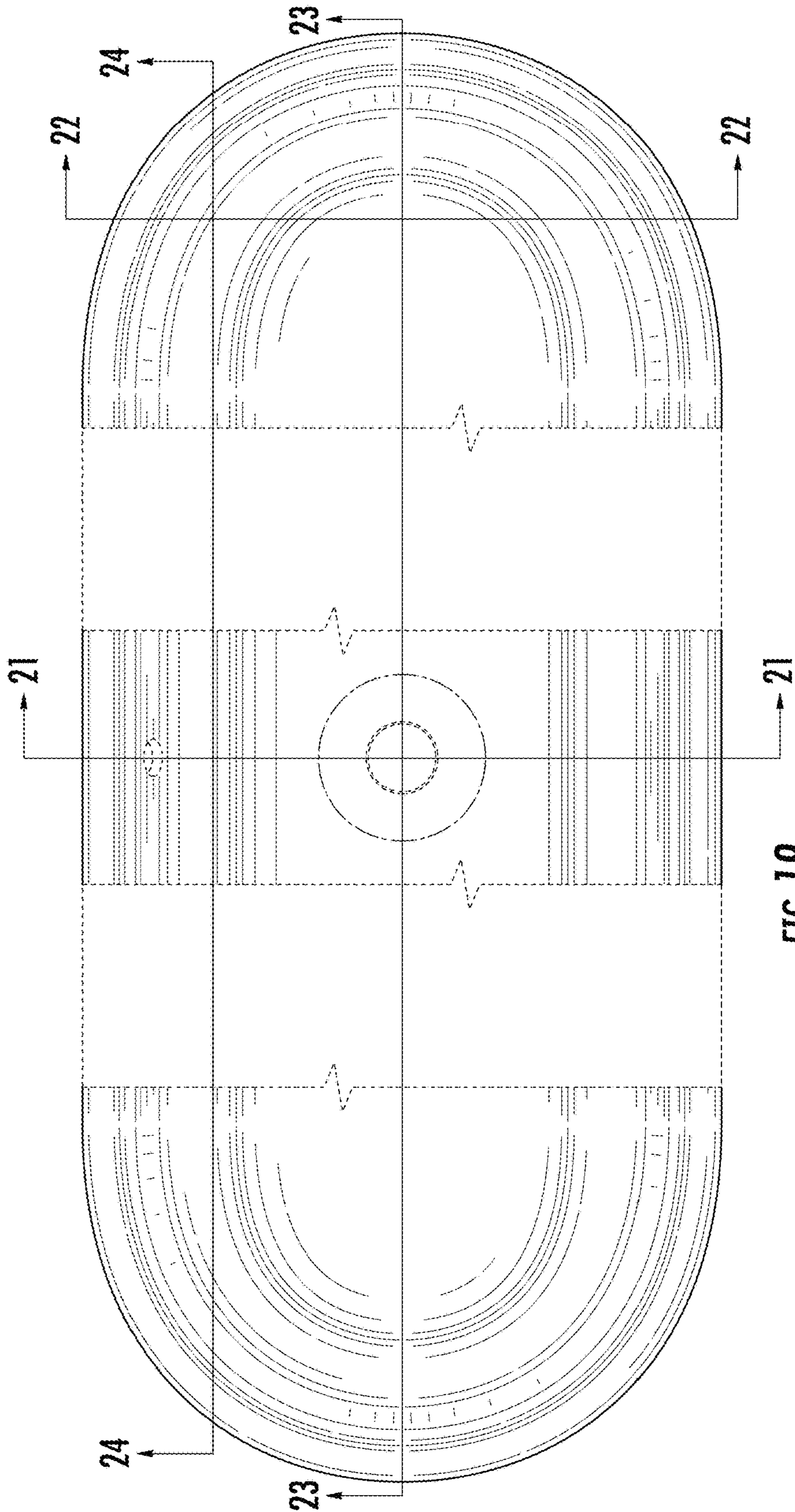


FIG. 19

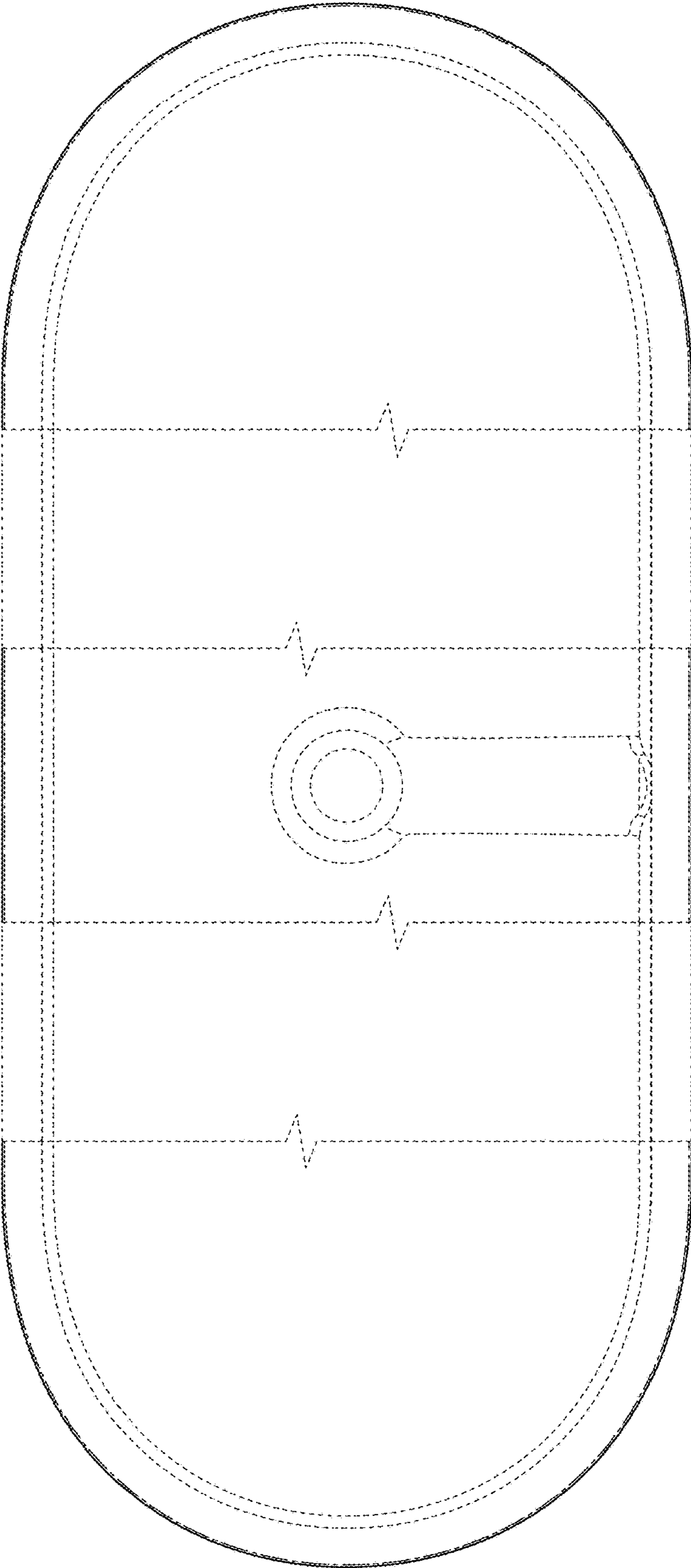


FIG. 20

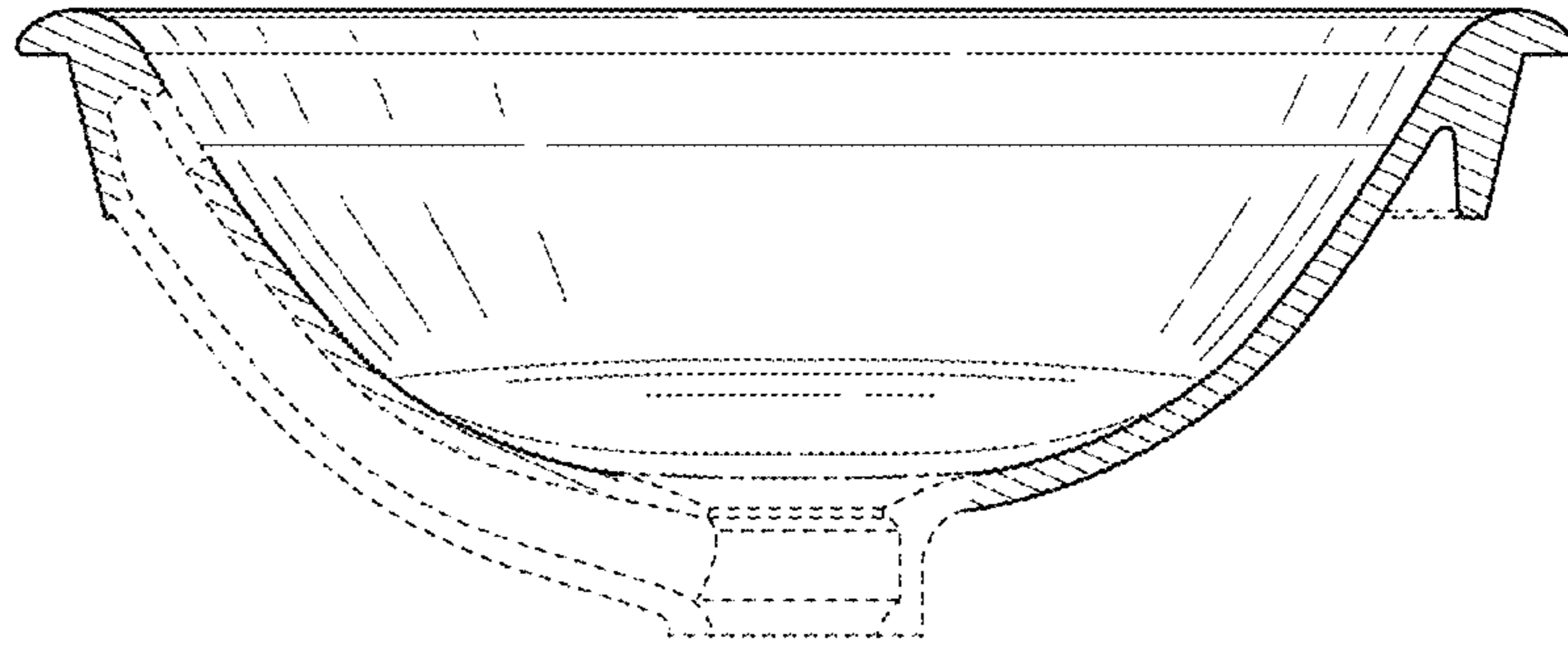


FIG. 21

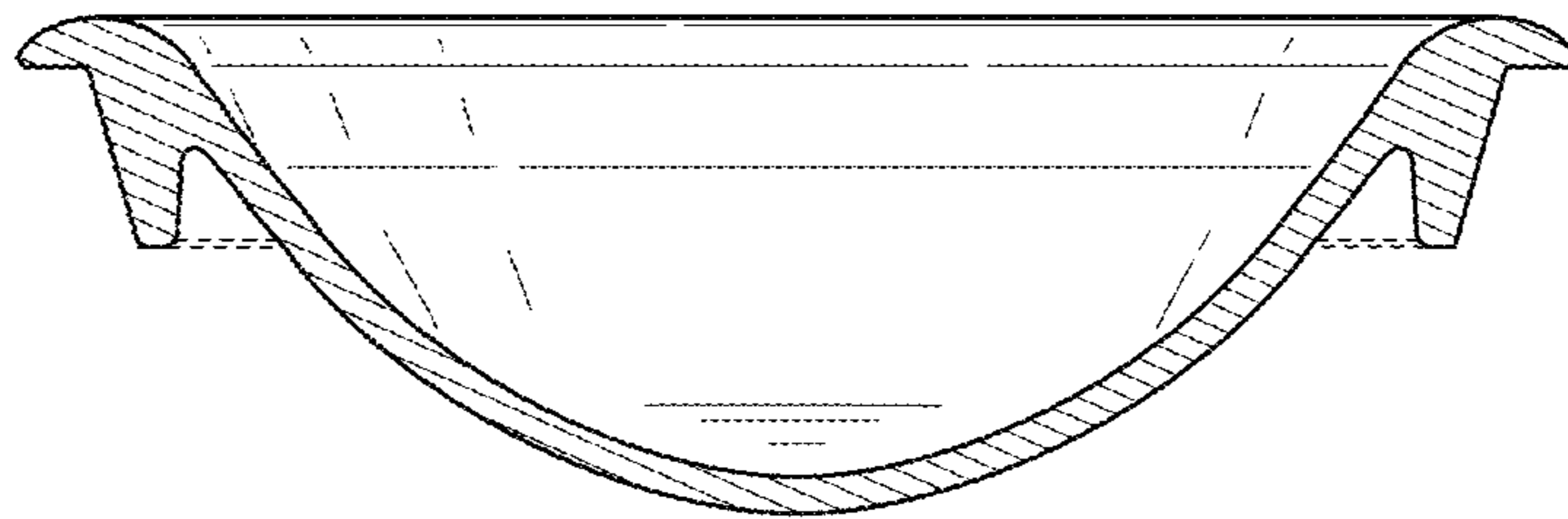


FIG. 22

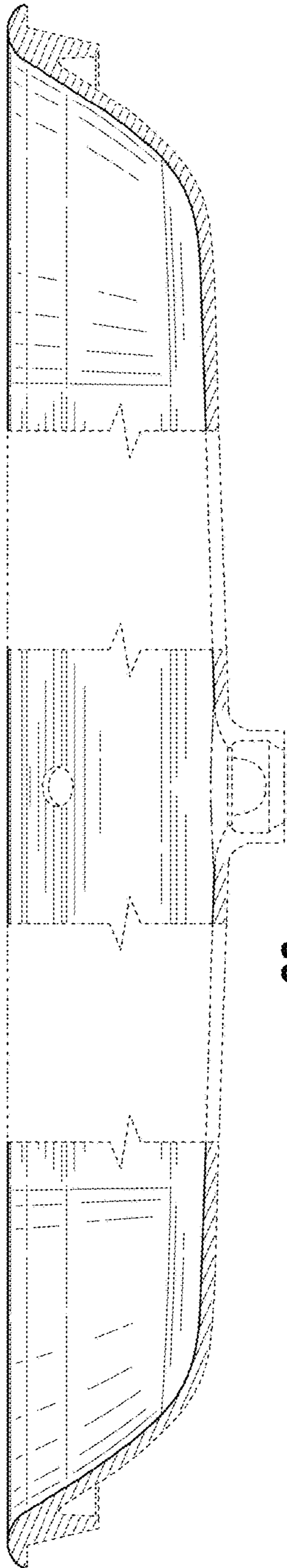


FIG. 23

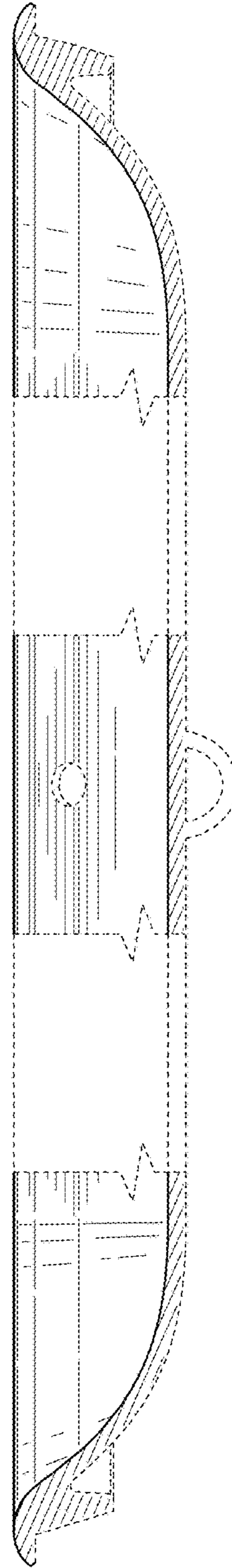


FIG. 24