



US00D825034S

(12) **United States Design Patent**  
**Vish**

(10) **Patent No.:** **US D825,034 S**

(45) **Date of Patent:** **\*\* Aug. 7, 2018**

(54) **WALL PLATE**

D725,236 S \* 3/2015 Barber ..... D23/254  
D726,881 S \* 4/2015 Sandee ..... D23/249  
D729,349 S \* 5/2015 Behling ..... D23/250

(71) Applicant: **SLOAN VALVE COMPANY**, Franklin Park, IL (US)

(72) Inventor: **Ron Vish**, West Roxbury, MA (US)

(73) Assignee: **SLOAN VALVE COMPANY**, Franklin Park, IL (US)

(\*\*) Term: **15 Years**

(21) Appl. No.: **29/601,303**

(22) Filed: **Apr. 20, 2017**

(51) **LOC (11) Cl.** ..... **23-01**

(52) **U.S. Cl.**  
USPC ..... **D23/245**

(58) **Field of Classification Search**  
USPC ..... D23/233, 238, 242, 245, 246, 249, 250,  
D23/252, 309, 254; 4/379, 380, 381,  
4/384, 385, 386, 405, 410  
CPC ..... E03D 5/02; E03D 5/09  
See application file for complete search history.

(56) **References Cited**

**U.S. PATENT DOCUMENTS**

D350,592 S \* 9/1994 Cummings ..... D23/252  
D465,014 S \* 10/2002 Witzig ..... D23/309  
D573,694 S \* 7/2008 Funari ..... D23/249  
D635,219 S \* 3/2011 Funari ..... D23/233  
D722,371 S \* 2/2015 Behling ..... D23/309

**OTHER PUBLICATIONS**

Sloan Wall Plate. "Manual Concealed Piston Flushometer for Floor Mount or Wall Hung Water Closet, High-Efficiency", www.sloan.com. Web. Feb. 18, 2018. Shown in p. 1, Item TRF 156-1.28 (Year: 2018).\*

\* cited by examiner

*Primary Examiner* — Cynthia Ramirez

*Assistant Examiner* — Gino Colan

(74) *Attorney, Agent, or Firm* — Foley & Lardner LLP

(57) **CLAIM**

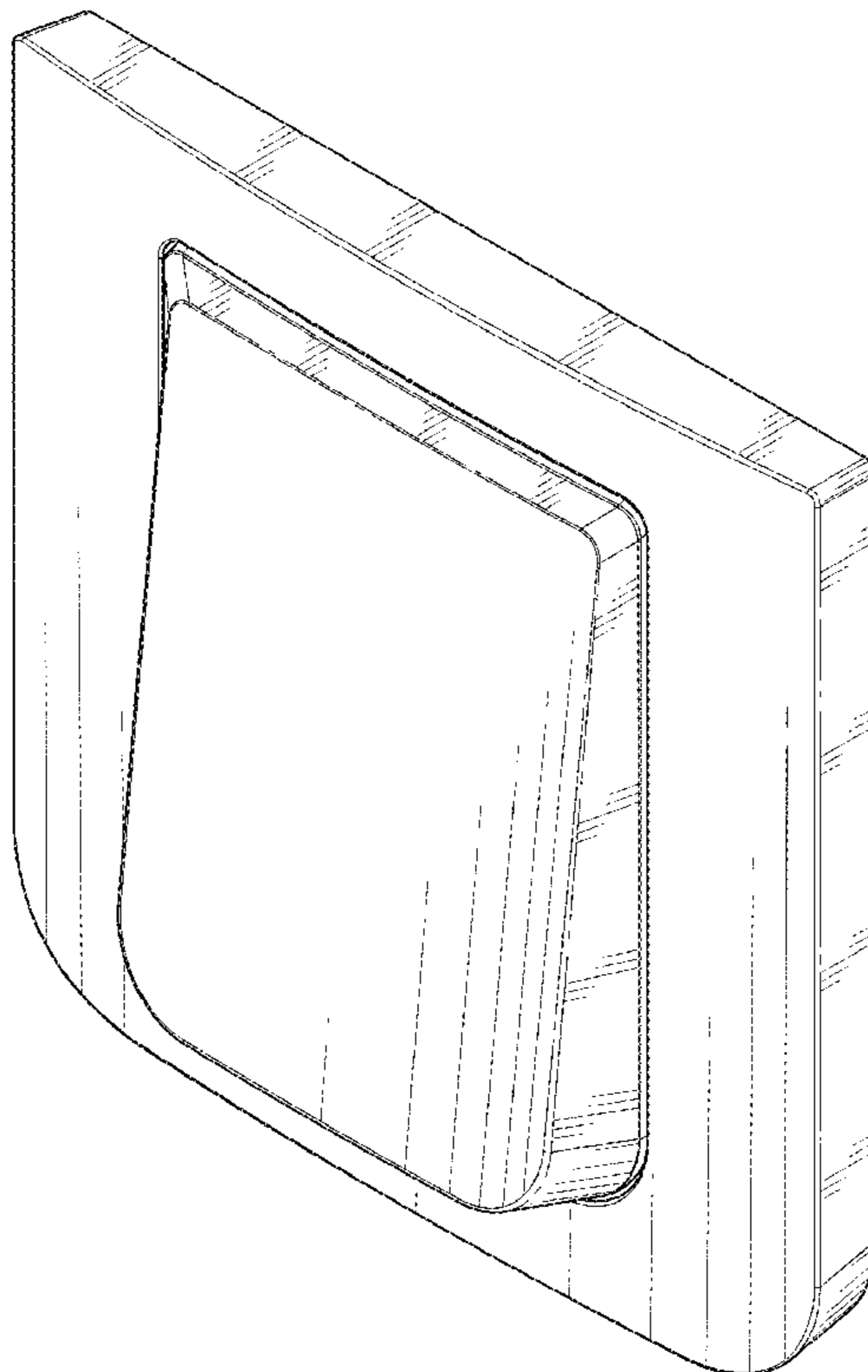
We claim the ornamental design for a wall plate, as shown and described.

**DESCRIPTION**

FIG. 1 is a perspective view of the claimed design;  
FIG. 2 is a front elevational view thereof;  
FIG. 3 is a rear elevational view thereof;  
FIG. 4 is a left side elevational view thereof;  
FIG. 5 is a right side elevational view thereof;  
FIG. 6 is a top plan view thereof; and,  
FIG. 7 is a bottom plan view thereof.

The broken lines shown in the figures are for the purpose of illustrating portions of the wall plate that form no part of the claimed design.

**1 Claim, 5 Drawing Sheets**



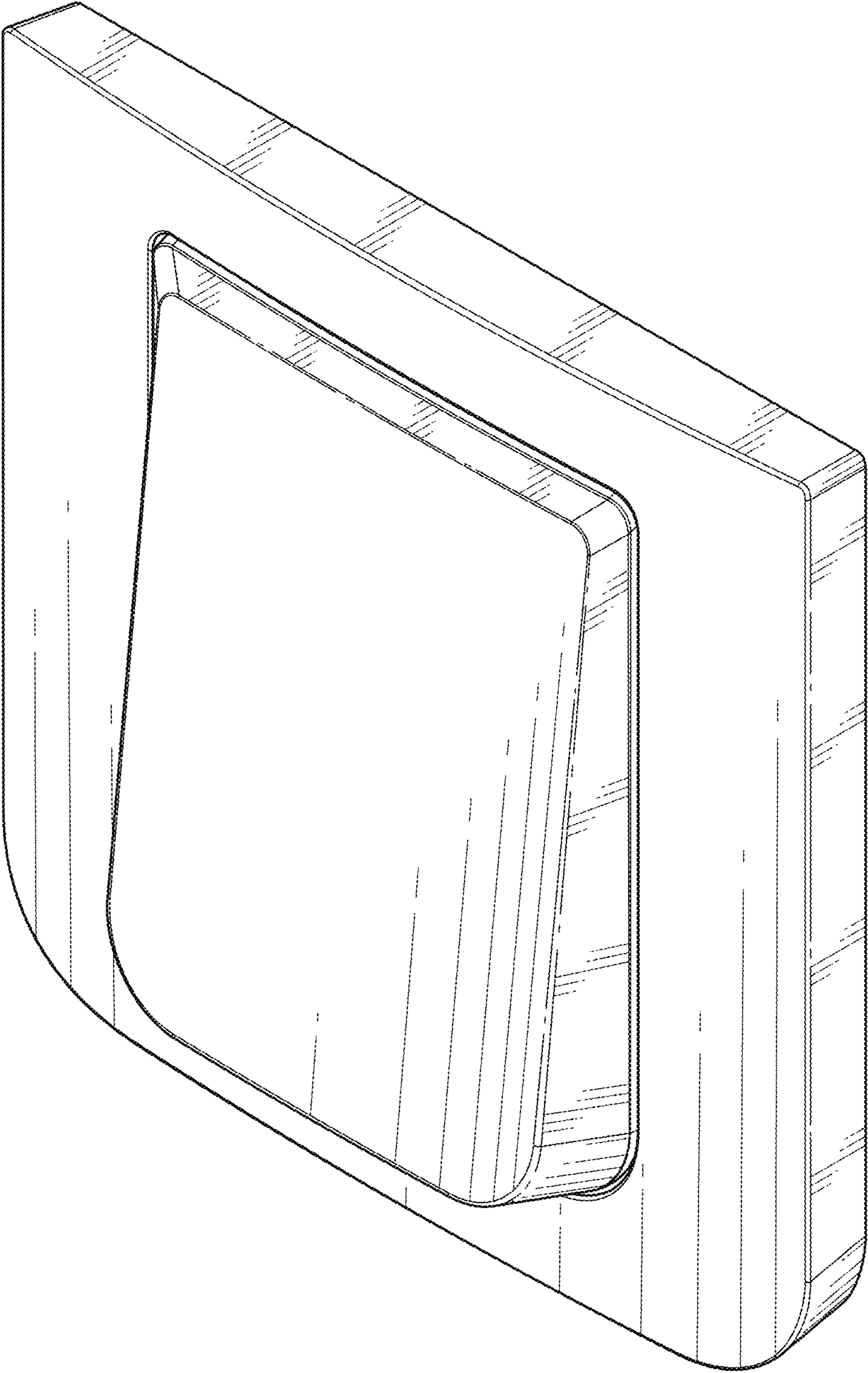


FIG. 1

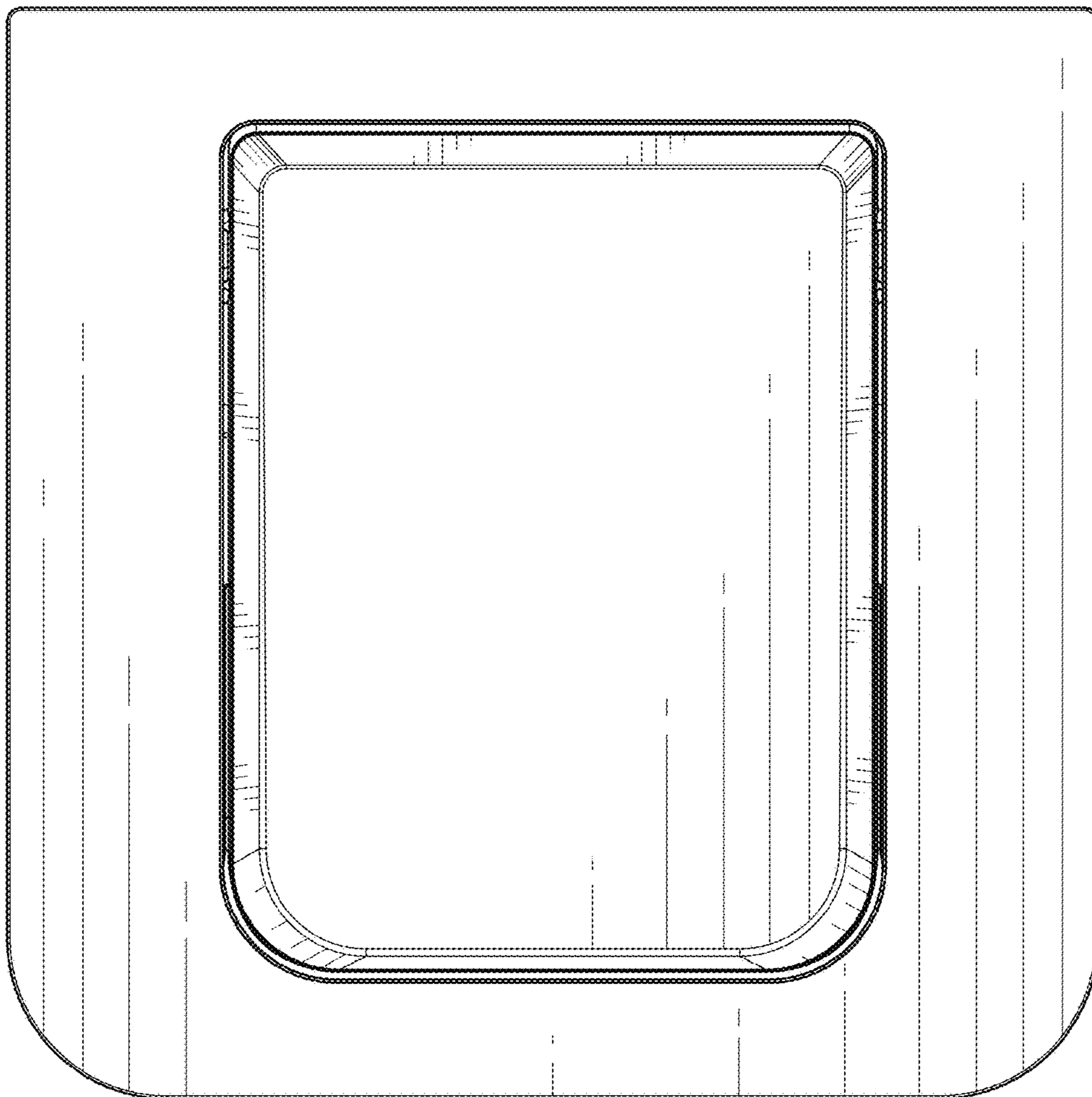


FIG. 2

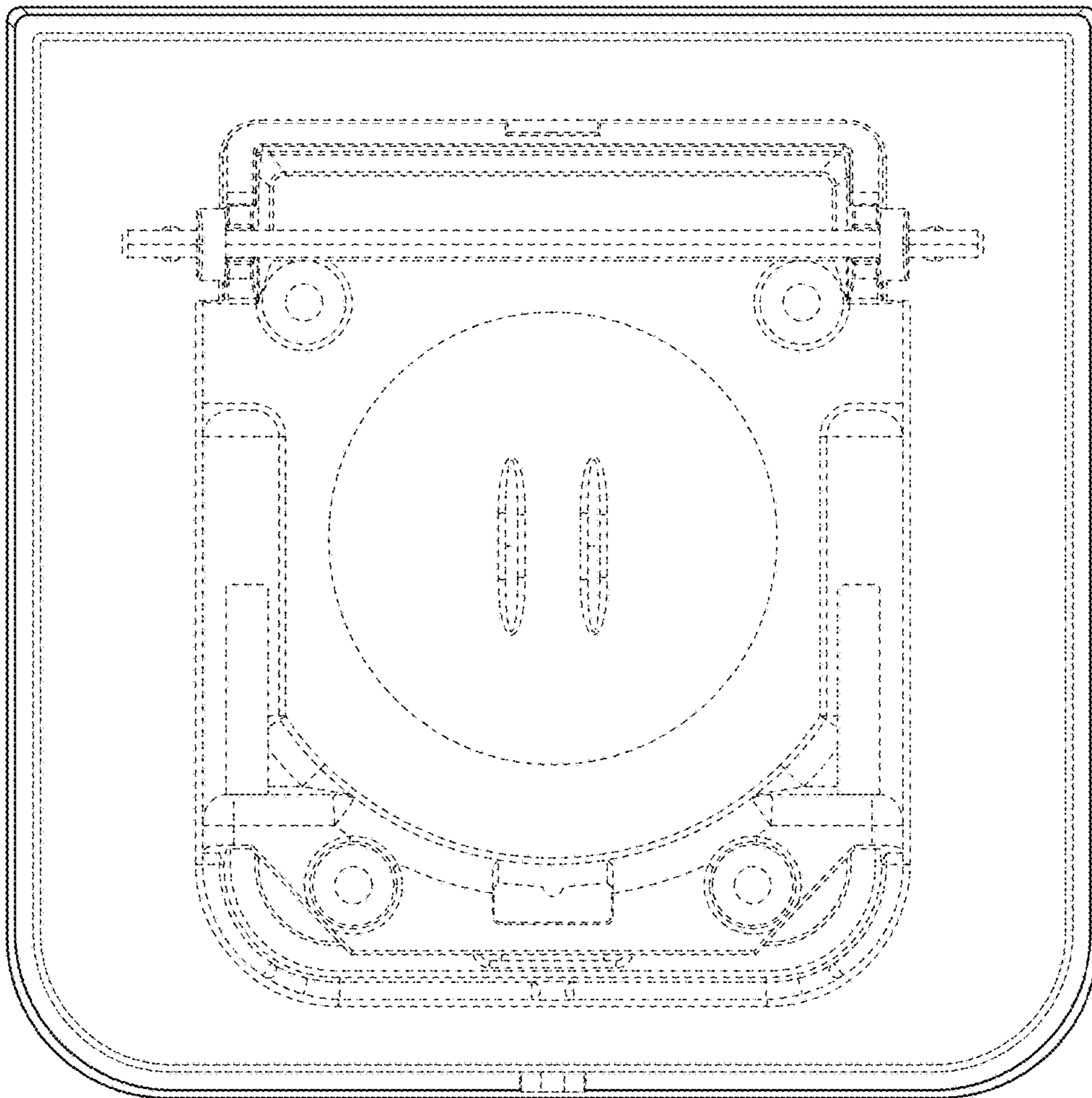


FIG. 3

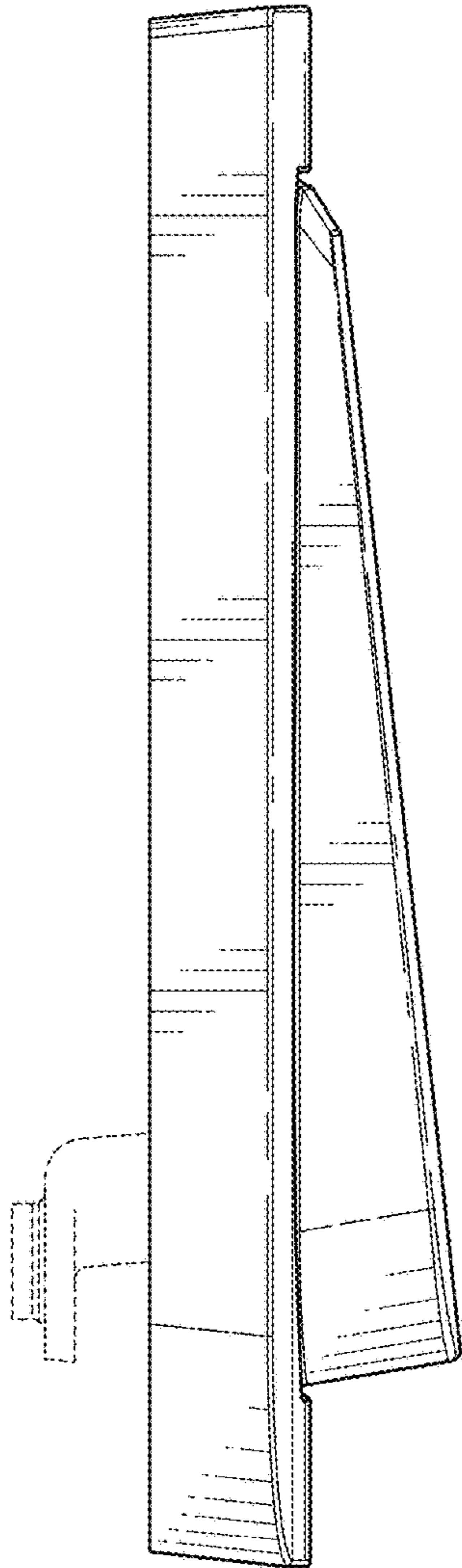


FIG. 4

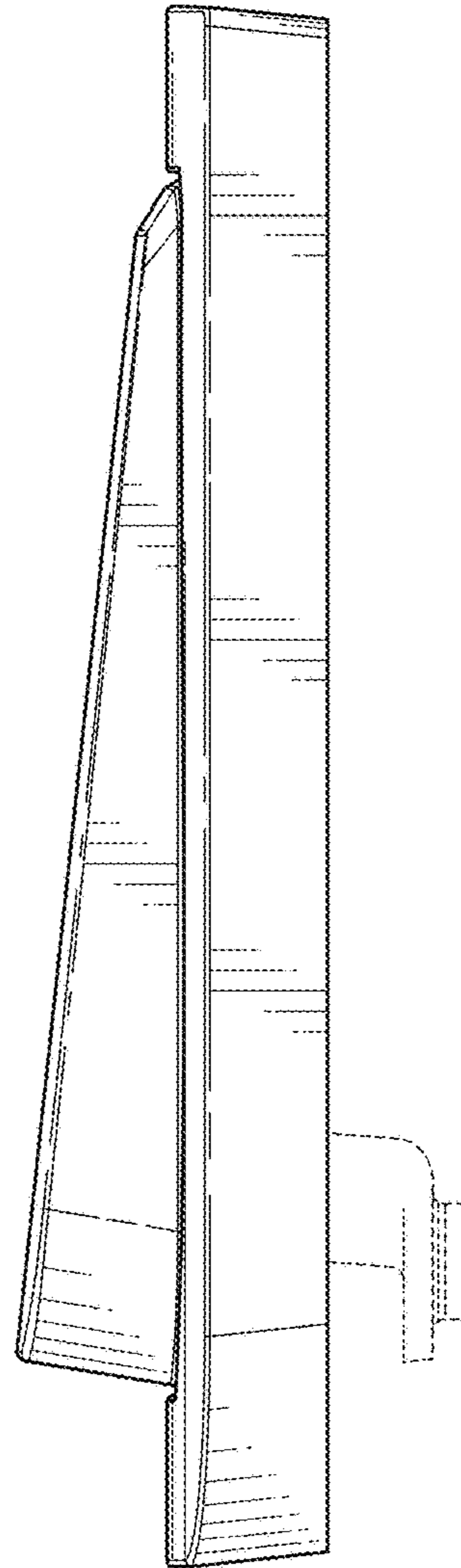


FIG. 5

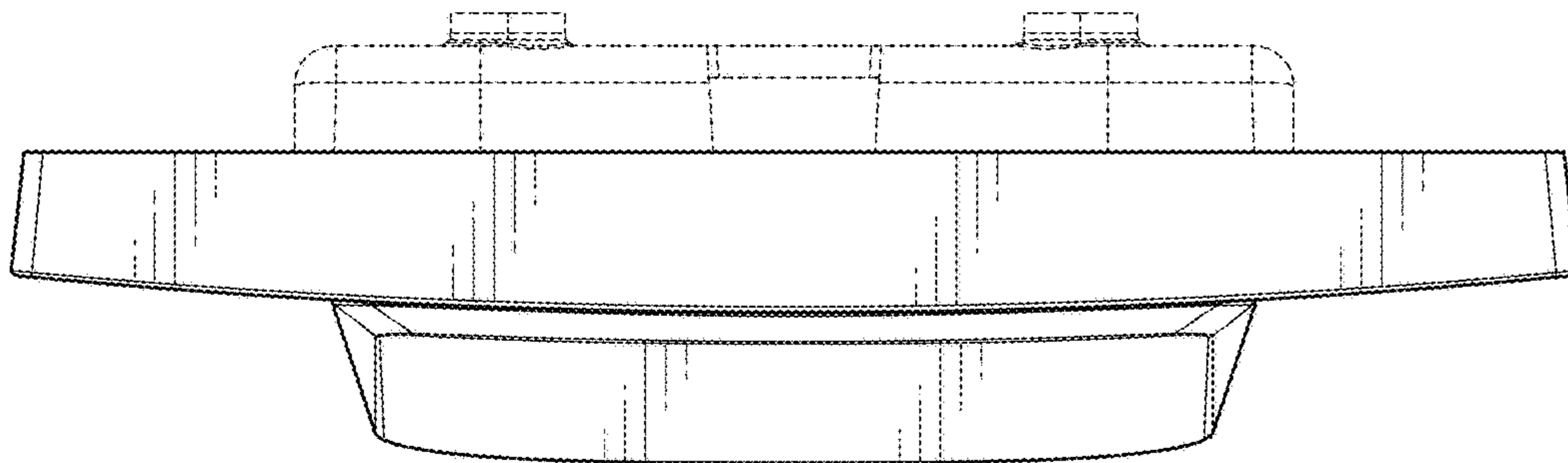


FIG. 6

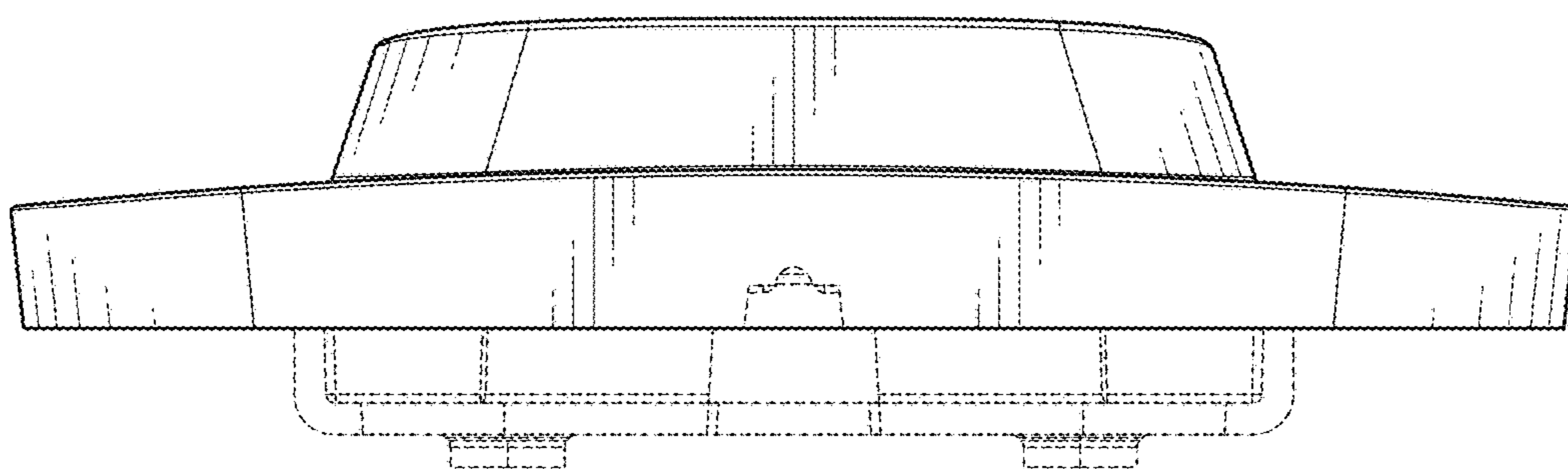


FIG. 7