



US00D825029S

(12) **United States Design Patent** (10) **Patent No.:** **US D825,029 S**
Goldman (45) **Date of Patent:** **** Aug. 7, 2018**

(54) **FILTRATION ELEMENT**
(71) Applicant: **MECHANICAL MANUFACTURING CORPORATION**, Sunrise, FL (US)
(72) Inventor: **Michael A. Goldman**, Sunrise, FL (US)
(73) Assignee: **Mechanical Manufacturing Corporation**, Sunrise, FL (US)
(**) Term: **15 Years**
(21) Appl. No.: **29/601,653**
(22) Filed: **Apr. 25, 2017**
(51) **LOC (11) Cl.** **23-01**
(52) **U.S. Cl.**
USPC **D23/209**
(58) **Field of Classification Search**
USPC D23/207, 209, 365
CPC . C02F 1/003; C02F 1/42; B01D 35/30; B01D 35/153; B01D 29/111; B01D 39/12; B29C 47/682
See application file for complete search history.

(56) **References Cited**
U.S. PATENT DOCUMENTS
5,336,405 A * 8/1994 Tang B01D 29/111 210/232
D416,308 S * 11/1999 Ward D23/209
D463,524 S * 9/2002 Ellis D23/209
D497,972 S * 11/2004 Reynolds D23/209
D524,611 S * 7/2006 Liu D23/209
D571,433 S * 6/2008 Koteskey D23/209
7,874,431 B2 * 1/2011 Eisengraeber-Pabst B01D 29/111 210/493.1
D696,745 S * 12/2013 Hammerback D23/209
D712,507 S * 9/2014 Hammerback D23/209

(Continued)

Primary Examiner — Robin V Webster

(74) *Attorney, Agent, or Firm* — Fox Rothschild LLP; Robert J. Sacco; Carol E. Thorstad-Forsyth

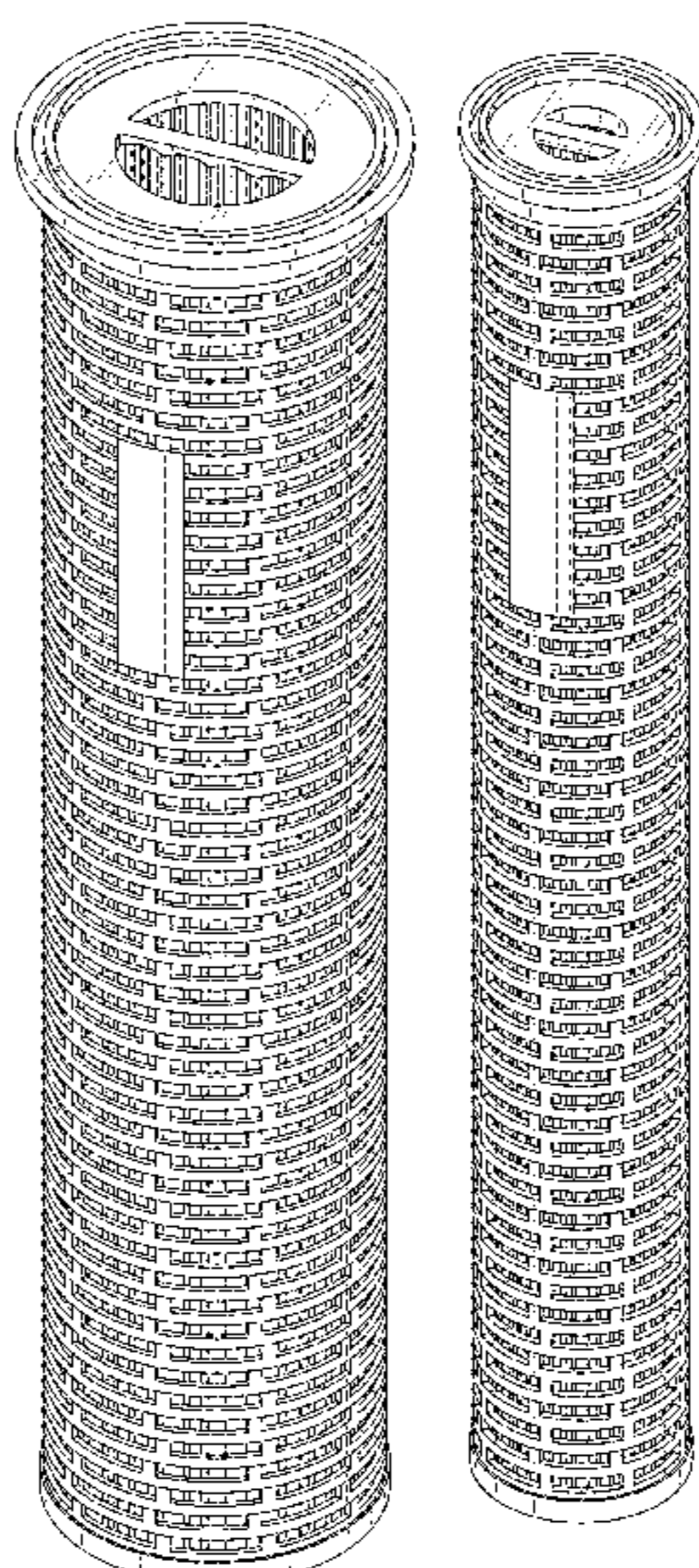
(57) **CLAIM**

The ornamental design for a filtration element, as shown and described.

DESCRIPTION

FIG. 1 is a top perspective view of a first embodiment filtration element, according to the present invention; FIG. 2 is a bottom perspective view of the filtration element shown in FIG. 1; FIG. 3 is a front elevation view of the filtration element shown in FIG. 1; FIG. 4 is a left side elevation view of the filtration element shown in FIG. 1; FIG. 5 is a right side elevation view of the filtration element shown in FIG. 1; FIG. 6 is a rear elevation view of the filtration element shown in FIG. 1; FIG. 7 is a top plan view of the filtration element shown in FIG. 1; FIG. 8 is a bottom plan view of the filtration element shown in FIG. 1; FIG. 9 is a top perspective view of a second embodiment filtration element; FIG. 10 is a bottom perspective view of the filtration element shown in FIG. 9; FIG. 11 is a front elevation view of the filtration element shown in FIG. 9; FIG. 12 is a left side elevation view of the filtration element shown in FIG. 9; FIG. 13 is a right side elevation view of the filtration element shown in FIG. 9; FIG. 14 is a rear elevation view of the filtration element shown in FIG. 9; FIG. 15 is a top plan view of the filtration element shown in FIG. 9; and, FIG. 16 is a bottom plan view of the filtration element shown in FIG. 9.

1 Claim, 10 Drawing Sheets



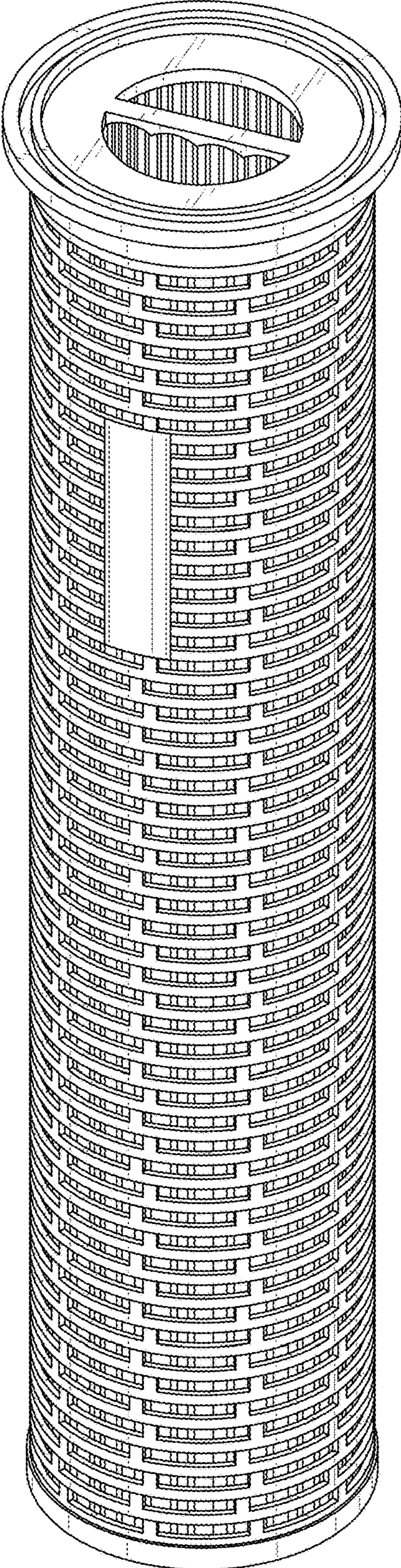


FIG. 1

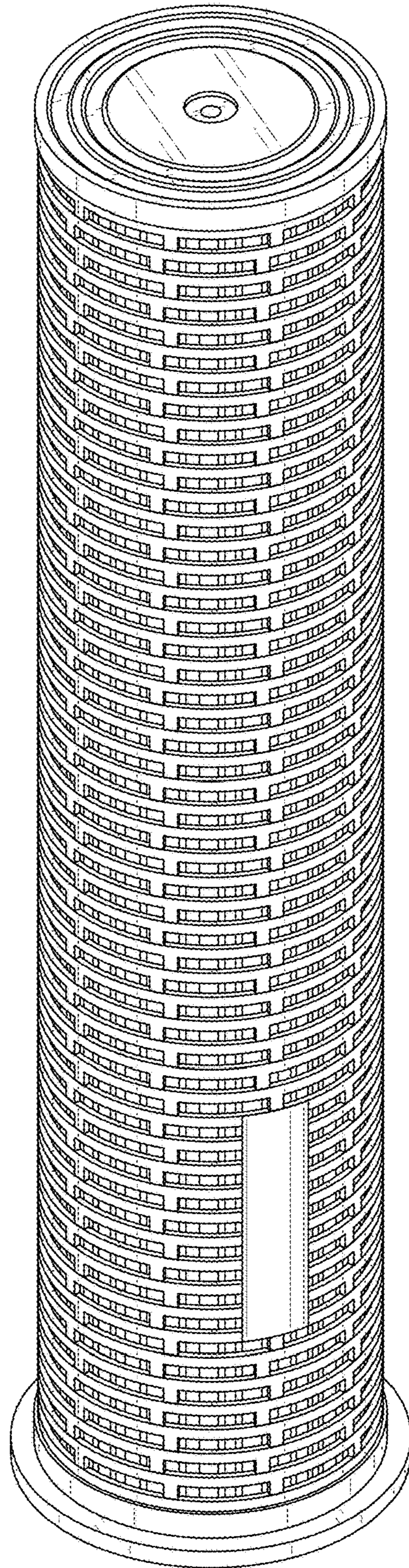


FIG. 2

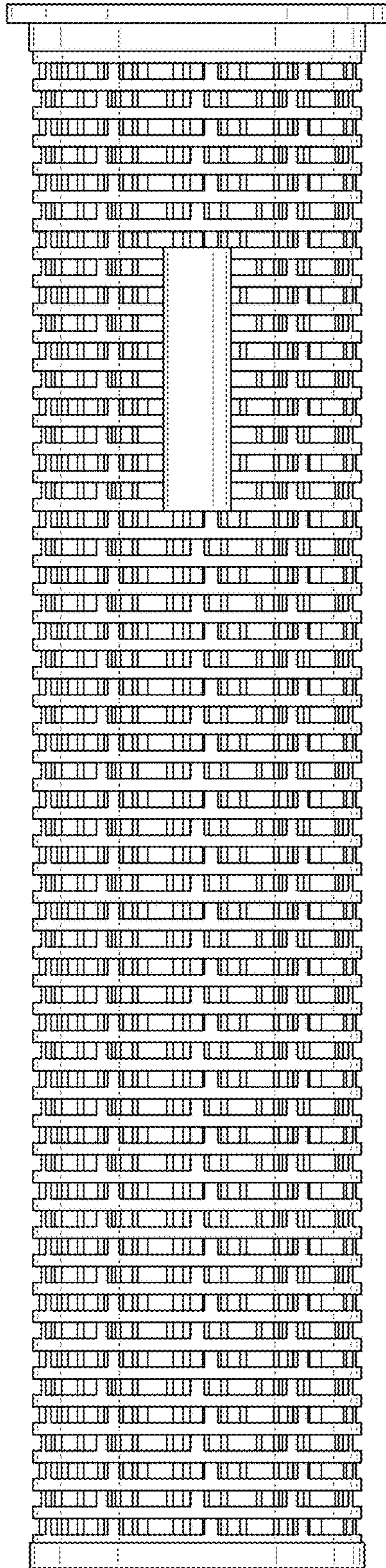


FIG. 3

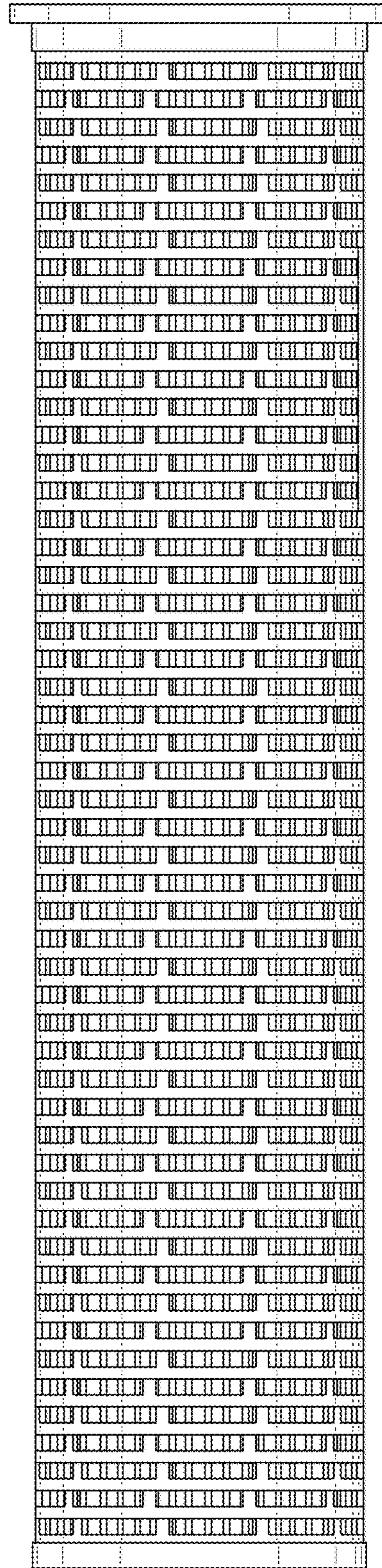


FIG. 4

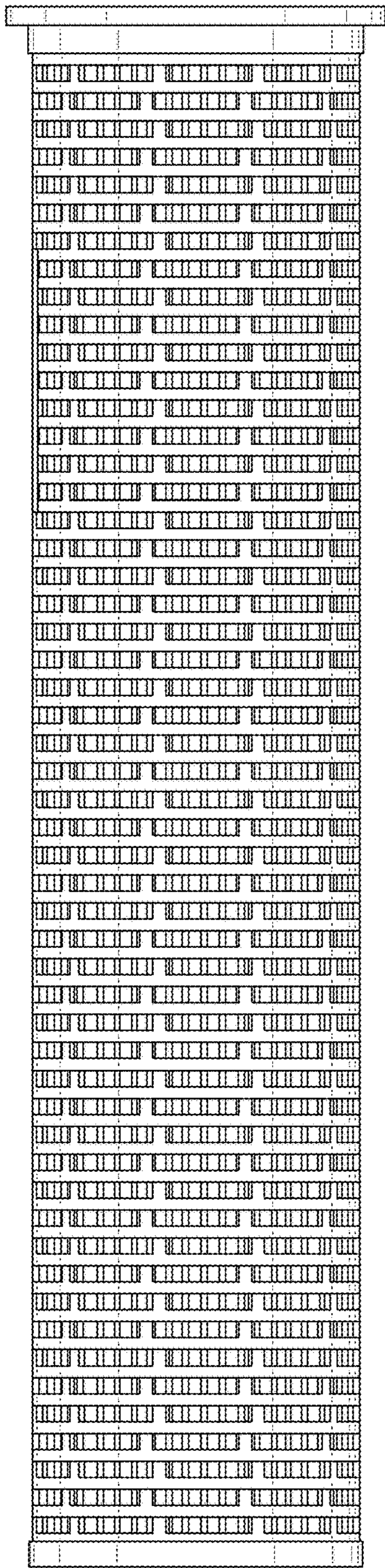


FIG. 5

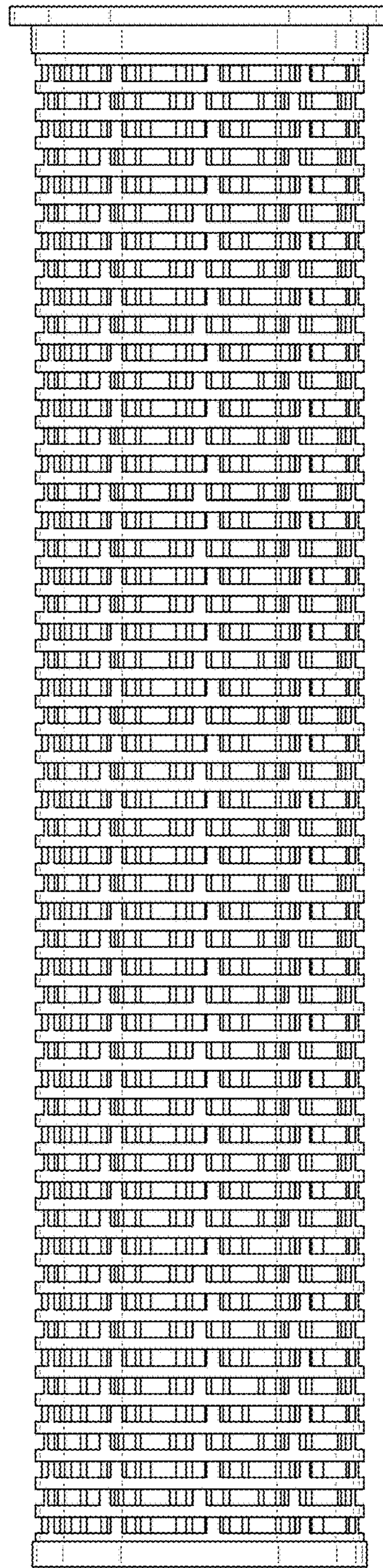


FIG. 6

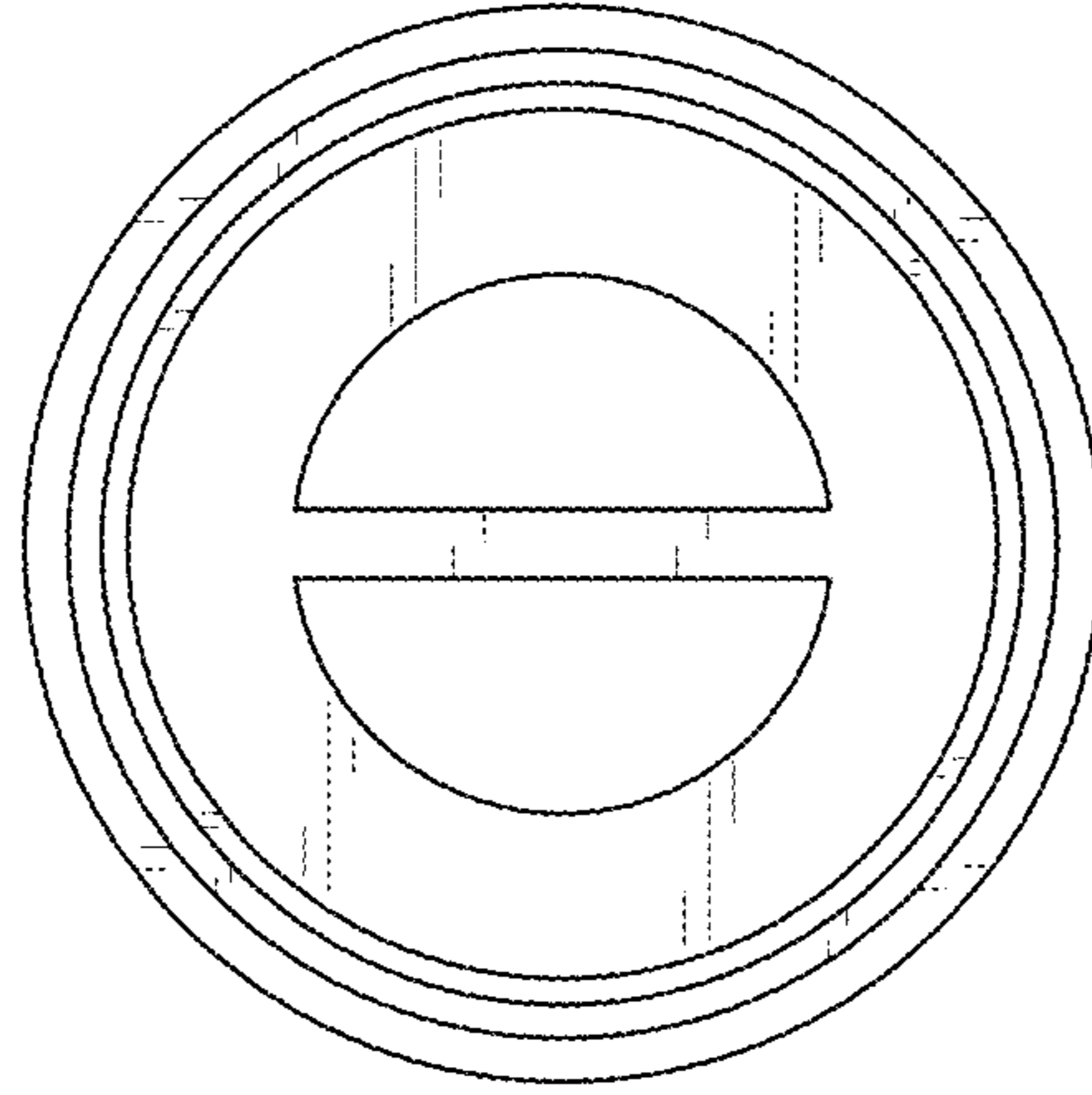


FIG. 7

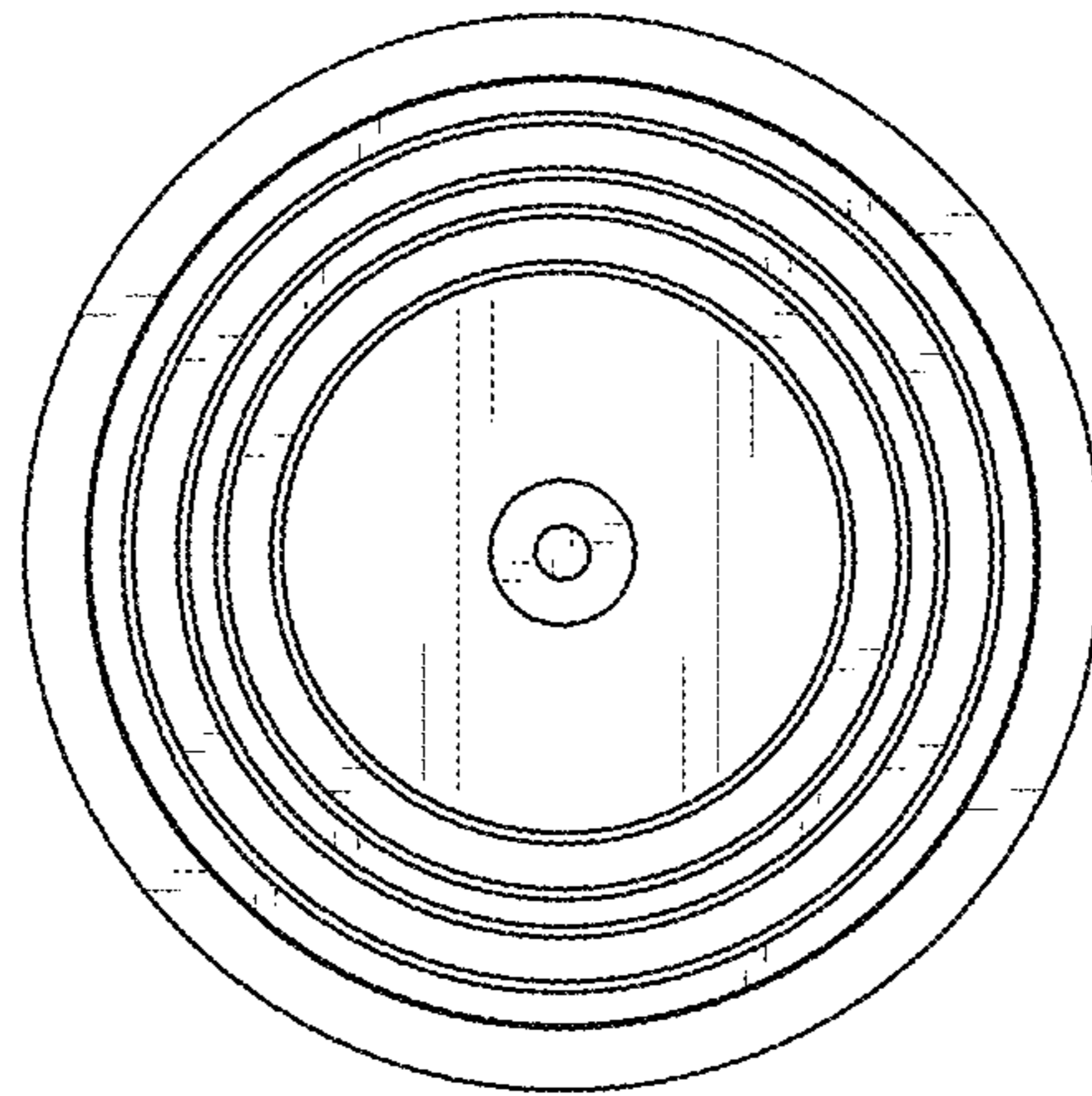


FIG. 8

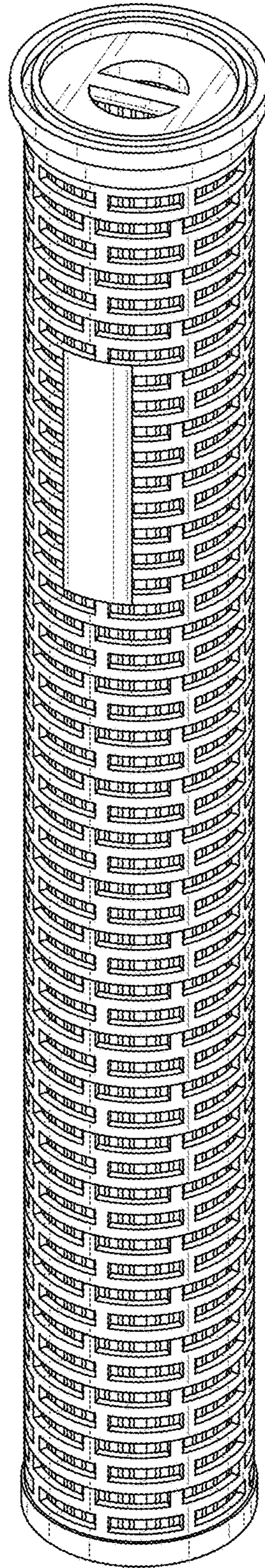


FIG. 9

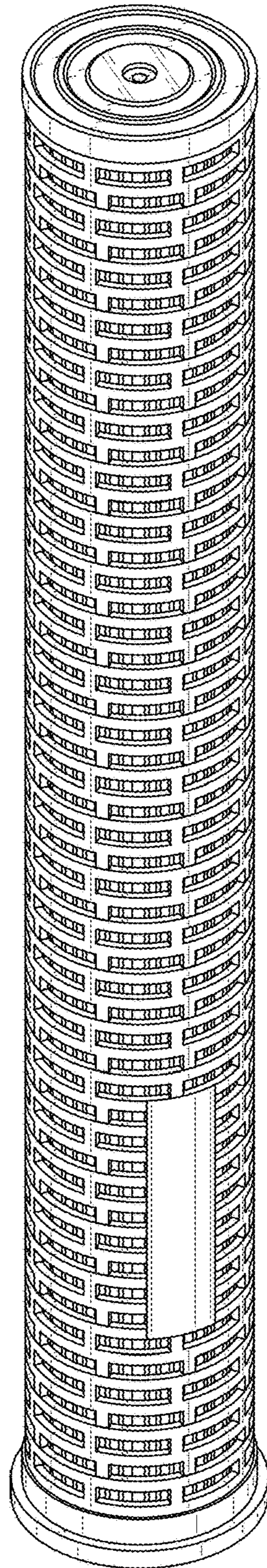


FIG. 10

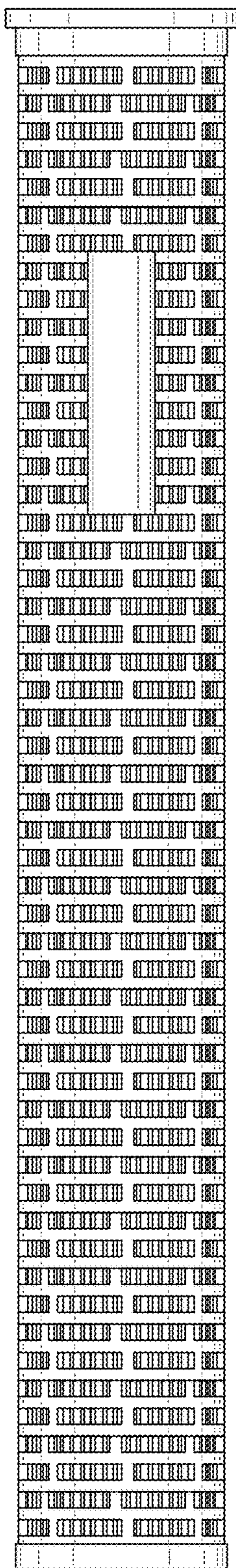


FIG. 11

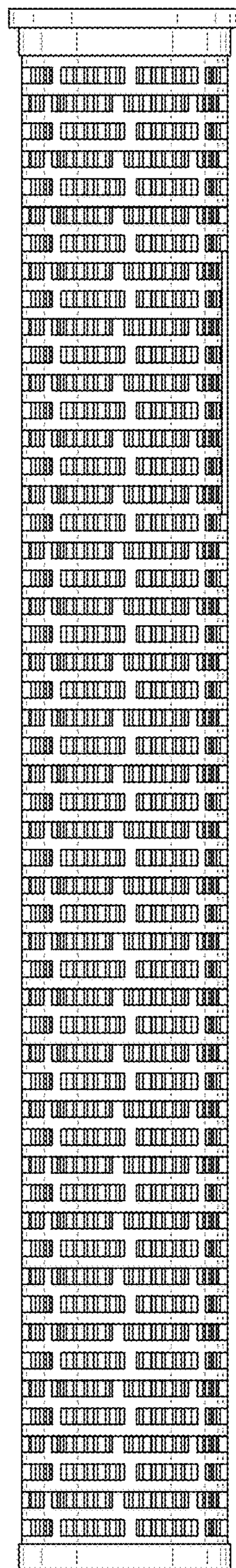


FIG. 12

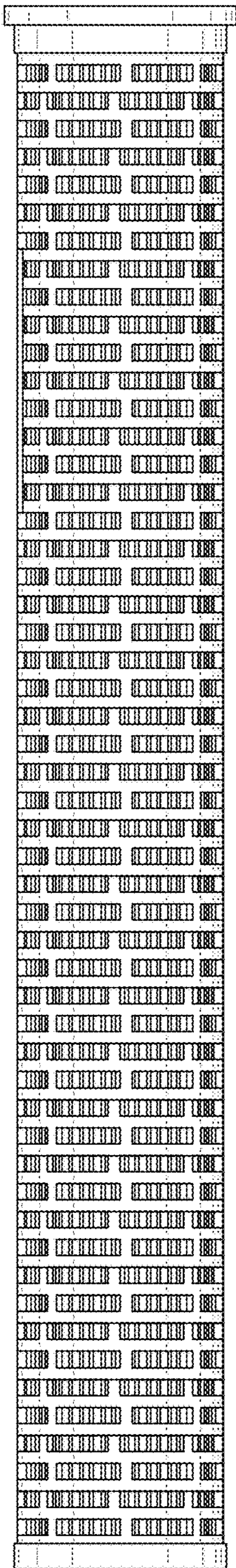


FIG. 13

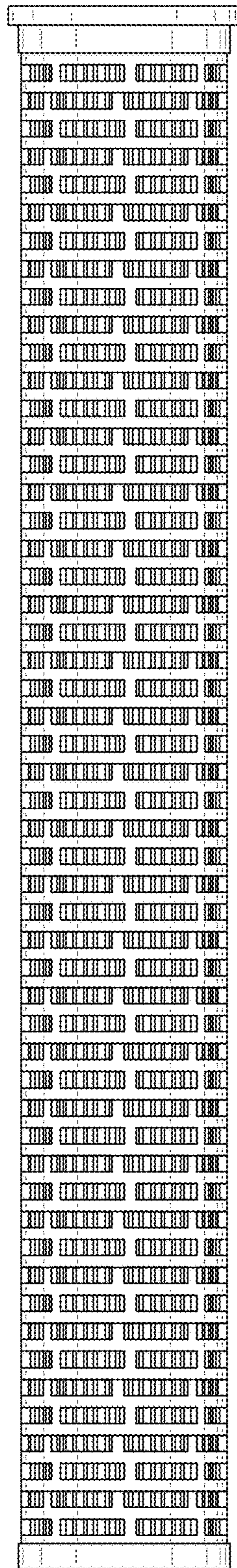


FIG. 14

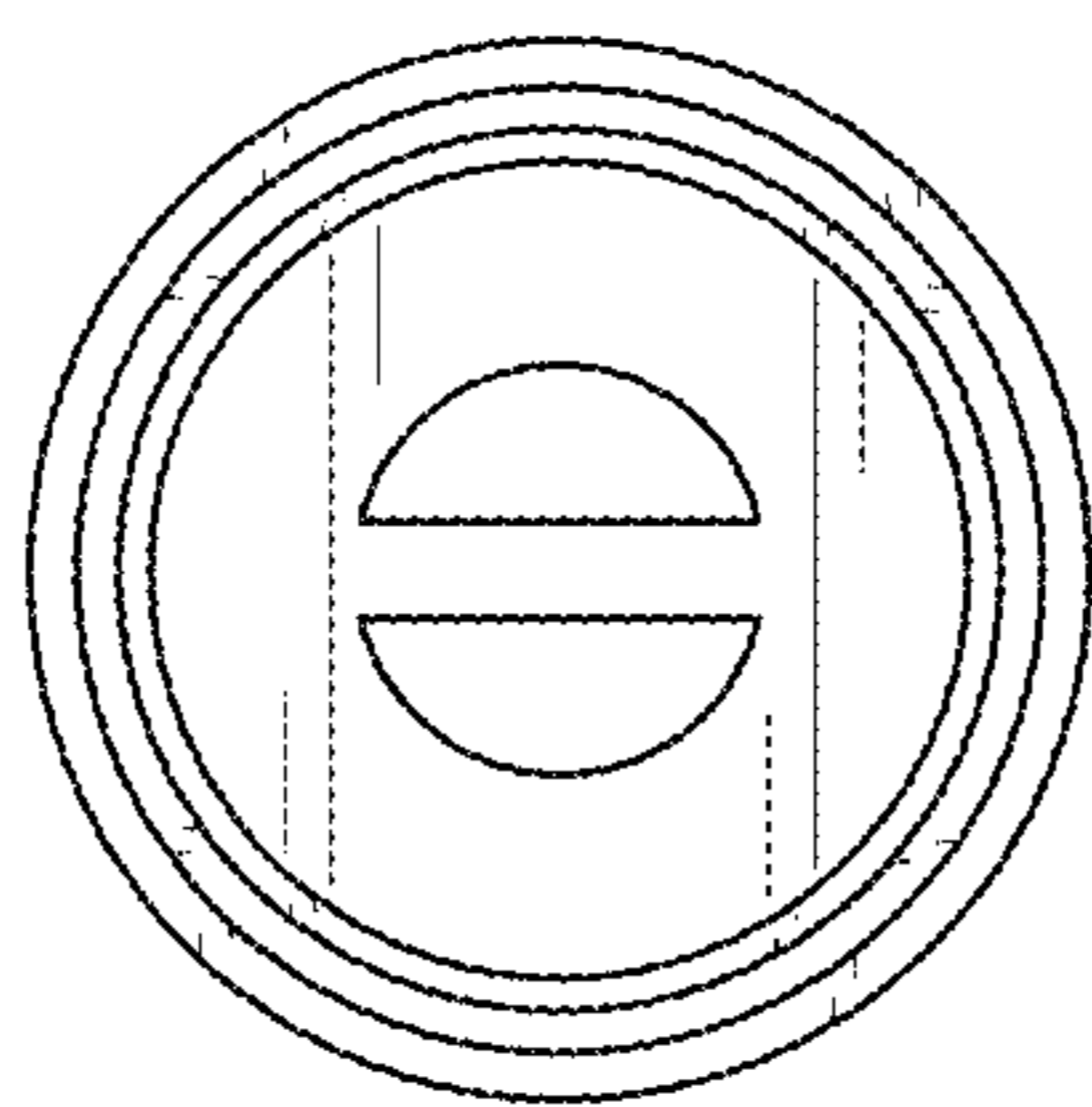


FIG. 15

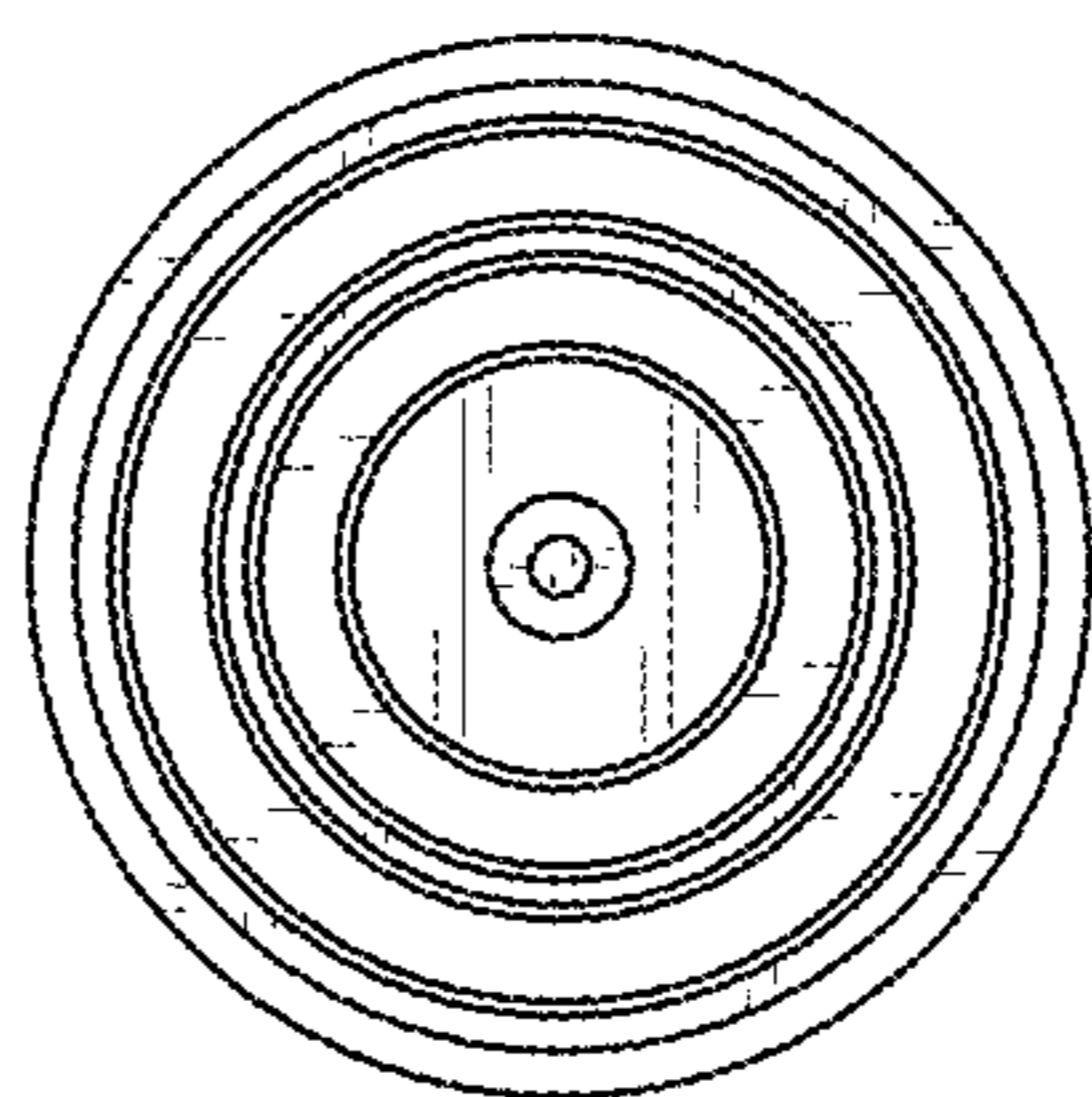


FIG. 16