



US00D825024S

(12) **United States Design Patent**  
**Wingett et al.**

(10) **Patent No.: US D825,024 S**

(45) **Date of Patent: \*\* Aug. 7, 2018**

(54) **INSECT TRAP**

4,959,923 A \* 10/1990 Aiello ..... A01M 1/145  
43/112

(71) Applicant: **RENTOKIL INITIAL 1927 PLC**,  
Surrey (GB)

D325,954 S \* 5/1992 Lazzeroni, Sr. .... D22/123

D335,912 S \* 5/1993 Brown ..... D22/119

D365,379 S \* 12/1995 Nayler ..... D22/123

D443,913 S \* 6/2001 Aiello ..... D22/123

D450,802 S \* 11/2001 Aiello ..... D22/123

D516,158 S \* 2/2006 Shapland ..... D22/123

(72) Inventors: **Gary Wingett**, Southampton (GB);  
**Michael Best**, Southampton (GB);  
**Vicky Rands**, Salisbury (GB)

(\*\*) Term: **15 Years**

**OTHER PUBLICATIONS**

(21) Appl. No.: **35/503,095**

<https://www.rentokil.com/blog/why-are-insects-attracted-to-light/>  
[May 4, 2018 6:00:37 AM] (Year: 2017).\*

(22) Filed: **May 22, 2017**

\* cited by examiner

(80) **Hague Agreement Data**

Int. Filing Date: **May 22, 2017**

Int. Reg. No.: **DM/096166**

Int. Reg. Date: **May 22, 2017**

Int. Reg. Pub. Date: **Jun. 9, 2017**

*Primary Examiner* — Michael Aaron Pratt

(51) **LOC (11) Cl.** ..... **22-06**

(52) **U.S. Cl.**  
USPC ..... **D22/123**

(57) **CLAIM**

The ornamental design for an insect trap, as shown and described.

(58) **Field of Classification Search**  
USPC ..... D22/119–124  
CPC ..... A01M 1/02; A01M 1/14; A01M 2200/012  
See application file for complete search history.

**DESCRIPTION**

(56) **References Cited**

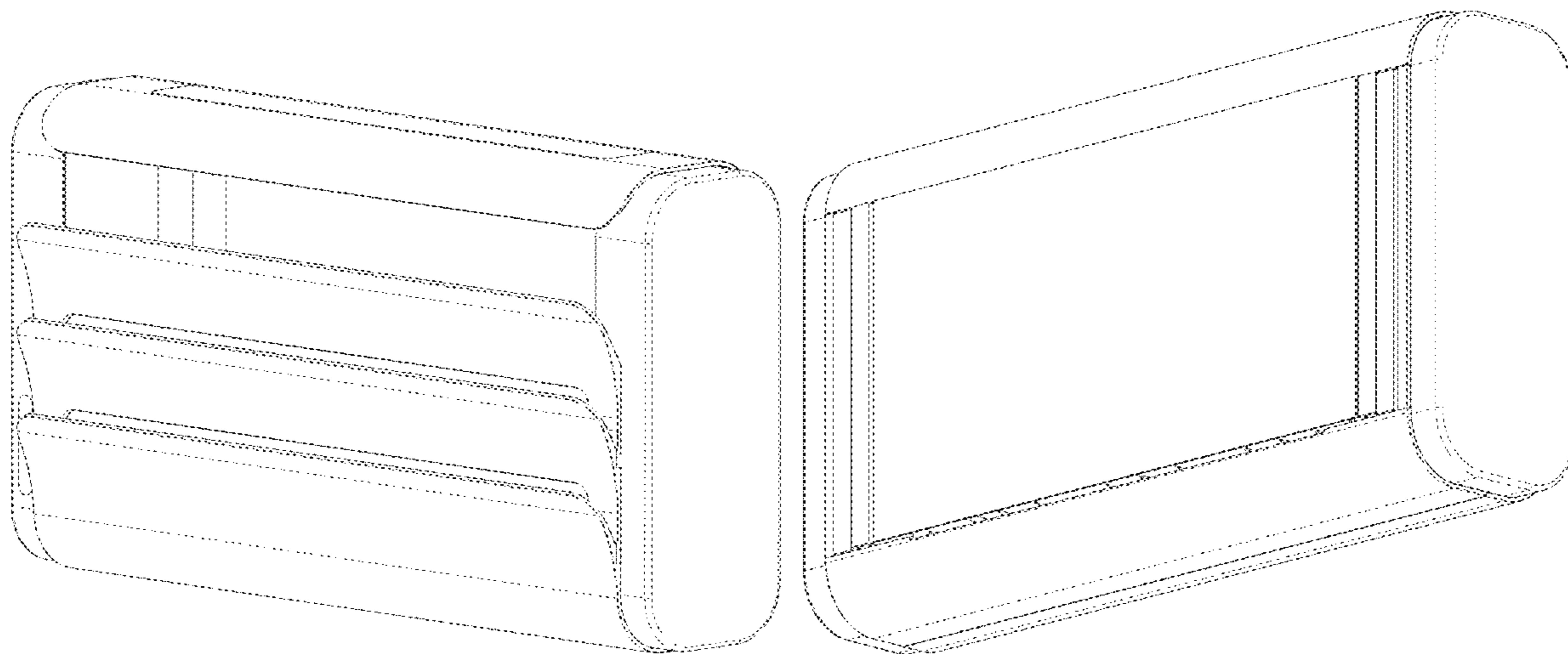
**U.S. PATENT DOCUMENTS**

D266,448 S \* 10/1982 Schneider ..... D22/123

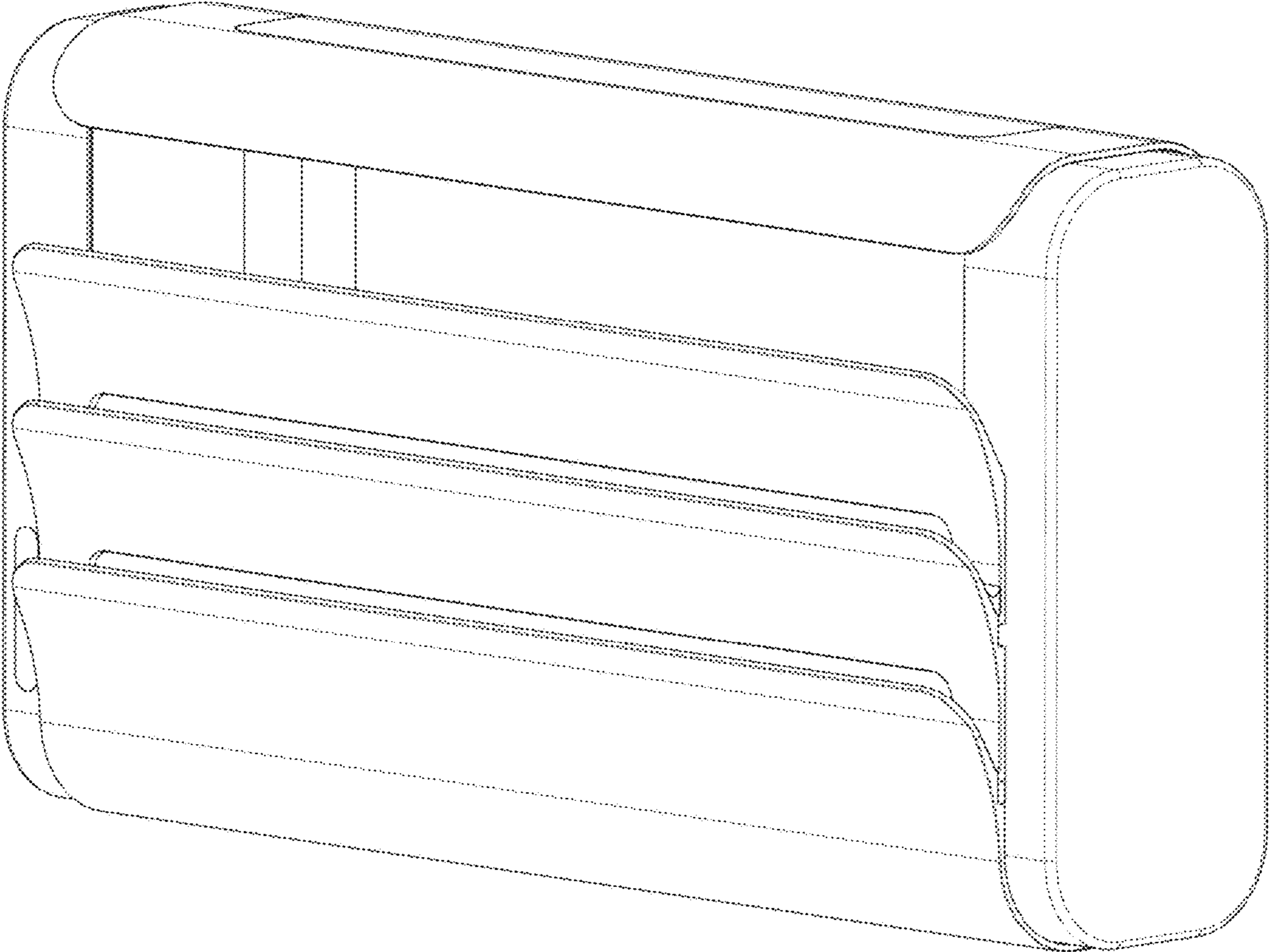
D269,632 S \* 7/1983 Roberston ..... D22/123

- 1. Insect trap
- 1.1 : Perspective
- 1.2 : Perspective
- 1.3 : Front
- 1.4 : Back
- 1.5 : Left
- 1.6 : Top
- 1.7 : Bottom

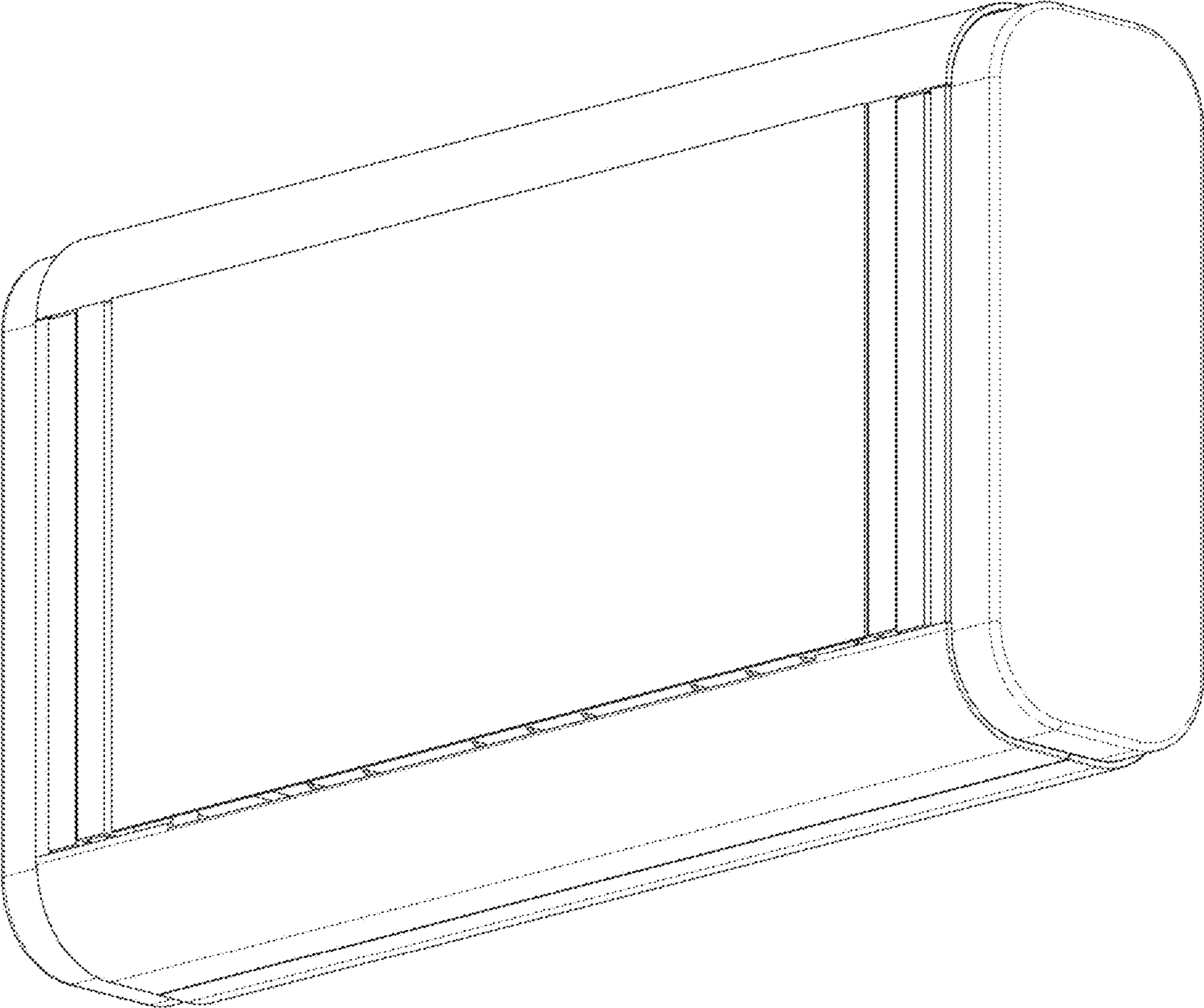
**1 Claim, 7 Drawing Sheets**



1.1



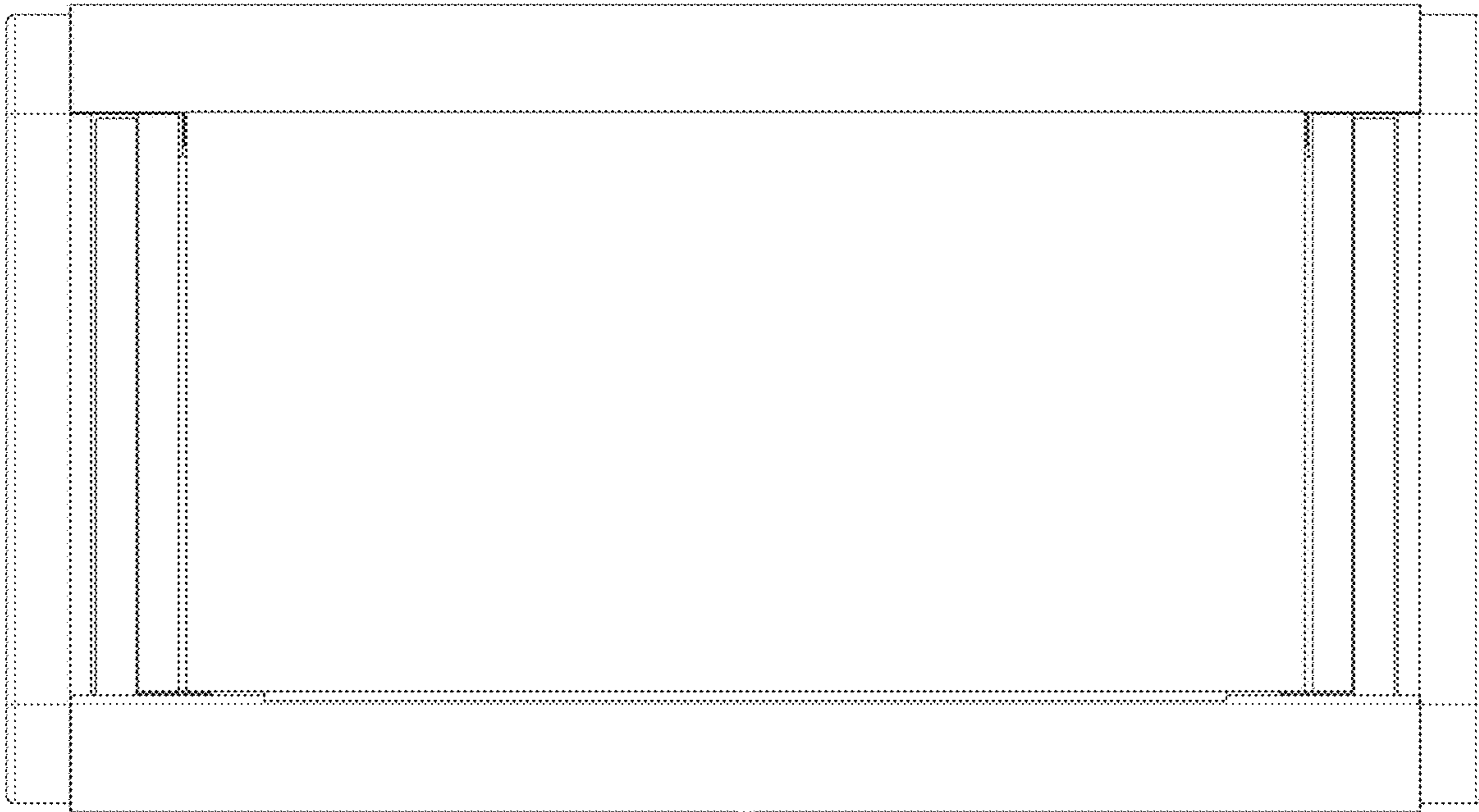
1.2



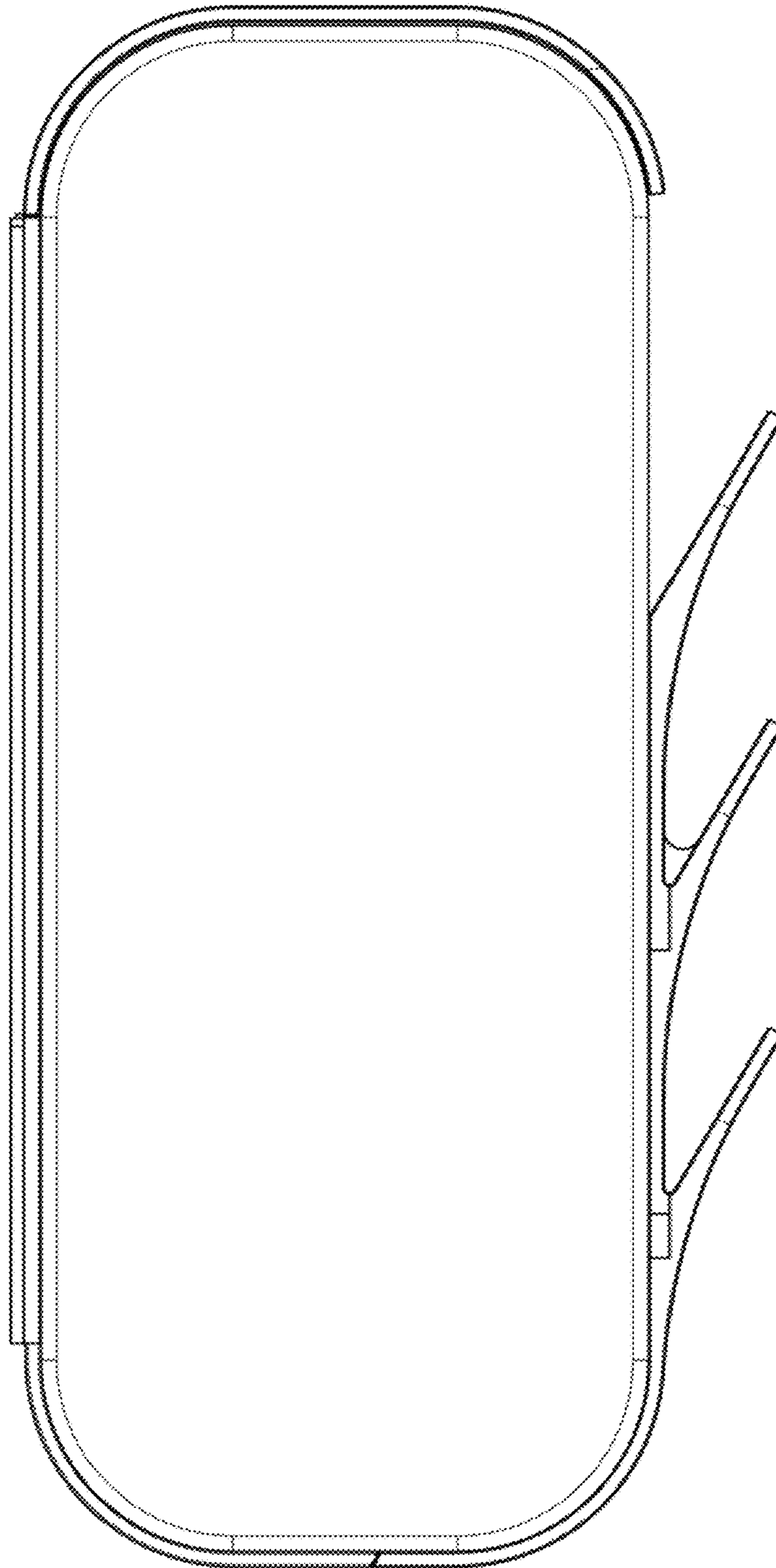
1.3



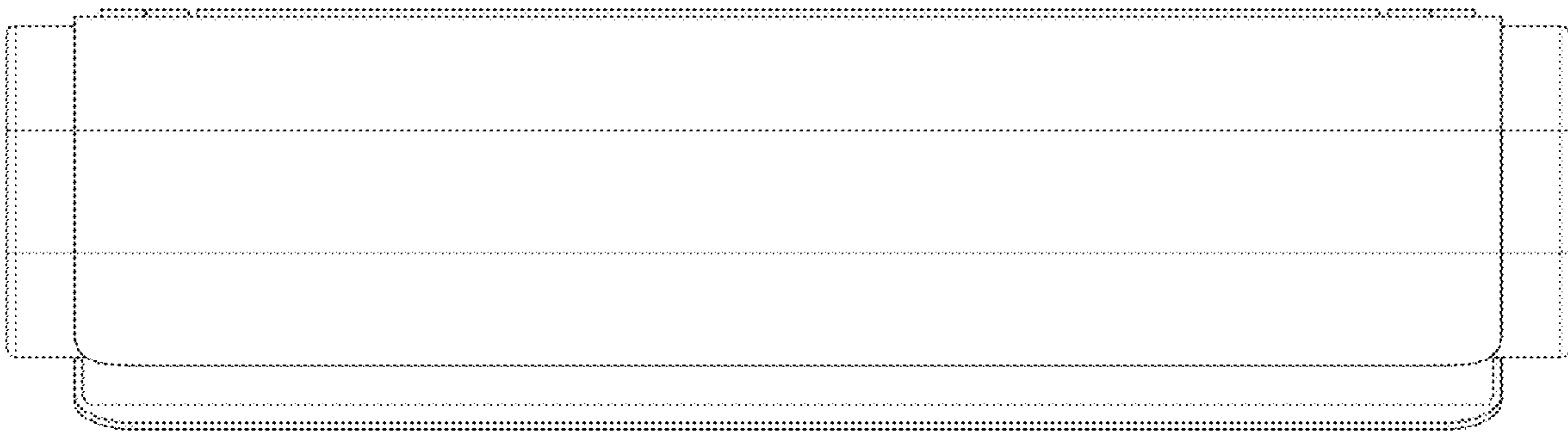
1.4



1.5



1.6



1.7

