



US00D825023S

(12) **United States Design Patent** (10) **Patent No.:** **US D825,023 S**
Jozaitis et al. (45) **Date of Patent:** **** Aug. 7, 2018**

(54) **RING FOR AN OPTICAL SCOPE**
(71) Applicant: **AIRTRONIC USA, LLC**, Spring Branch, TX (US)
(72) Inventors: **Eric Jozaitis**, Spring Branch, TX (US); **Ryan Mezynski**, Spring Branch, TX (US); **Mike Byars**, Spring Branch, TX (US)
(73) Assignee: **AIRTRONIC USA, LLC**, Spring Branch, TX (US)

(**) Term: **15 Years**

(21) Appl. No.: **29/542,221**

(22) Filed: **Oct. 12, 2015**

(51) **LOC (11) Cl.** **22-01**

(52) **U.S. Cl.**
USPC **D22/110**

(58) **Field of Classification Search**
USPC D22/108-110; D16/136
CPC F41G 11/001; F41G 11/003; F41G 11/004;
F41G 11/005
See application file for complete search history.

(56) **References Cited**

U.S. PATENT DOCUMENTS

D262,481 S *	12/1981	Bechtel	D22/110
D269,449 S *	6/1983	Bechtel	D22/110
D269,450 S *	6/1983	Bechtel	D22/110
D270,173 S *	8/1983	Bechtel	D22/110
D391,335 S *	2/1998	Bechtel	D22/108
D403,393 S *	12/1998	Weast	D22/108
D435,284 S *	12/2000	Sutula	D22/100
D600,312 S *	9/2009	Swan	D22/109
D636,835 S *	4/2011	Fitzpatrick	D22/108
D732,632 S *	6/2015	Cheng	D22/109

D777,289 S *	1/2017	Cheng	D22/109
D779,623 S *	2/2017	Geissele	D22/110
D787,007 S *	5/2017	Maughn	D22/108
D791,903 S *	7/2017	Gale	F41C 27/00
				D22/108
D795,378 S *	8/2017	Huang	D22/108
D802,703 S *	11/2017	Perales	D22/109
D803,970 S *	11/2017	Saadon	D22/108
D806,198 S *	12/2017	Shelton	D22/108
2004/0148842 A1 *	8/2004	Aalto	F41G 11/003
				42/127
2008/0034638 A1 *	2/2008	Spuhr	F41G 11/006
				42/127
2013/0283663 A1 *	10/2013	Joplin	F41G 11/003
				42/124

* cited by examiner

Primary Examiner — Sandra S Snapp

Assistant Examiner — Holly E Thurman

(74) *Attorney, Agent, or Firm* — Polsinelli PC

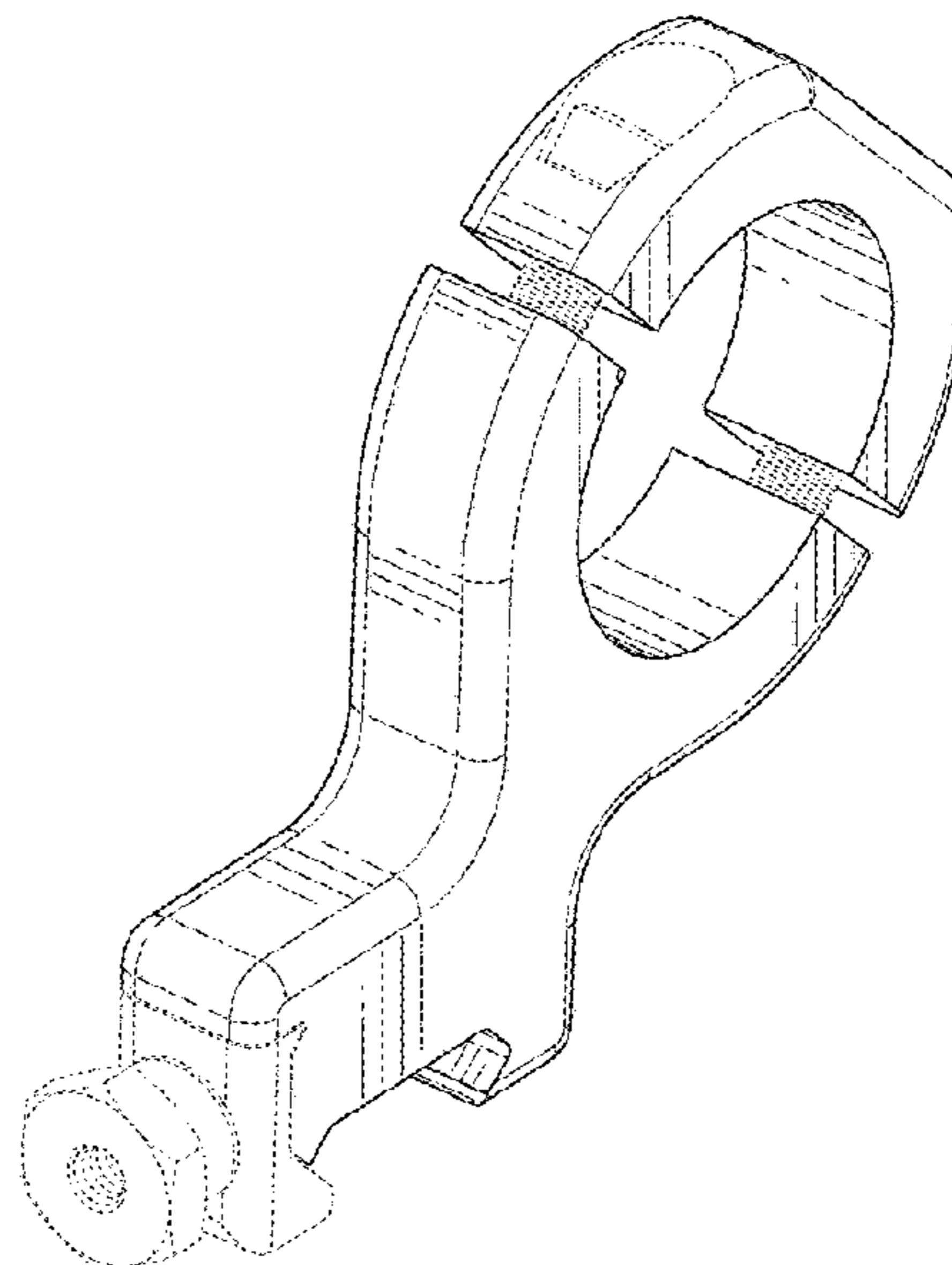
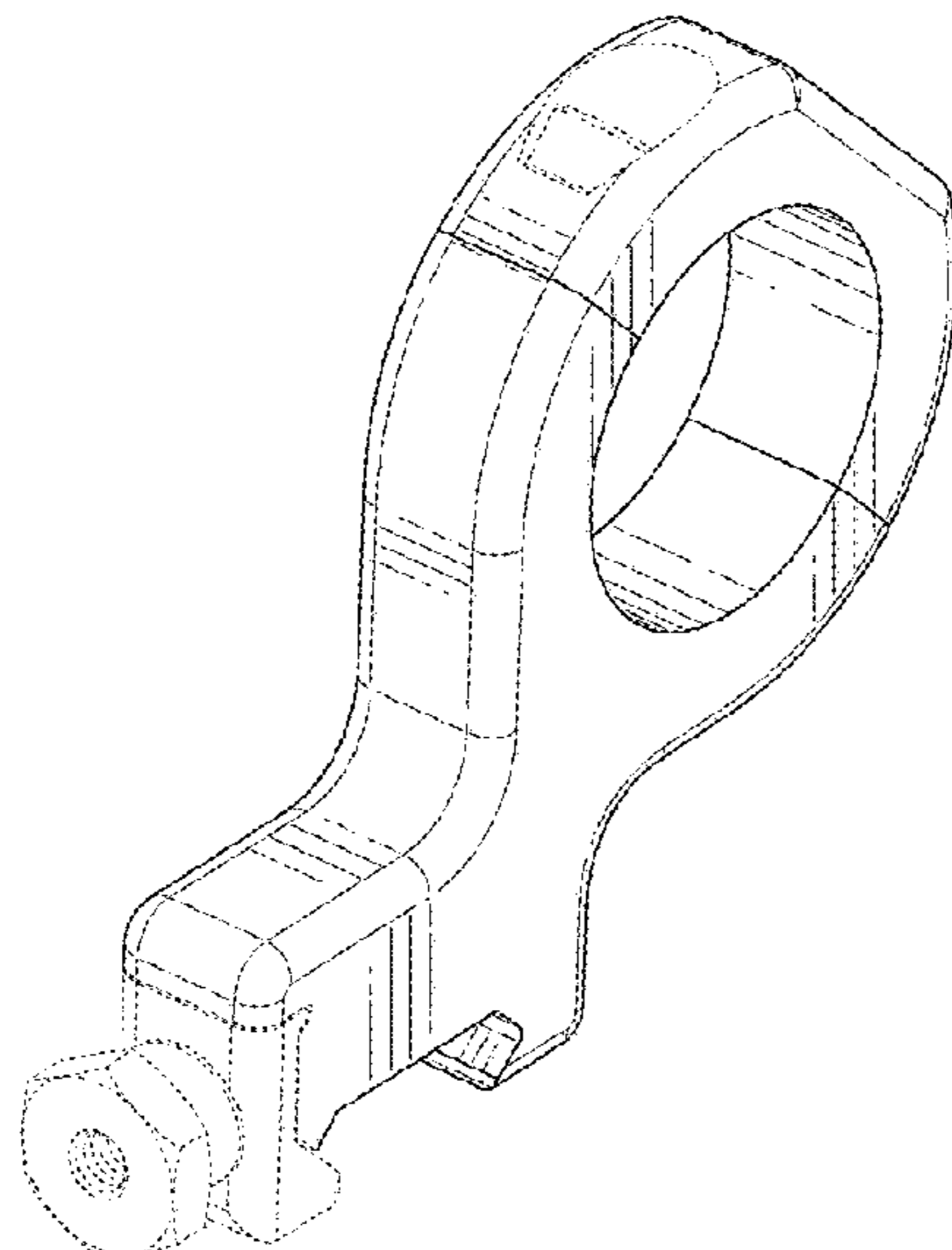
(57) **CLAIM**

We claim the ornamental design for a ring for an optical scope, as shown and described.

DESCRIPTION

FIG. 1 is a perspective view of an embodiment of a ring for an optical scope, showing our new design; FIG. 2 is a front elevational view of FIG. 1; FIG. 3 is a rear elevational view of FIG. 1; FIG. 4 is a left side elevational view of FIG. 1; FIG. 5 is a right side elevational view of FIG. 1; FIG. 6 is a top plan view of FIG. 1; FIG. 7 is a bottom plan view of FIG. 1; and, FIG. 8 is an exploded, perspective view of FIG. 1. Broken lines are for illustrating unclaimed portions of the ring for an optical scope; the broken lines form no part of the claimed design.

1 Claim, 8 Drawing Sheets



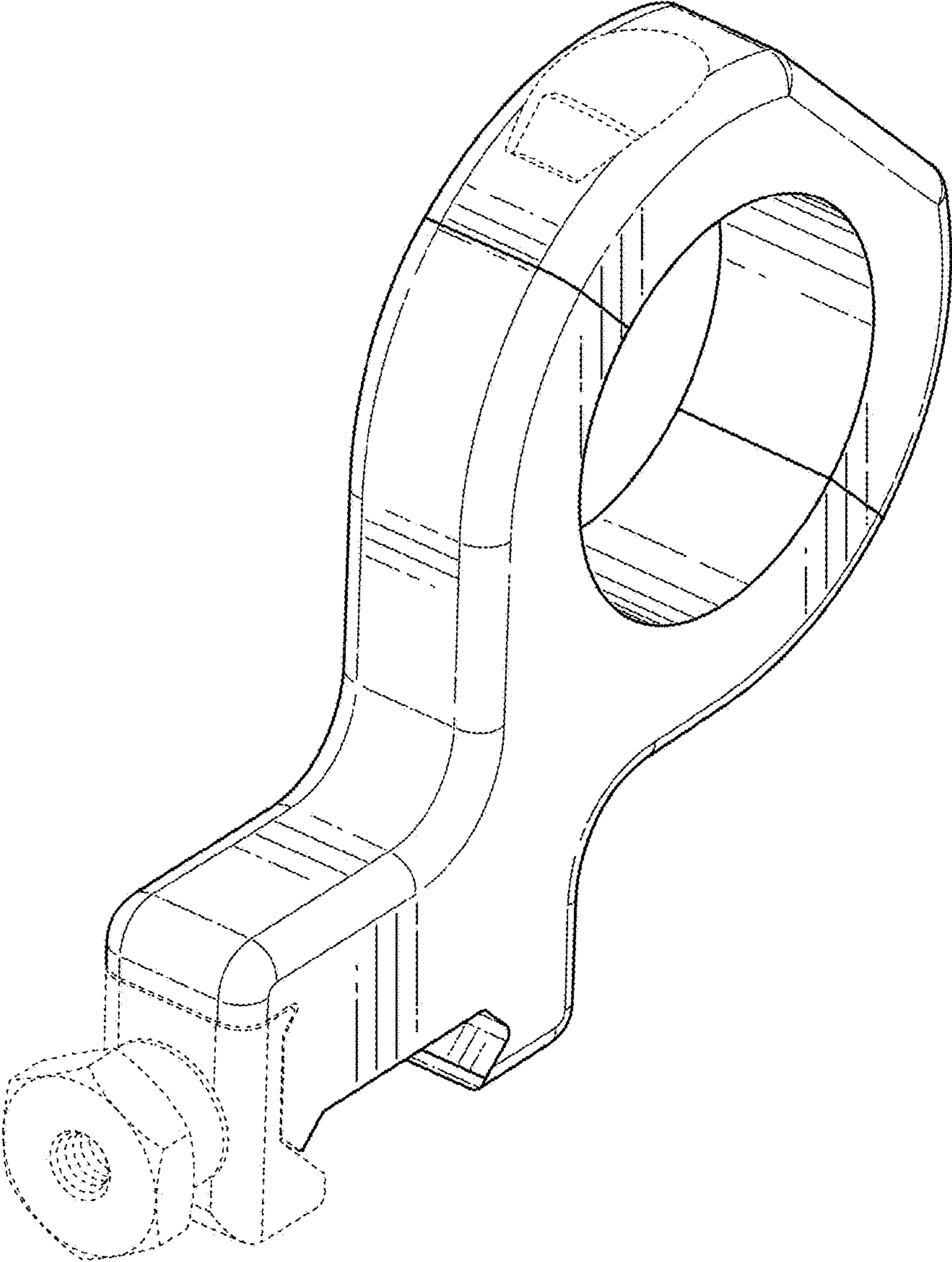


FIG. 1

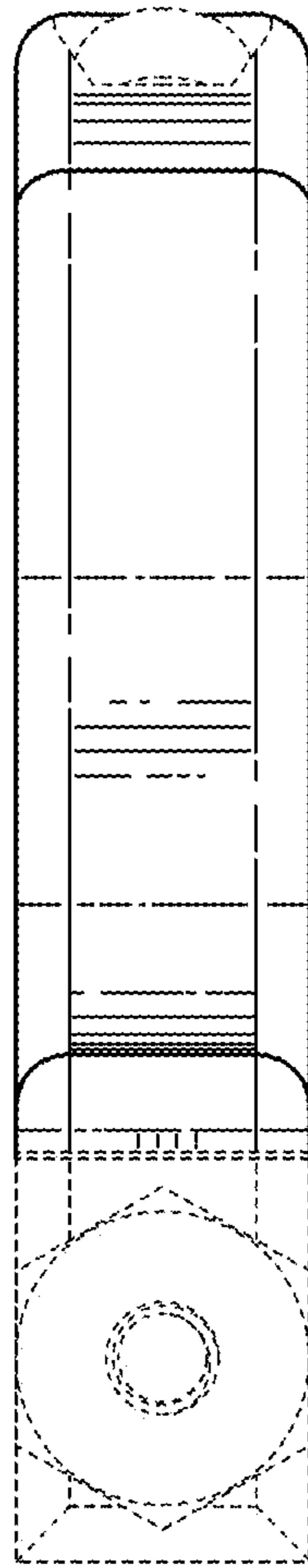


FIG. 2

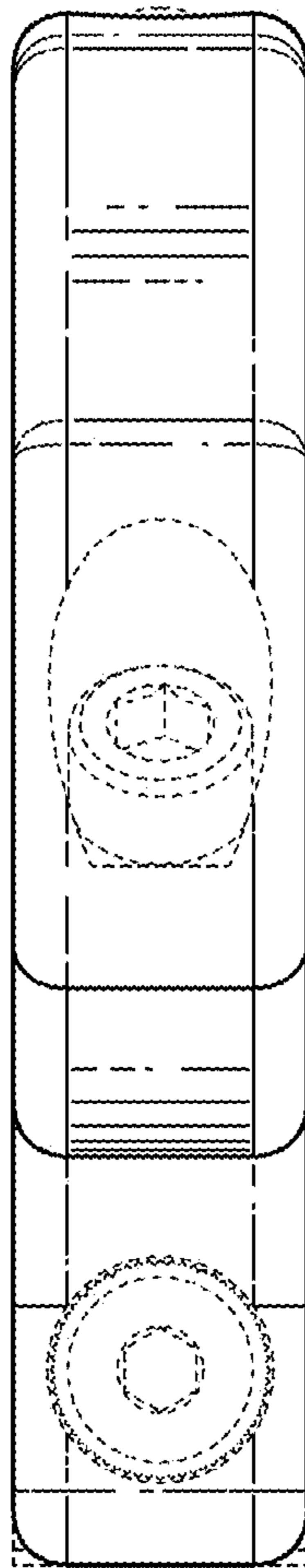


FIG. 3

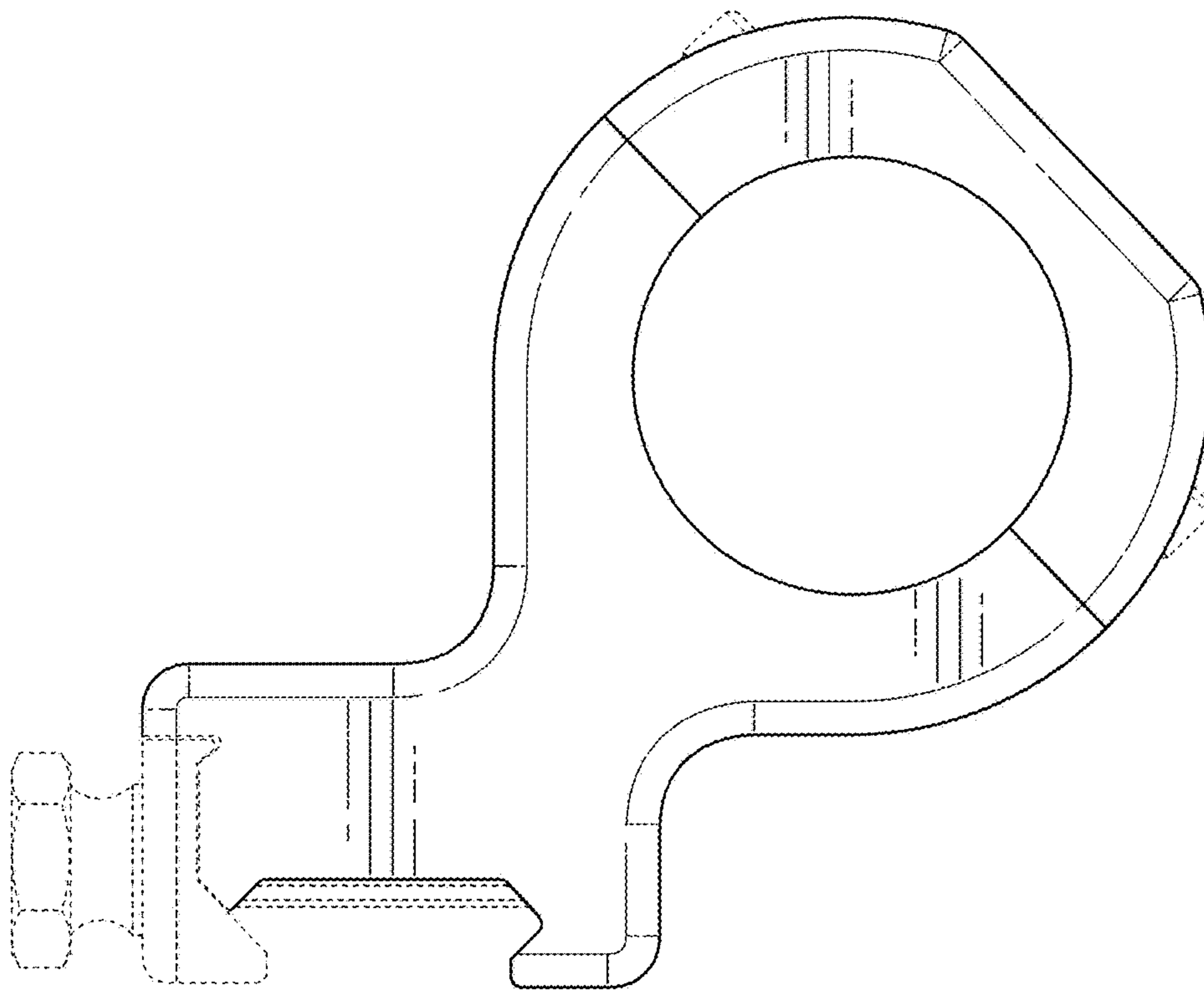


FIG. 4

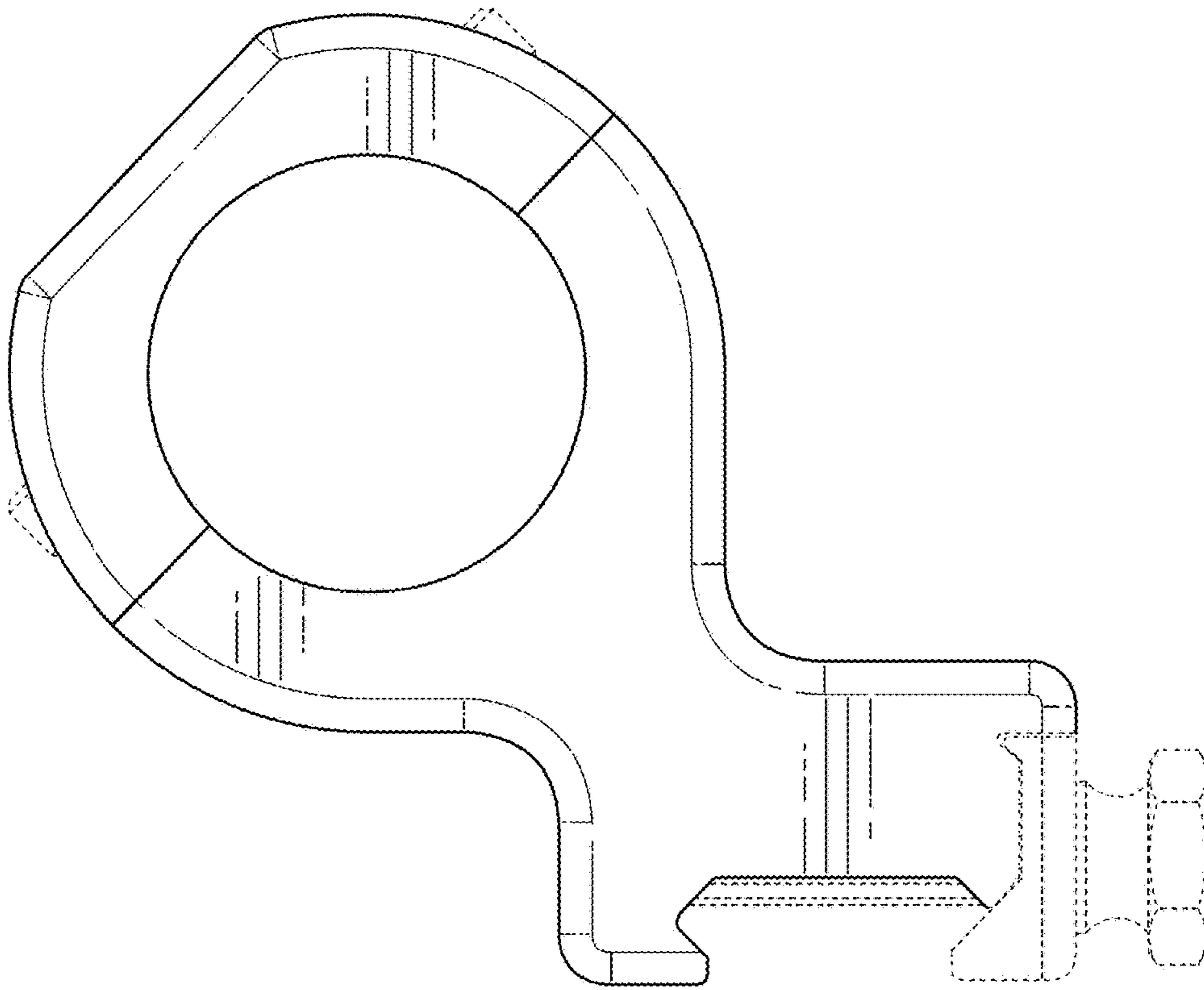


FIG. 5

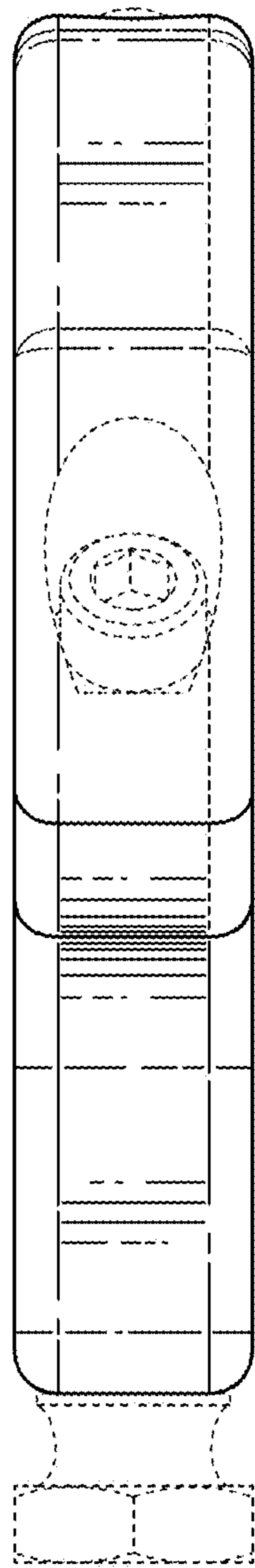


FIG. 6

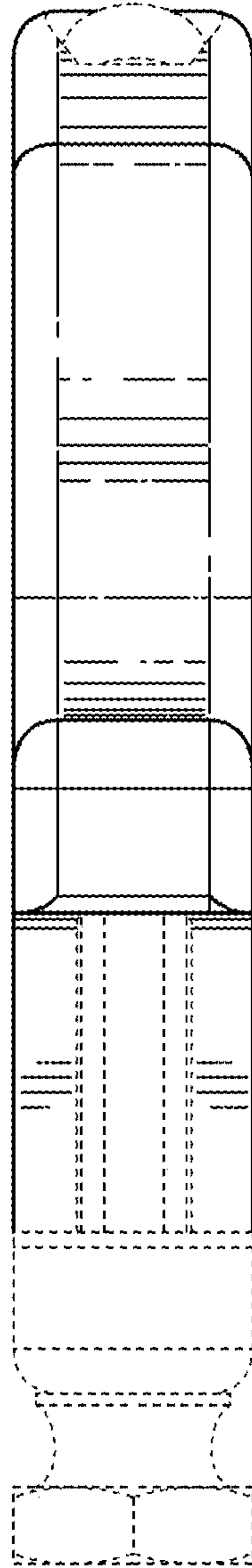


FIG. 7

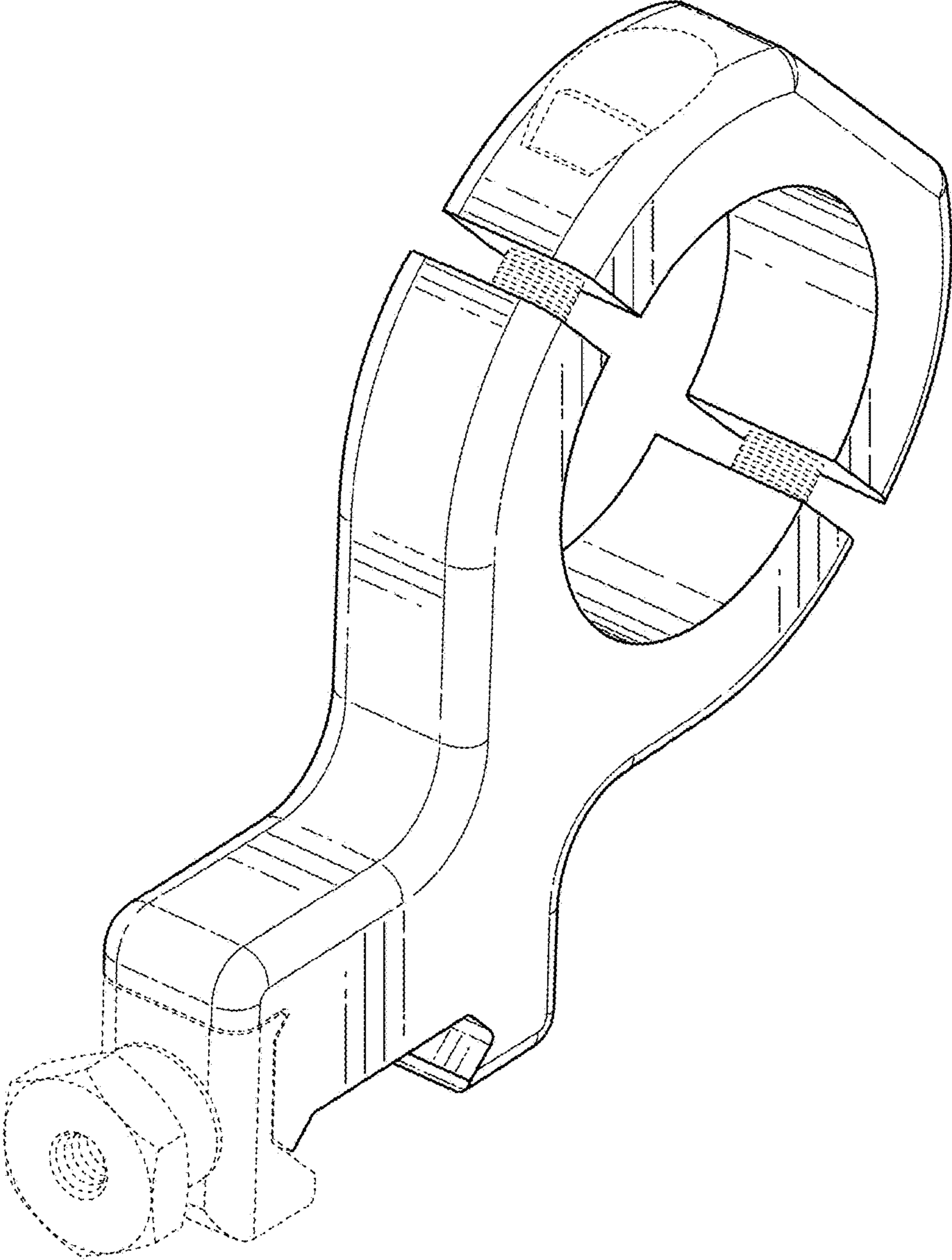


FIG. 8