



US00D825022S

(12) **United States Design Patent** (10) **Patent No.:** **US D825,022 S**
Geissele et al. (45) **Date of Patent:** **** Aug. 7, 2018**

(54) **FIREARM ACCESSORY MOUNT**

(56) **References Cited**

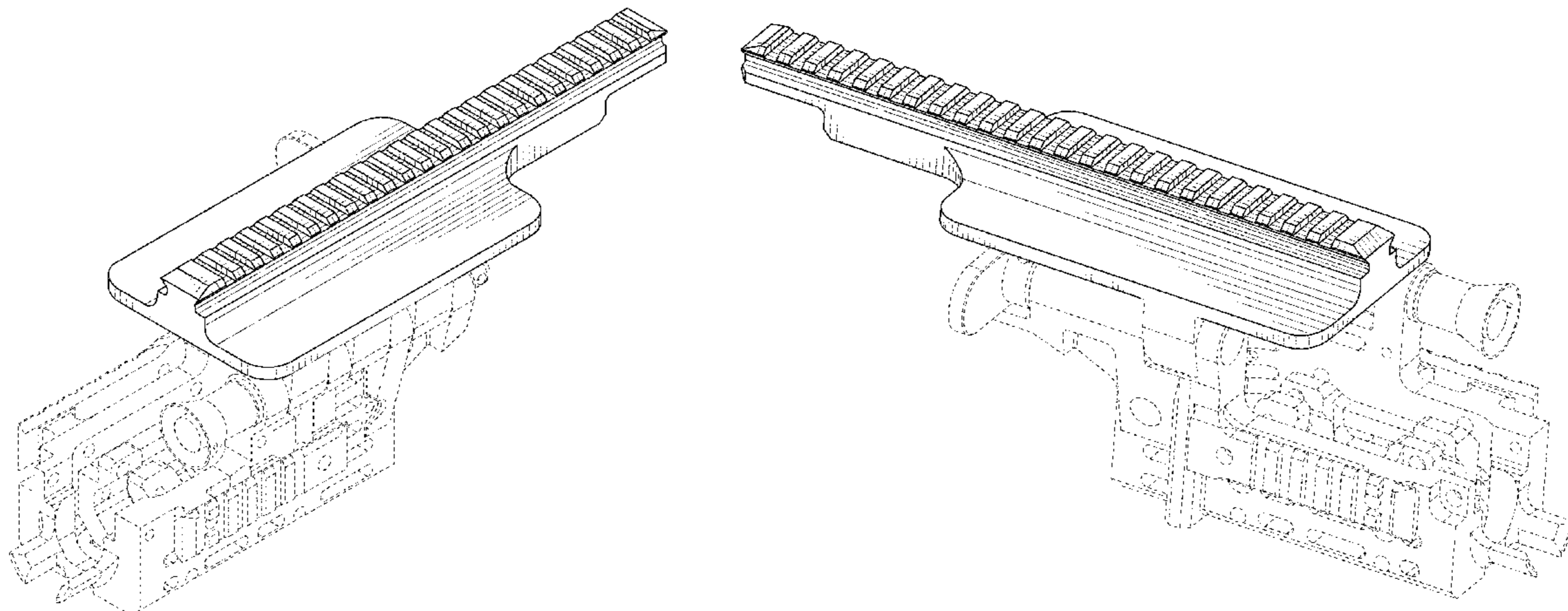
- (71) Applicant: **WHG Properties, LLC**, North Wales, PA (US)
- (72) Inventors: **William H. Geissele**, Lower Gwynedd, PA (US); **Frank E. Robinson**, Schwenksville, PA (US)
- (73) Assignee: **WHG Properties, LLC**, North Wales, PA (US)
- (**) Term: **15 Years**
- (21) Appl. No.: **29/619,555**
- (22) Filed: **Sep. 29, 2017**

U.S. PATENT DOCUMENTS

D318,313	S	*	7/1991	Bechtel	D22/110
5,134,798	A	*	8/1992	Lee	F41G 11/003
						42/114
5,590,484	A	*	1/1997	Mooney	F41G 1/16
						42/111
D410,061	S	*	5/1999	Emerson	D22/100
5,941,489	A		8/1999	Fanelli		
D435,885	S		1/2001	Wallace		
D486,878	S		2/2004	Selvaggio		
D487,792	S	*	3/2004	Selvaggio	D22/110
D510,120	S		9/2005	Ding		
D511,365	S		11/2005	Ding		
D513,298	S		12/2005	Ding		
D513,299	S		12/2005	Ding		
D513,633	S	*	1/2006	Ding	D22/110
D533,618	S		12/2006	Swan		
D537,901	S		3/2007	Elkaim		
D542,880	S		5/2007	Cheng		
D543,605	S		5/2007	Cheng		
D548,811	S		8/2007	Swan		
D555,751	S	*	11/2007	Cheng	D22/109
7,367,152	B2		5/2008	Samson		
D577,094	S		9/2008	Wallace		
7,481,016	B2		1/2009	Gonzalez		
D606,155	S		12/2009	Swan		
D630,698	S		1/2011	Peterson		
D632,753	S	*	2/2011	Leighton	D22/109
D637,683	S		5/2011	Salsman		
D643,086	S	*	8/2011	Peterson	D22/103
8,104,211	B2		1/2012	Darian		
D654,134	S		2/2012	Edge		
D654,135	S		2/2012	Edge		
D672,840	S	*	12/2012	Neufeld	D22/108
D673,239	S	*	12/2012	Cheng	D22/109
D674,034	S	*	1/2013	Oliver	D22/108
D674,860	S		1/2013	Deros		
8,341,866	B1		1/2013	Gaddini		
D676,095	S		2/2013	Peterson		
8,510,983	B2		8/2013	Larue		
D709,582	S		7/2014	Geissele		
D713,921	S	*	9/2014	Williams	D22/109
8,857,097	B2		10/2014	Rorick		
D718,832	S	*	12/2014	Huang	D22/108
8,898,948	B1		12/2014	Gaddini		
D725,223	S		3/2015	Heidkamp		
9,015,982	B1		4/2015	Powers		
D732,628	S		6/2015	Cheng		
D732,631	S	*	6/2015	Cheng	D22/109
D732,634	S	*	6/2015	Cheng	D22/109

Related U.S. Application Data

- (62) Division of application No. 29/575,465, filed on Aug. 25, 2016, now Pat. No. Des. 802,077.
- (51) **LOC (11) Cl.** **22-01**
- (52) **U.S. Cl.**
USPC **D22/109**
- (58) **Field of Classification Search**
USPC D22/108-109; D16/130, 132-134, 330; 89/111-113; 359/399, 823; 42/104, 105, 42/111-113, 116, 120, 124-126, 42/127-129, 141-148, 133-140; 33/227, 33/229
CPC F41G 1/00; F41G 1/01; F41G 1/02; F41G 1/06; F41G 1/065; F41G 1/08; F41G 1/10; F41G 1/12; F41G 1/14; F41G 1/30; F41G 1/32; F41G 1/38; F41G 1/40; F41G 1/42; F41G 1/44; F41G 1/46; F41G 1/383; F41G 1/387; F41G 1/393; F41G 3/00; F41G 3/005; F41G 3/02; F41G 3/04; F41G 3/06; F41G 3/14; F41G 11/001; F41G 11/002; F41G 11/003; F41G 11/004; F41G 11/005
See application file for complete search history.



D733,249	S	*	6/2015	Cheng	D22/109
D737,923	S		9/2015	Norberg		
D737,925	S		9/2015	Norberg		
D738,986	S		9/2015	Anderson		
D739,912	S		9/2015	Norberg		
D741,442	S	*	10/2015	Wilson	D22/108
9,285,186	B1		3/2016	Di Veroli		
D761,929	S		7/2016	Hormann		
D768,256	S	*	10/2016	Bentley	D22/108
9,470,480	B2	*	10/2016	Kirchhoff	F41G 11/001
D781,985	S	*	3/2017	McKillips	D22/108
D787,007	S	*	5/2017	Maughn	D22/108
D795,378	S	*	8/2017	Huang	D22/108
D802,077	S	*	11/2017	Geissele	D22/109
D817,437	S	*	5/2018	Hancosky	D22/109
2006/0162227	A1		7/2006	Samson		
2007/0199225	A1		8/2007	Haugen		
2008/0005952	A1		1/2008	Sutherby		
2009/0038201	A1		2/2009	Cheng		
2011/0192068	A1		8/2011	Samson		
2011/0197491	A1		8/2011	McCann		
2013/0008073	A1		1/2013	Clifton		
2013/0036650	A1		2/2013	Larue		
2013/0185985	A1		7/2013	Ballard		
2013/0312309	A1		11/2013	Rorick		
2015/0198397	A1		7/2015	Motley		
2016/0033234	A1		2/2016	Swift		
2016/0102946	A1		4/2016	Sharron		
2016/0102947	A1		4/2016	Visinski		
2017/0023333	A1		1/2017	Faifer		
2017/0059280	A1		3/2017	Fravor		

OTHER PUBLICATIONS

M2 Browning Scope Mount with Picatinny Rail, ModArmory.com, [online], [site visited May 17, 2018]. <URL: <https://www.modarmory.com/product/m2-browning-scope-mount-with-picatinny-rail/>> (Year: 2018).*

M1A/M14 Receiver Scope Mount, SportsmansGuide.com, [online], [site visited May 17, 2018]. <URL: <https://www.sportsmansguide.com/product/index/m1a-m14-receiver-scope-mount?a=691402>> (Year: 2018).*

Leapers UTG Deluxe New Generation M1A 4 Point Picatinny Style Mount, CheaperThanDirt.com, [online], [site visited May 17, 2018]. <URL: <https://www.cheaperthandirt.com/product/leapers-utg-deluxe-new-generation-4-po>> (Year: 2018).*

M39 Mosin Nagant Scope Mount, AdvancedRifleParts.com, [online], [site visited May 17, 2018]. <URL: <https://www.advancedrifleparts.com/products/m39-mosin-nagant-scope-mount>> (Year: 2018).*

Aluminum Alloy Extension Gun Rail Mount for M4A1 I M16-Black, DX.com, [online], [site visited Jun. 19, 2017]. URL: <http://www.dx.com/p/aluminum-alloy-extension-gun-rail-mount-for-m4a1-m16-black-168343#.WUguHt7rtmM>.

Aim Sports Saiga 12g Quad Rail Mount with Covers, MountsPlus.com, [online], [site visited Jun. 19, 2017]. URL: http://www.mountsplus.com/AR-15_Accessories/AR-15_Scope_Rings/136-AIMS-MTSG02.html.

H&R1871 Nef Pardner Pump Shotgun Scope Base Rail Mount, TrinitySupply.com, [online], [site visited Jun. 19, 2017]. URL: <https://www.trinitysupply.com/H-R-1871-shotgun-saddle-mount-p/tr295.htm>.

Ultimate Arms Gear Tactical Heavy Duty Scope Sight Red Dot Weaver Picatinny Rail Mount, [online], [site visited Jun. 19, 2017].

URL: <http://ultimatearmsgear.com/products/ultimate-arms-gear-tactical-heavy-duty-scope-sight-red-dot-weaver-picatinny-rail-mount-for-the-m14-m14-m1a-norinco-m305-battle-rifle>.

FN-FN Picatinny Direct Thread USG Side Rail Aluminum, Brownells.com, [online], [site visited Jun. 19, 2017]. URL: <http://www.brownells.com/rifle-parts/forend-amp-handguard-parts/handguards-amp-rails/fn-picatinny-direct-thread-usg-side-rail-aluminum-prod72446.aspx>.

EGW HD 1-piece Picatinny-Style Scope Base 11 mm Dovetail Adapter CZ 452, 453, 455, 511 Matte, MidwayUSA.com, [online], [site visited Jun. 19, 2017]. URL: <https://www.midwayusa.com/product/1018817933/egw-hd-1-piece-picatinny-style-scope-base-11mm-dovetail-adapter-cz-452-453-455-511-matte>.

Sadlak Scope Mount M1A, M14 Matter, MidwayUSA.com, [online], [site visited Jun. 19, 2017]. URL: <https://www.midwayusa.com/product/2959580945/sadlak-scope-mount-m1a-m14-matte>.

ArmaDynamics PKM-RAP Mount, Amazon.com, [online], [site visited Jun. 19, 2017]. URL: https://www.amazon.com/Armadynamics-ArmaDynamics-PKM-RAP-Mount/dp/B003JIIVS8/ref=sr_1_189?s=hunting-fishing&ie=UTF8&qid=1497904857&sr=1-189&refinements=p_n_feature-keywords-browser-bin%3A4357984011.

* cited by examiner

Primary Examiner — T Chase Nelson

Assistant Examiner — Jonathan J Han

(74) *Attorney, Agent, or Firm* — Fox Rothschild LLP

(57)

CLAIM

The ornamental design for a firearm accessory mount, as shown and described.

DESCRIPTION

FIG. 1 is a perspective view of a firearm accessory mount according to the present disclosure.

FIG. 2 is another perspective view of the firearm accessory mount of FIG. 1.

FIG. 3 is a front view of the firearm accessory mount of FIG. 1.

FIG. 4 is a rear view of the firearm accessory mount of FIG. 1.

FIG. 5 is a left side view of the firearm accessory mount of FIG. 1.

FIG. 6 is a right side view of the firearm accessory mount of FIG. 1.

FIG. 7 is a top view of the firearm accessory mount of FIG. 1; and,

FIG. 8 is a bottom view of the firearm accessory mount of FIG. 1.

The broken lines in the Figures are used to illustrate unclaimed parts of the invention and form no part of the claimed design.

1 Claim, 7 Drawing Sheets

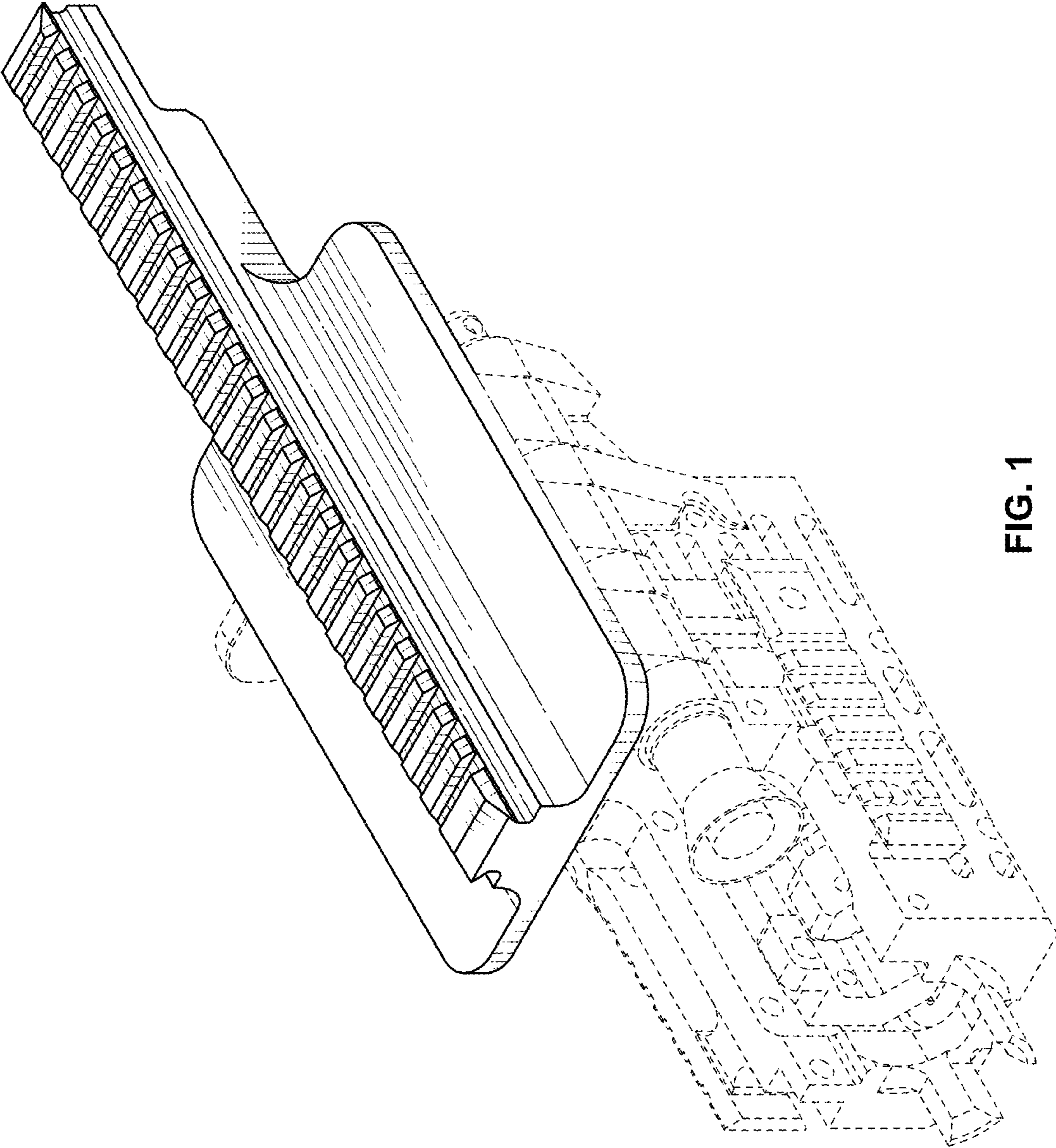


FIG. 1

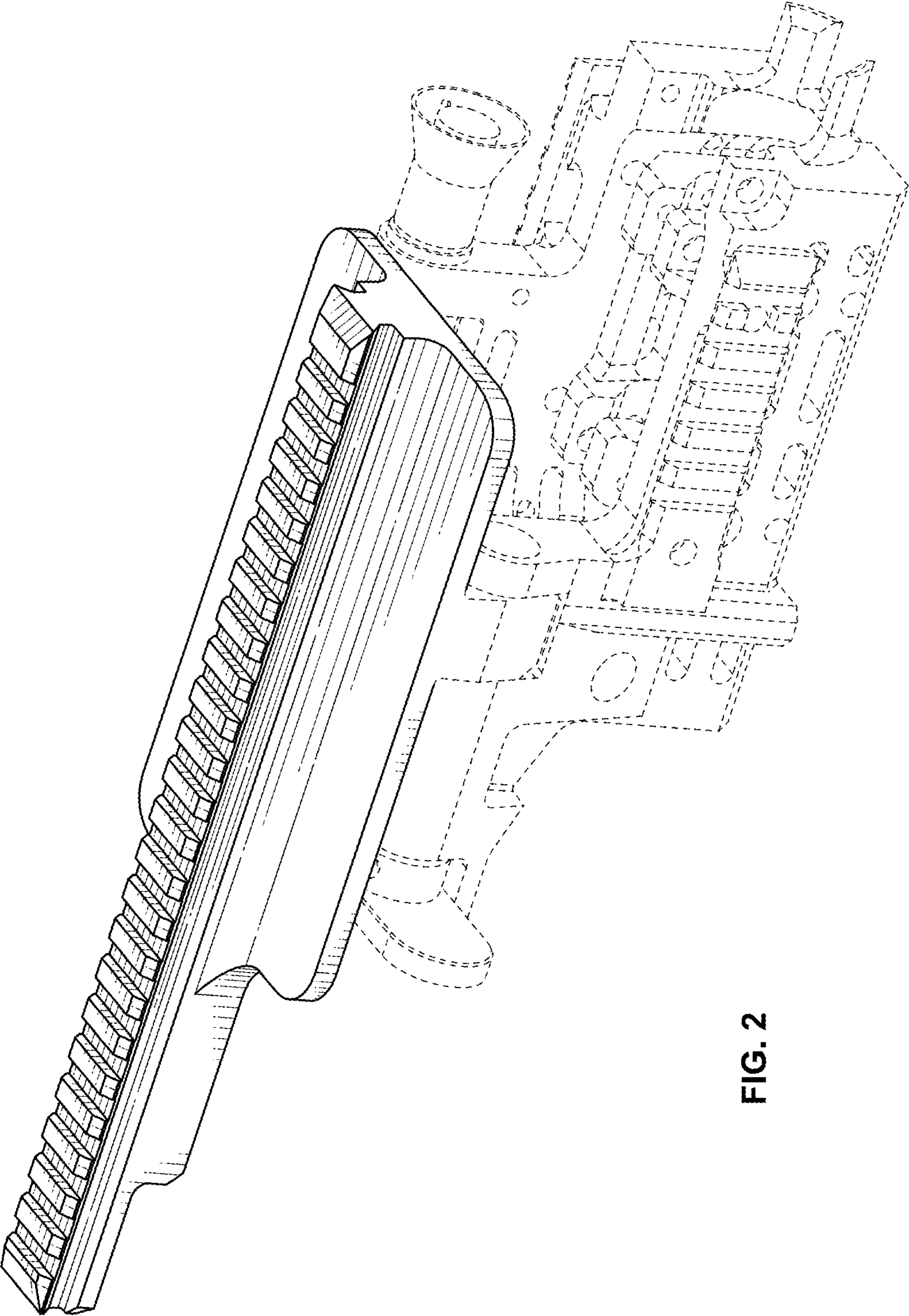


FIG. 2

FIG. 3

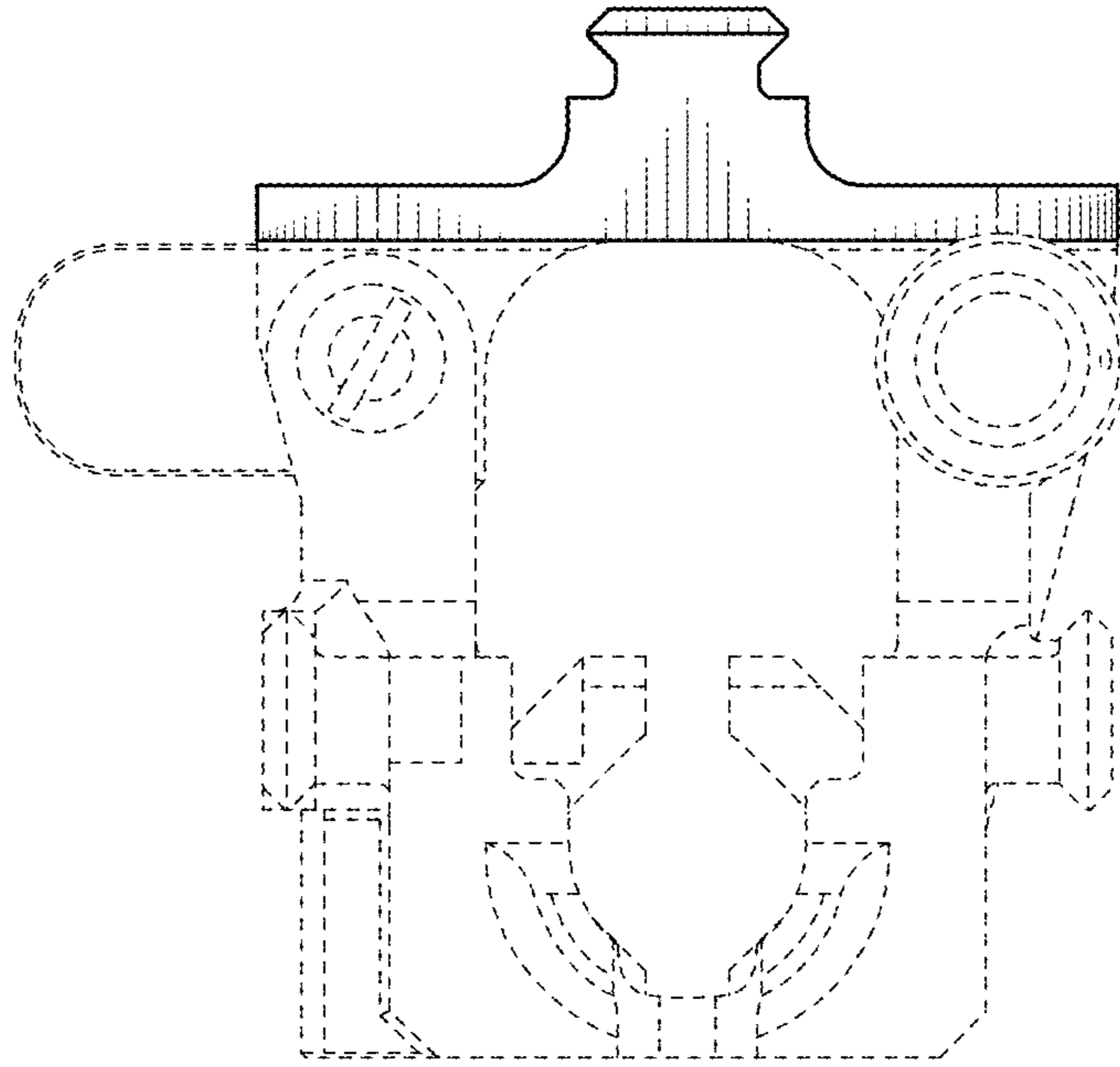
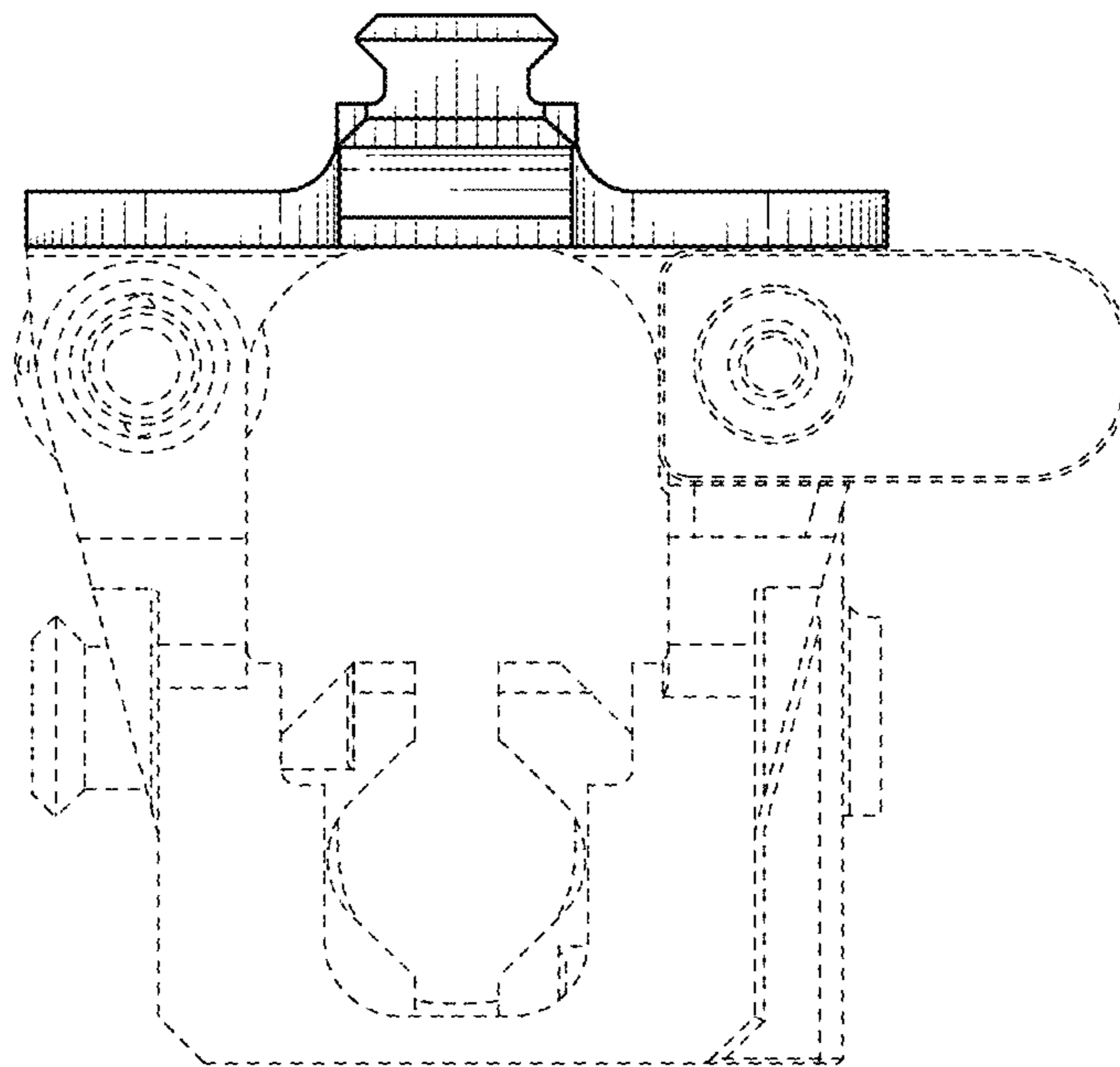


FIG. 4



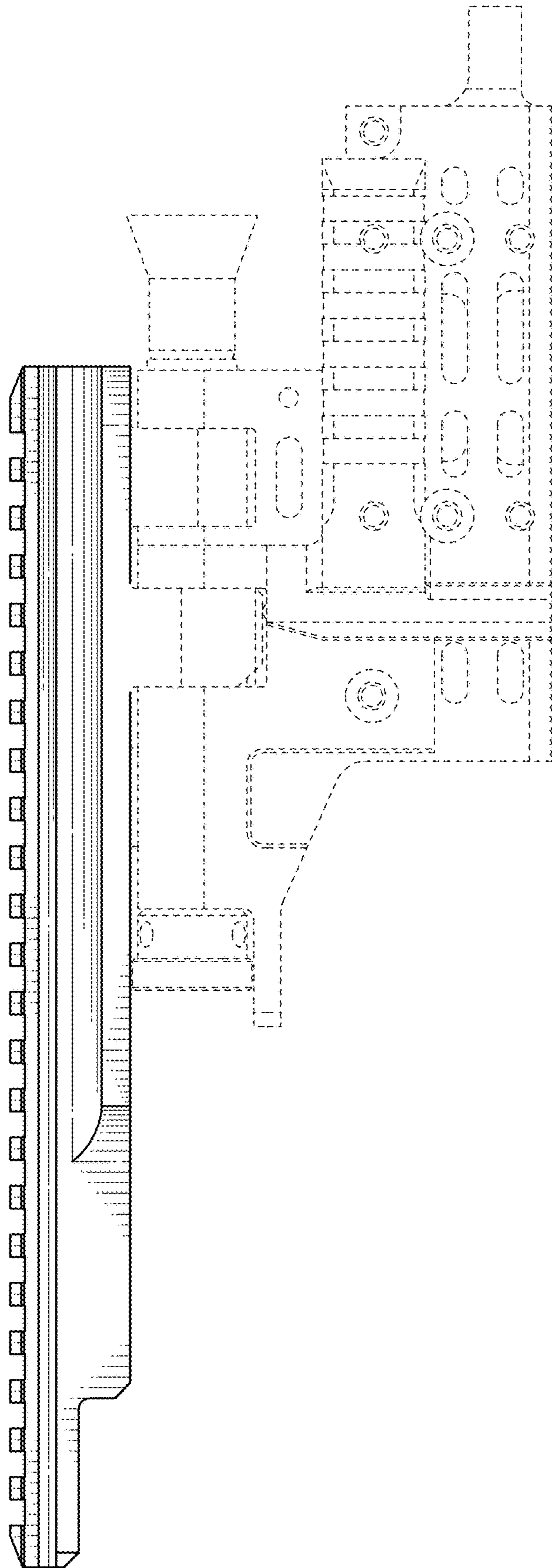


FIG. 5

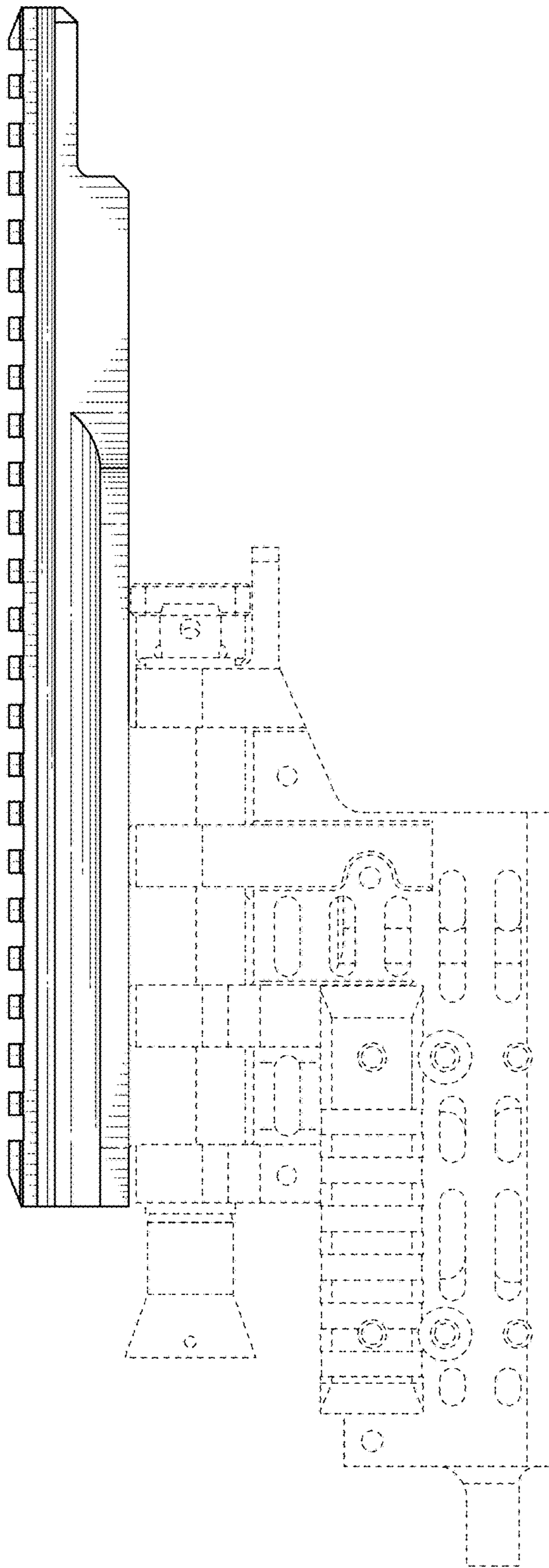


FIG. 6

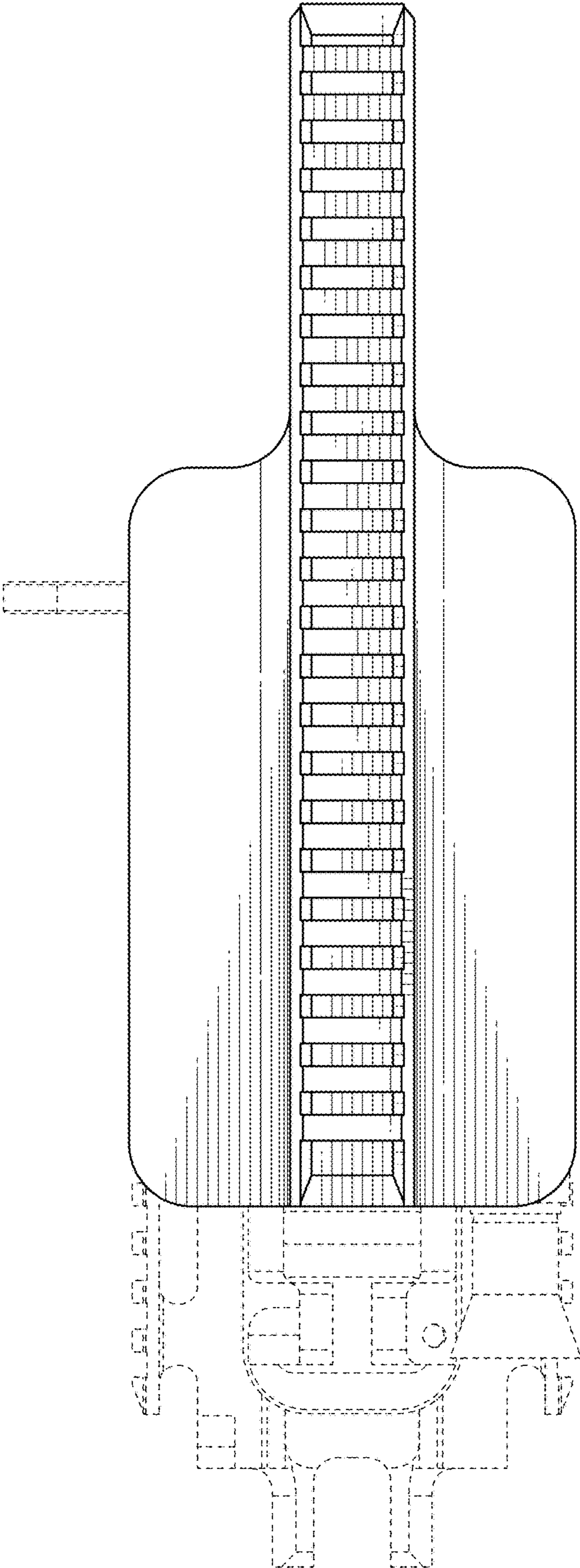


FIG. 7

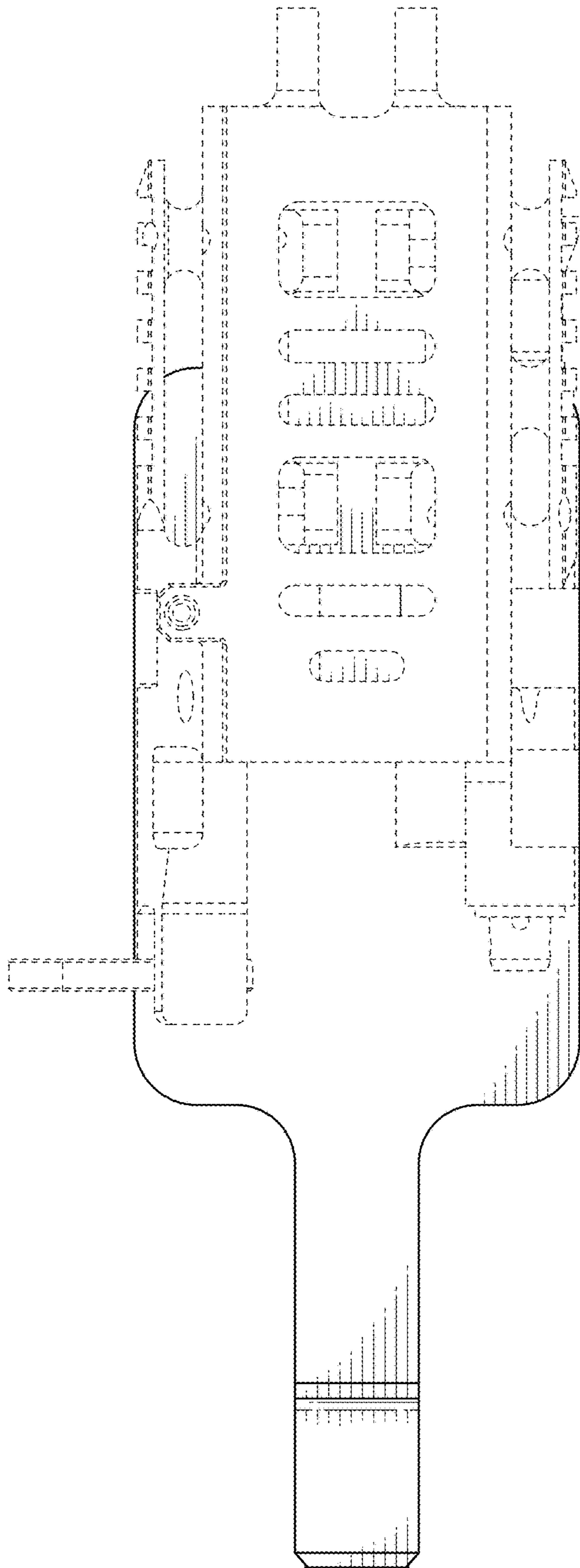


FIG. 8