



US00D825020S

(12) **United States Design Patent** (10) **Patent No.:** **US D825,020 S**
Smith et al. (45) **Date of Patent:** **** Aug. 7, 2018**

(54) **CHARGING HANDLE**

(71) Applicant: **Vista Outdoor Operations LLC**,
Farmington, UT (US)
(72) Inventors: **Paul N. Smith**, Bozeman, MT (US);
Aden P. Wright, Chico, CA (US);
Bryan P. Peterson, Isanti, MN (US);
Christopher D. Laack, Kansas City,
MO (US); **Robert J. Meinert**, Andover,
MN (US)

(73) Assignee: **Vista Outdoor Operations LLC**,
Farmington, UT (US)

(**) Term: **15 Years**

(21) Appl. No.: **29/577,348**

(22) Filed: **Sep. 12, 2016**

(51) **LOC (11) Cl.** **22-01**

(52) **U.S. Cl.**
USPC **D22/108**

(58) **Field of Classification Search**
USPC D22/103, 108
CPC F41C 23/00; F41C 27/00; F41C 27/06;
F41C 23/10; F41C 23/14; F41C 23/16;
F41C 23/18; F41A 5/18; F41A 5/24;
F41A 21/28

See application file for complete search history.

(56) **References Cited**

U.S. PATENT DOCUMENTS

3,225,653	A	12/1965	Packard
5,758,524	A	6/1998	Yu
6,311,603	B1	11/2001	Dunlap
7,231,861	B1	6/2007	Gauny et al.
7,240,600	B1	7/2007	Bordson
7,588,023	B2	9/2009	Kung et al.
D614,718	S	4/2010	Hoel

7,707,921	B1	5/2010	Hoel	
7,798,045	B1	9/2010	Fitzpatrick et al.	
7,832,322	B1	11/2010	Hoel	
7,861,635	B1	1/2011	Hoel	
7,900,546	B2	3/2011	Bordson	
8,104,393	B2	1/2012	Kincel	
8,261,649	B2	9/2012	Fitzpatrick et al.	
8,336,436	B2	12/2012	Kincel	
8,356,537	B2	1/2013	Kincel	
8,381,628	B1	2/2013	Wheatley	
8,567,301	B1	10/2013	Sharron	
D694,354	S *	11/2013	Underwood D22/108
D701,280	S *	3/2014	Siddle D22/108
D705,383	S	5/2014	Montes	
D705,384	S	5/2014	Underwood	
8,756,847	B2	6/2014	Huther	
8,800,422	B2	8/2014	Norton et al.	
D712,501	S	9/2014	Weltsch	
8,820,210	B2	9/2014	Melville	
8,863,632	B1	10/2014	O'Malley	
8,887,612	B2	11/2014	Bayly	
8,950,097	B2	2/2015	Sugg et al.	

(Continued)

Primary Examiner — Michael A. Pratt

(74) *Attorney, Agent, or Firm* — Christensen, Fonder,
Dardi & Herbert PLLC

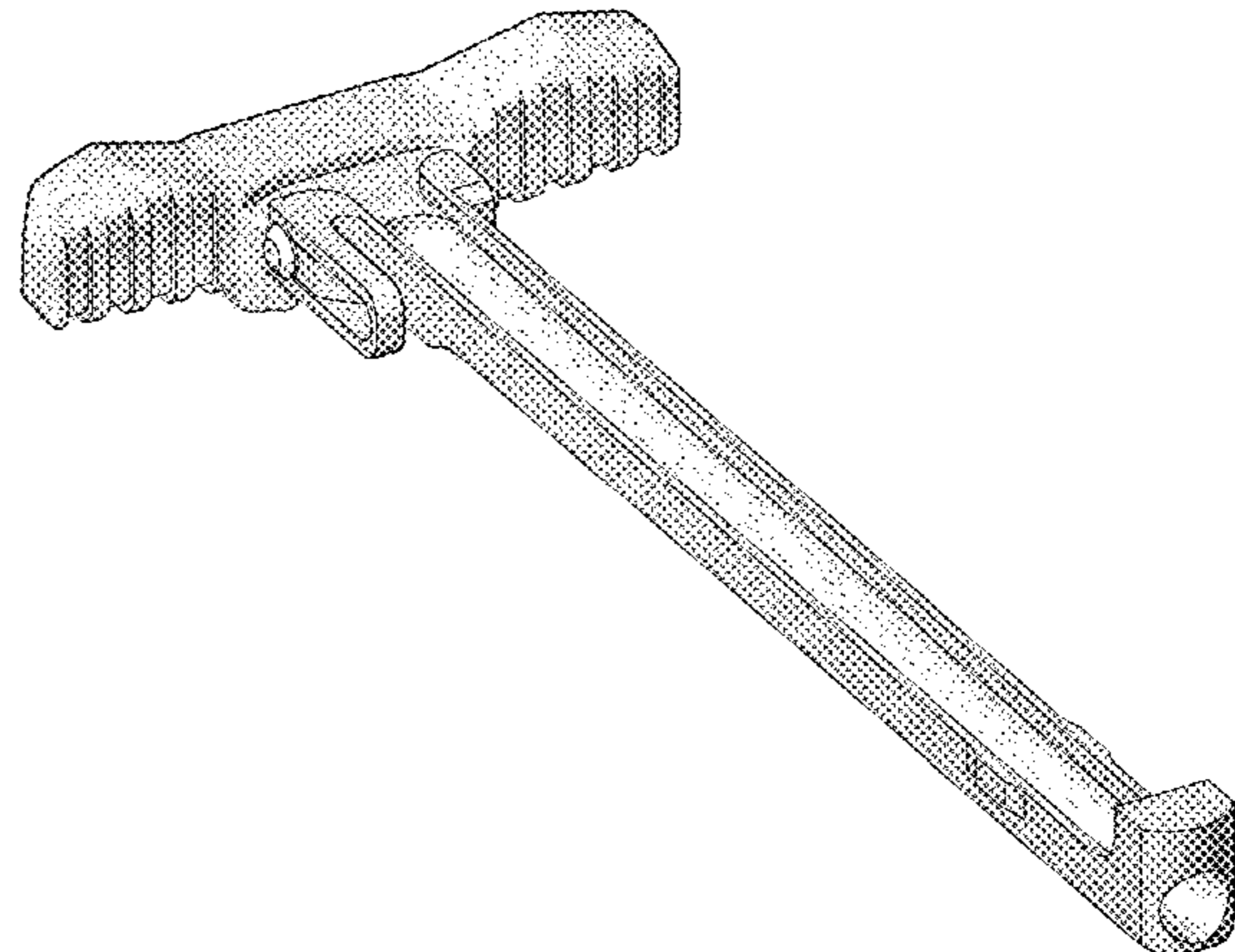
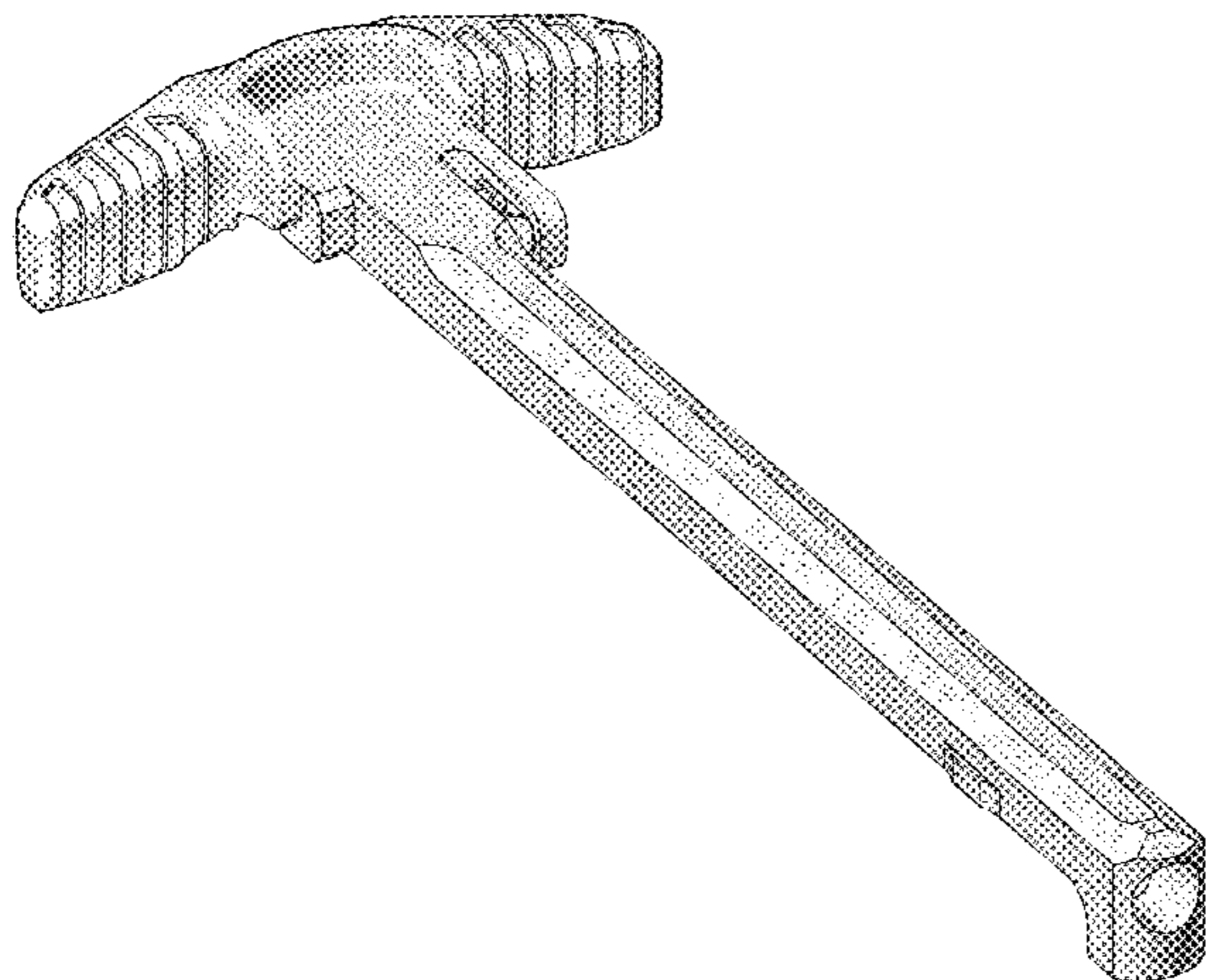
(57) **CLAIM**

We claim the ornamental design for a charging handle, as shown and described.

DESCRIPTION

FIG. 1 is a perspective view of a charging handle showing our new design;
FIG. 2 is an additional perspective view thereof;
FIG. 3 is a right side view thereof;
FIG. 4 is a left side view thereof;
FIG. 5 is a top view thereof;
FIG. 6 is a bottom view thereof;
FIG. 7 is a rear view thereof; and,
FIG. 8 is a front view thereof.

1 Claim, 8 Drawing Sheets



(56)

References Cited

U.S. PATENT DOCUMENTS

8,960,066 B2	2/2015	Gomez	2012/0006188 A1	1/2012	Kincel
D724,689 S	3/2015	Sui	2012/0042769 A1	2/2012	Makayama et al.
D726,860 S	4/2015	Underwood	2012/0291612 A1	11/2012	Kincel
D738,452 S	9/2015	Underwood	2012/0318124 A1	12/2012	Brown
9,175,913 B2	11/2015	Cupps et al.	2013/0061737 A1	3/2013	Brown
9,222,738 B2	12/2015	Asher et al.	2013/0092014 A1	4/2013	Kincel
D749,687 S *	2/2016	Warensford D22/108	2013/0174457 A1	7/2013	Gangl et al.
9,366,489 B1	6/2016	Strom	2013/0192113 A1	8/2013	Melville
9,377,258 B2	6/2016	Gomez	2013/0228065 A1	9/2013	Fitzpatrick et al.
D761,374 S	7/2016	Ellsworth	2014/0020549 A1	1/2014	Bayly
9,423,195 B2	8/2016	Daley, Jr. et al.	2014/0060293 A1	3/2014	Gomez
9,435,593 B2	9/2016	McGinty	2014/0060294 A1	3/2014	Brown
D772,369 S	11/2016	Geissele	2014/0068988 A1	3/2014	Donahue et al.
D776,223 S	1/2017	Swift et al.	2014/0150639 A1	6/2014	Sugg et al.
D781,986 S	3/2017	Green et al.	2014/0224103 A1	8/2014	Brown
D781,988 S	3/2017	Geissele	2014/0318356 A1	10/2014	Cupps et al.
9,587,896 B1	3/2017	Huang	2014/0345444 A1	11/2014	Hillman
D787,624 S	5/2017	Novak et al.	2015/0053072 A1	2/2015	Bunker
D787,625 S	5/2017	Parker et al.	2015/0192376 A1	7/2015	Dickinson
D788,251 S	5/2017	Sylvester et al.	2015/0233657 A1	8/2015	Barker et al.
D794,741 S	8/2017	Geissele	2015/0253105 A1	9/2015	Brubaker et al.
9,726,445 B2	8/2017	Gomez	2015/0260481 A1	9/2015	Sugg et al.
D796,620 S	9/2017	Geissele	2015/0308760 A1	10/2015	Gomez
D798,409 S *	9/2017	Kincel D22/108	2015/0308761 A1	10/2015	McGinty
9,810,494 B1 *	11/2017	Huang F41A 3/72	2015/0308762 A1	10/2015	McGinty
D805,598 S *	12/2017	Geissele D22/108	2016/0018181 A1	1/2016	Swadener et al.
9,909,826 B2 *	3/2018	Kincel F41A 3/72	2016/0061542 A1	3/2016	Daley, Jr. et al.
2005/0188827 A1	9/2005	McNulty, Jr.	2016/0076834 A1	3/2016	McGinty
2009/0241396 A1	10/2009	McManus	2016/0102930 A1	4/2016	Miller
2010/0000396 A1	1/2010	Brown	2016/0153731 A1	6/2016	Sugg
2011/0005117 A1	1/2011	Bordson	2016/0178298 A1	6/2016	Daniel et al.
2011/0174139 A1	7/2011	Olsen et al.	2016/0258698 A1	9/2016	Seuk
2011/0214558 A1	9/2011	Kincel	2016/0298917 A1	10/2016	Hwang
2011/0226120 A1	9/2011	Fitzpatrick et al.	2016/0320151 A1	11/2016	Kincel
2011/0265636 A1	11/2011	Overstreet et al.	2016/0348989 A1	12/2016	Strom
			2016/0356564 A1	12/2016	Curry
			2017/0023321 A1	1/2017	Kincel
			2017/0038170 A1	2/2017	Gomez

* cited by examiner

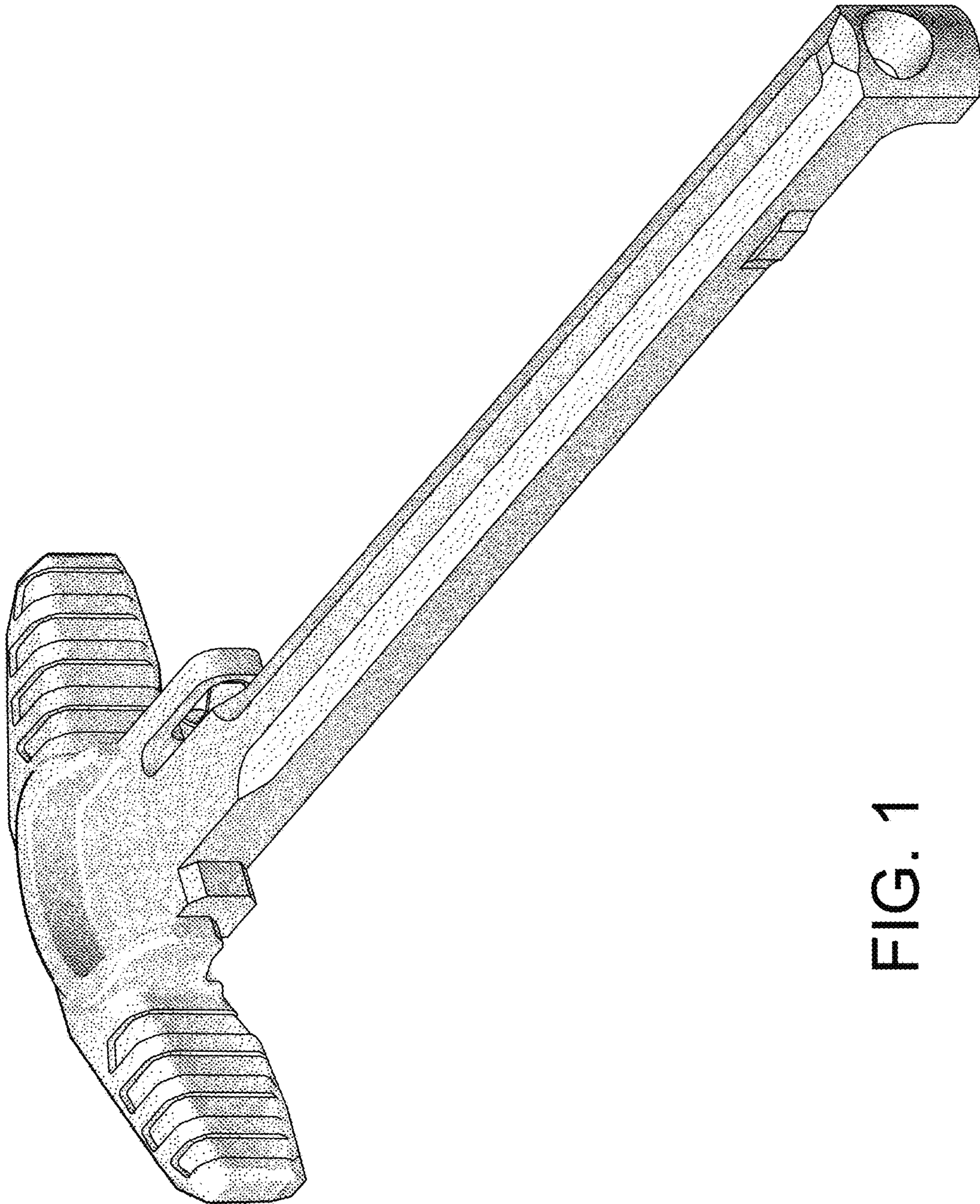


FIG. 1

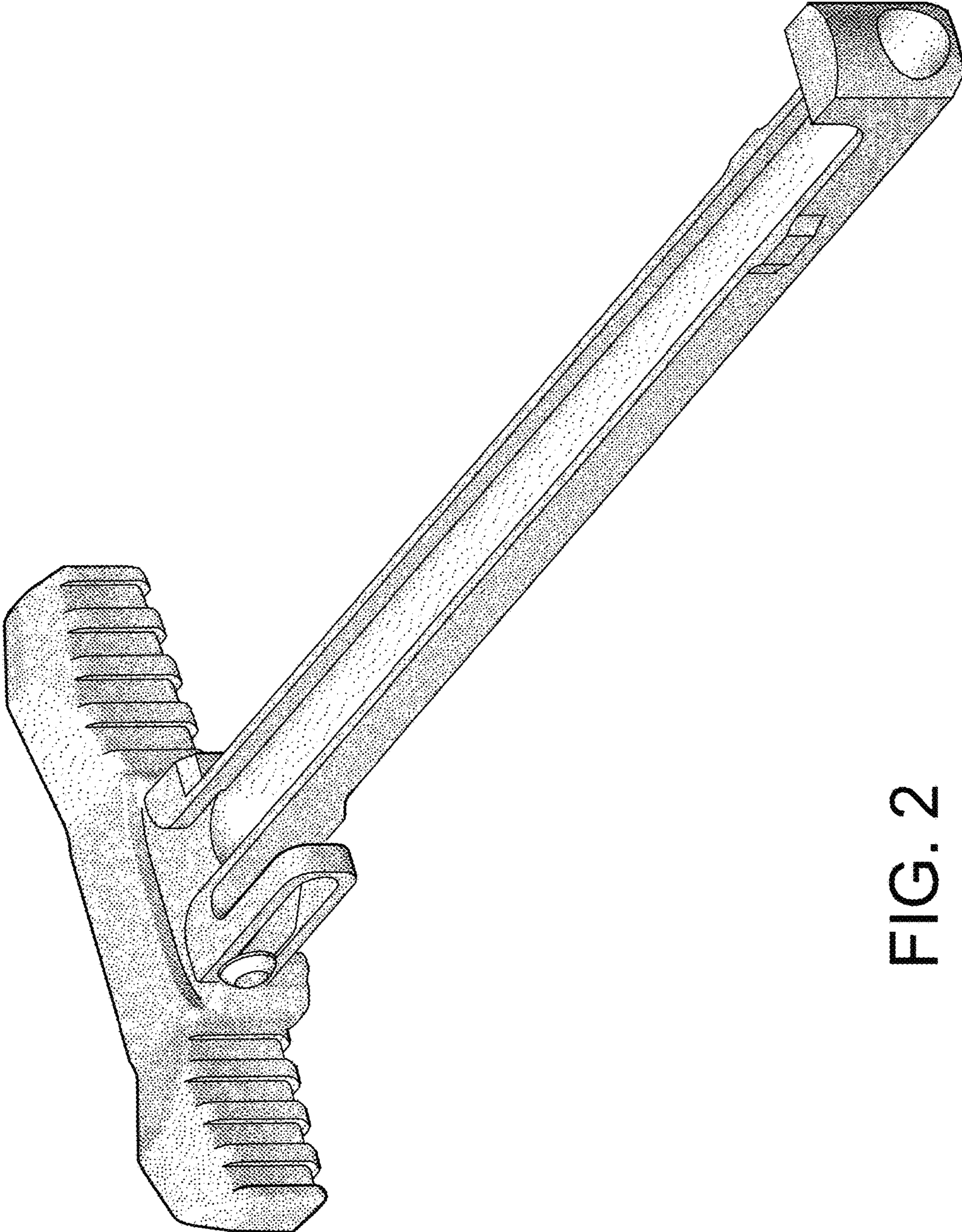


FIG. 2

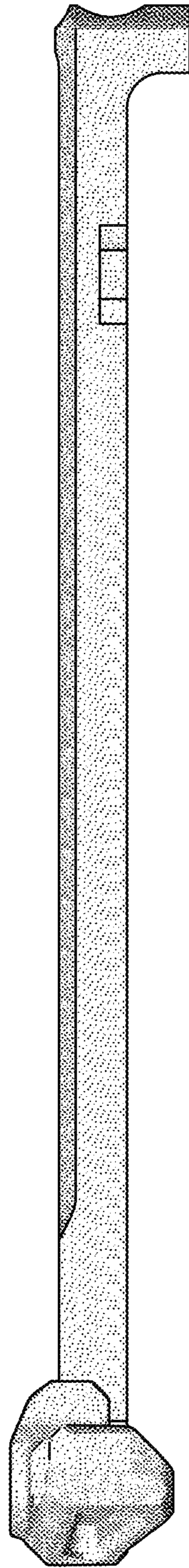


FIG. 3

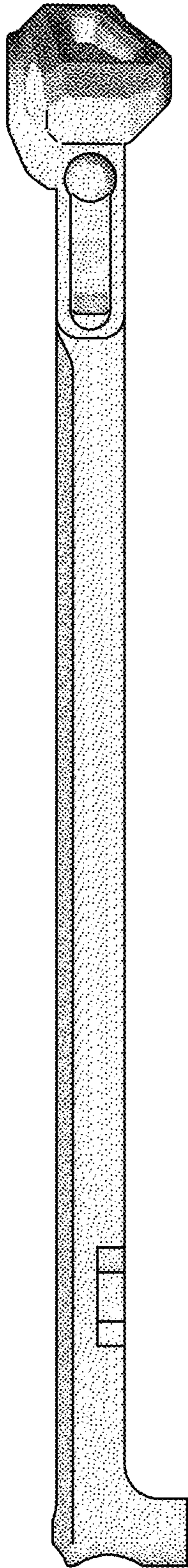


FIG. 4

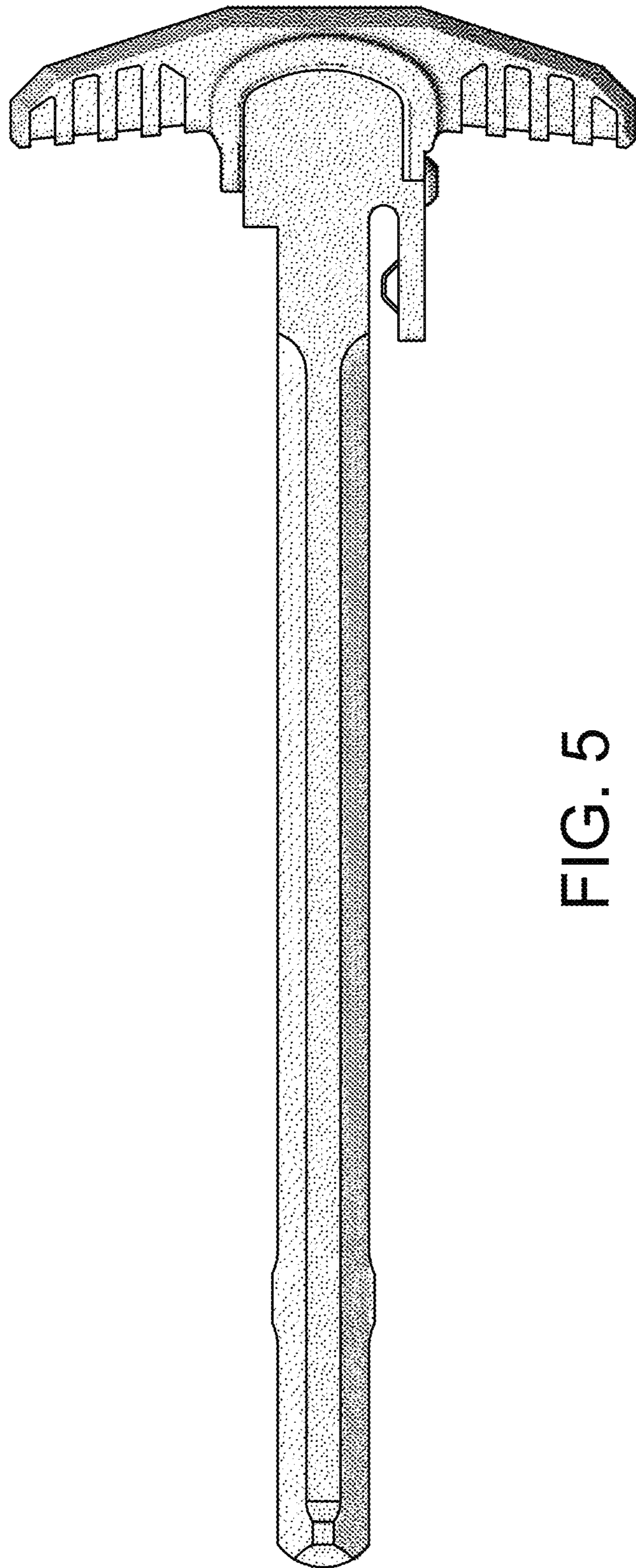


FIG. 5

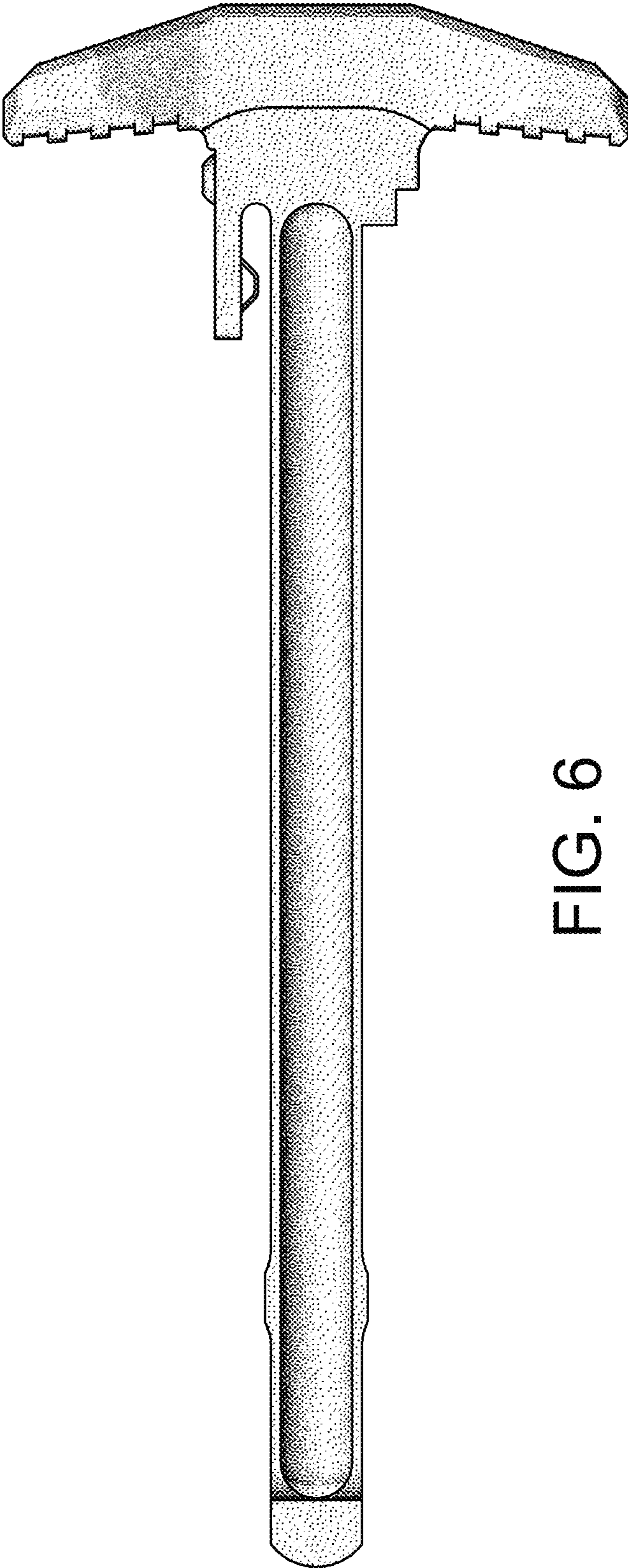


FIG. 6

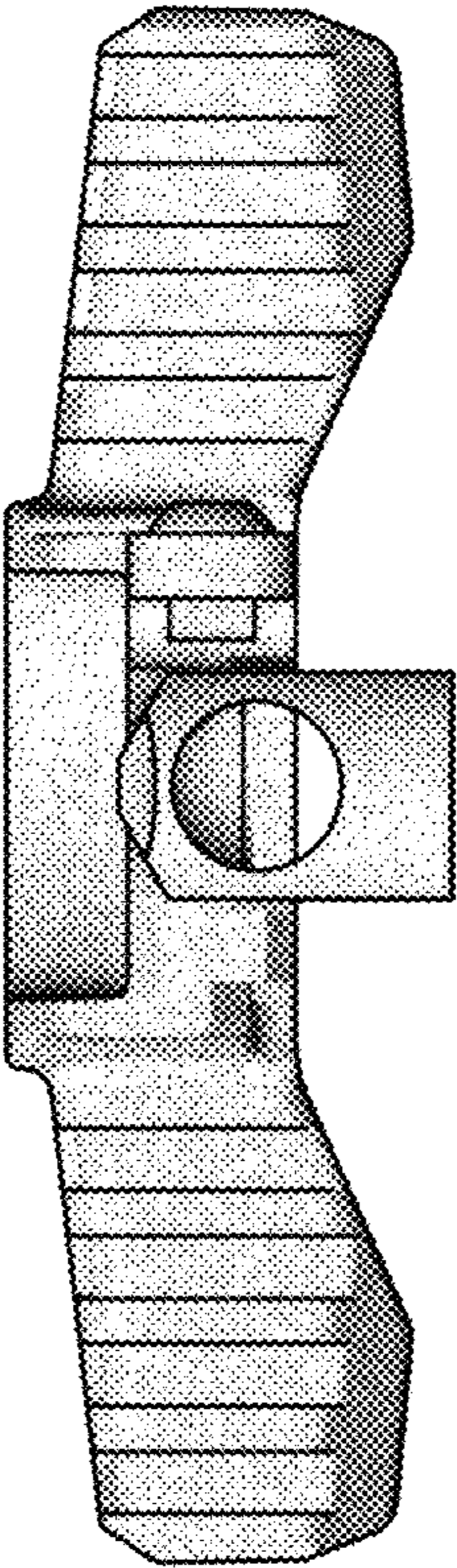


FIG. 7

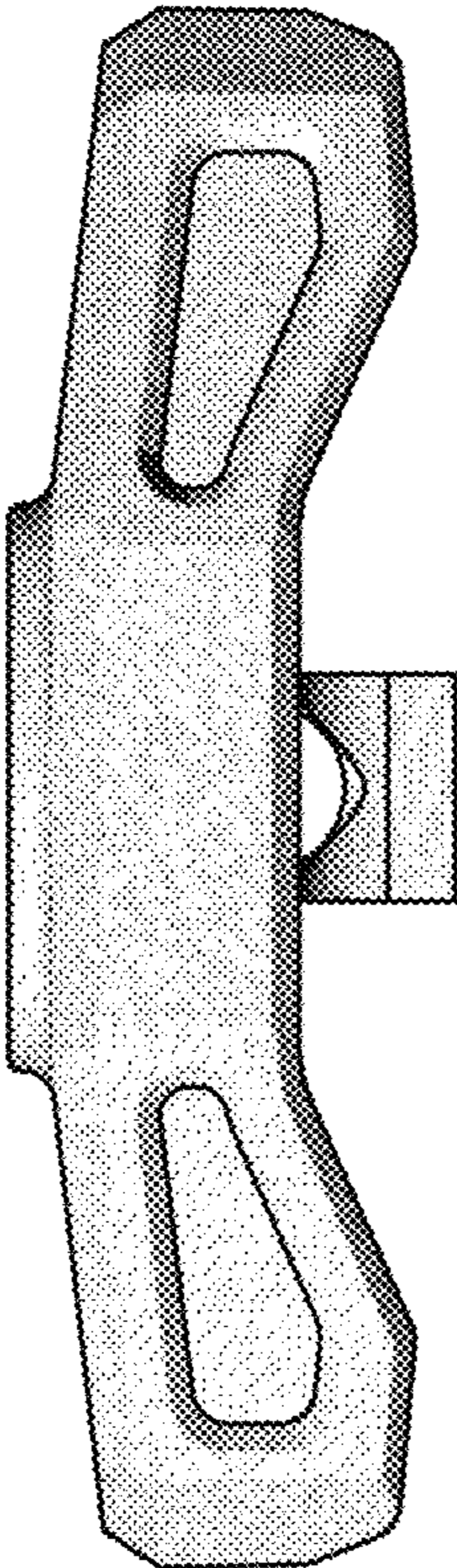


FIG. 8