

US00D825019S

(12) **United States Design Patent**
Tsunesada

(10) **Patent No.:** **US D825,019 S**

(45) **Date of Patent:** **** Aug. 7, 2018**

(54) **RIFLE**
(71) Applicant: **Masashi Tsunesada**, Okayama (JP)
(72) Inventor: **Masashi Tsunesada**, Okayama (JP)
(**) Term: **15 Years**
(21) Appl. No.: **35/503,113**

D584,373 S * 1/2009 Young F41C 23/16
D22/103
D610,218 S * 2/2010 Barrett D22/103
D662,167 S * 6/2012 Juarez D22/103
D692,084 S * 10/2013 Eberle D22/103
D785,122 S * 4/2017 Mather D22/104
2012/0159828 A1* 6/2012 Jarboe F41A 3/18
42/16
2012/0304520 A1* 12/2012 Battaglia F41A 3/64
42/75.03

(22) Filed: **Dec. 7, 2016**

* cited by examiner

(80) **Hague Agreement Data**

Primary Examiner — Michael Aaron Pratt

Int. Filing Date: **Dec. 7, 2016**
Int. Reg. No.: **DM/094716**
Int. Reg. Date: **Dec. 7, 2016**
Int. Reg. Pub. Date: **Jun. 9, 2017**

(57) **CLAIM**

The ornamental design for a rifle, as shown and described.

(51) **LOC (11) Cl.** **22-01**

(52) **U.S. Cl.**
USPC **D22/103**

(58) **Field of Classification Search**
USPC D22/103, 108; D21/572, 575
CPC F41C 23/00; F41C 27/00; F41C 27/06;
F41C 23/10; F41C 23/14; F41C 23/16;
F41C 23/18; F41A 21/28; F41A 5/18;
F41A 5/24

DESCRIPTION

The patent or application file contains at least one drawing executed in color. Copies of this patent or patent application publication with color drawing(s) will be provided by the Office upon request and payment of the necessary fee.

See application file for complete search history.

- 1. Rifle
- 1.1 : Left
- 1.2 : Right
- 1.3 : Front
- 1.4 : Back
- 1.5 : Top
- 1.6 : Bottom
- 1.7 : Enlarged
- 1.8 : Reference view of state in use

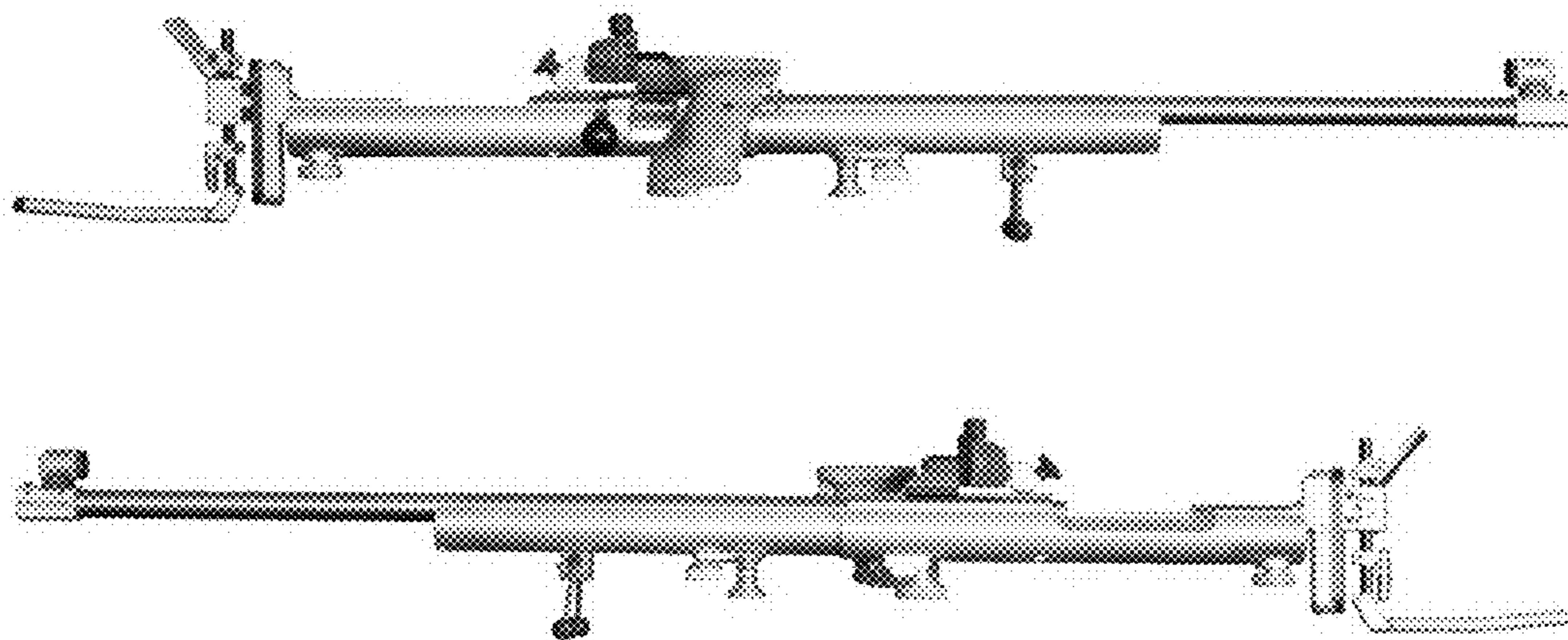
(56) **References Cited**

U.S. PATENT DOCUMENTS

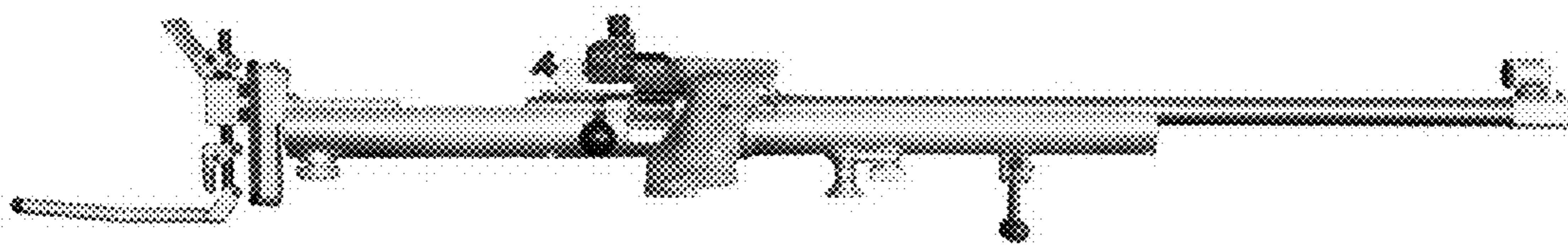
D299,943 S * 2/1989 Zelzer D22/103
D303,417 S * 9/1989 LaViolette D22/100
D304,062 S * 10/1989 Barrett D22/103
4,932,148 A * 6/1990 Barrett F41A 19/10
42/18
D403,042 S * 12/1998 Kozlovitzev D22/102
6,487,805 B1 * 12/2002 Reynolds F41A 21/485
42/75.03

The present product is a rifle provided with a grip on a side thereof; the grip is positioned diagonally to the front and side of the cartridge chamber; the grip being provided with a trigger; red colored portions in the reproduction No. 1.8 form no part of the claimed design.

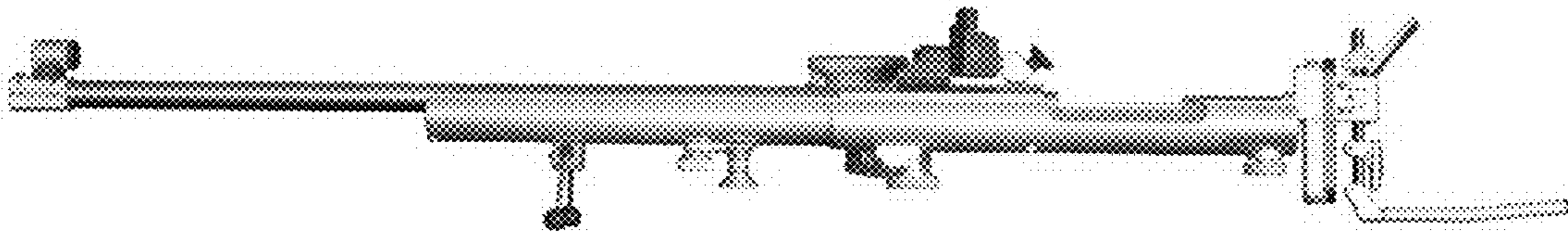
1 Claim, 8 Drawing Sheets
(8 of 8 Drawing Sheet(s) Filed in Color)



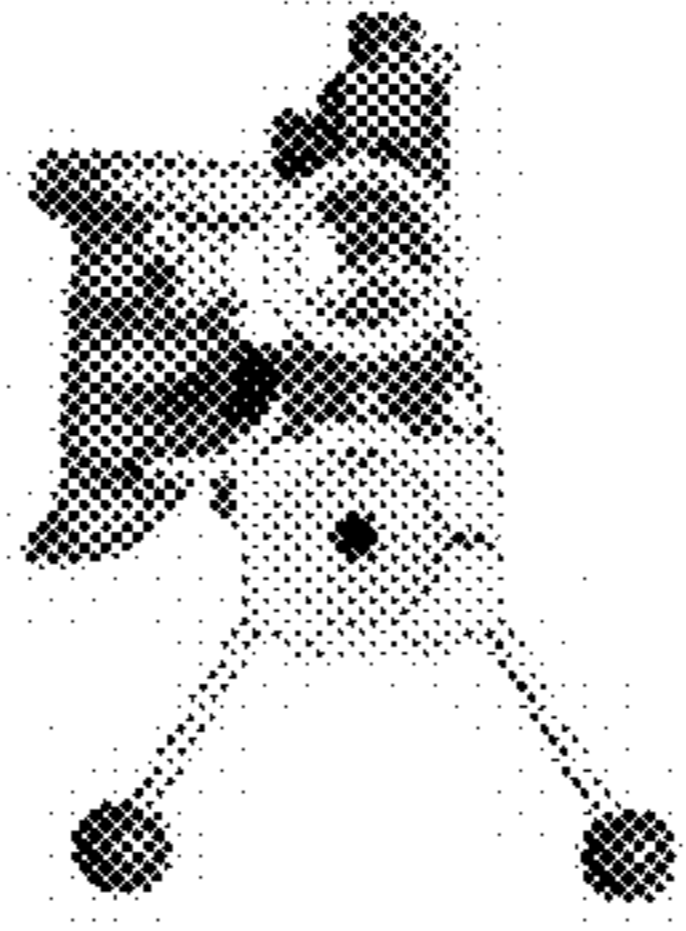
1.1



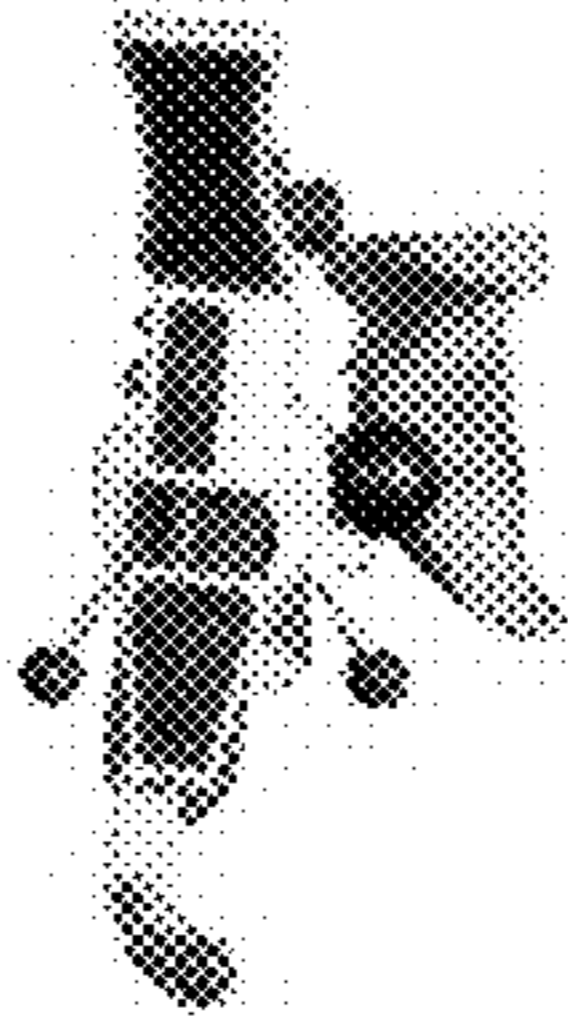
1.2



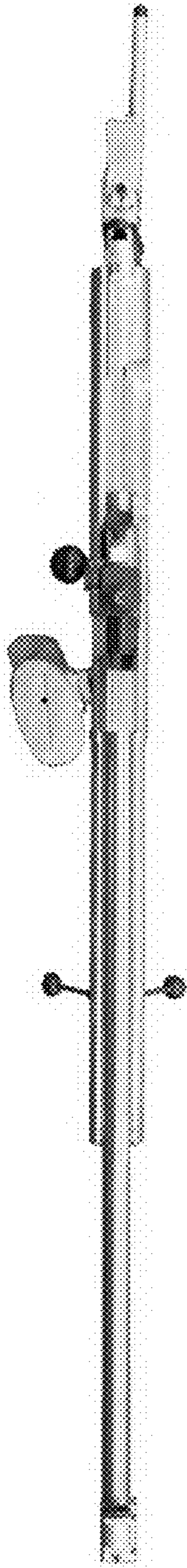
1.3



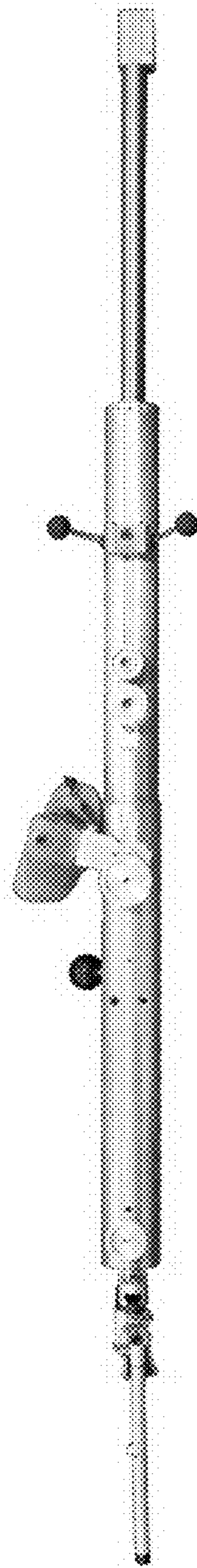
1.4



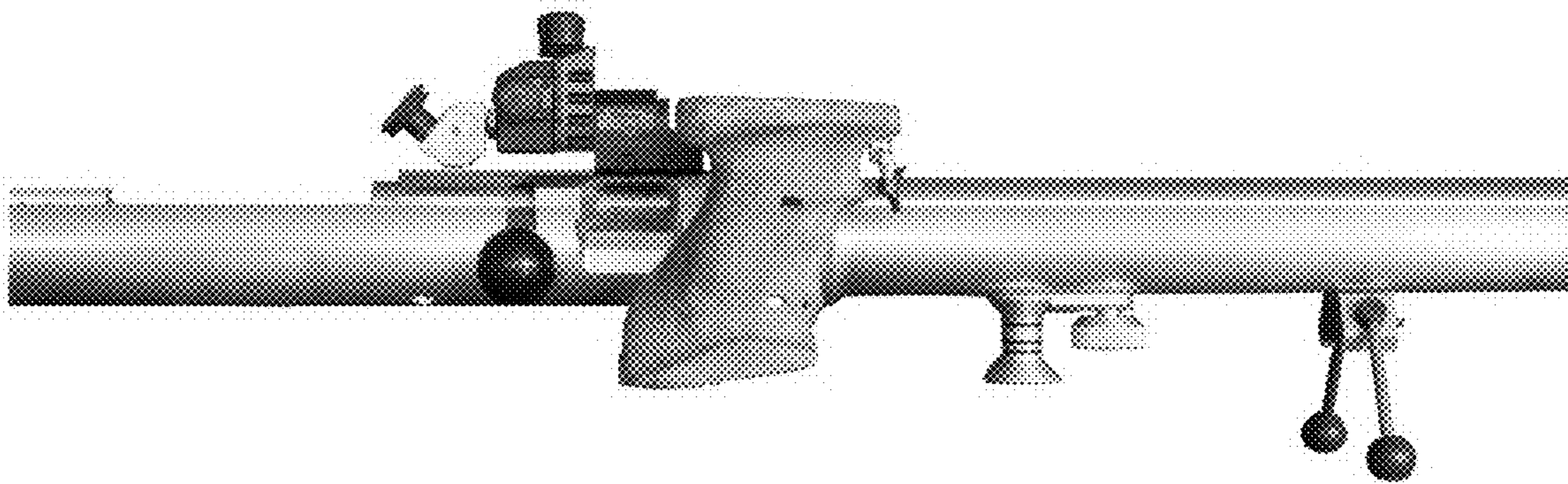
1.5



1.6



1.7



1.8

