



US00D825017S

(12) **United States Design Patent**  
**Biancofiore**

(10) **Patent No.:** **US D825,017 S**

(45) **Date of Patent:** **\*\* Aug. 7, 2018**

- (54) **SEAT BACK**
- (71) Applicant: **Rachel Biancofiore**, Chattanooga, TN (US)
- (72) Inventor: **Rachel Biancofiore**, Chattanooga, TN (US)
- (73) Assignee: **Creative Cedar Designs, Inc.**, Chattanooga, TN (US)
- (\*\*) Term: **15 Years**
- (21) Appl. No.: **29/607,983**
- (22) Filed: **Jun. 19, 2017**
- (51) **LOC (11) Cl.** ..... **21-03**
- (52) **U.S. Cl.**  
USPC ..... **D21/825**
- (58) **Field of Classification Search**  
USPC ..... D21/811, 814, 823-825, 831, 832  
CPC ..... A63G 9/00-9/22; A63G 15/00; A47D 13/105  
See application file for complete search history.

- D100,589 S \* 7/1936 Tinker ..... D21/825
- D137,811 S \* 5/1944 Miller ..... D21/825
- D138,371 S \* 7/1944 Churchill ..... D21/825
- 2,371,384 A \* 3/1945 Dyer, Jr. .... A47D 13/105  
297/181
- D142,708 S \* 10/1945 Ebding ..... D21/825
- D148,551 S \* 2/1948 MacKay ..... D21/825
- D162,693 S \* 3/1951 St. Lous ..... D21/825
- D165,593 S \* 1/1952 Low ..... D21/825
- D168,439 S \* 12/1952 Dichesare ..... D21/825
- D184,326 S \* 1/1959 Wormser ..... D21/825
- D210,036 S \* 1/1968 Gervais ..... D21/825
- D210,139 S \* 2/1968 Harness ..... D21/825
- D241,561 S \* 9/1976 Tomalinas, Jr. .... D21/825
- D254,022 S \* 1/1980 Knight ..... D21/825
- D254,023 S \* 1/1980 Knight ..... D21/825
- D260,544 S \* 9/1981 Ament ..... D21/825
- D272,170 S \* 1/1984 Noller ..... D21/825

(Continued)

*Primary Examiner* — Mitchell I. Siegel

(74) *Attorney, Agent, or Firm* — Stephen J. Stark; Miller & Martin PLLC

(57) **CLAIM**

The ornamental design for a seat back, as is shown and describe herein.

**DESCRIPTION**

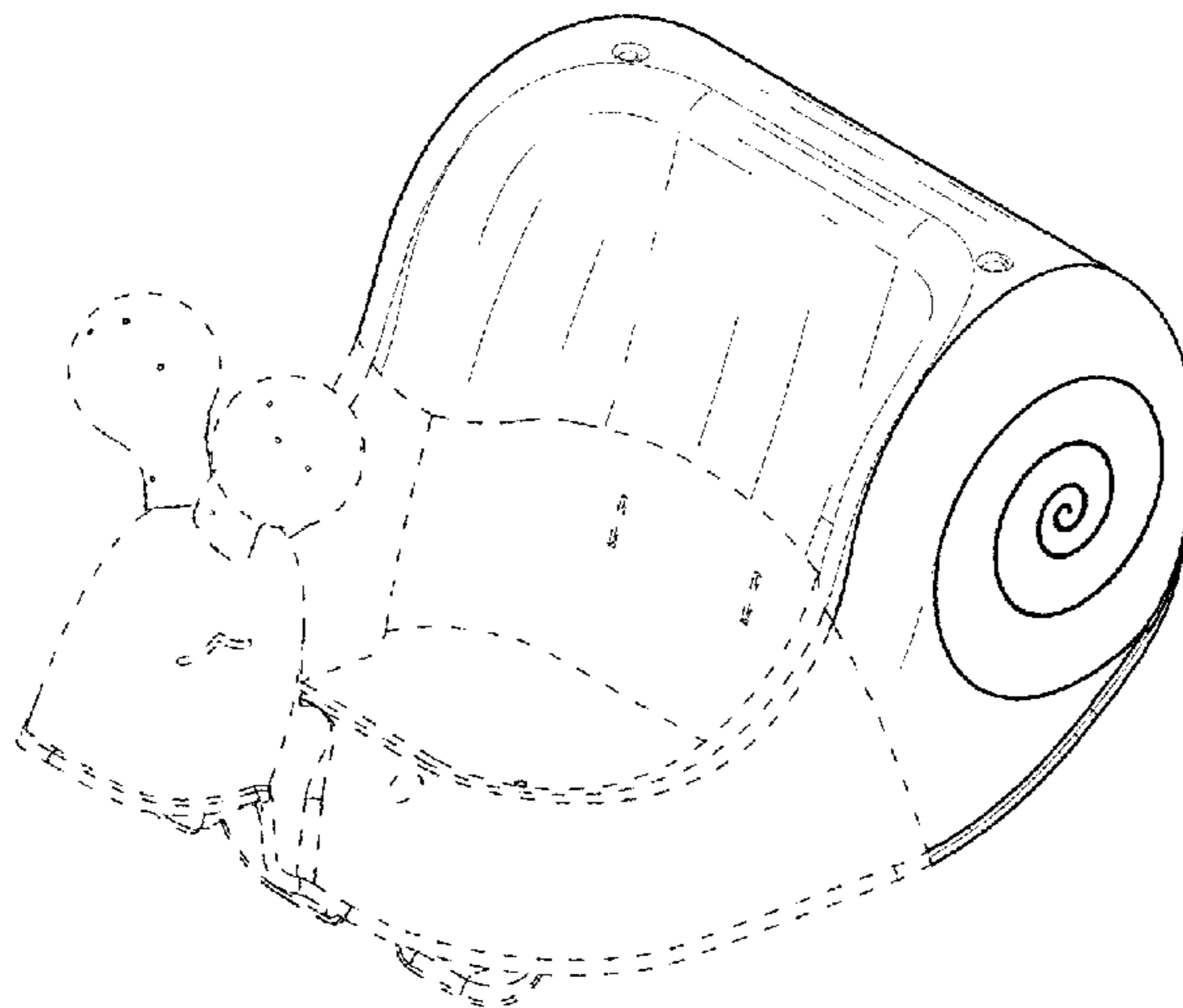
FIG. 1 is a left perspective view of the seat back;  
 FIG. 2 is a right perspective view thereof;  
 FIG. 3 is a top plan view thereof;  
 FIG. 4 is a bottom plan view thereof;  
 FIG. 5 is a right side elevational view thereof, the left side being a mirror image thereof;  
 FIG. 6 is a rear elevational view thereof; and,  
 FIG. 7 is a front elevational view thereof.  
 The broken line portion of the figure drawings is included to show portions of the article that forms no part of the claimed design.

**1 Claim, 5 Drawing Sheets**

(56) **References Cited**

U.S. PATENT DOCUMENTS

- D7,179 S \* 2/1874 De Nottbeck ..... D21/825
- 277,902 A \* 5/1883 Hyde ..... A47C 1/11  
297/181
- 783,921 A \* 2/1905 Abell ..... A47C 1/11  
297/181
- 1,148,395 A \* 7/1915 Moore ..... A63G 13/06  
297/243
- 1,345,333 A \* 6/1920 Jochumsen ..... A47D 13/105  
472/120
- 1,390,502 A \* 9/1921 Clouser ..... A47D 13/105  
297/274
- 1,941,824 A \* 1/1934 Booth ..... A63G 9/00  
297/245
- 2,027,089 A \* 1/1936 Carraway ..... A63G 9/20  
472/120



(56)

**References Cited**

U.S. PATENT DOCUMENTS

D292,016	S	*	9/1987	Osterman	.....	D21/825
D340,105	S	*	10/1993	Houry	.....	D21/825
D342,117	S	*	12/1993	Nolan	.....	D21/825
D360,905	S	*	8/1995	Meeker	.....	D21/415
D374,353	S	*	10/1996	Coleman	.....	D6/333
D387,120	S	*	12/1997	Davignon, II	.....	D21/825
D424,649	S	*	5/2000	Hilliker	.....	D21/825
D435,881	S	*	1/2001	Gardner	.....	D21/820
D436,224	S	*	1/2001	Gardner	.....	D21/820
D661,361	S	*	6/2012	Fens	.....	D21/825
D672,002	S	*	12/2012	Fens	.....	D21/825
D724,167	S	*	3/2015	Barker	.....	D21/823
D776,775	S	*	1/2017	Cong	.....	D21/825
D784,477	S	*	4/2017	Cong	.....	D21/825
D790,022	S	*	6/2017	Cong	.....	D21/825

\* cited by examiner

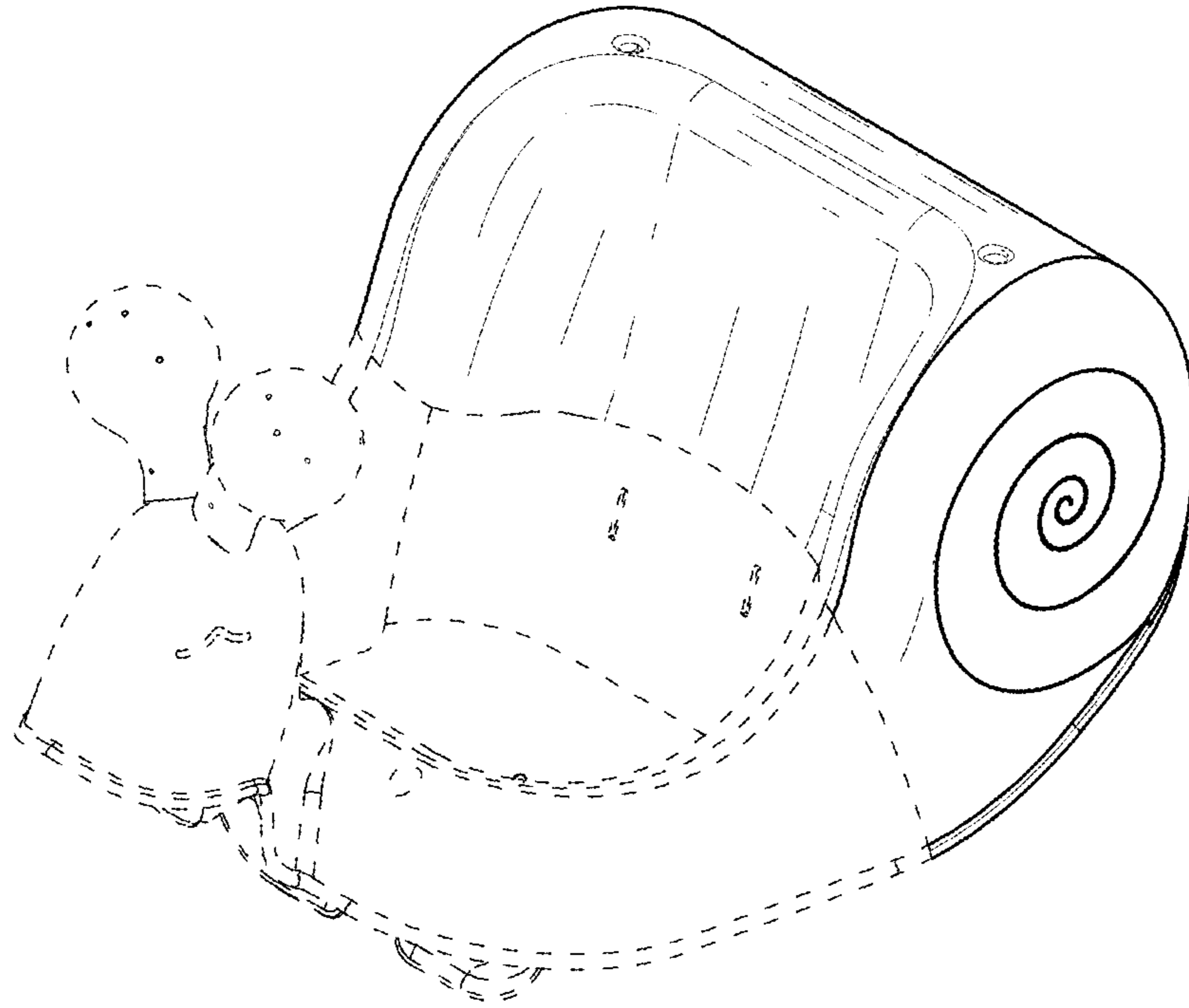


FIG. 1

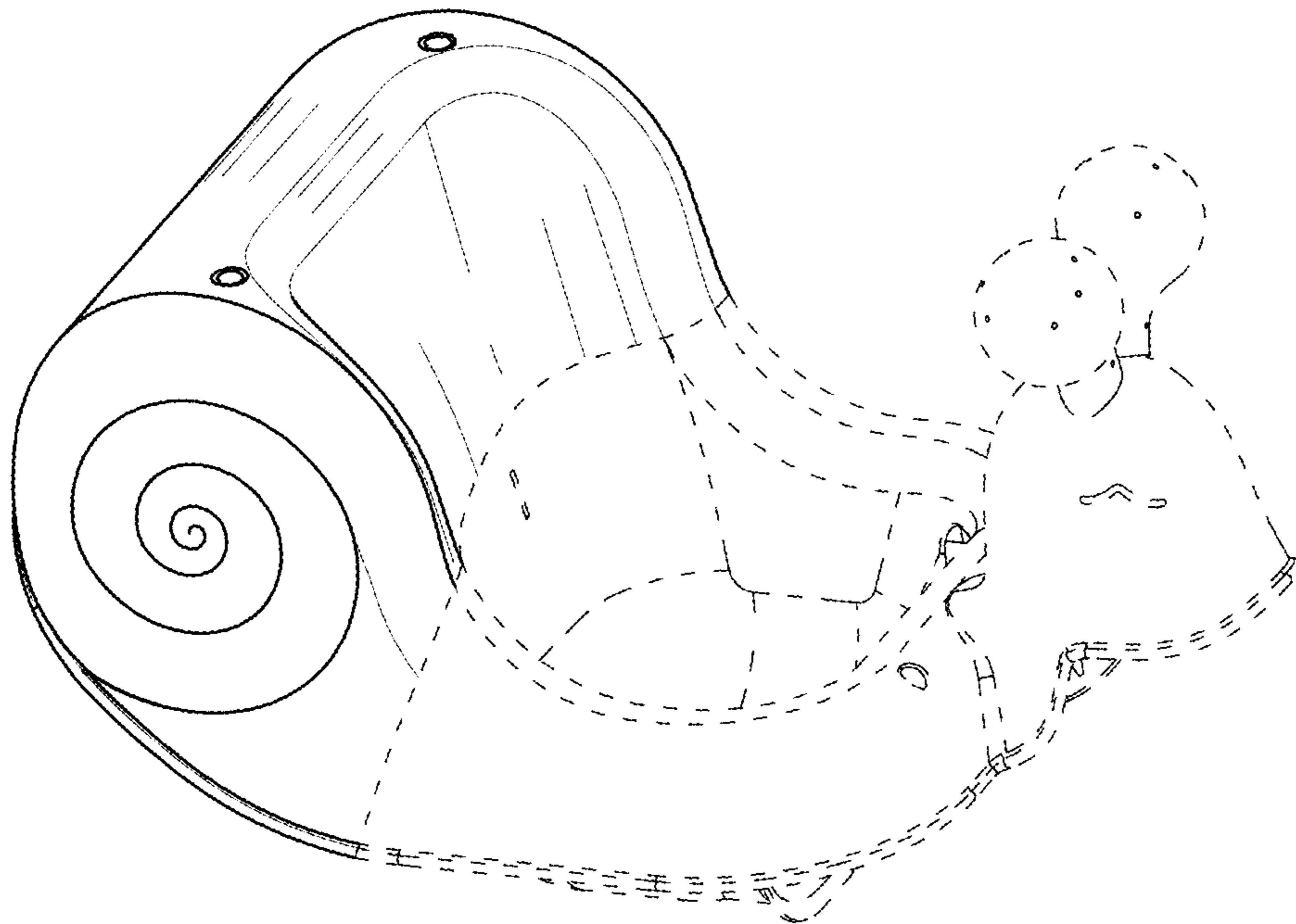


FIG. 2

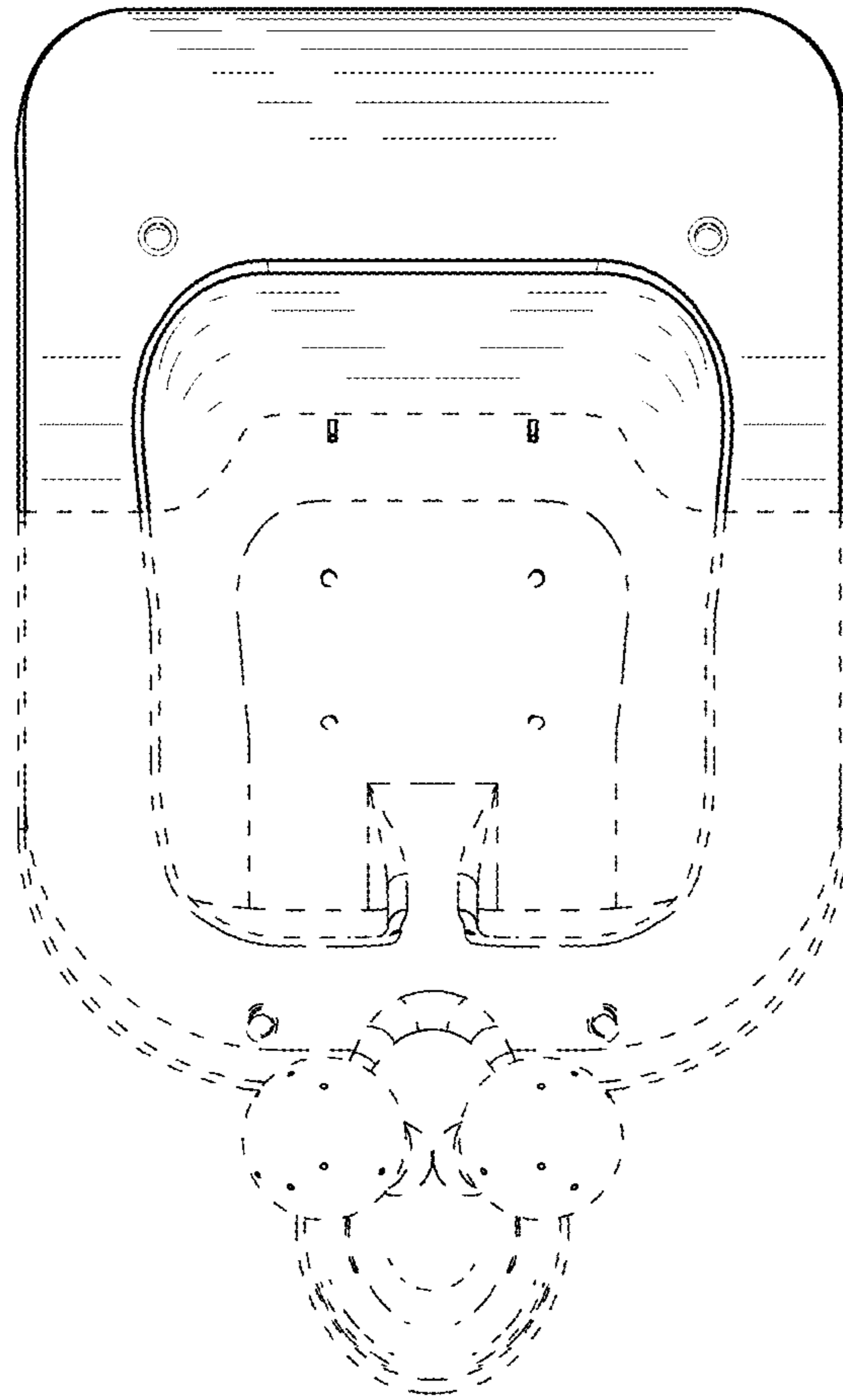


FIG. 3

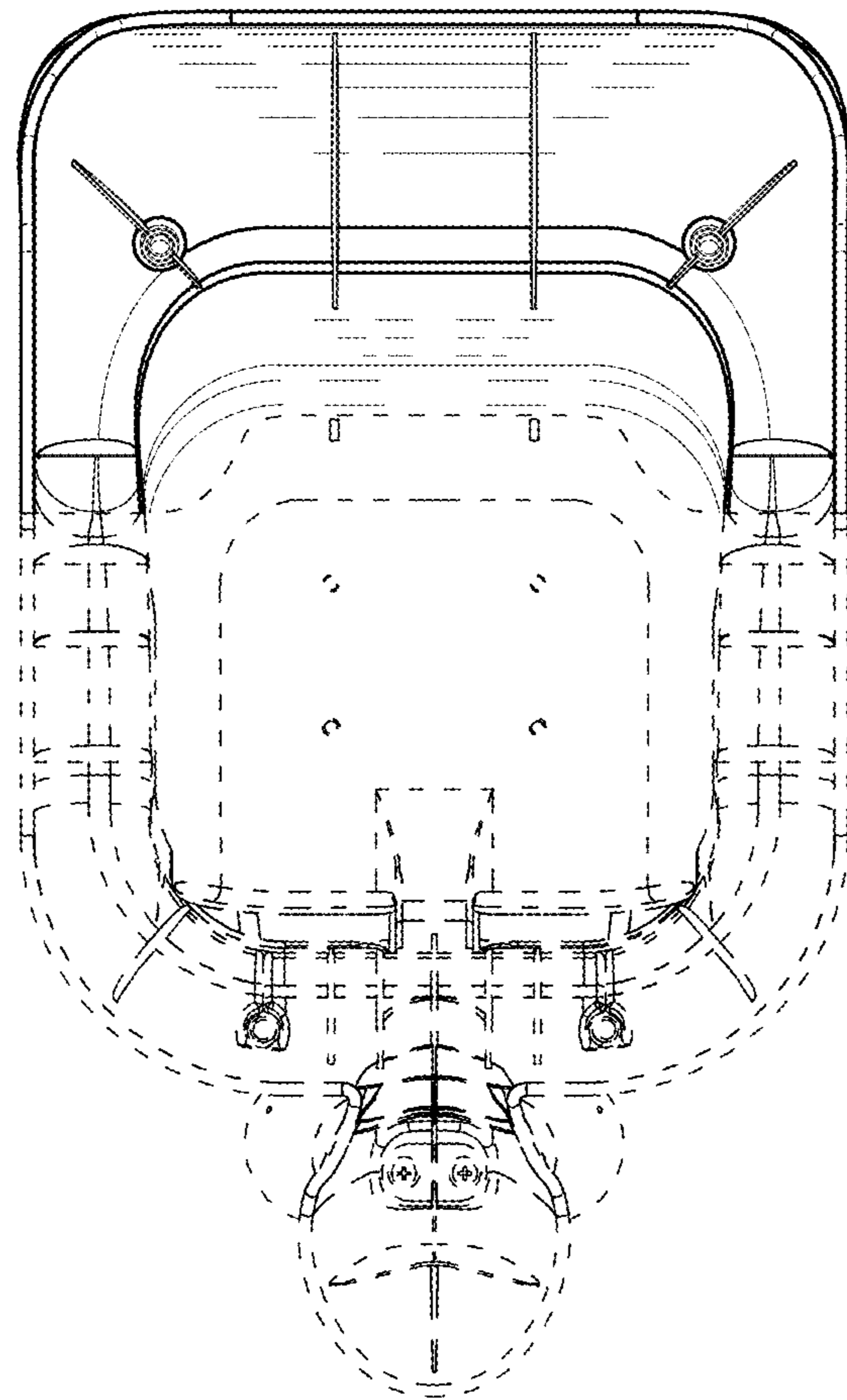


FIG. 4

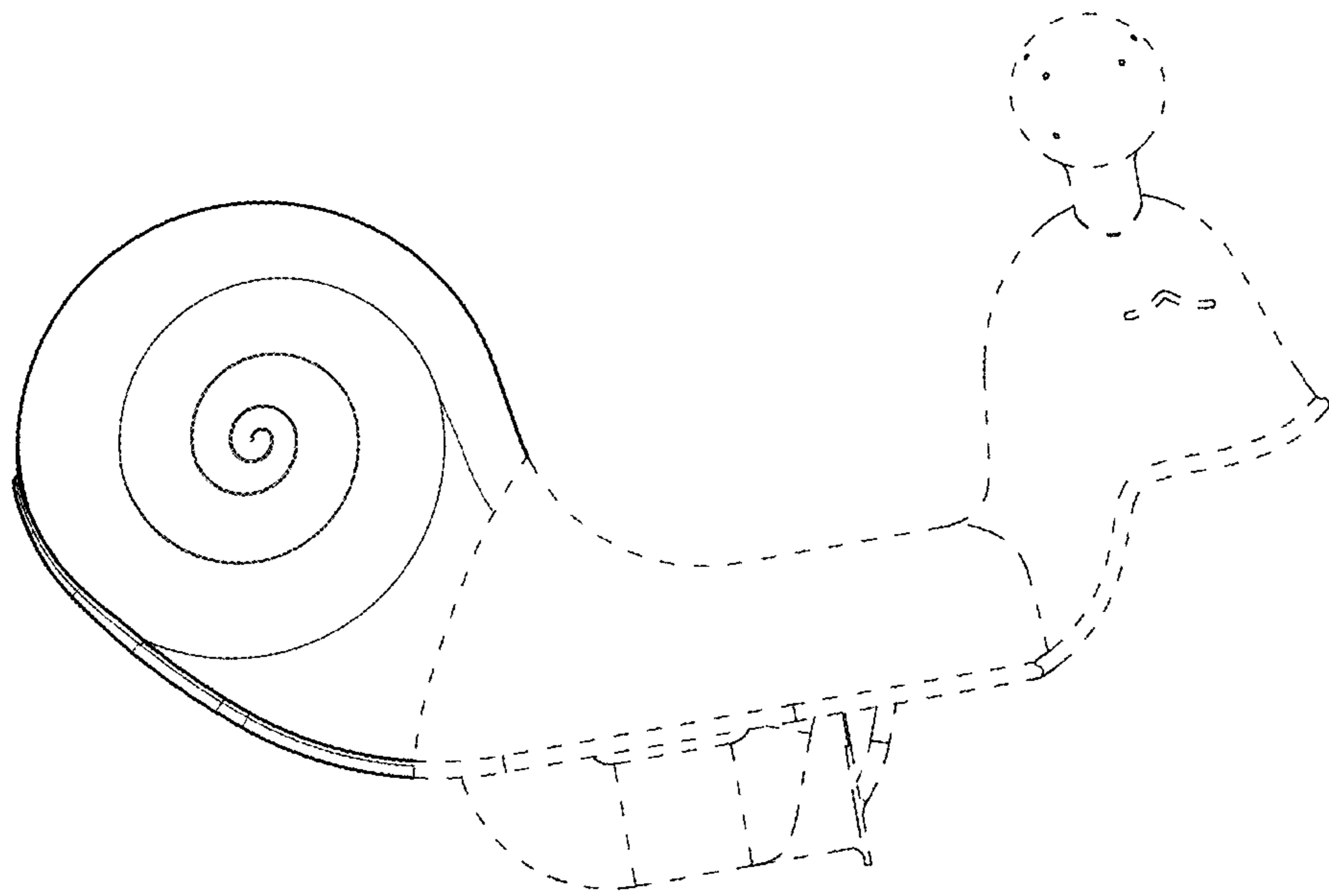


FIG. 5

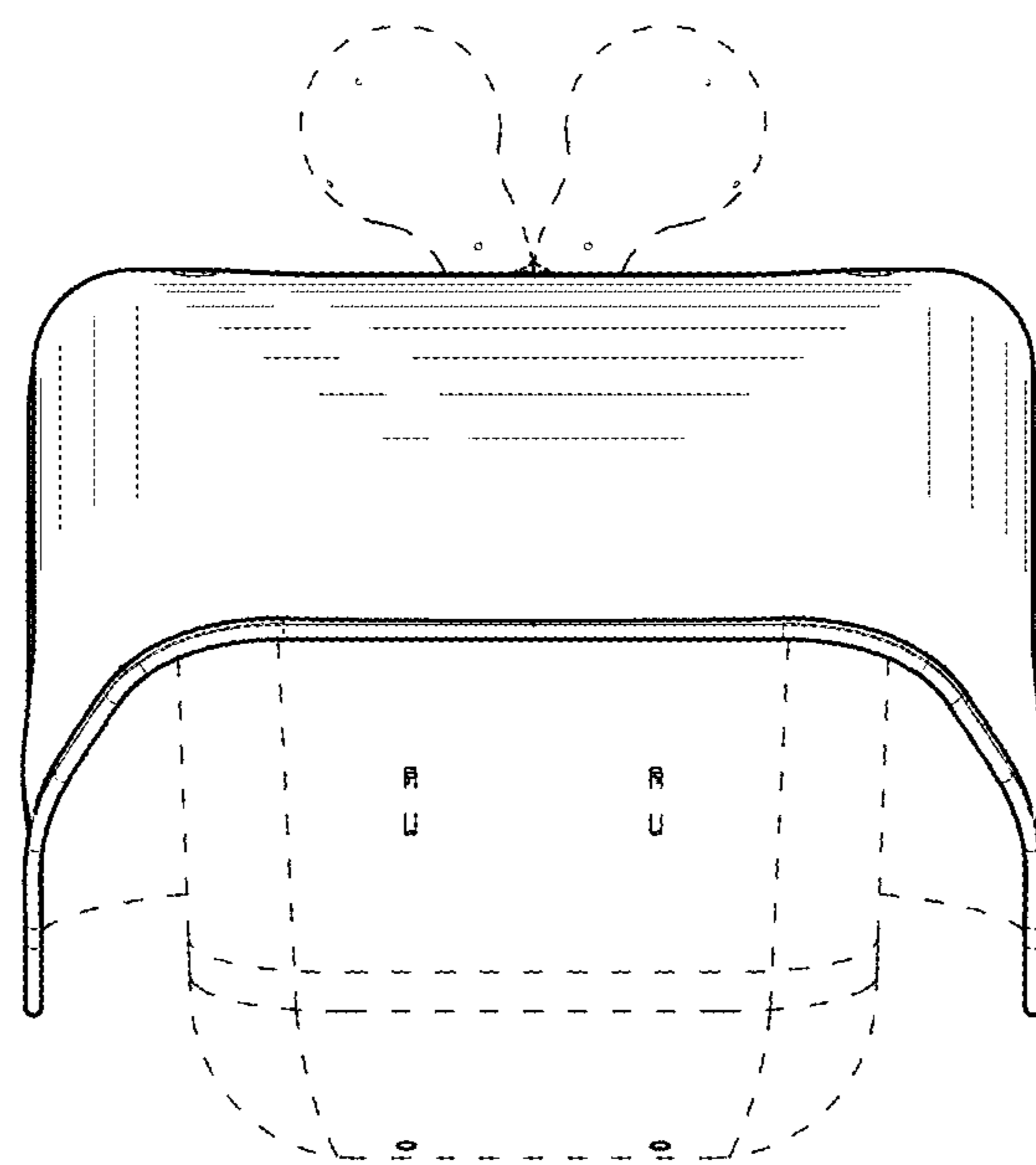


FIG. 6

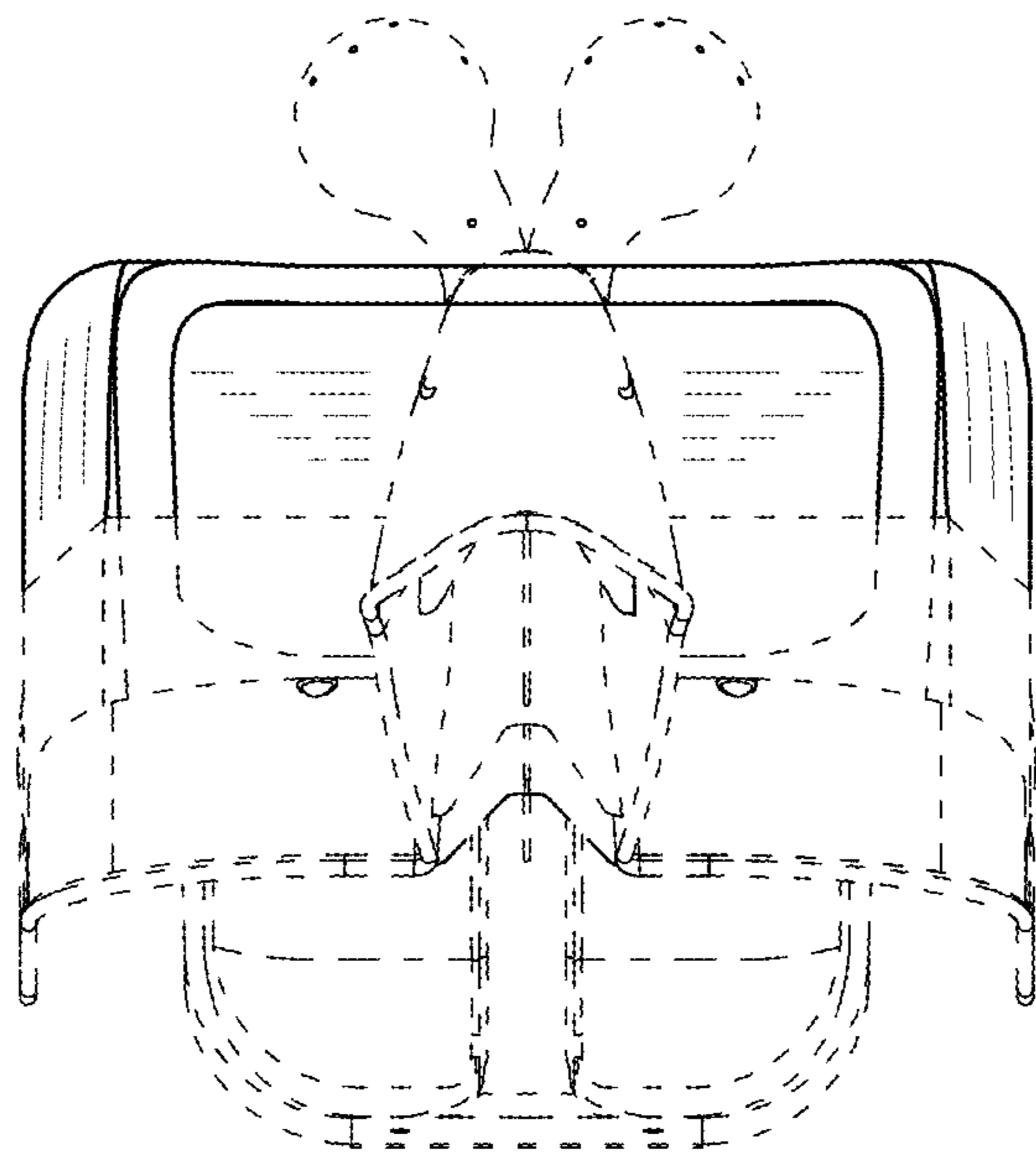


FIG. 7