



US00D825015S

(12) **United States Design Patent** (10) **Patent No.:** **US D825,015 S**
Rademacher et al. (45) **Date of Patent:** **** Aug. 7, 2018**

(54) **RECREATIONAL DEVICE**
(71) Applicant: **Wibit Sports GmbH**, Bocholt (DE)
(72) Inventors: **Romann Rademacher**, Bocholt (DE);
Robert Cirjak, Bocholt (DE)
(73) Assignee: **WIBIT SPORTS GmbH**, Bocholt (DE)
(**) Term: **15 Years**
(21) Appl. No.: **29/589,938**
(22) Filed: **Jan. 5, 2017**

D430,099 S * 8/2000 Sobey D12/317
D587,507 S * 3/2009 Martin D6/604
D596,261 S * 7/2009 Cirjak D21/803
D596,262 S * 7/2009 Cirjak D21/803
D722,354 S * 2/2015 Rademacher D21/803
D731,609 S * 6/2015 Hanscom D21/771
D732,129 S * 6/2015 Hanscom D21/771

(30) **Foreign Application Priority Data**
Jul. 6, 2016 (EM) 003295674-0002
Jul. 6, 2016 (EM) 003295674-0003
(51) **LOC (11) Cl.** **21-02**
(52) **U.S. Cl.**
USPC **D21/803; D21/814**
(58) **Field of Classification Search**
USPC D21/646, 769, 770, 771, 778, 792, 801,
D21/803, 804, 805, 806, 807, 808, 810,
D21/814, 818, 819
CPC A41D 13/0518; A63B 2208/03; A63B
2225/605; A63B 31/00; A63B 31/10;
A63B 69/14; A63B 21/66; A63B 31/11;
B63C 11/02
See application file for complete search history.

OTHER PUBLICATIONS

<https://www.wibitsports.com/open-water/all-products/228/quarterpipe>—Retrieved Dec. 17, 2017.*
<https://www.youtube.com/watch?v=RoEekt0Cf9M>—Published Oct. 6, 2016.*

* cited by examiner

Primary Examiner — Manpreet S Matharu
Assistant Examiner — Mojtaba Tehrani
(74) *Attorney, Agent, or Firm* — Arent Fox LLP

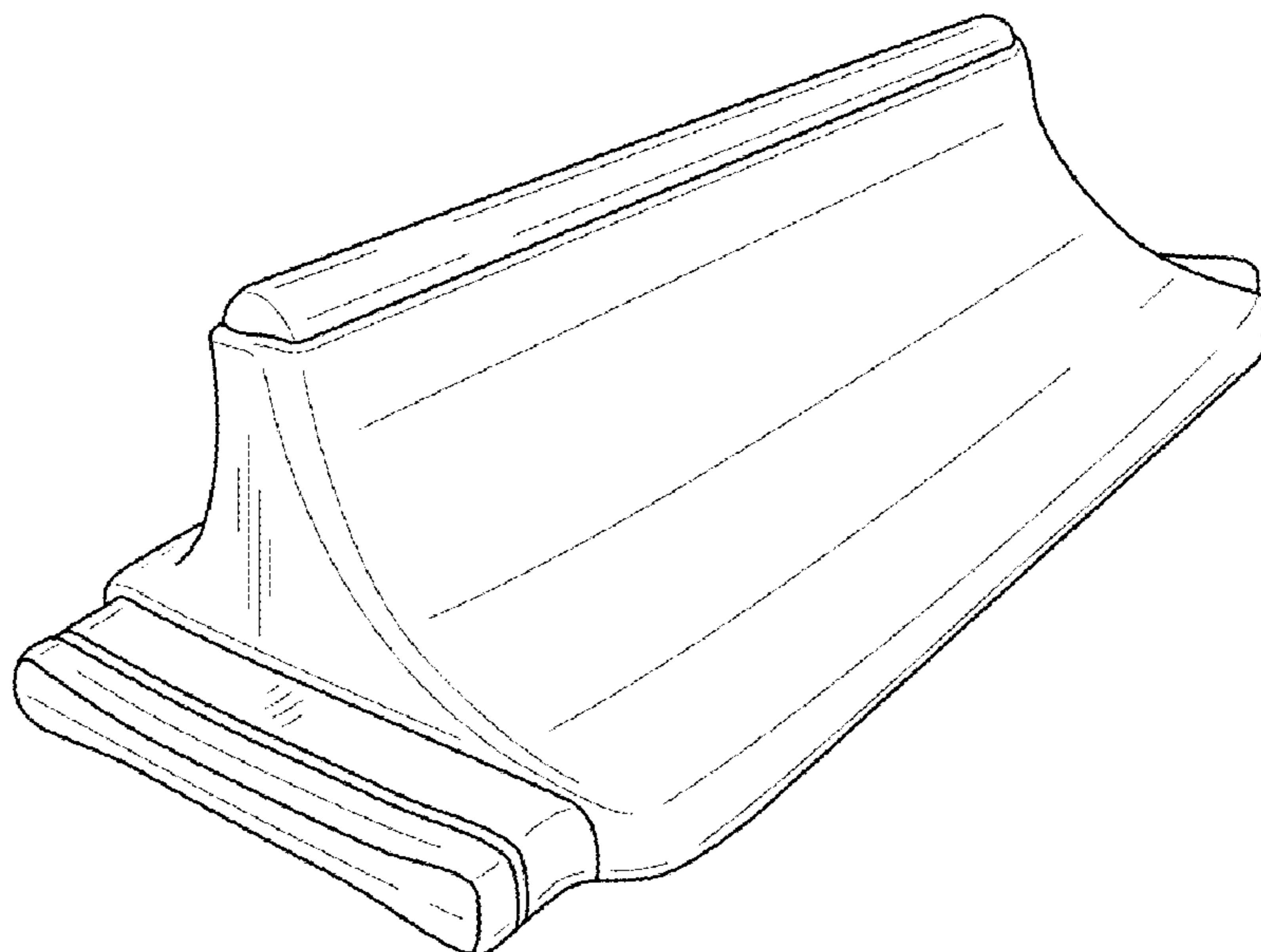
(56) **References Cited**
U.S. PATENT DOCUMENTS
D390,298 S * 2/1998 Ince 5/633
D417,481 S * 12/1999 Schwartz D12/401

(57) **CLAIM**
The ornamental design for a recreational device, as shown and described.

DESCRIPTION

FIG. 1 is perspective view of the recreational device showing our new design;
FIG. 2 is a front view of the design shown in FIG. 1;
FIG. 3 is a back view of the design shown in FIG. 1;
FIG. 4 is a right side view of the design shown in FIG. 1;
FIG. 5 is a left side view of the design shown in FIG. 1;
FIG. 6 is a top view of the design shown in FIG. 1; and,
FIG. 7 is a bottom view of the design shown in FIG. 1.

1 Claim, 7 Drawing Sheets



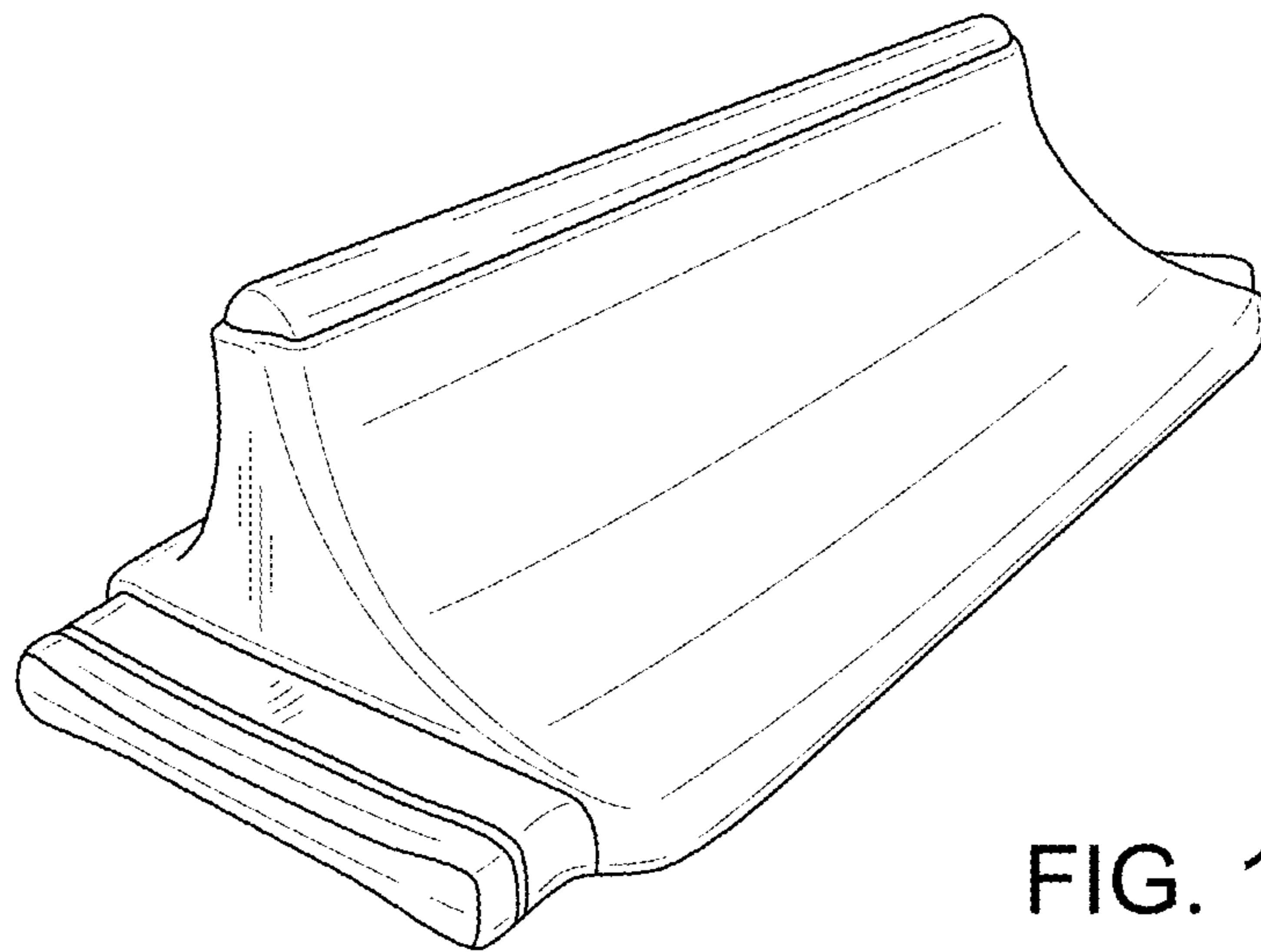


FIG. 1

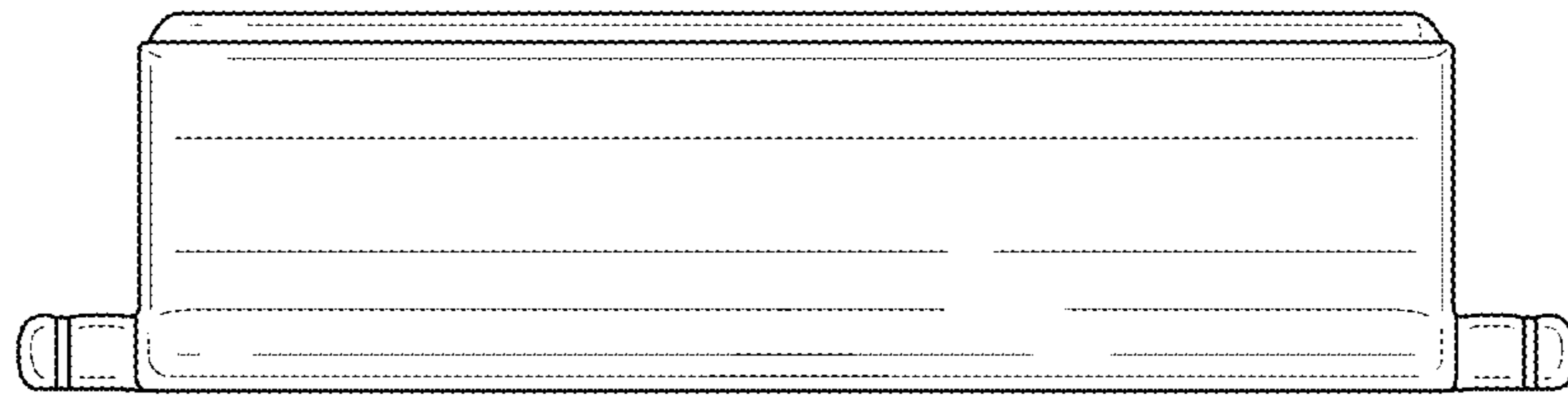


FIG. 2

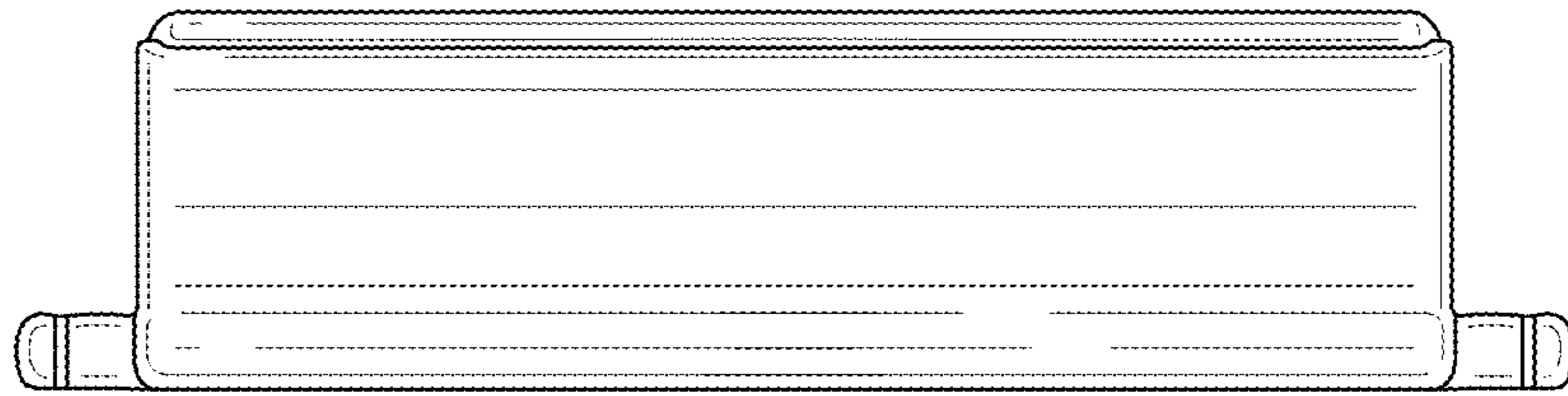


FIG. 3

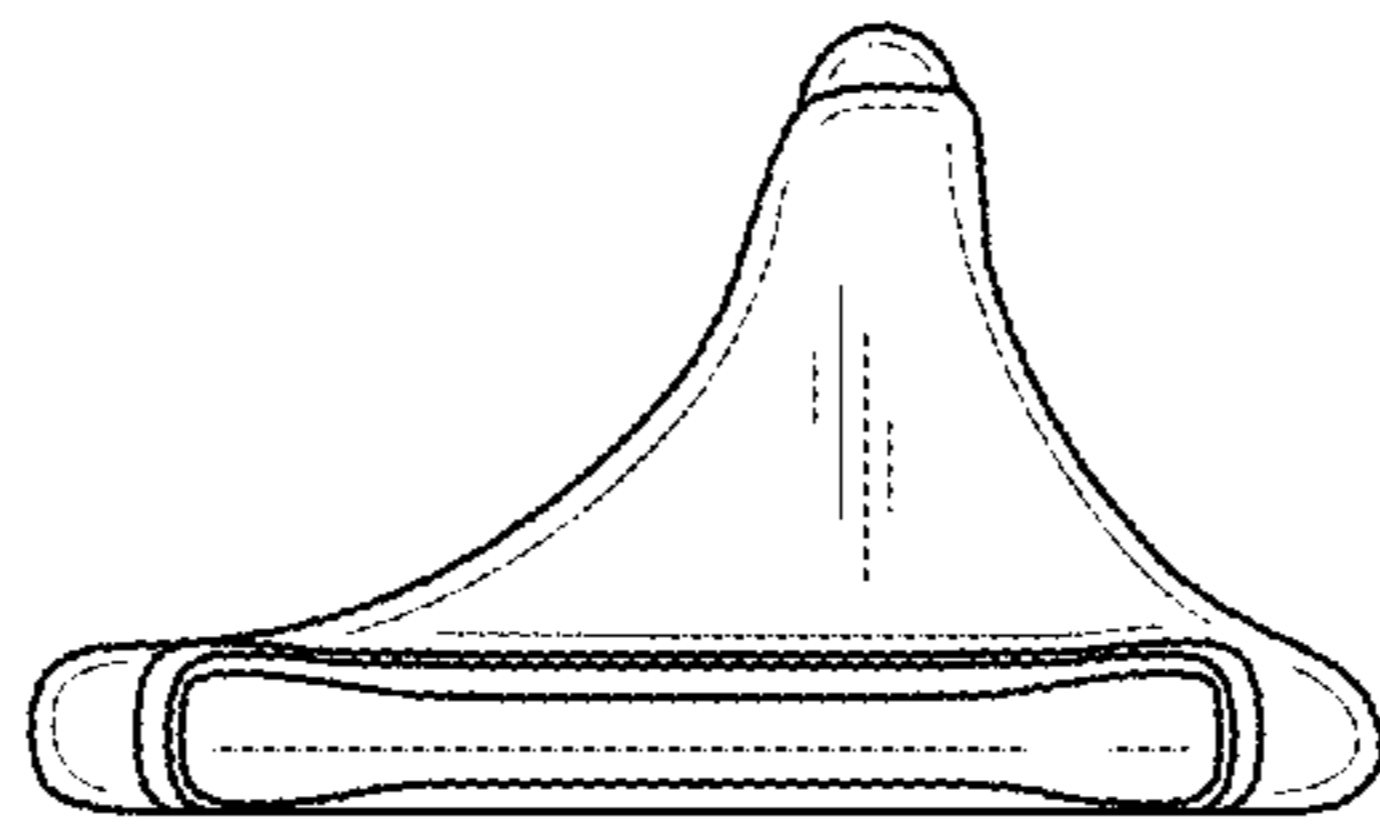


FIG. 4

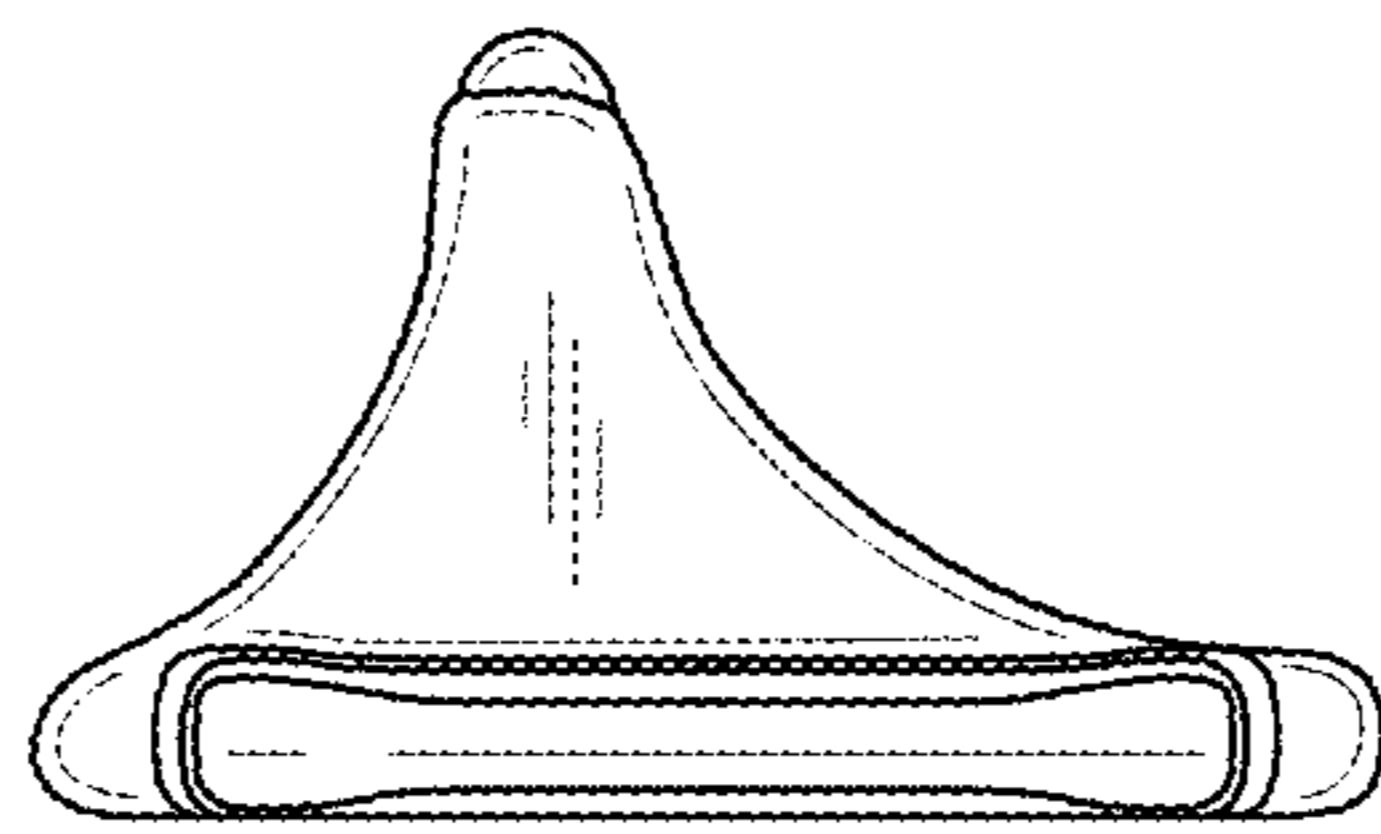


FIG. 5

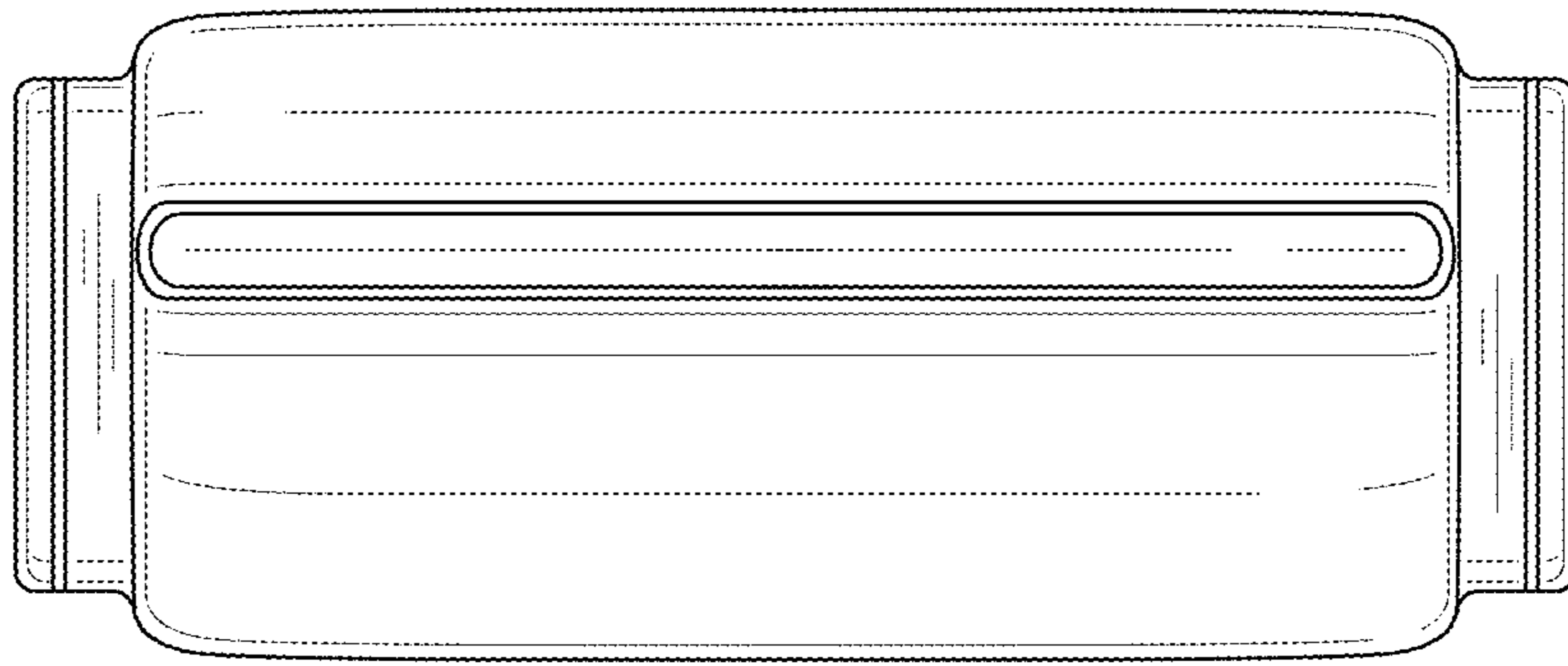


FIG. 6

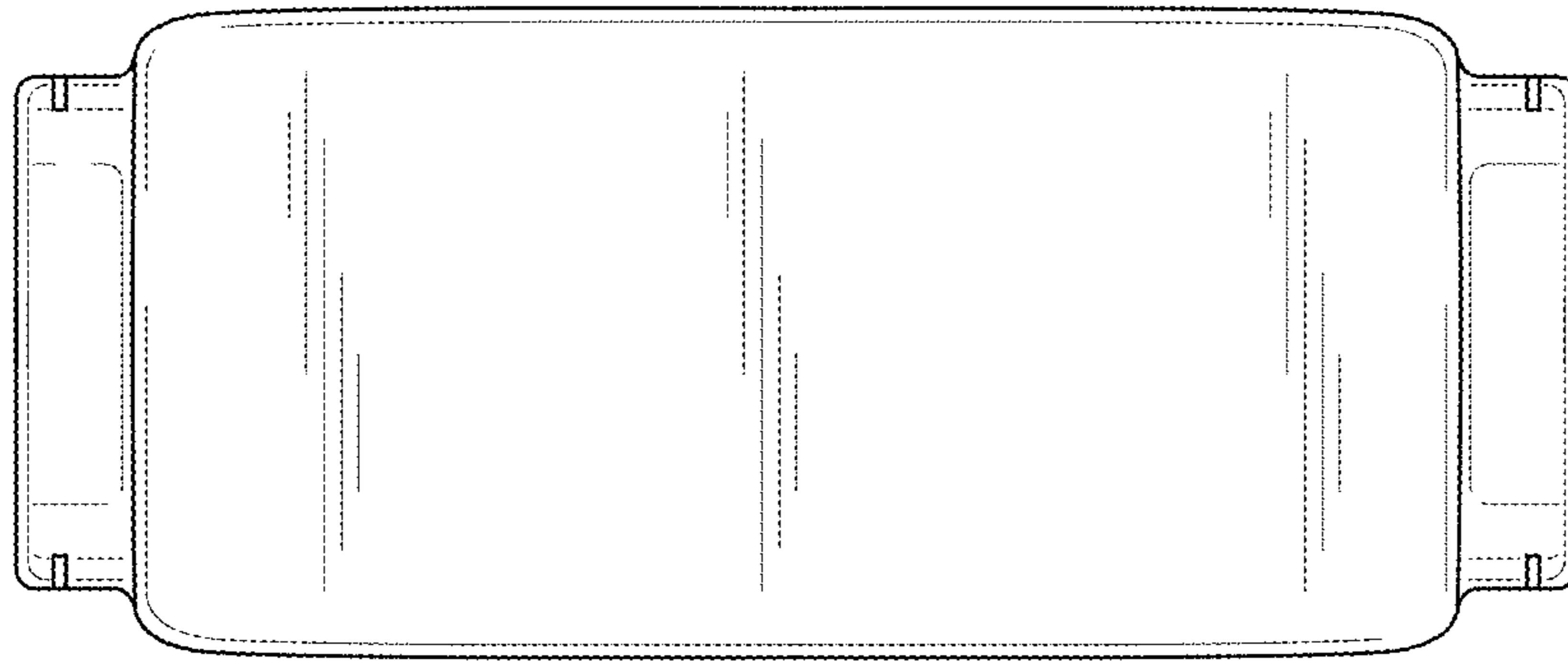


FIG. 7